



US00D934644S

(12) **United States Design Patent**
Lindoro et al.

(10) **Patent No.:** **US D934,644 S**

(45) **Date of Patent:** **** Nov. 2, 2021**

(54) **POWER TOOL**

(71) Applicant: **ATLAS COPCO INDUSTRIAL
TECHNIQUE AB**, Stockholm (SE)

(72) Inventors: **Francisco Lindoro**, Stockholm (SE);
Henrik Sohlman, Skogås (SE)

(73) Assignee: **ATLAS COPCO INDUSTRIAL
TECHNIQUE AB**, Stockholm (SE)

(**) Term: **15 Years**

(21) Appl. No.: **29/731,625**

(22) Filed: **Apr. 16, 2020**

(30) **Foreign Application Priority Data**

Oct. 17, 2019 (EM) 007038625-0003
Oct. 17, 2019 (EM) 007038625-0004

(51) **LOC (13) Cl.** **08-05**

(52) **U.S. Cl.**
USPC **D8/68**

(58) **Field of Classification Search**
USPC D8/61, 67, 68
CPC B62D 23/005; B62D 29/00; B62D 29/043;
B62D 31/00; B62D 33/046; B62D 35/00;
B62D 35/001; B60Q 1/0005
See application file for complete search history.

(56) **References Cited**

U.S. PATENT DOCUMENTS

5,083,619 A * 1/1992 Giardino B25B 21/02
173/104
5,100,023 A * 3/1992 Varian B21J 15/105
221/239
D403,564 S * 1/1999 Izumisawa D8/68
6,158,528 A 12/2000 Izumisawa
6,276,037 B1 * 8/2001 Solfronk B21J 15/105
29/243.525

D461,110 S * 8/2002 Izumisawa D8/68
D462,883 S * 9/2002 Steiner D8/68
D468,605 S 1/2003 Morgan
D484,380 S 12/2003 Chen
D497,787 S * 11/2004 Liao D8/68
6,883,619 B1 * 4/2005 Huang B25B 21/02
173/168
6,978,526 B1 * 12/2005 Lin B21J 15/105
29/243.525
D515,377 S * 2/2006 Chung D8/68
D521,339 S * 5/2006 Chen D8/68

(Continued)

OTHER PUBLICATIONS

Design U.S. Appl. No. 29/731,632; First Named Inventor: Francisco Lindoro; filed Apr. 16, 2020; Title: "Power Tool".

(Continued)

Primary Examiner — Darlington Ly

(74) *Attorney, Agent, or Firm* — Holtz, Holtz & Volek PC

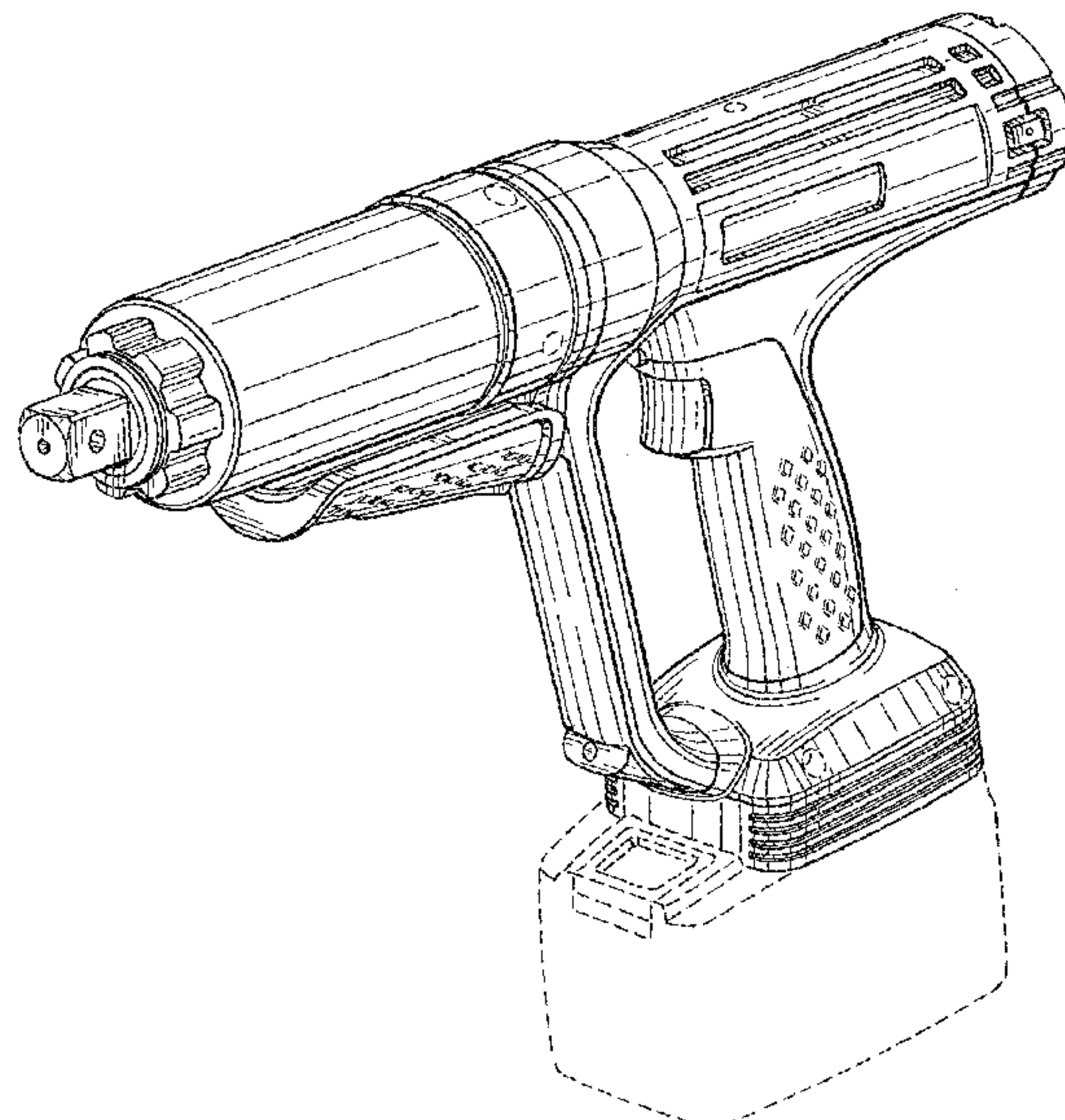
(57) **CLAIM**

The ornamental design for a power tool, as shown and described.

DESCRIPTION

The entire contents of U.S. application Ser. No. 29/731,632, filed on Apr. 16, 2020, are incorporated herein by reference. FIG. 1 is a front, top, right side perspective view of a power tool showing our new design; FIG. 2 is a right side elevational view thereof; FIG. 3 is a left side elevational view thereof; FIG. 4 is a top plan view thereof; FIG. 5 is a bottom plan view thereof; FIG. 6 is a rear elevational view thereof; FIG. 7 is a front elevational view thereof; and, FIG. 8 is a rear, top, right side perspective view thereof. The broken lines in the drawings illustrate portions of the power tool that form no part of the claimed design.

1 Claim, 6 Drawing Sheets



(56)

References Cited

U.S. PATENT DOCUMENTS

D525,500 S 7/2006 Chen
 7,082,657 B1 * 8/2006 Lin B21J 15/043
 29/243.523
 7,284,404 B2 * 10/2007 Lin B25B 27/0014
 29/243.525
 D583,209 S 12/2008 Shyeh
 D590,679 S 4/2009 Enriquez et al.
 7,673,702 B2 * 3/2010 Johnson B25B 21/00
 173/93
 7,818,858 B2 * 10/2010 Daniels F16G 3/16
 29/243.51
 D664,413 S * 7/2012 Steinfels D8/68
 D682,647 S 5/2013 Yaschur
 D682,648 S 5/2013 Yaschur
 8,443,512 B2 * 5/2013 Masugata B21J 15/043
 29/715
 D696,091 S 12/2013 Yaschur
 D696,092 S 12/2013 Yaschur
 D716,125 S * 10/2014 Yaschur D8/68
 D775,919 S * 1/2017 Lee D8/68
 D833,846 S * 11/2018 Mori D8/68

D839,708 S * 2/2019 Croghan D8/68
 D879,575 S 3/2020 Liu
 D887,239 S 6/2020 Nyström et al.
 D899,208 S * 10/2020 Thompson D8/68
 D899,209 S * 10/2020 Thompson D8/68
 D899,210 S * 10/2020 Thompson D8/68
 D906,076 S * 12/2020 James D8/68
 D913,066 S 3/2021 Wang
 2006/0096767 A1 5/2006 Miller
 2010/0139432 A1 6/2010 Steckel et al.

OTHER PUBLICATIONS

Design U.S. Appl. No. 29/731,637 First Named Inventor: Apurba Pawar; filed Apr. 16, 2020; Title: "Power Tool".
 Design U.S. Appl. No. 29/731,640; First Named Inventor: Apurba Pawar; filed Apr. 16, 2020; Title: "Power Tool".
 Notice of Allowance dated Jun. 30, 2021 issued in related U.S. Appl. No. 29/731,637.
 Notice of Allowance dated Jun. 30, 2021 issued in related U.S. Appl. No. 29/731,640.

* cited by examiner

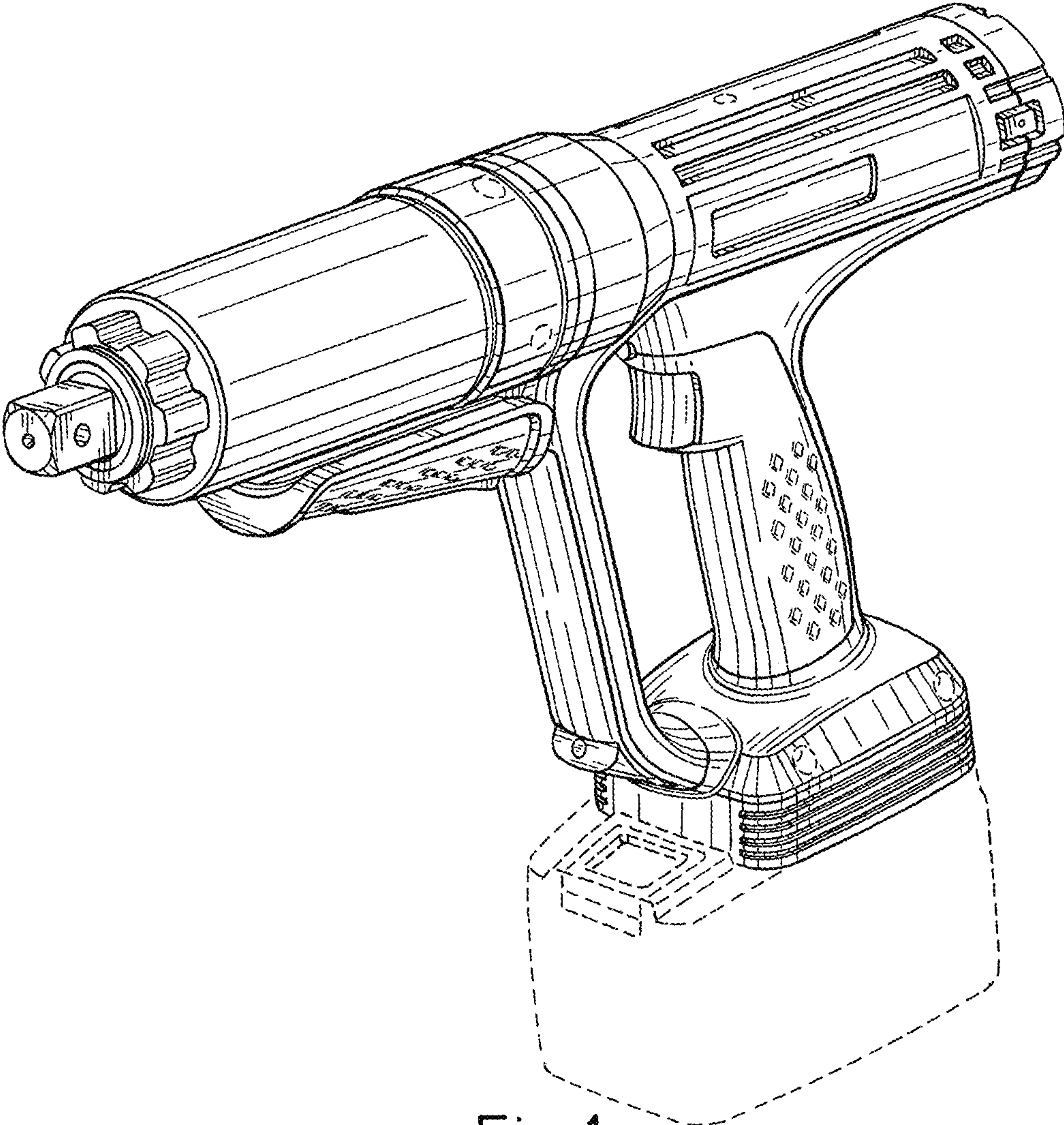


Fig. 1

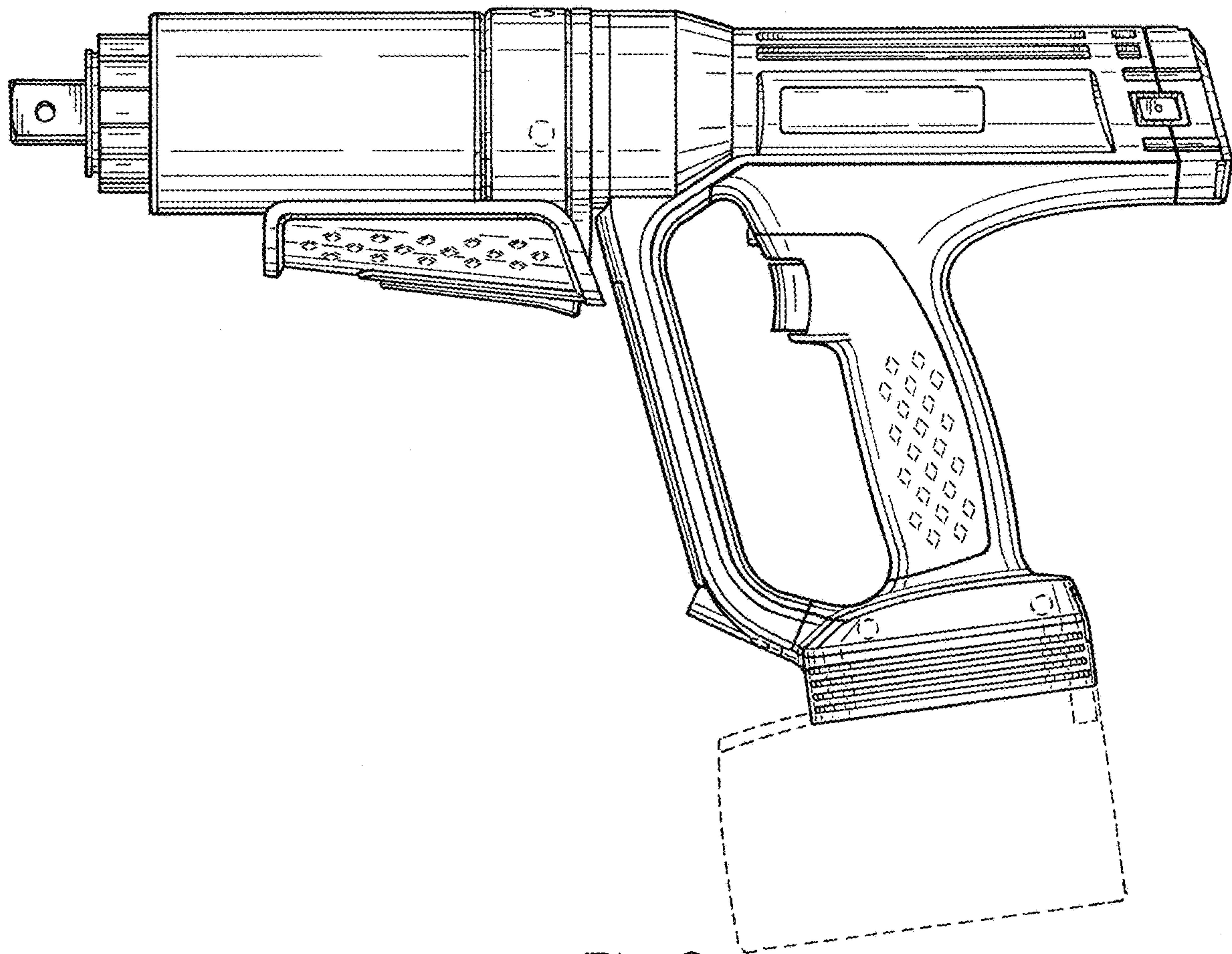


Fig. 2

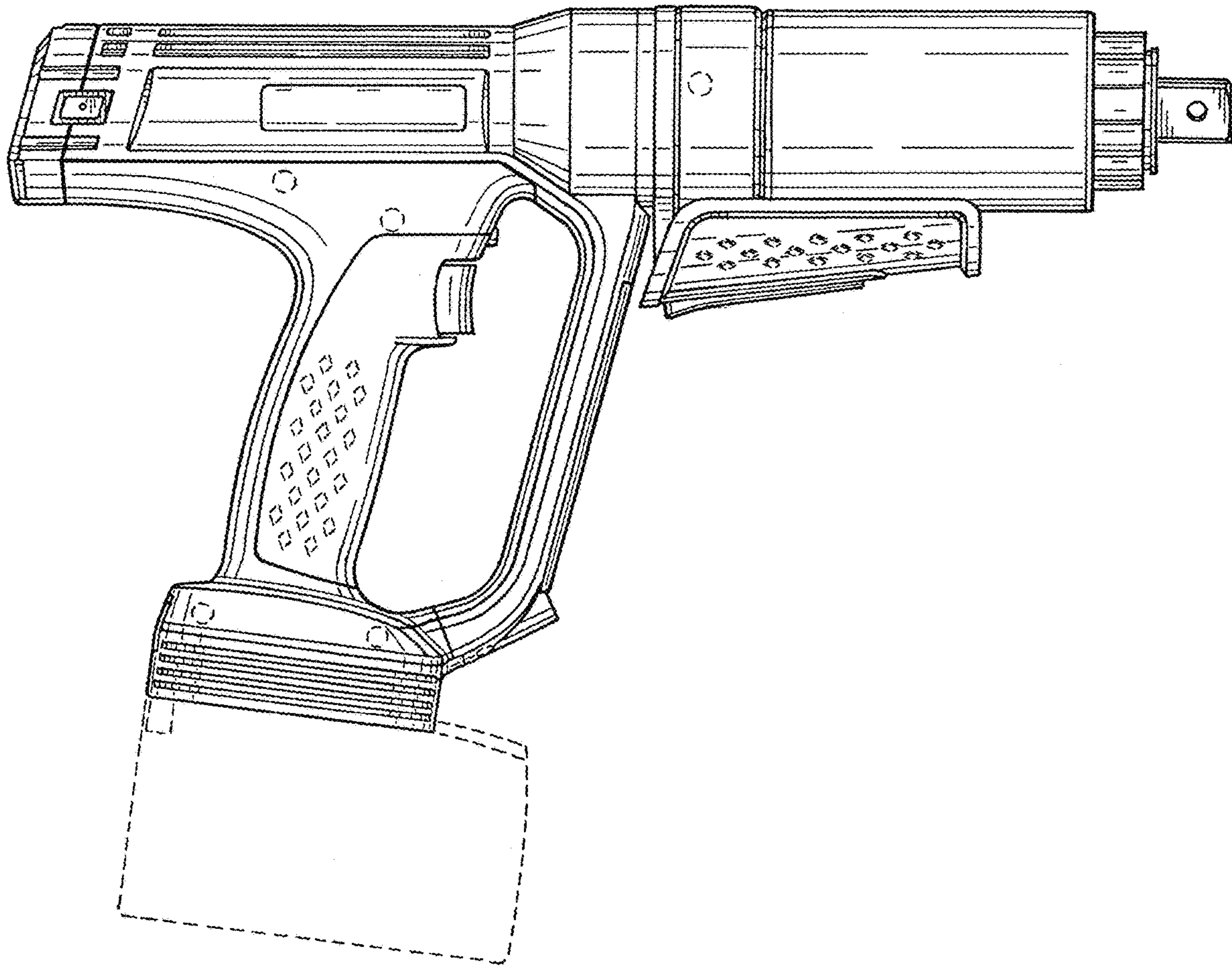


Fig. 3

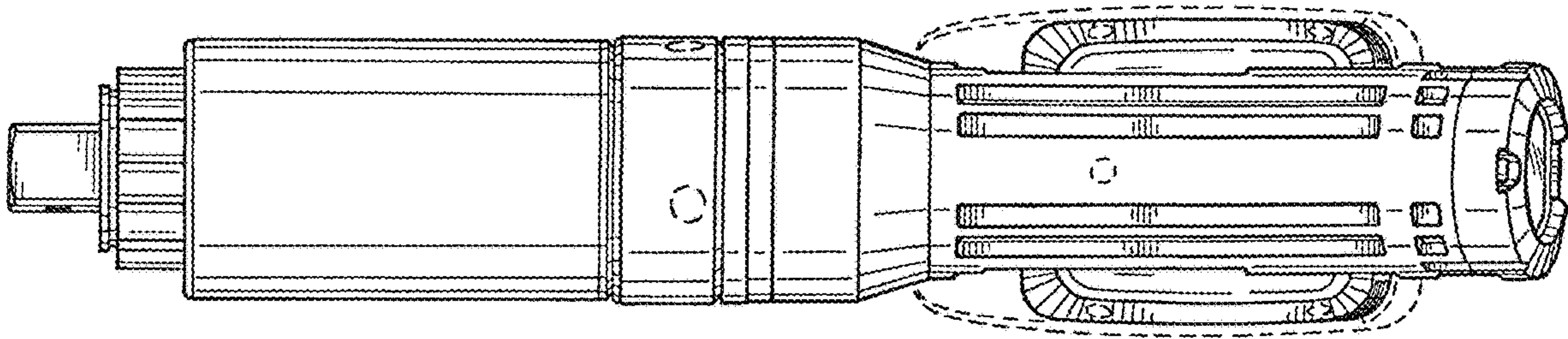


Fig. 4

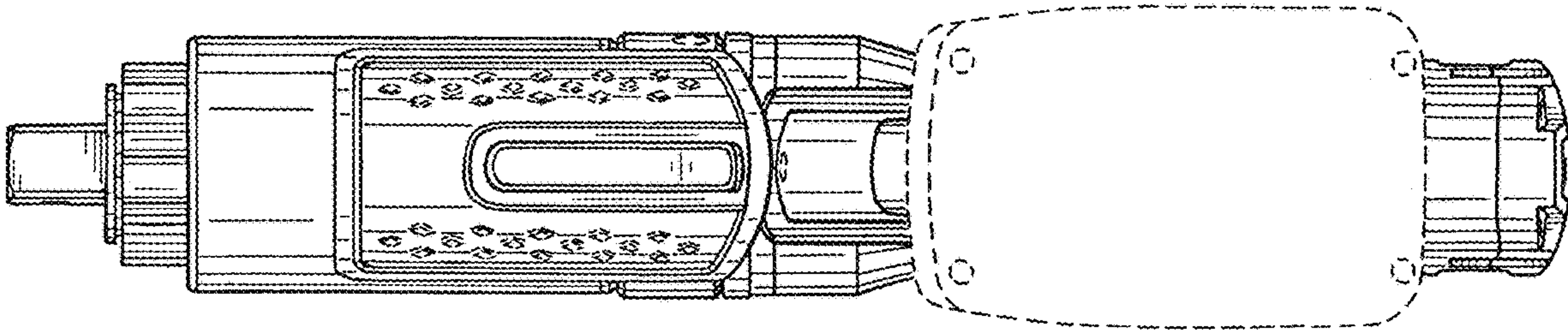


Fig. 5

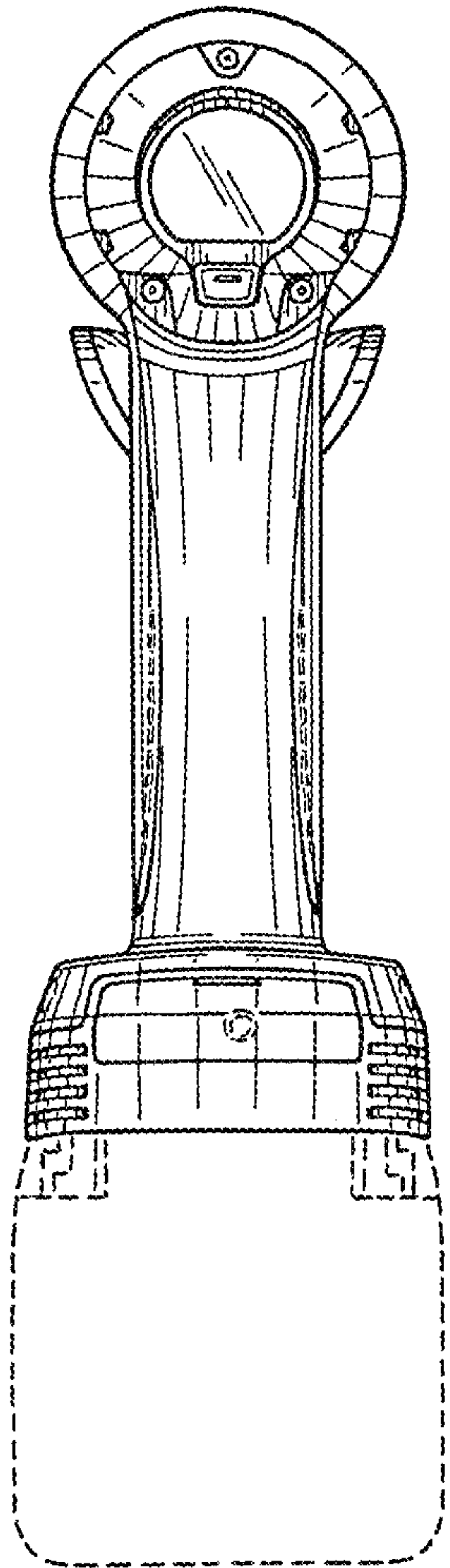


Fig. 6

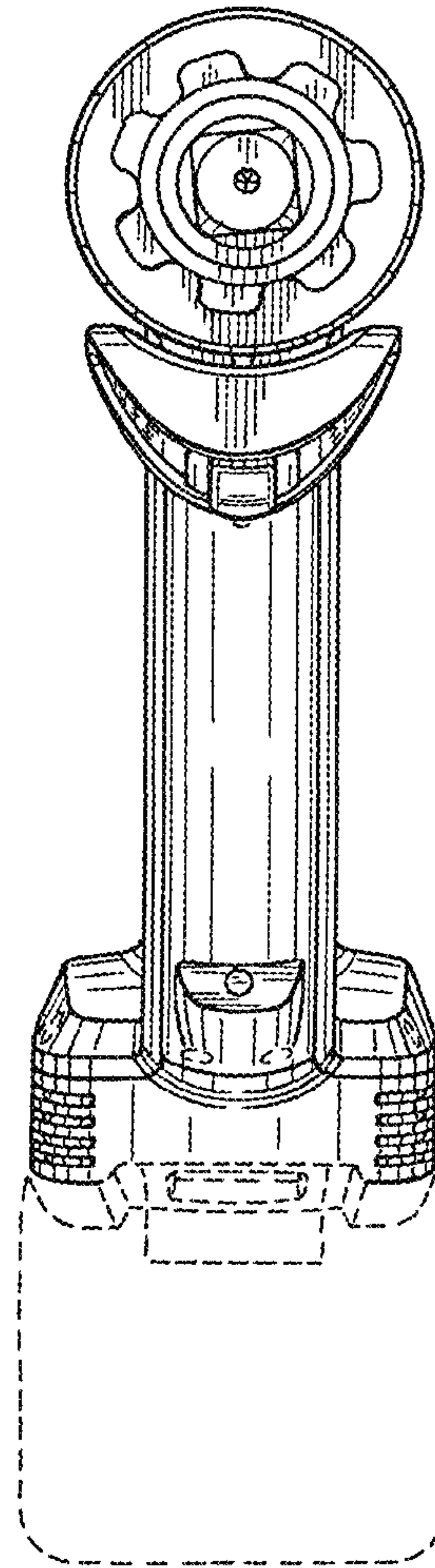


Fig. 7

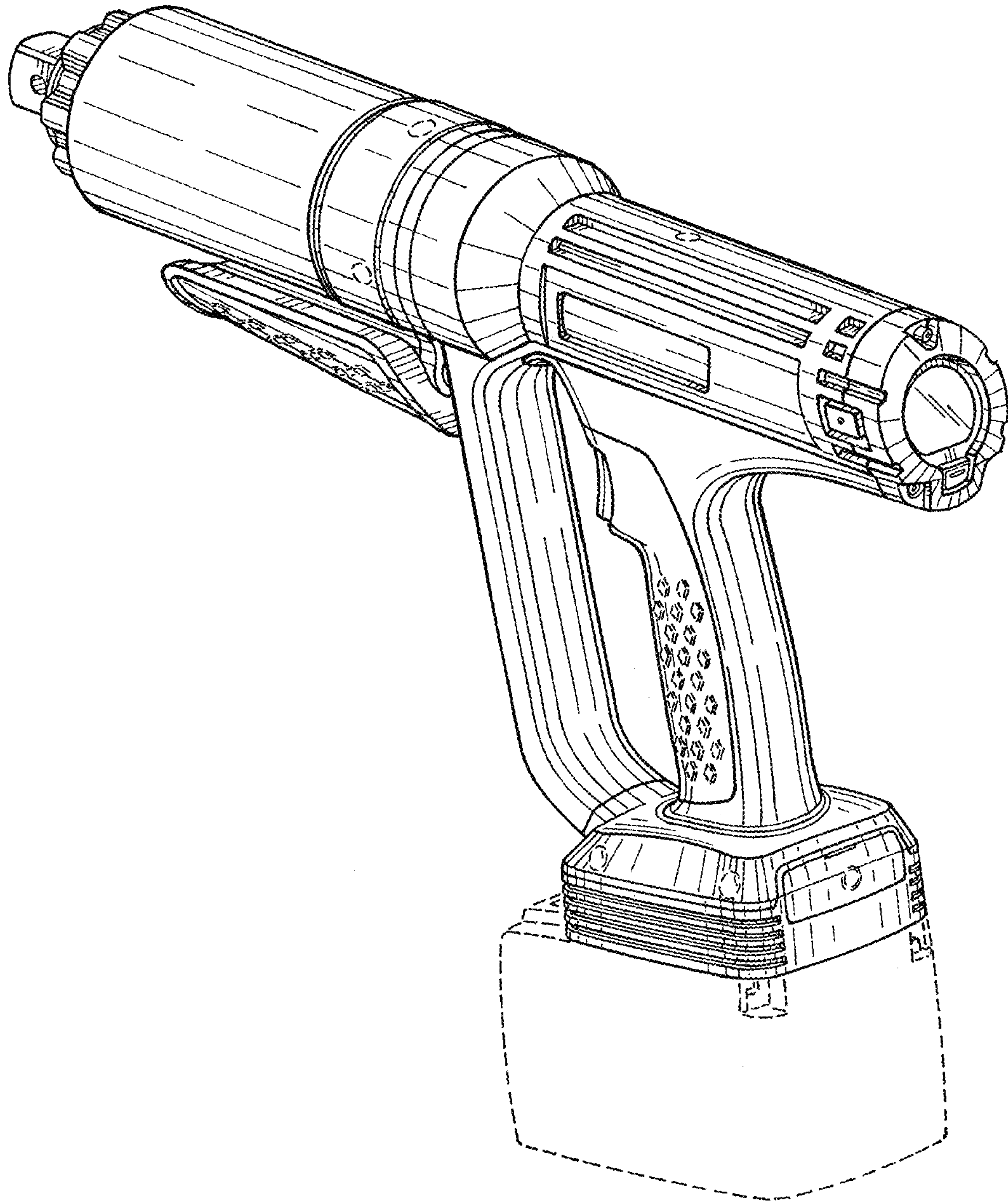


Fig. 8