



US00D934643S

(12) **United States Design Patent** (10) **Patent No.:** **US D934,643 S**
Owens (45) **Date of Patent:** **** Nov. 2, 2021**

(54) **PLASTER TAPING DEVICE WITH
REMOVABLE ATTACHMENT**

(71) Applicant: **PHAANIX PTY LTD**, Newtown (AU)

(72) Inventor: **Daniel Luke Owens**, Newtown (AU)

(73) Assignee: **PHAANIX PTY LTD**, Newtown (AU)

(**) Term: **15 Years**

(21) Appl. No.: **29/718,308**

(22) Filed: **Dec. 23, 2019**

Related U.S. Application Data

(63) Continuation of application No. 15/792,726, filed on Oct. 24, 2017, now Pat. No. 10,533,326.

(51) **LOC (13) Cl.** **08-05**

(52) **U.S. Cl.**
USPC **D8/45; D8/51**

(58) **Field of Classification Search**
USPC D8/14, 51; D19/67, 68, 69

(Continued)

(56) **References Cited**

U.S. PATENT DOCUMENTS

4,196,028 A 4/1980 Mills
4,197,624 A 4/1980 Lass

(Continued)

FOREIGN PATENT DOCUMENTS

WO 2014202853 A1 12/2014

OTHER PUBLICATIONS

Liard. Uploaded Jun. 22, 2017, "Banjo Zunder delko France Europe". Retrieved from <https://www.youtube.com/watch?v=sxWSHWH3eTY>.

Primary Examiner — Philip S Hyder

(74) *Attorney, Agent, or Firm* — Kinney & Lange, P.A.

(57) **CLAIM**

The ornamental design for a plaster taping device with removable attachment, as shown and described.

DESCRIPTION

FIG. 1 is a right front perspective view of a plaster taping device with removable attachment, showing the new design; FIG. 2 is a left front perspective view thereof; FIG. 3 is a right side elevation view thereof; FIG. 4 is a left side elevation view thereof; FIG. 5 is a rear elevation view thereof; FIG. 6 is a front elevation view thereof; FIG. 7 is a top plan view thereof; FIG. 8 is a bottom plan view thereof; FIG. 9 is a right front perspective view of the removable attachment portion of the design; FIG. 10 is a left front perspective view of the removable attachment portion of the design; FIG. 11 is a right side view of the removable attachment portion of the design; FIG. 12 is a left side view of the removable attachment portion of the design; FIG. 13 is a front view of the removable attachment portion of the design; FIG. 14 is a rear view of the removable attachment portion of the design; FIG. 15 is a top view of the removable attachment portion of the design; FIG. 16 is a bottom view of the removable attachment portion of the design; FIG. 17 is a right front perspective view of the plaster taping device, wherein the removable attachment is omitted; FIG. 18 is a left front perspective view of the plaster taping device, wherein the removable attachment is omitted; FIG. 19 is a right side view of the plaster taping device, wherein the removable attachment is omitted; FIG. 20 is a left side view of the plaster taping device, wherein the removable attachment is omitted; FIG. 21 is a front view of the plaster taping device, wherein the removable attachment is omitted;

(Continued)

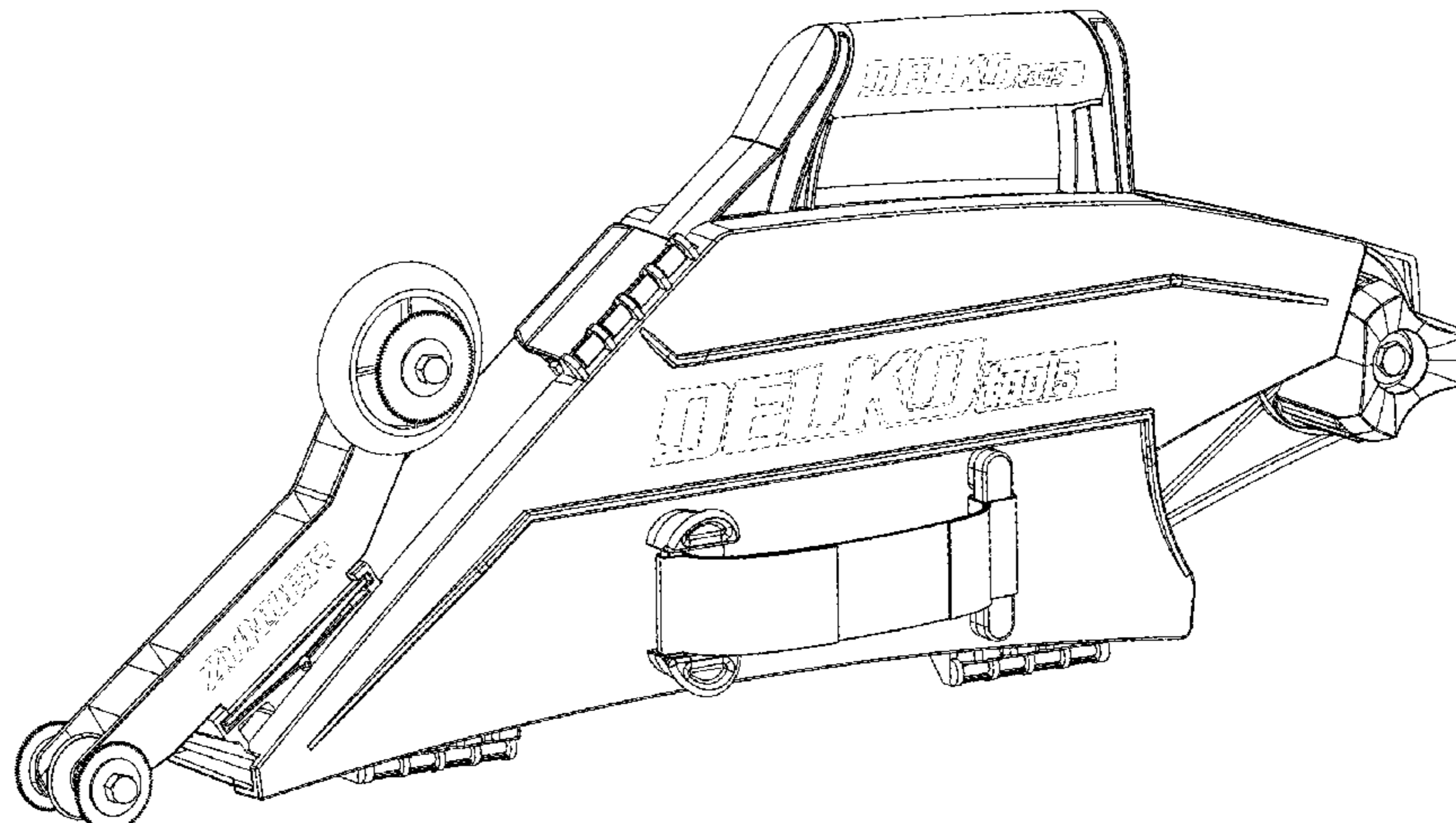


FIG. 22 is a rear view of the plaster taping device, wherein the removable attachment is omitted;
 FIG. 23 is a top view of the plaster taping device, wherein the removable attachment is omitted; and,
 FIG. 24 is a bottom view of the plaster taping device, wherein the removable attachment is omitted.
 The broken lines depict portions of the “plaster taping device with removable attachment” in which the design is embodied that are not considered part of the claimed design.

1 Claim, 24 Drawing Sheets

(58) **Field of Classification Search**

CPC E04F 13/068; E04F 21/08; E04F 21/0084;
 E04F 13/042; E04F 21/16; E04F 21/1657
 See application file for complete search history.

(56)

References Cited

U.S. PATENT DOCUMENTS

4,406,730	A *	9/1983	Altmix	B65H 35/0033
				156/574
4,451,223	A	5/1984	Mower et al.	
5,114,527	A	5/1992	Stern	
D331,354	S *	12/1992	Stern	D19/67
5,814,184	A	9/1998	Denkins	
6,367,534	B1 *	4/2002	McGlenn	B44C 7/02
				118/405
6,540,002	B1	4/2003	Edwards et al.	
6,668,897	B2 *	12/2003	Gunn	B65H 35/0053
				156/574
8,955,573	B2	2/2015	Owens	
10,308,468	B1 *	6/2019	Wedekind	B65H 35/0053
10,458,129	B1 *	10/2019	Wedekind	B65H 35/0033
10,683,673	B2 *	6/2020	Chin-Chen	B44D 3/00
2003/0066611	A1	4/2003	Gunn	
2010/0288443	A1	11/2010	Tucker	
2019/0119931	A1 *	4/2019	Owens	E04F 21/08

* cited by examiner

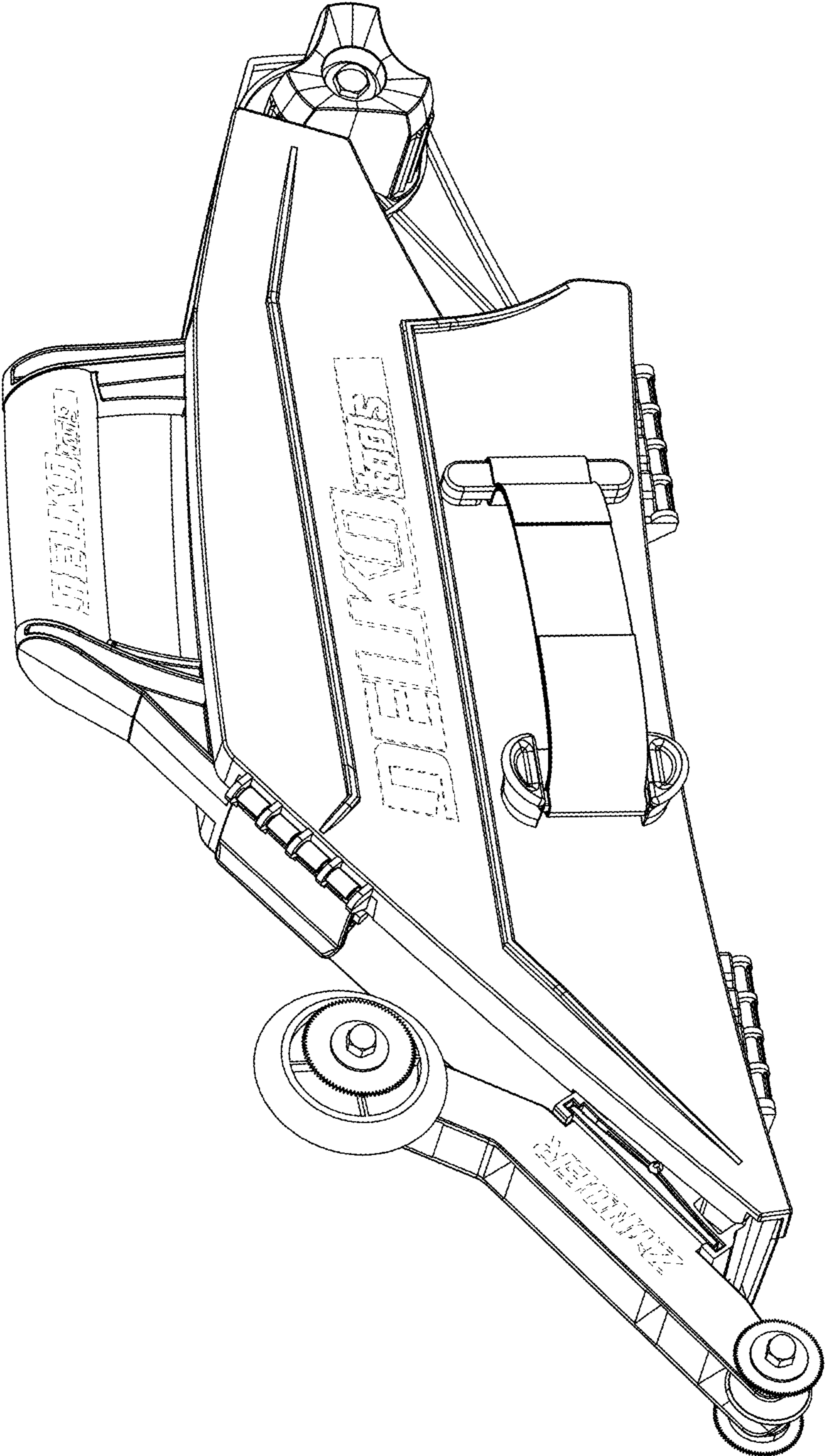


FIG.1

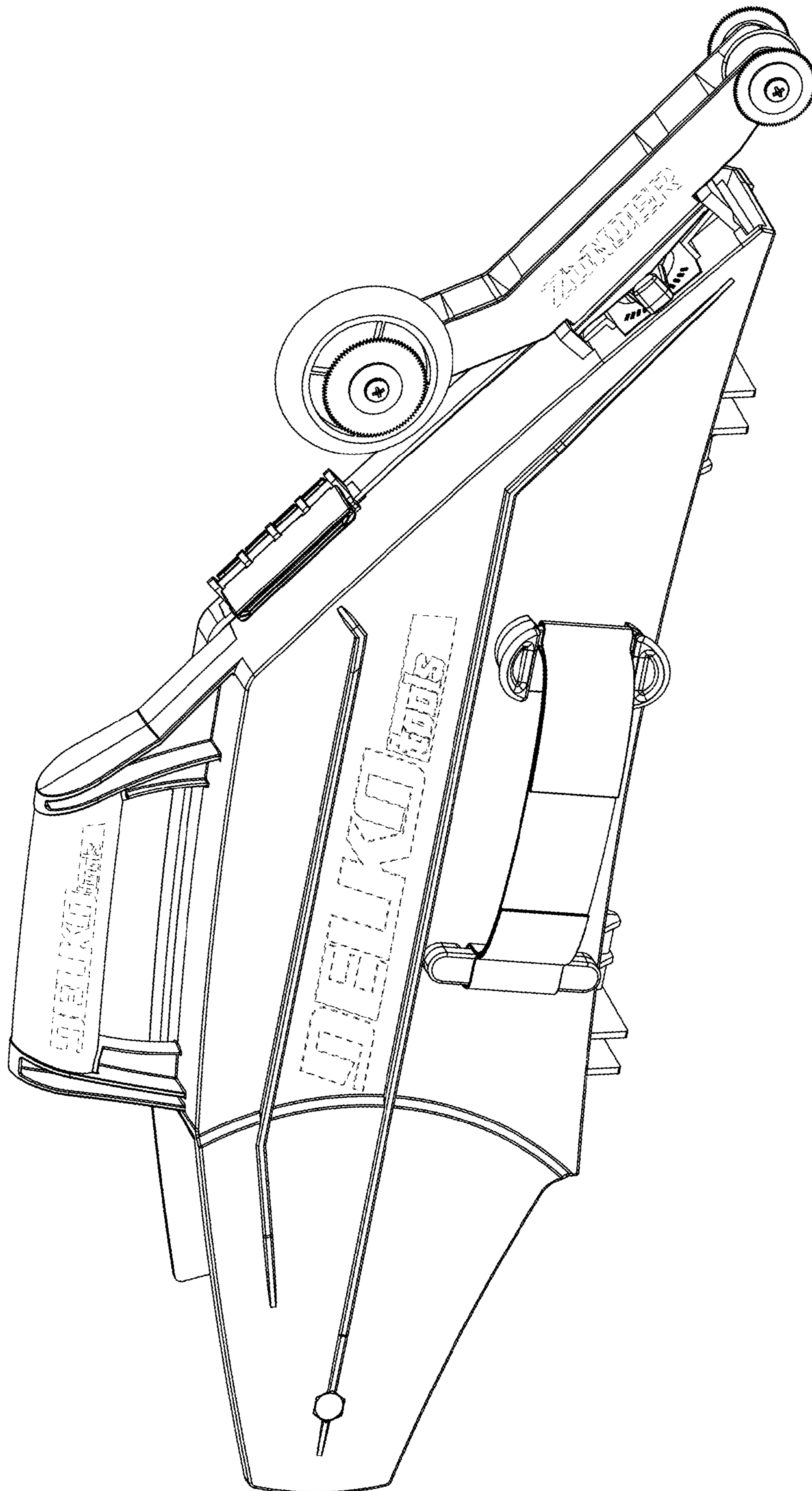


FIG.2

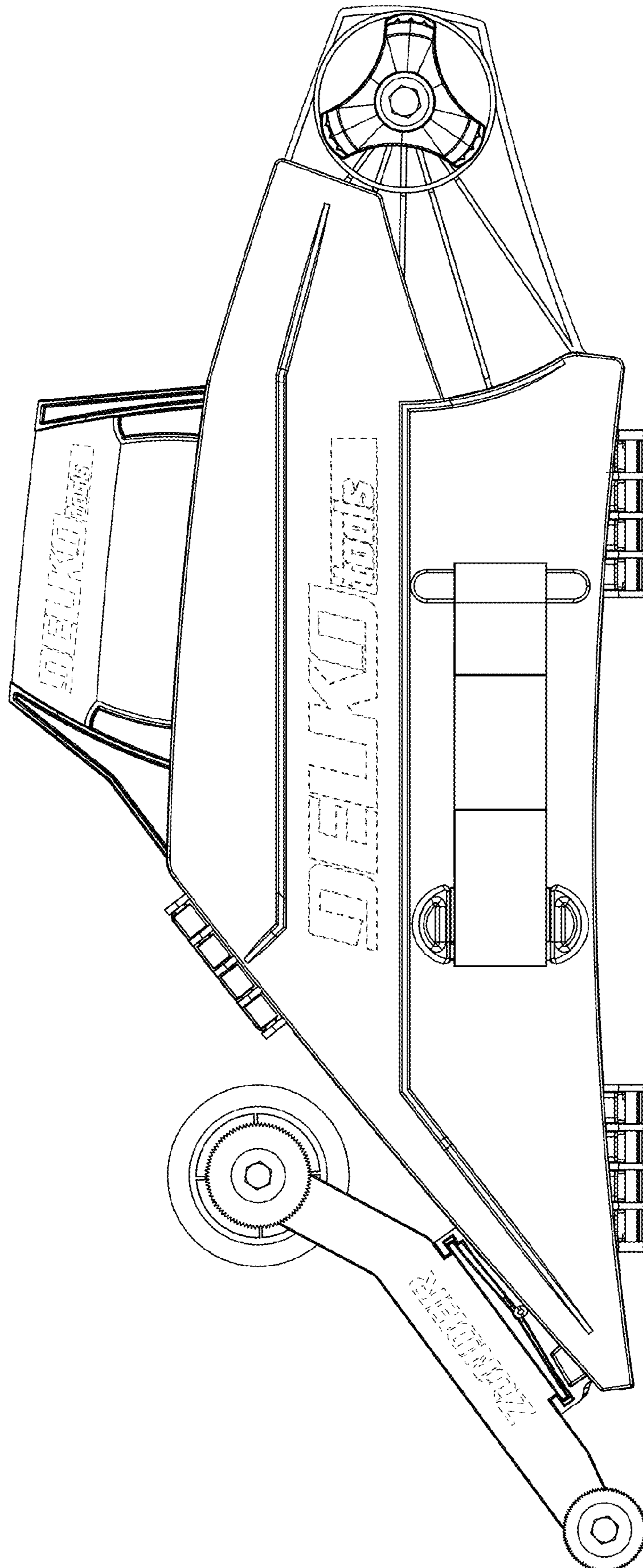


FIG. 3

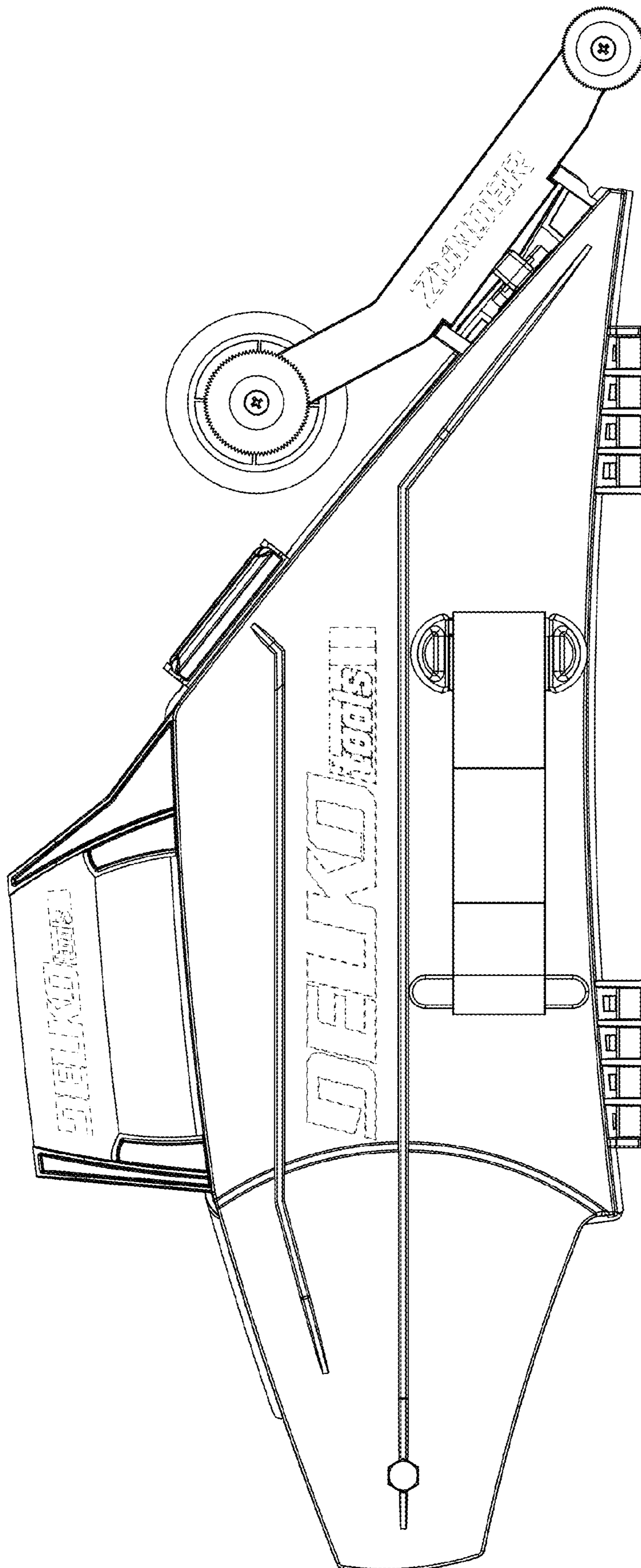


FIG.4

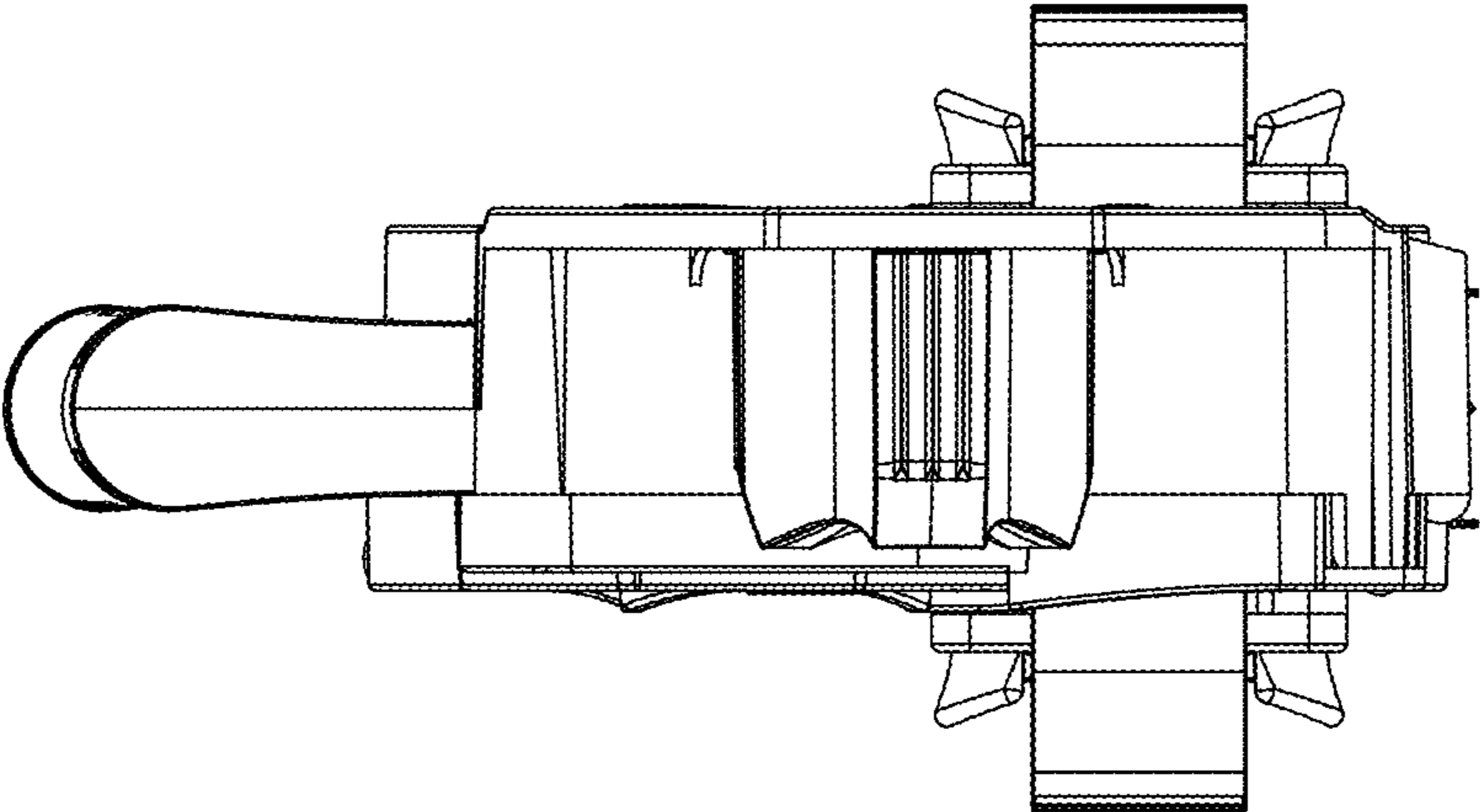


FIG. 5

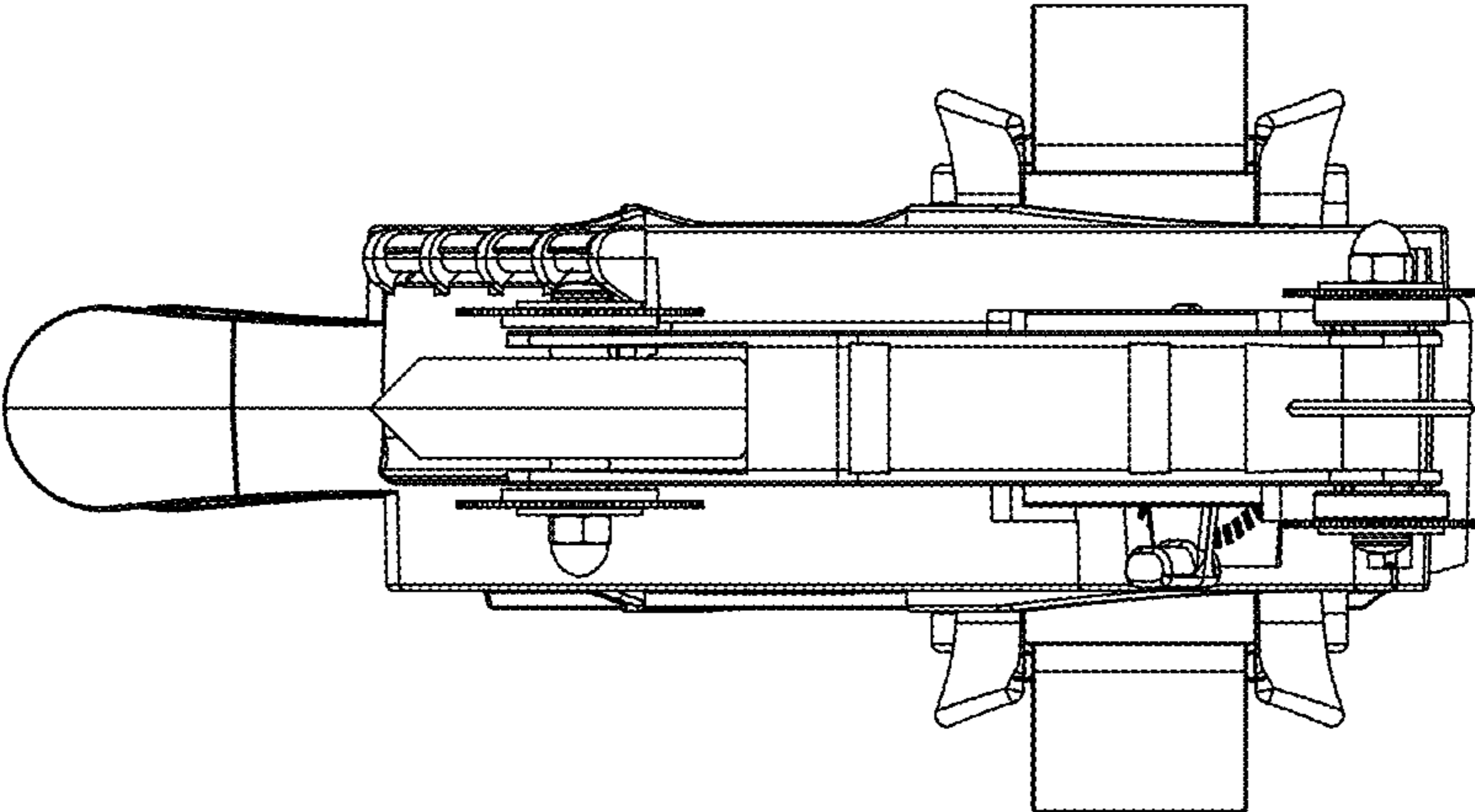


FIG.6

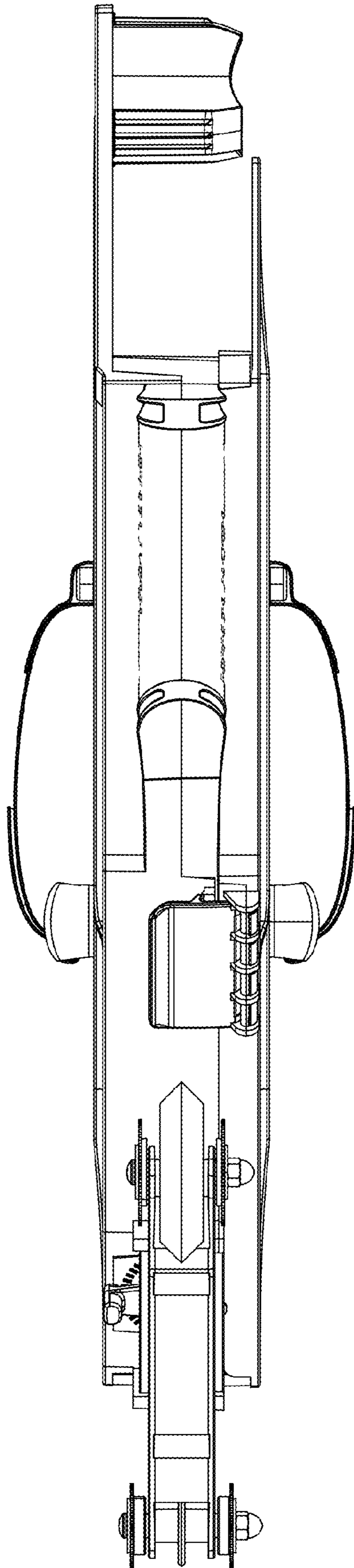


FIG. 7

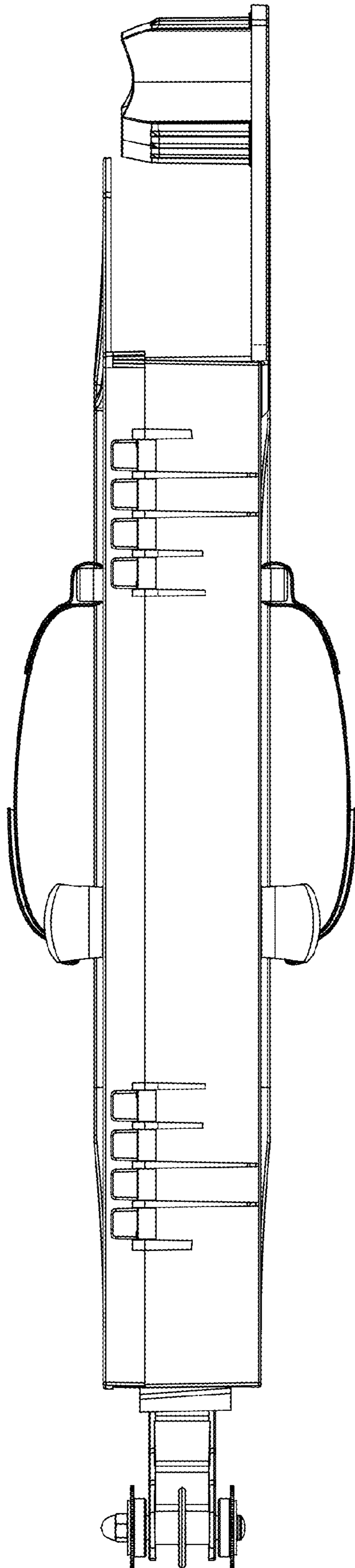


FIG. 8

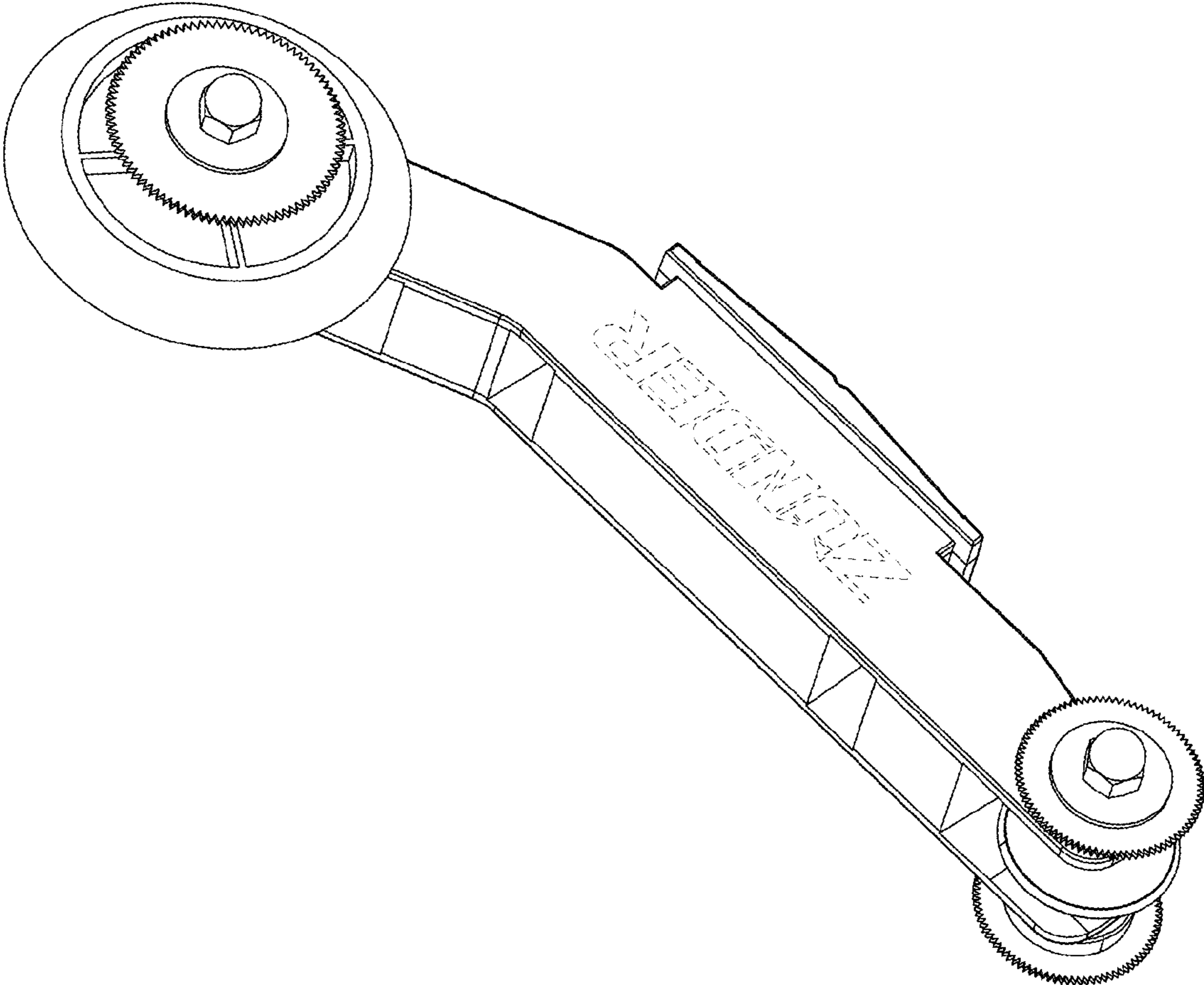


FIG. 9

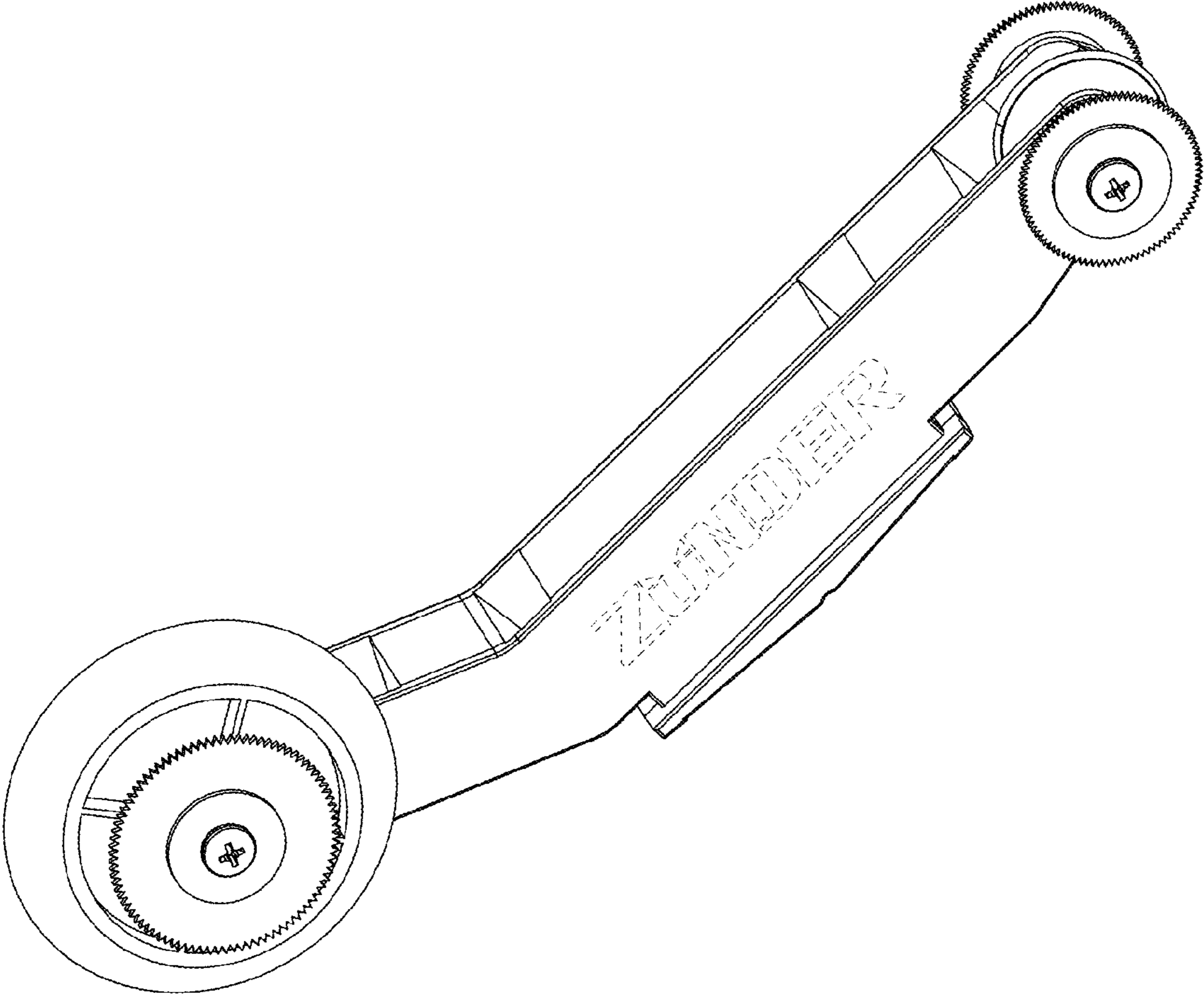


FIG. 10

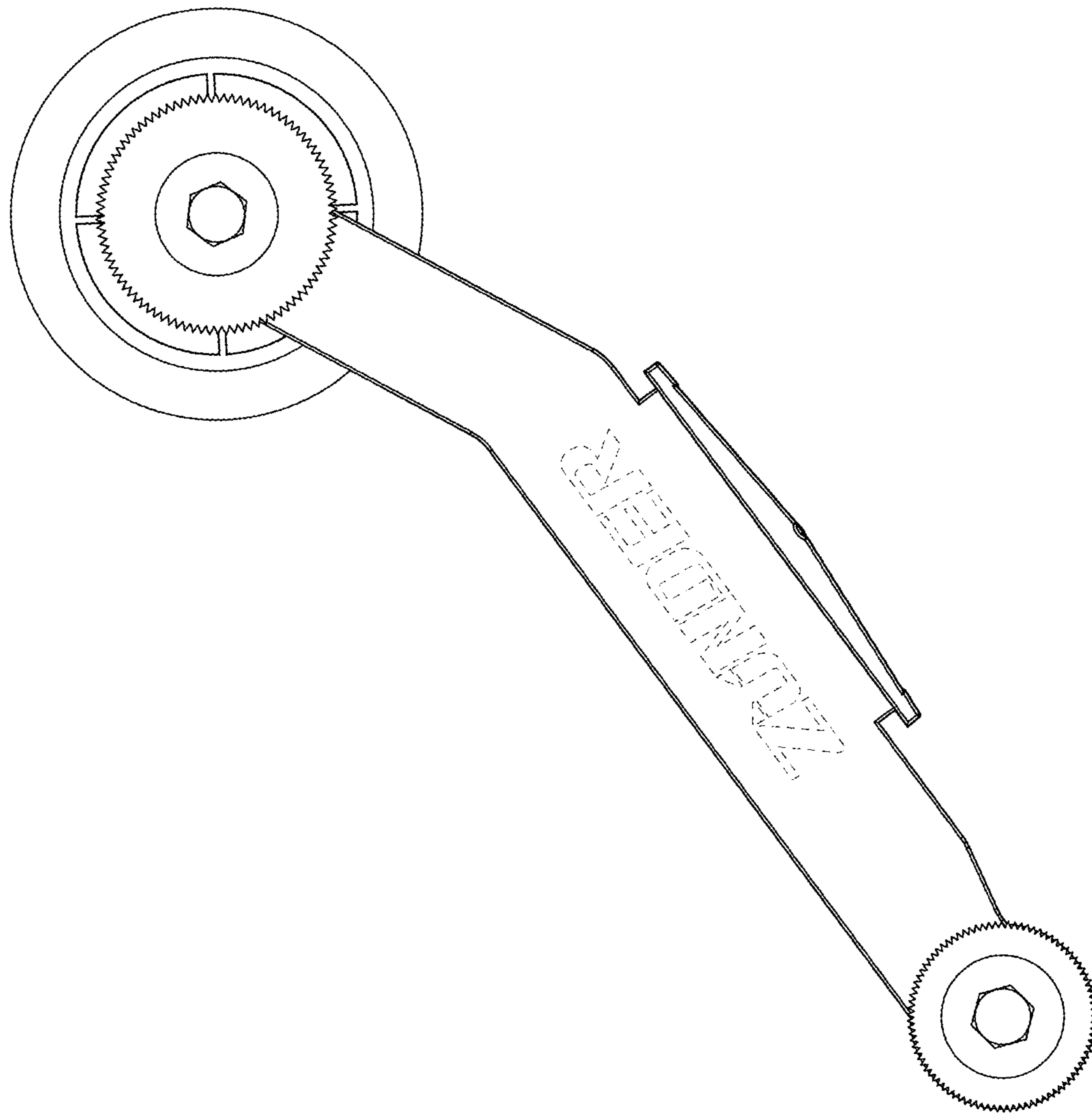


FIG. 11

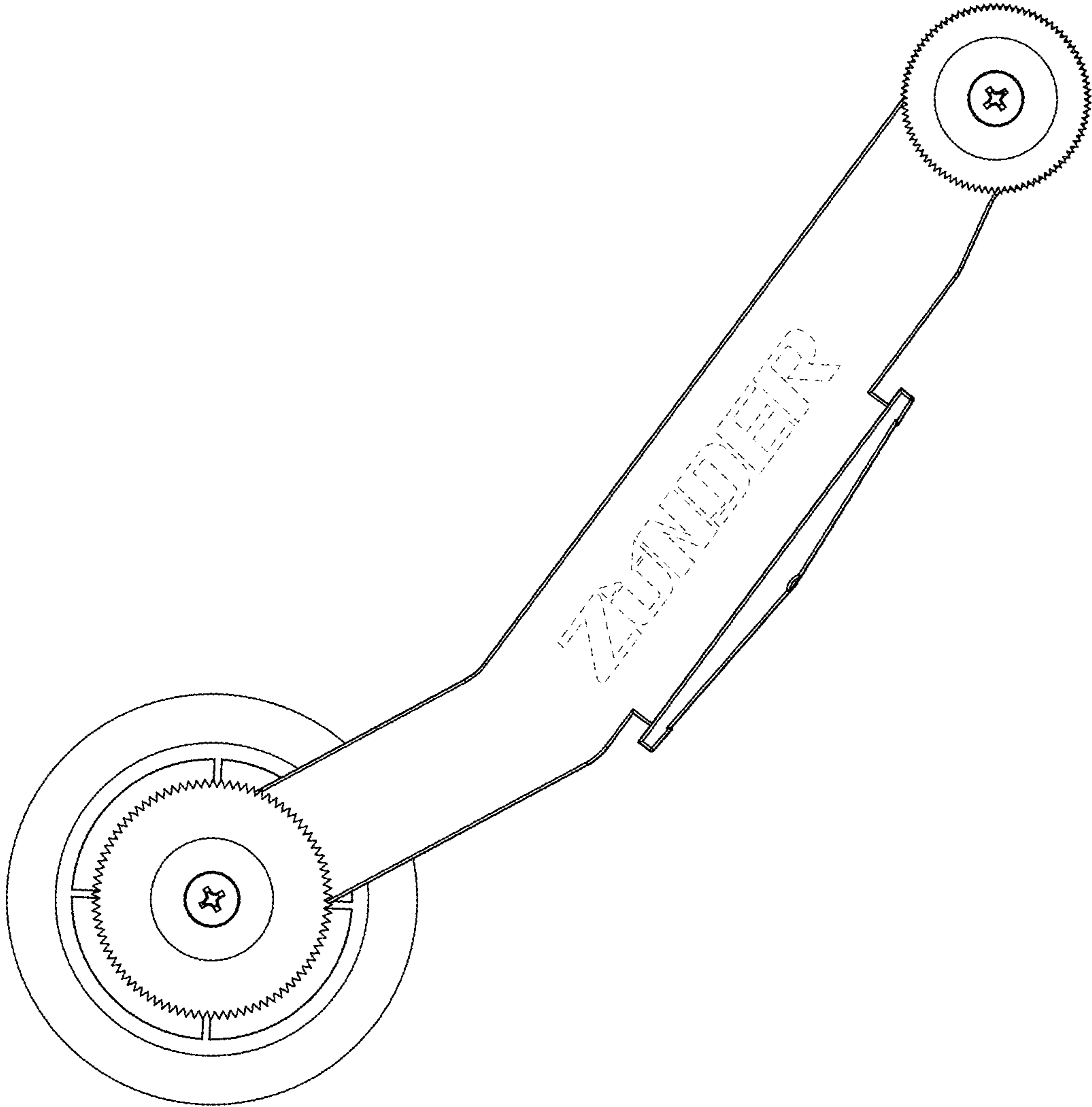


FIG.12

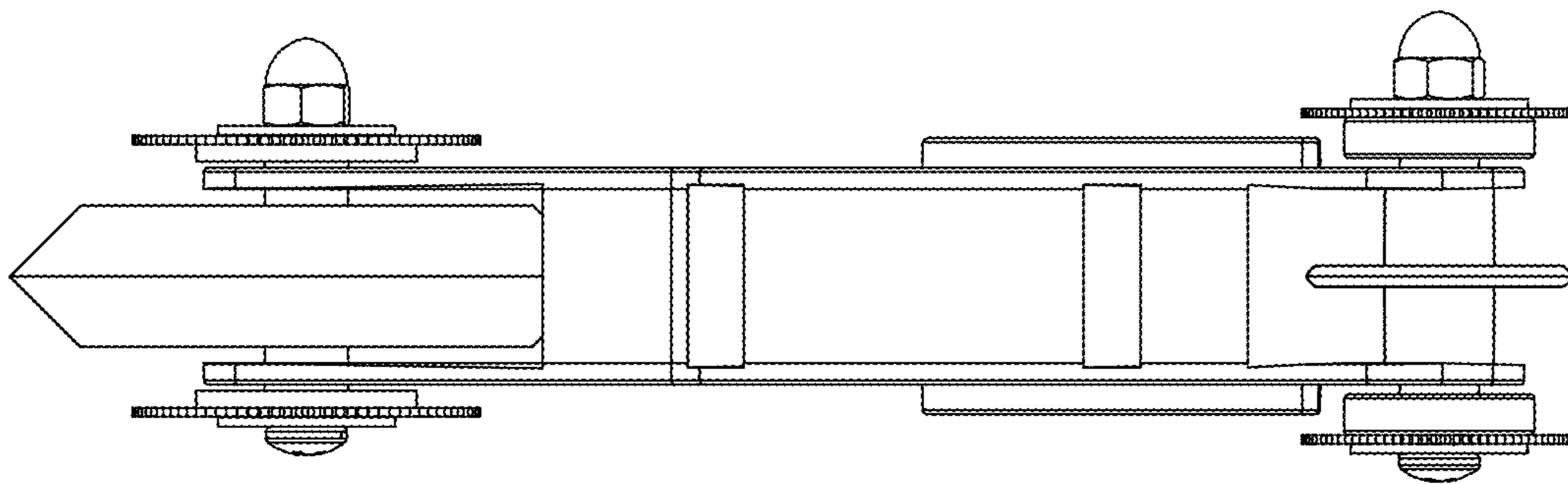


FIG. 13

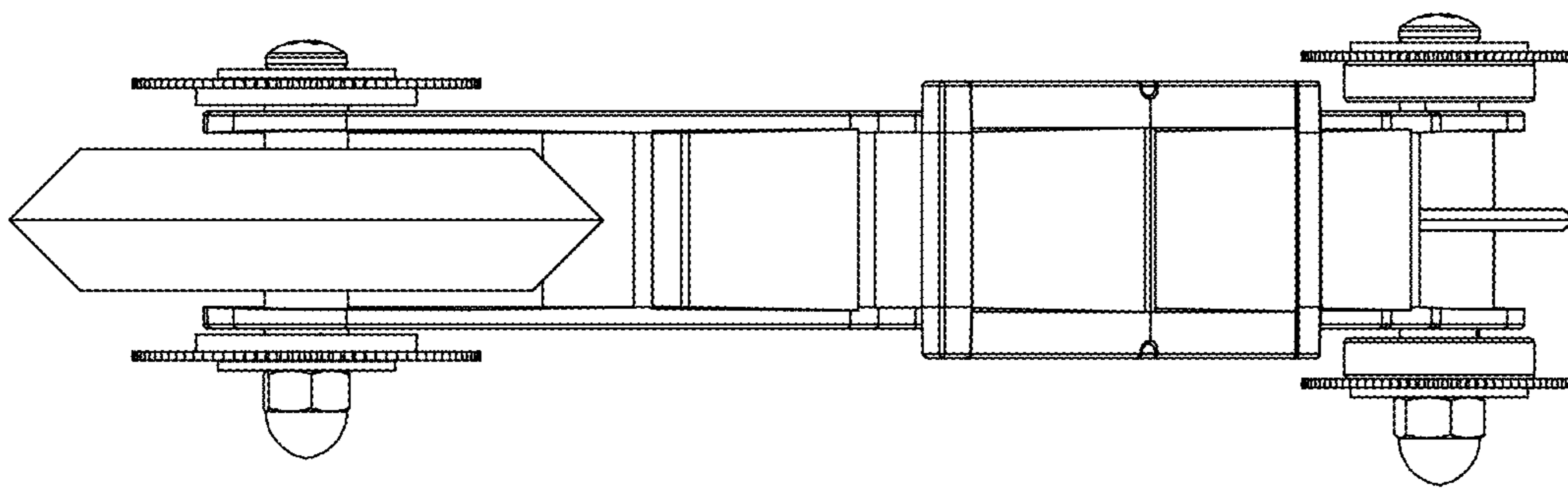


FIG. 14

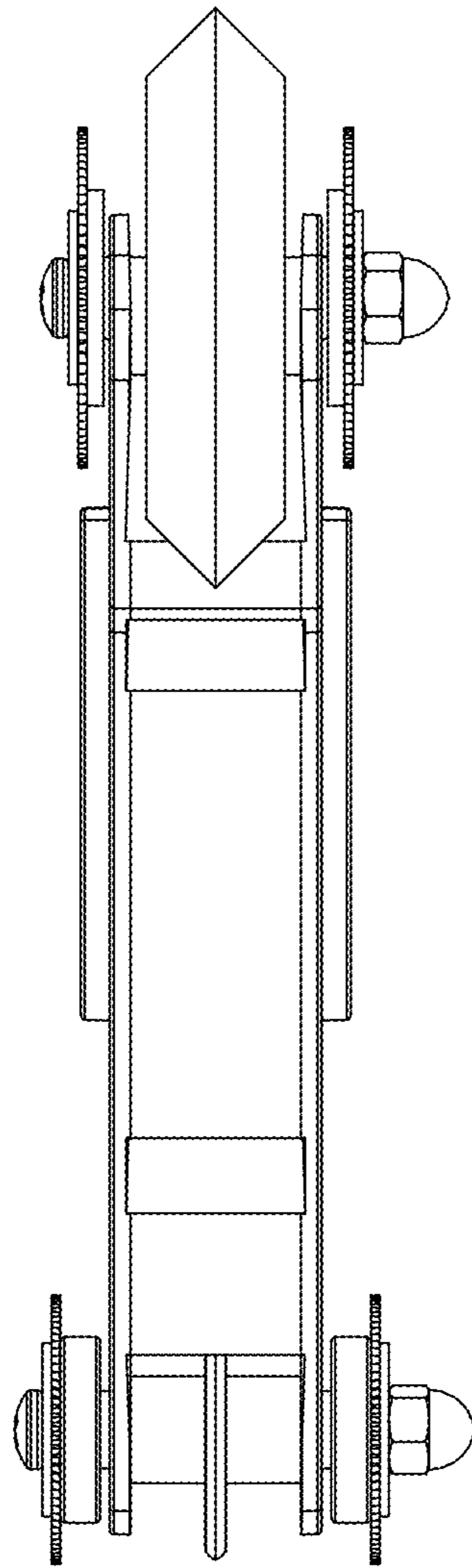


FIG. 15

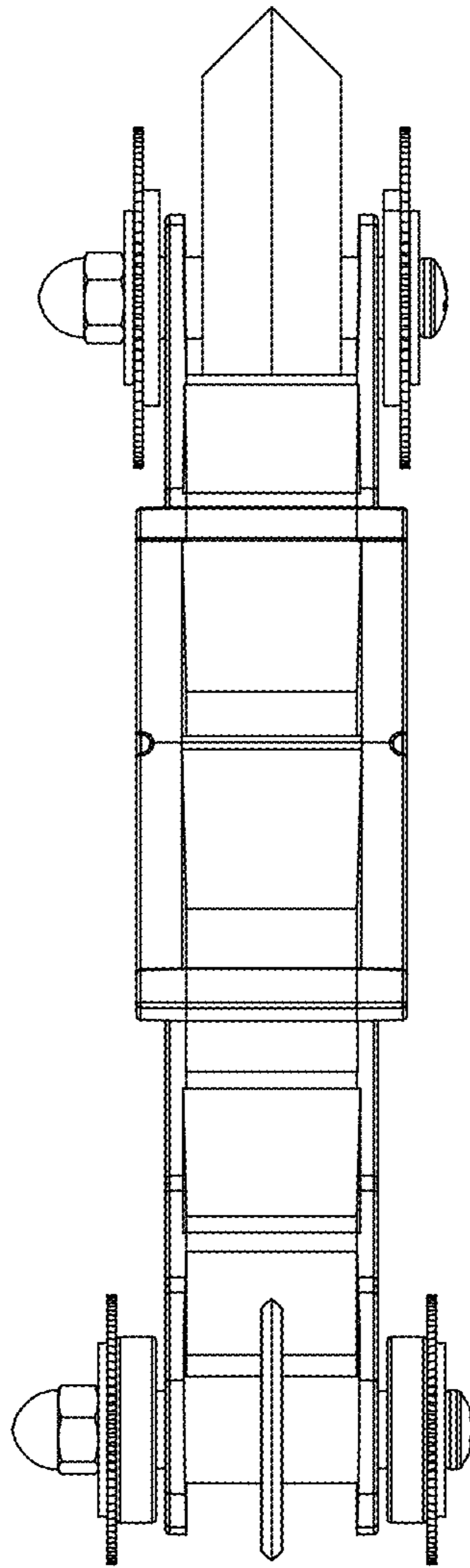


FIG. 16

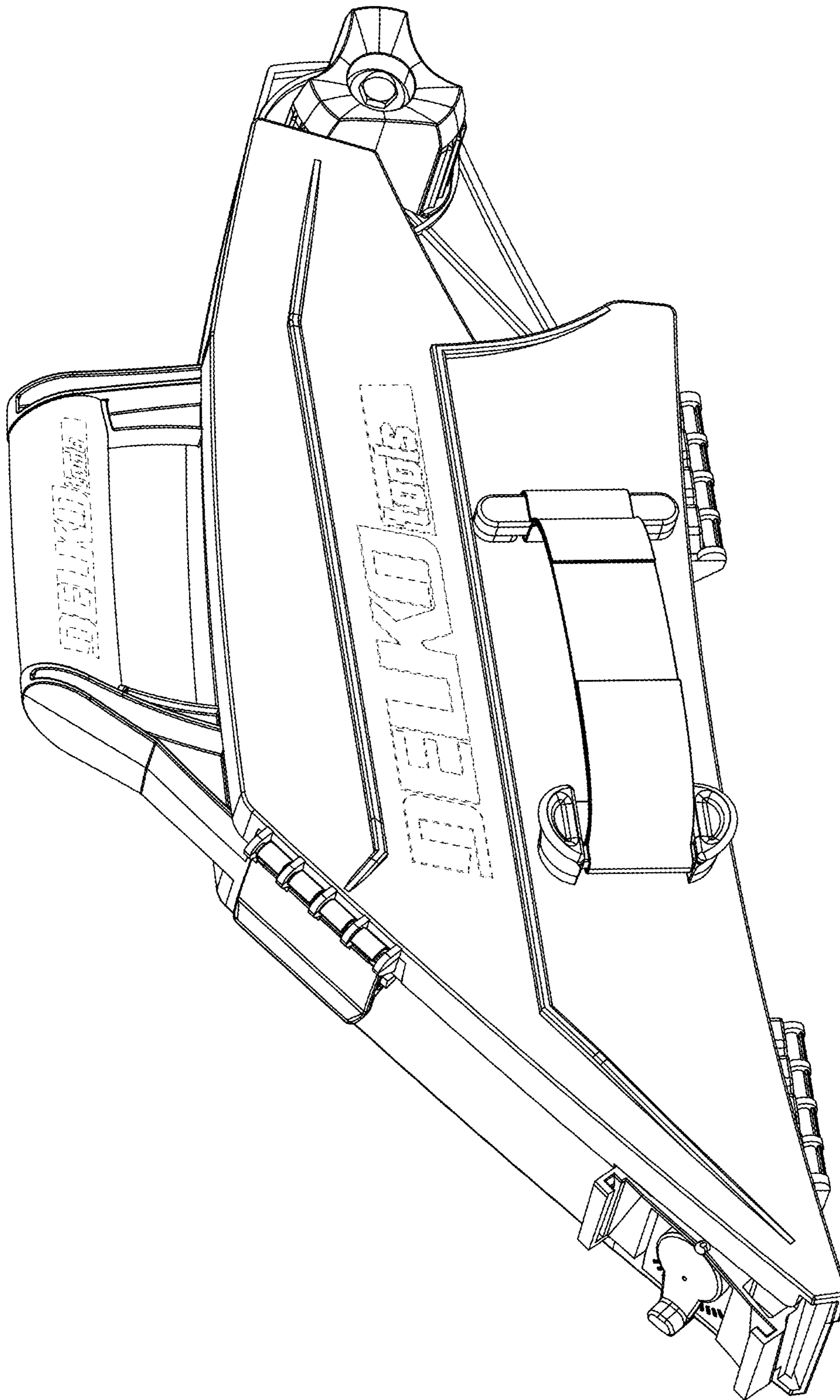


FIG. 17

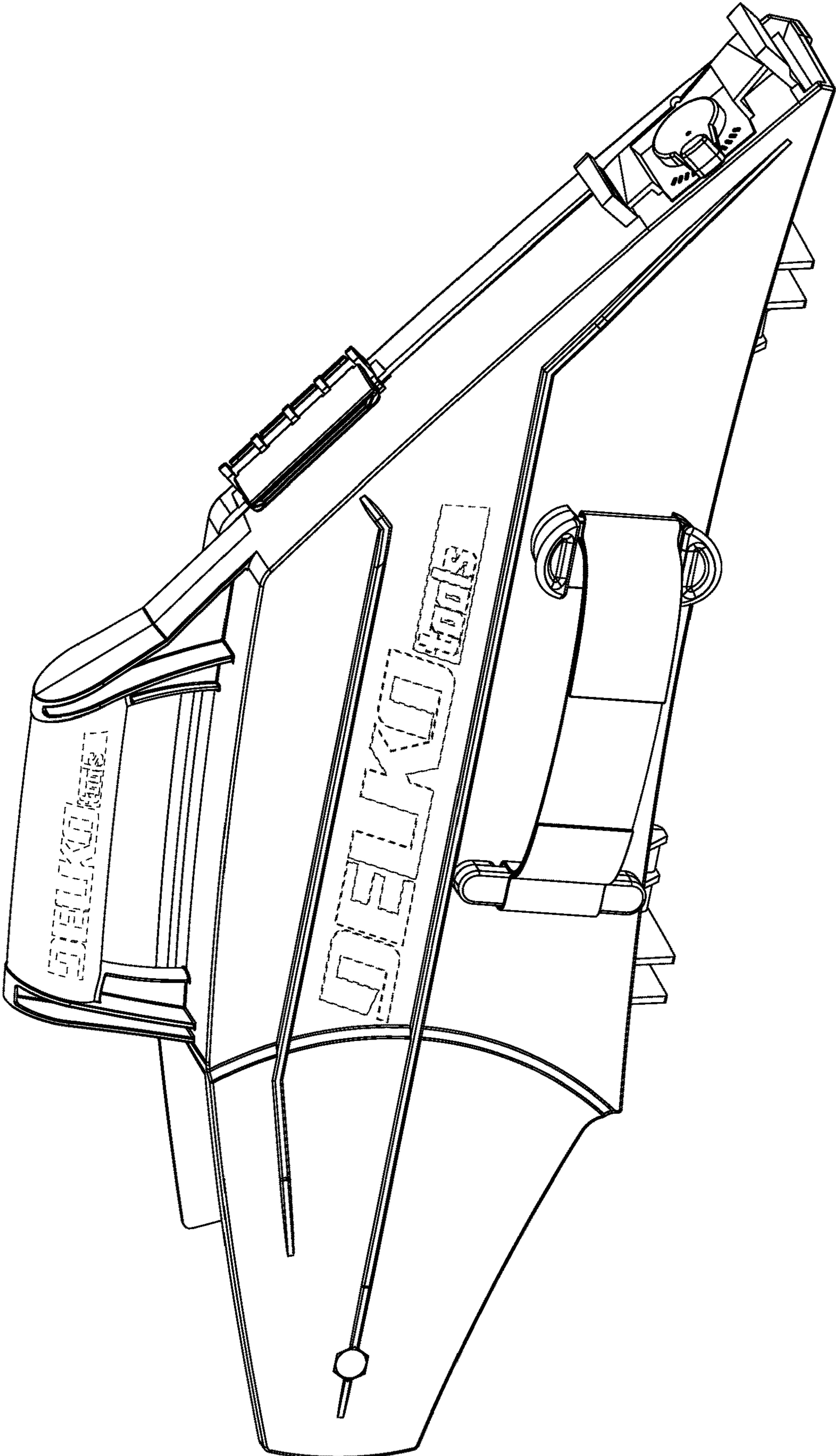


FIG. 18

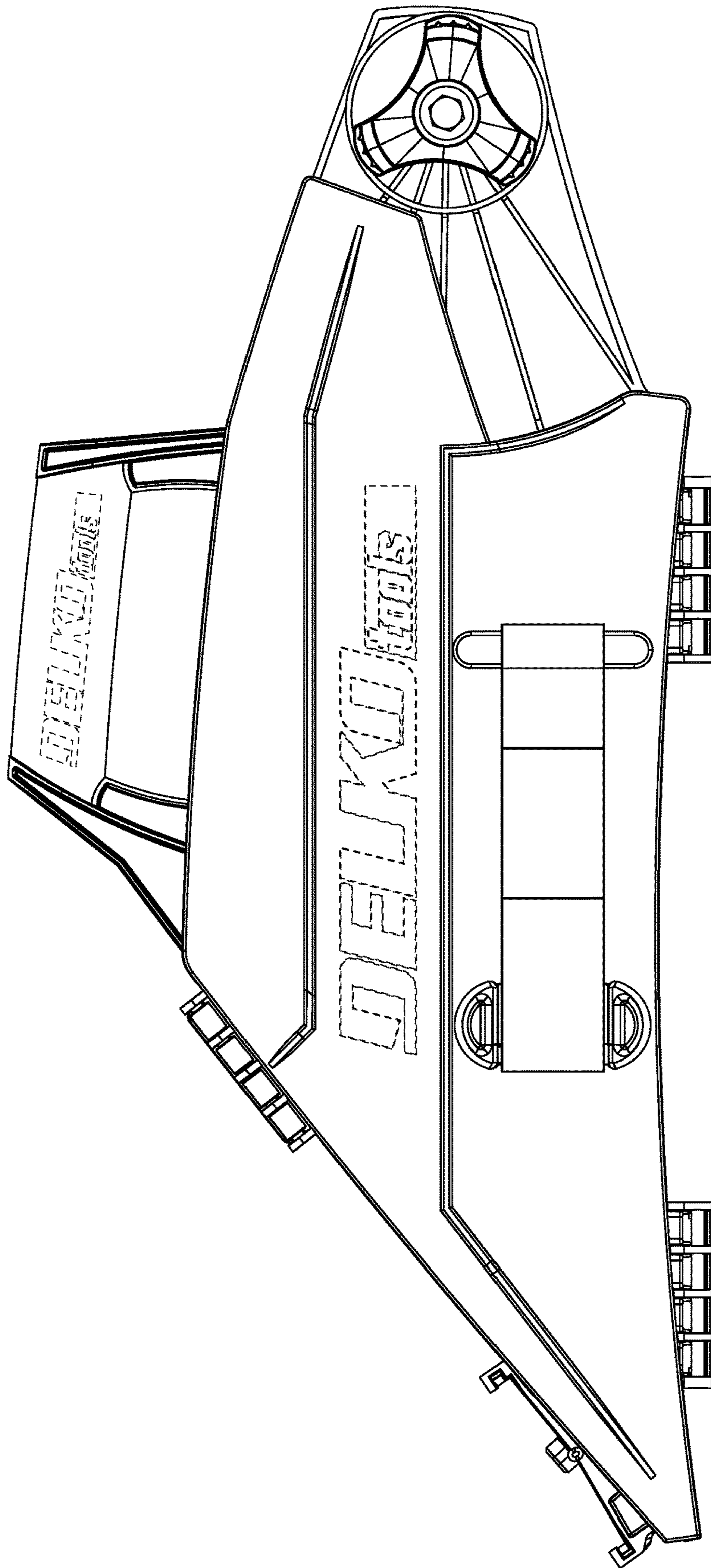


FIG. 19

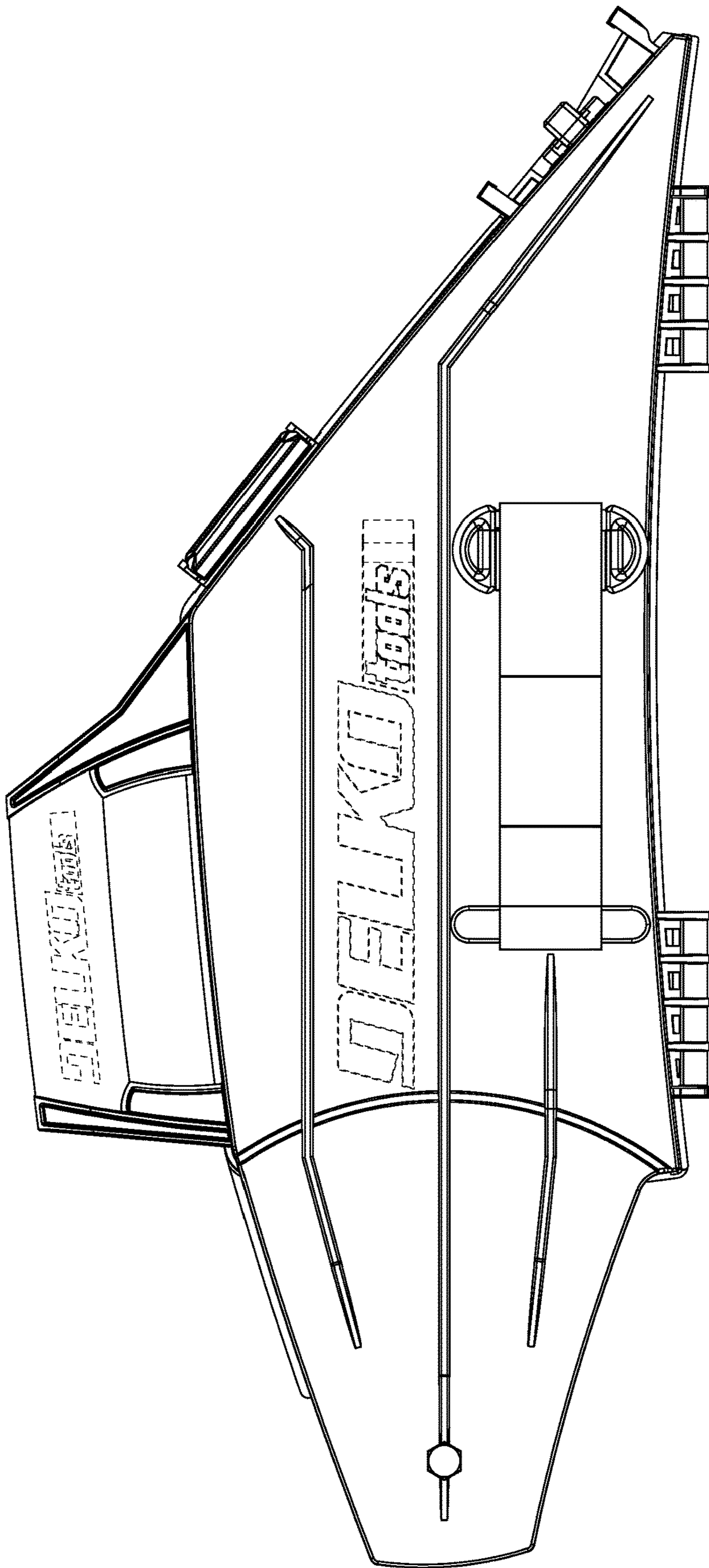


FIG. 20

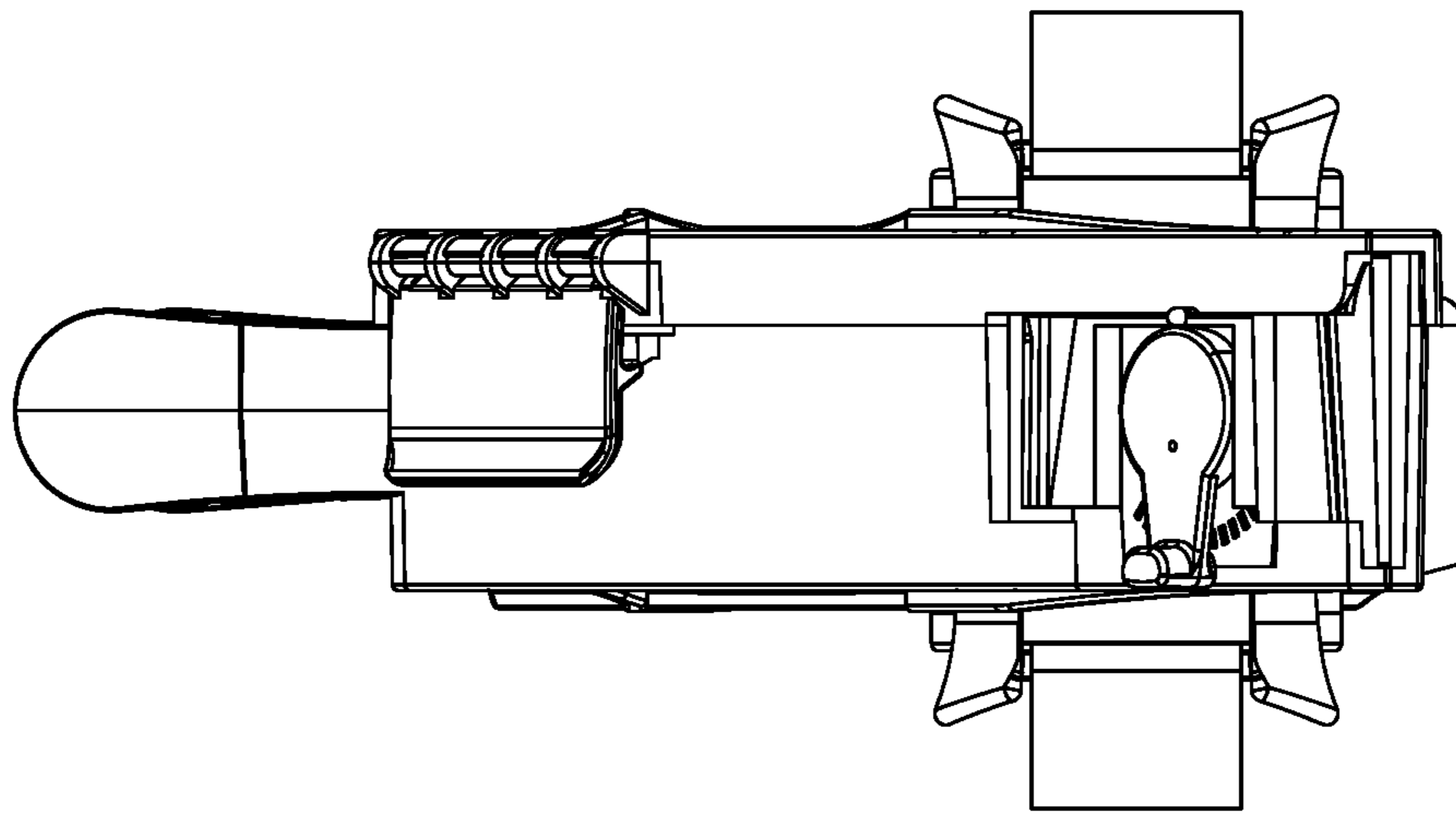


FIG. 21

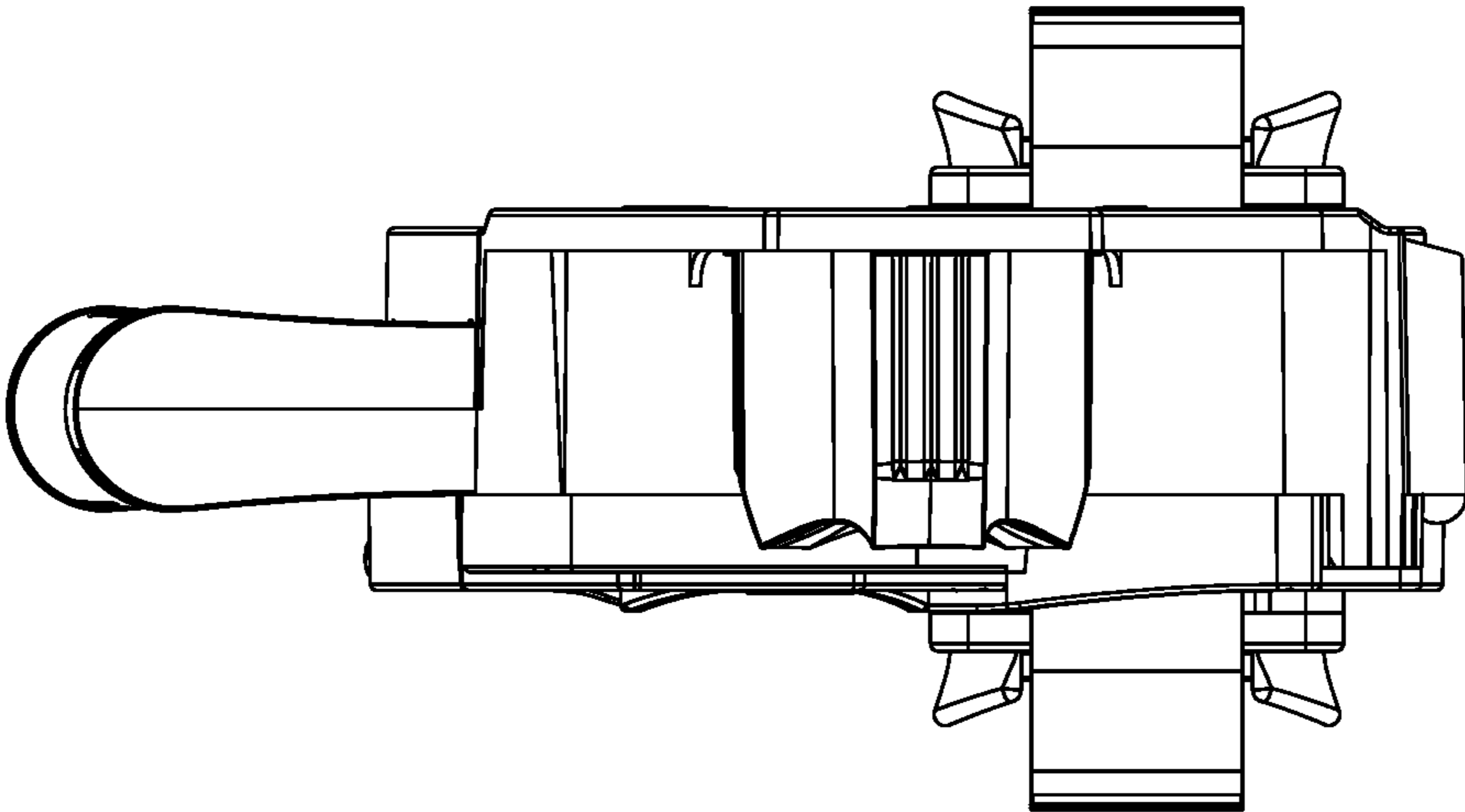


FIG. 22

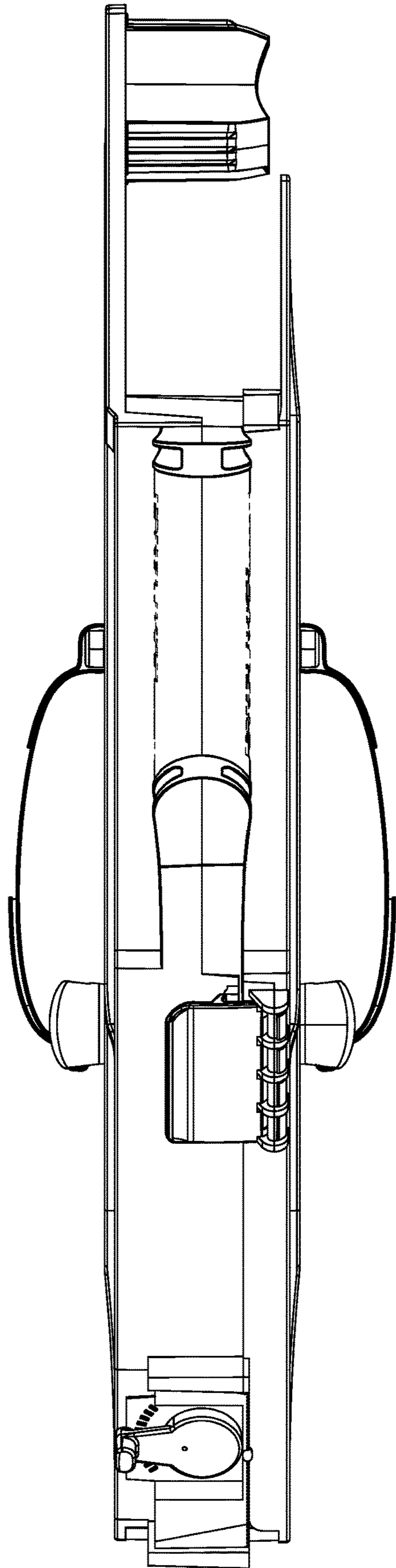


FIG. 23

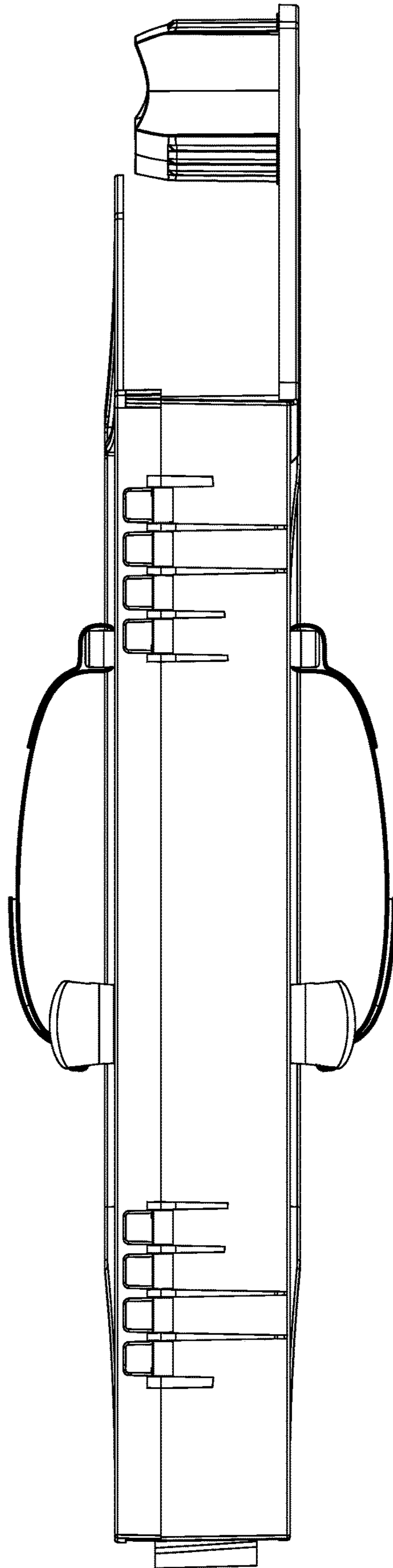


FIG. 24