



US00D934639S

(12) **United States Design Patent** (10) **Patent No.:** **US D934,639 S**
Kim et al. (45) **Date of Patent:** **** Nov. 2, 2021**

(54) **TONGS**
(71) Applicant: **Helen of Troy Limited**, St. Michael (BB)
(72) Inventors: **Min Kim**, Jersey City, NJ (US); **Brandon Rodriguez**, Coral Gables, FL (US); **Latika Sridhar**, New York, NY (US); **James Kwon**, Long Island City, NY (US)
(73) Assignee: **Helen of Troy Limited**, St. Michael (BB)
(**) Term: **15 Years**
(21) Appl. No.: **29/723,327**
(22) Filed: **Feb. 6, 2020**
(51) **LOC (13) Cl.** **07-06**
(52) **U.S. Cl.**
USPC **D7/686**
(58) **Field of Classification Search**
USPC D7/213, 372, 381, 412, 673, 683, 686, D7/688, 689, 691, 692, 693, 694, 695, D7/696
CPC A47F 13/08; A47G 21/045; A47J 43/283; B65D 61/246; B26D 3/26; B26D 25/005
See application file for complete search history.

(56) **References Cited**
U.S. PATENT DOCUMENTS
2,864,645 A * 12/1958 Meldrum A47J 43/283 294/106
6,056,338 A * 5/2000 Kerr A47G 21/10 294/106
D459,954 S * 7/2002 Wang D7/686
6,536,819 B2 * 3/2003 Wang A47G 21/10 294/106
6,568,728 B1 * 5/2003 Wang A47G 21/10 294/106
D488,032 S * 4/2004 Best D7/686
D496,229 S * 9/2004 Kaposi D7/686

6,869,117 B1 * 3/2005 Blum A47G 21/10 294/106
D509,413 S * 9/2005 Marsden D7/686
D560,980 S * 2/2008 LeGreve D7/686
D610,883 S * 3/2010 Blacken D7/686
(Continued)

FOREIGN PATENT DOCUMENTS

EM 008072847-0001 * 8/2020
GB 9008072847-0001 * 8/2020

OTHER PUBLICATIONS

Target website, OXO Mini Tongs, Publication date unknown, [site visited Jul. 8, 2021], Available on the Internet URL www.target.com/p/oxo-mini-tongs/-/A-79652873 (Year: 2021).*
(Continued)

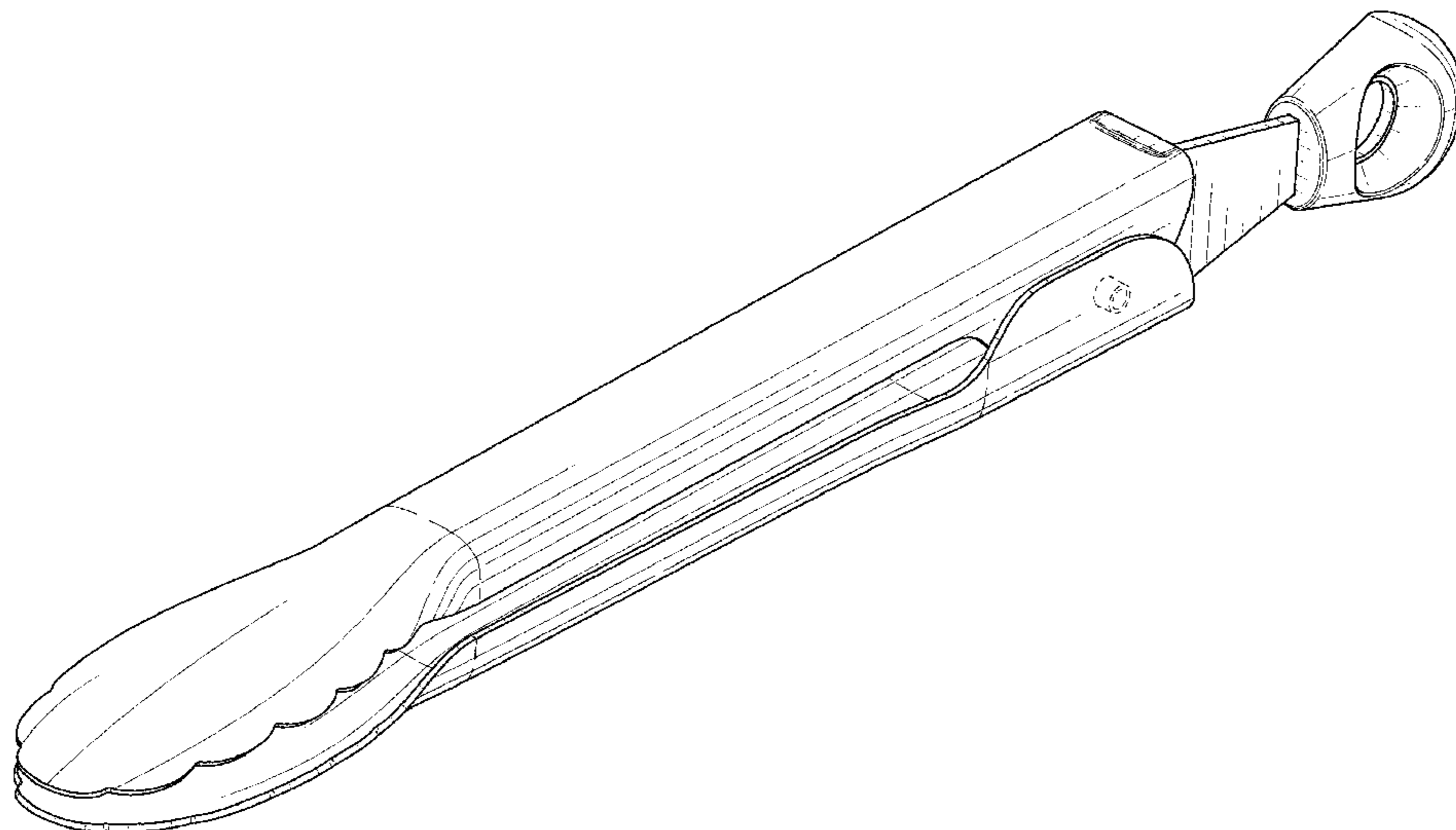
Primary Examiner — Karen S Acker
Assistant Examiner — Steven B Reinholdt, Jr.
(74) *Attorney, Agent, or Firm* — Rankin, Hill & Clark LLP

(57) **CLAIM**
The ornamental design for tongs, as shown and described.

DESCRIPTION

FIG. 1 is a perspective view of a new, original and ornamental design for tongs;
FIG. 2 is a front elevation view of FIG. 1;
FIG. 3 is a rear elevation view of FIG. 1;
FIG. 4 is a left side elevation view of FIG. 1;
FIG. 5 is a right side elevation view of FIG. 1;
FIG. 6 is a top plan view of FIG. 1;
FIG. 7 is a bottom plan view of FIG. 1;
FIG. 8 is an enlarged view of FIG. 2; and,
FIG. 9 is an enlarged view of FIG. 3.
The broken lines in the drawings depict portions of the tongs that form no part of the claimed design.

1 Claim, 5 Drawing Sheets



(56)

References Cited

U.S. PATENT DOCUMENTS

D628,029 S * 11/2010 Rothman D7/686
10,188,239 B2 * 1/2019 Knittig F21V 33/0084
D840,773 S * 2/2019 Lester D7/686
2008/0054661 A1 * 3/2008 Schneider A47J 43/283
294/99.2
2009/0179442 A1 * 7/2009 Mithal B29C 45/2708
294/16
2009/0284031 A1 * 11/2009 Pavicsits A47J 43/283
294/16
2014/0319862 A1 * 10/2014 Ho B25B 7/02
294/99.2
2018/0360273 A1 * 12/2018 Bergin A47J 43/283

OTHER PUBLICATIONS

Amazon website, OXO Good Grips 9-Inch Locking Tongs, Earliest review date Jan. 3, 2005, [site visited Jul. 8, 2021], Available on the Internet URL www.amazon.com/OXO-Grips-9-Inch-Locking-Tongs/dp/B0000CDVD8 (Year: 2005).*

* cited by examiner

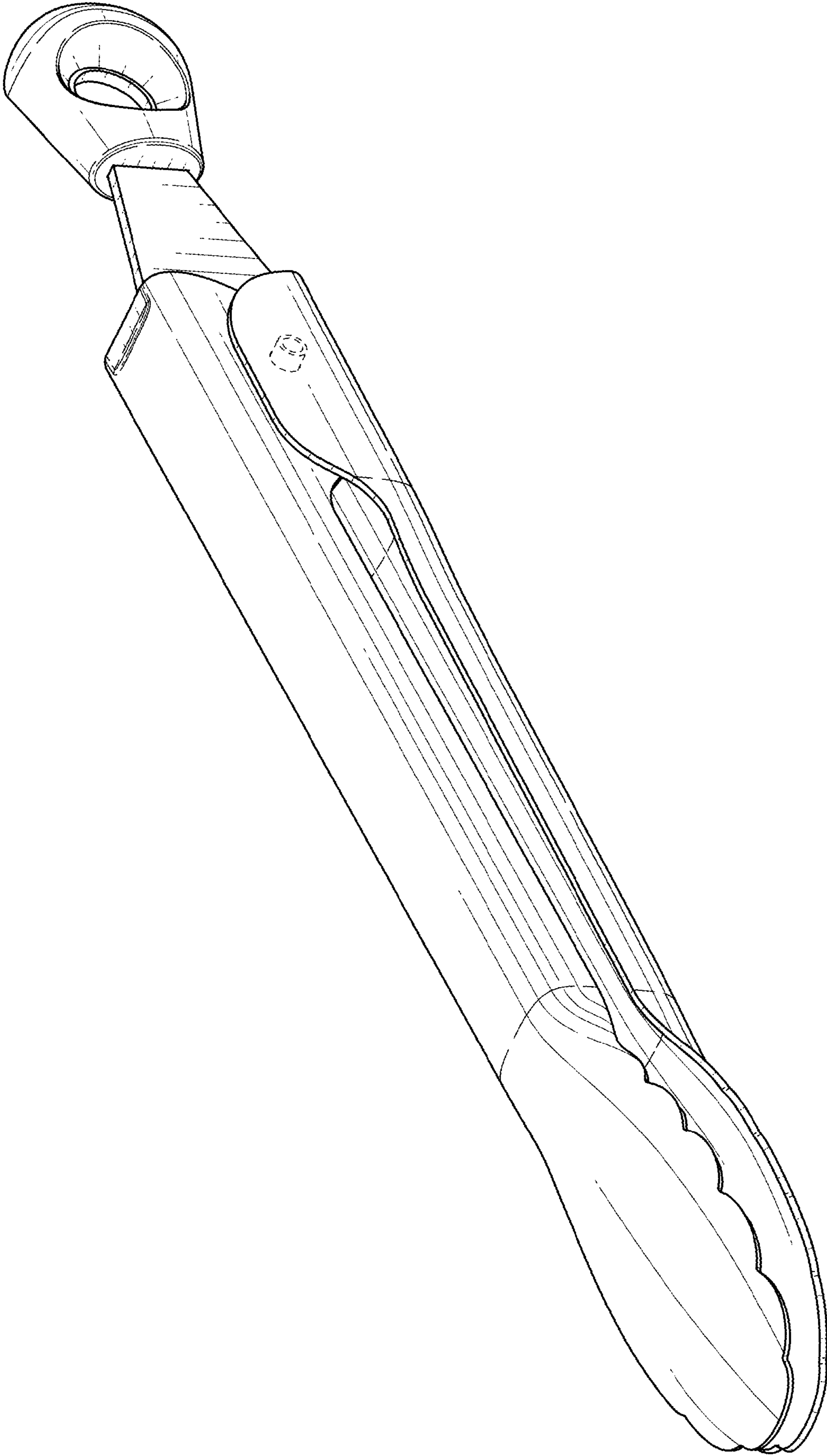


FIG. 1

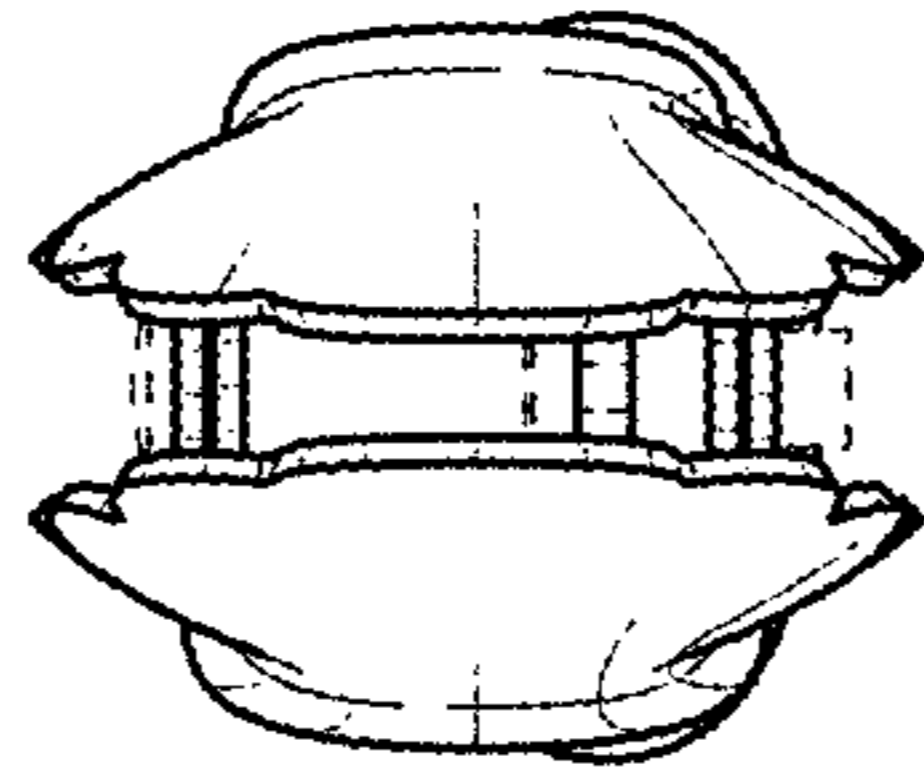


FIG. 2

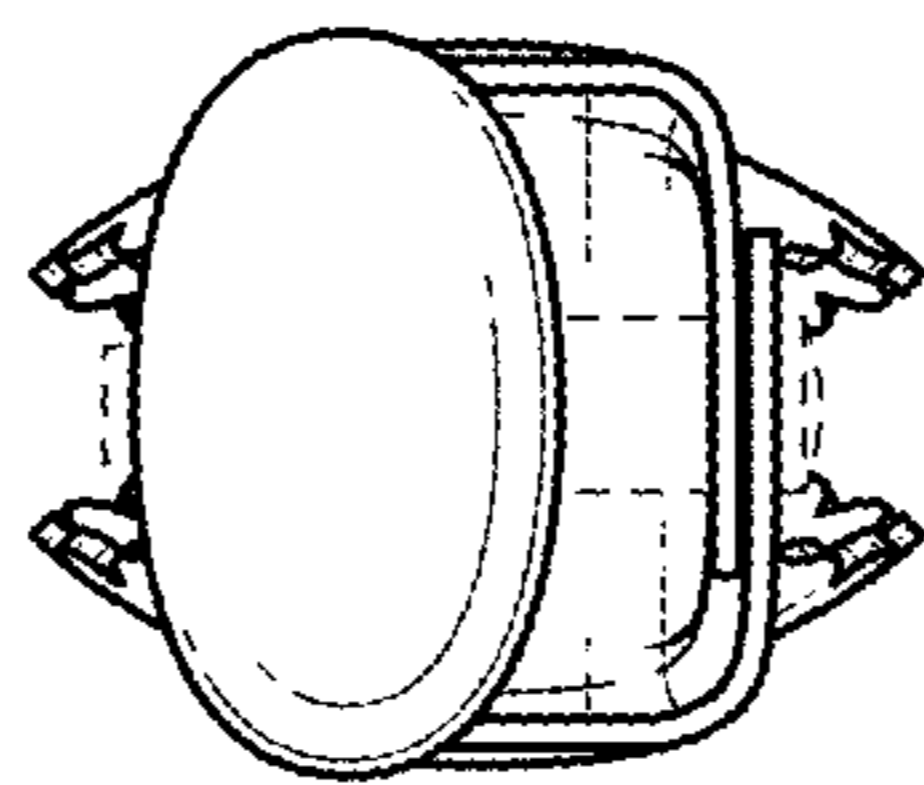


FIG. 3

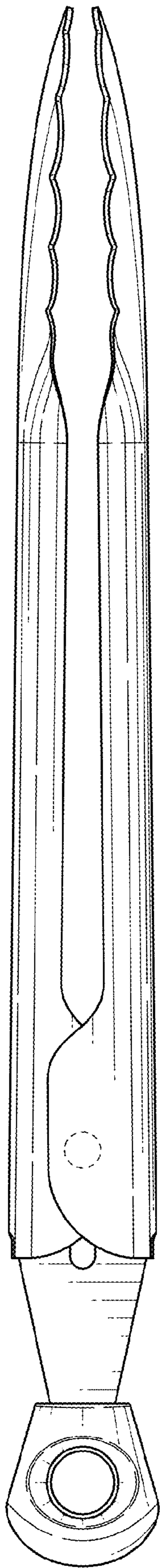


FIG. 4

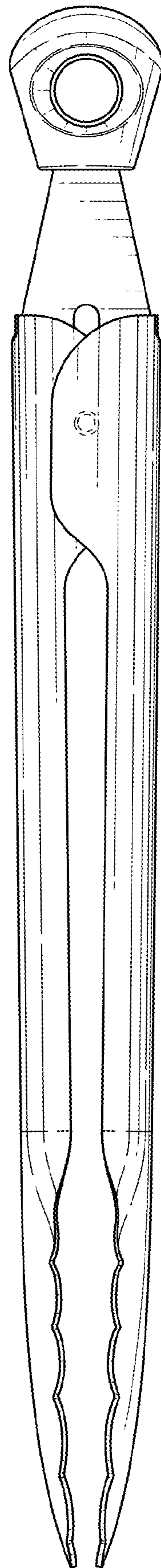


FIG. 5

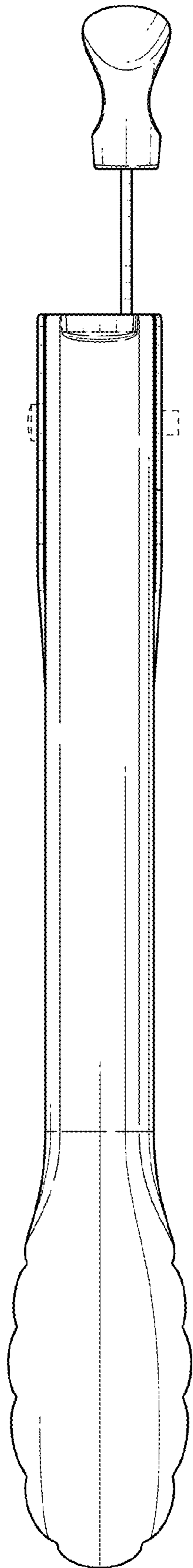


FIG. 6

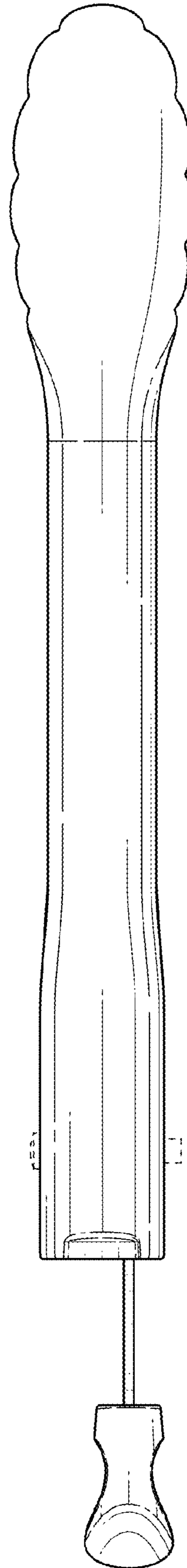


FIG. 7

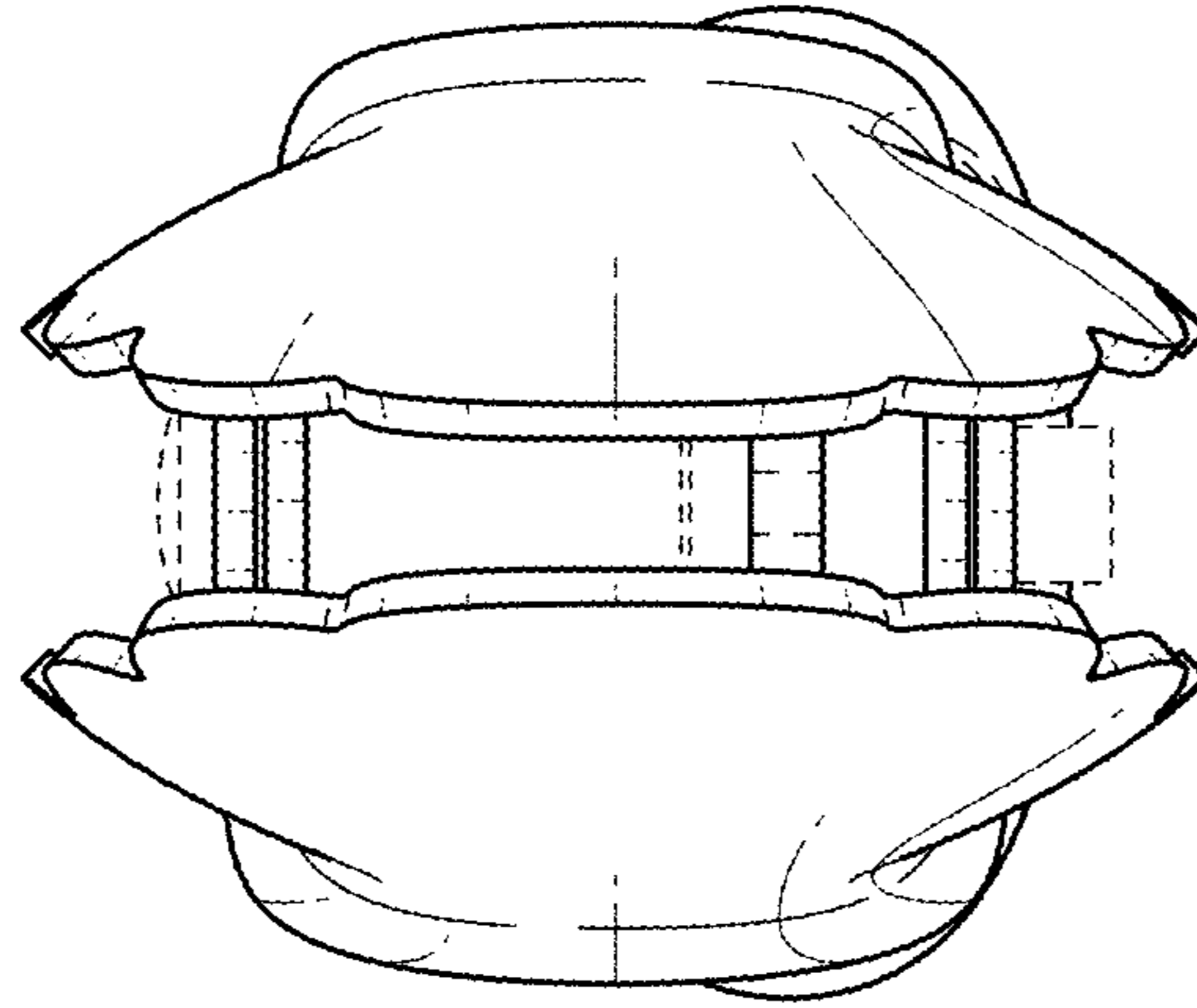


FIG. 8

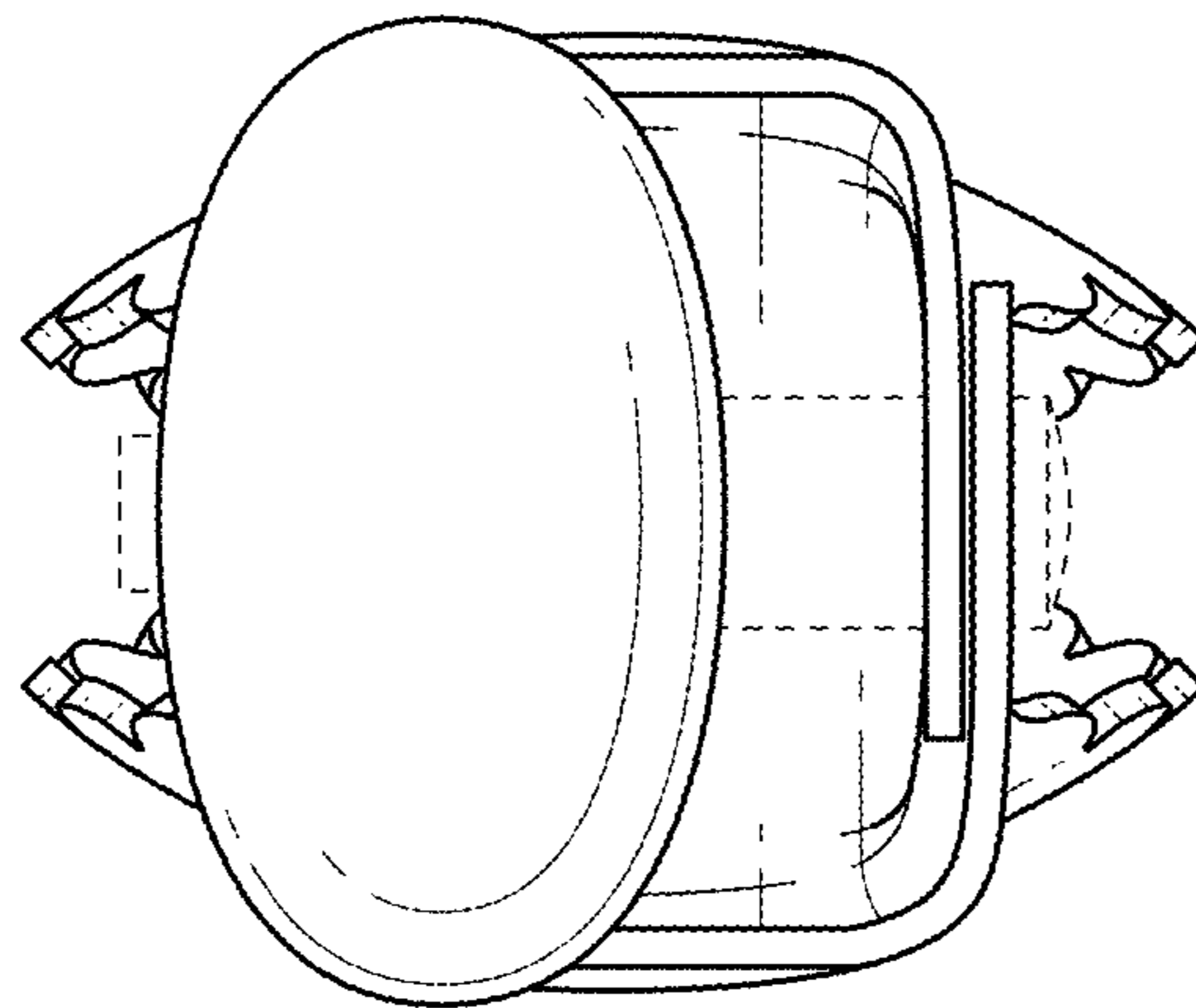


FIG. 9