



US00D934638S

(12) **United States Design Patent** (10) **Patent No.:** **US D934,638 S**
Lin (45) **Date of Patent:** **** Nov. 2, 2021**

(54) **POTATO MASHER**

(71) Applicant: **Jingzhen Lin**, Guangdong (CN)

(72) Inventor: **Jingzhen Lin**, Guangdong (CN)

(73) Assignee: **Shenzhen Jingxiong Technology Co., Ltd.**, Shenzhen (CN)

(**) Term: **15 Years**

(21) Appl. No.: **29/766,780**

(22) Filed: **Jan. 19, 2021**

(51) **LOC (13) Cl.** **07-04**

(52) **U.S. Cl.**
USPC **D7/682**; D7/692

(58) **Field of Classification Search**
USPC D7/368, 669, 680-696
CPC A47J 19/04; A47J 19/00; A47J 43/281;
A47J 43/288

See application file for complete search history.

(56) **References Cited**

U.S. PATENT DOCUMENTS

D306,115 S *	2/1990	Zimmerman	D7/669
D437,747 S	2/2001	Kwok		
D644,893 S *	9/2011	Jossem	D7/682
D689,346 S *	9/2013	Lion	D7/692
D751,354 S *	3/2016	De Leo	D7/692
D902,673 S	11/2020	Lin		
2003/0122388 A1 *	7/2003	Yeung	A47J 43/288 294/7

OTHER PUBLICATIONS

Amazon.com, Mashed small potato masher, 304 stainless steel bean and potato masher, ASIN B07Z2SZ28W, pp. 1-4, date first available Oct. 13, 2019. (Year: 2019).*

Amazon.com, Potato Masher with non-slip soft touch handle for cooking Stylish and Comfortable Grip Nylon Potatoes Pressure Hand, ASIN B07NMN53C1, Manufacturer Funny, pp. 1-7, date first available Feb. 11, 2019. (Year: 2019).*

Amazon.com, Tenta kitchen Good Grips Silicone+Nylon Inner Bone Potota Masher Comb Scraper 2 in 1, ASIN B073XM64PM, Manufacturer TENTA7, pp. 1-8, date first available Nov. 15, 2018. (Year: 2018).*

* cited by examiner

Primary Examiner — Terry A Wallace

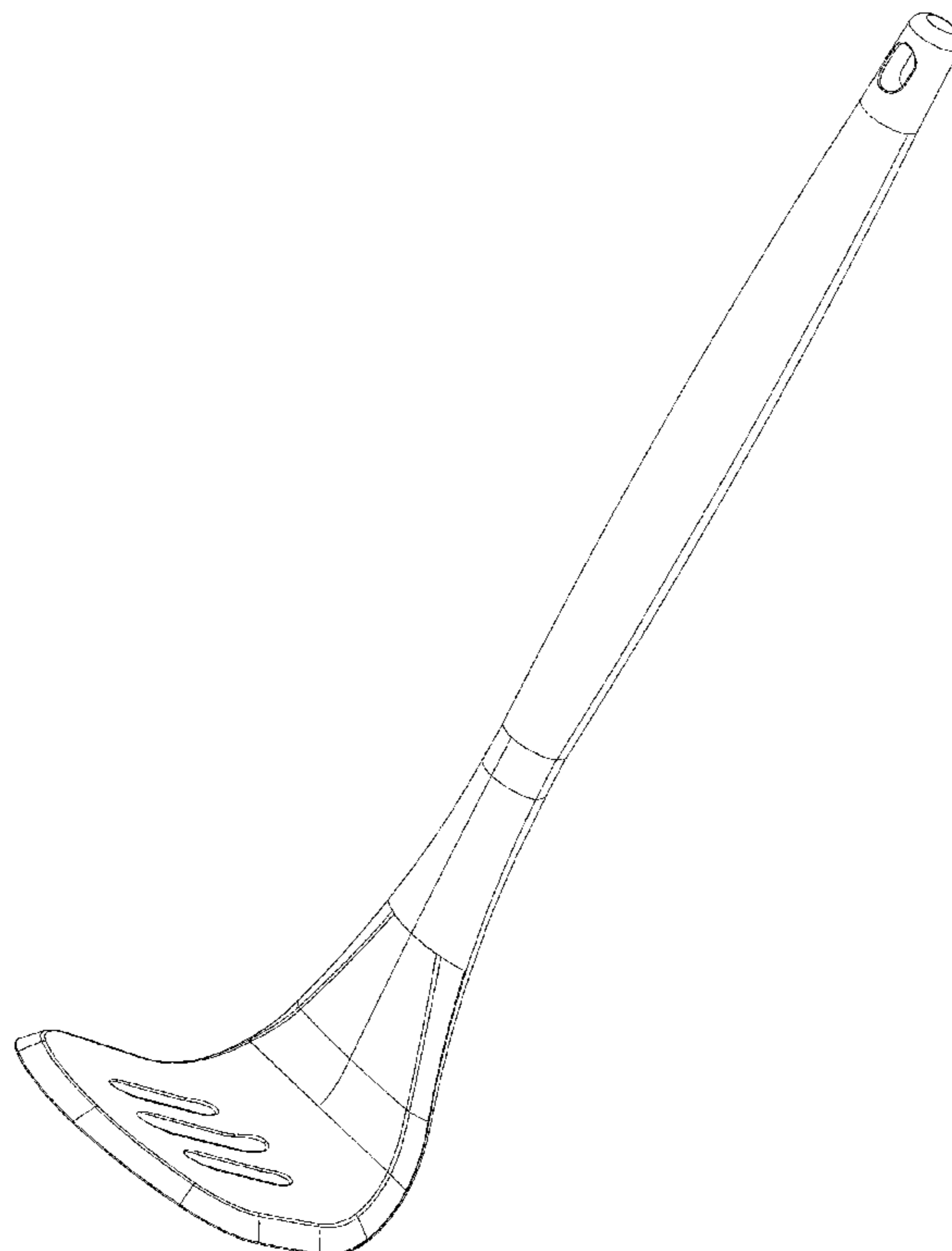
(57) **CLAIM**

The ornamental design for a potato masher, as shown and described.

DESCRIPTION

FIG. 1 is a front, top, right side perspective view of a potato masher showing my new design;
FIG. 2 is a rear, bottom, left side perspective view thereof;
FIG. 3 is a front elevation view thereof;
FIG. 4 is a rear elevation view thereof;
FIG. 5 is a left side elevation view thereof, the right side elevation view being a mirror image of the left side elevation view;
FIG. 6 is an enlarged top plan view thereof; and,
FIG. 7 is an enlarged bottom plan view thereof.

1 Claim, 5 Drawing Sheets



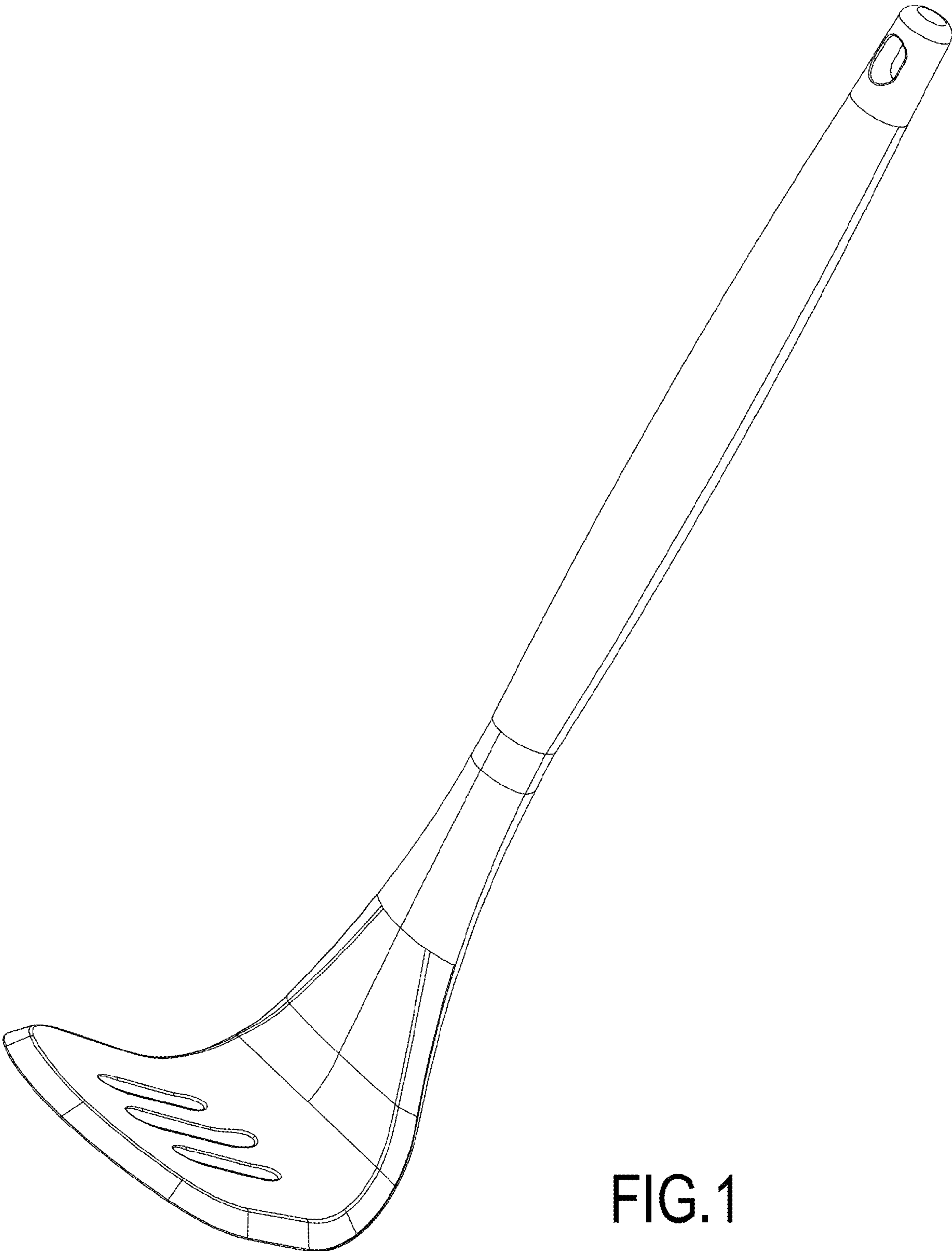


FIG. 1

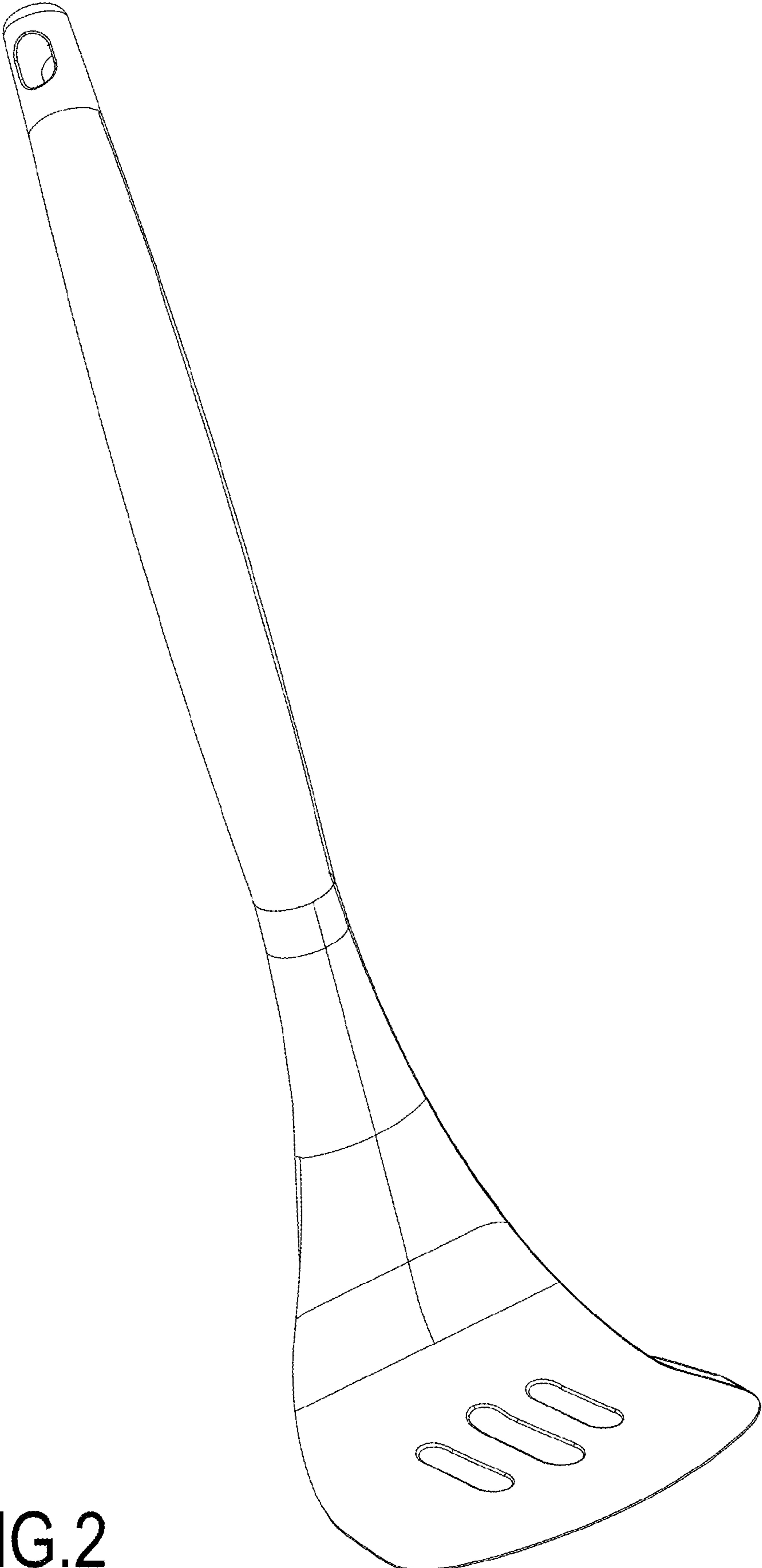


FIG.2

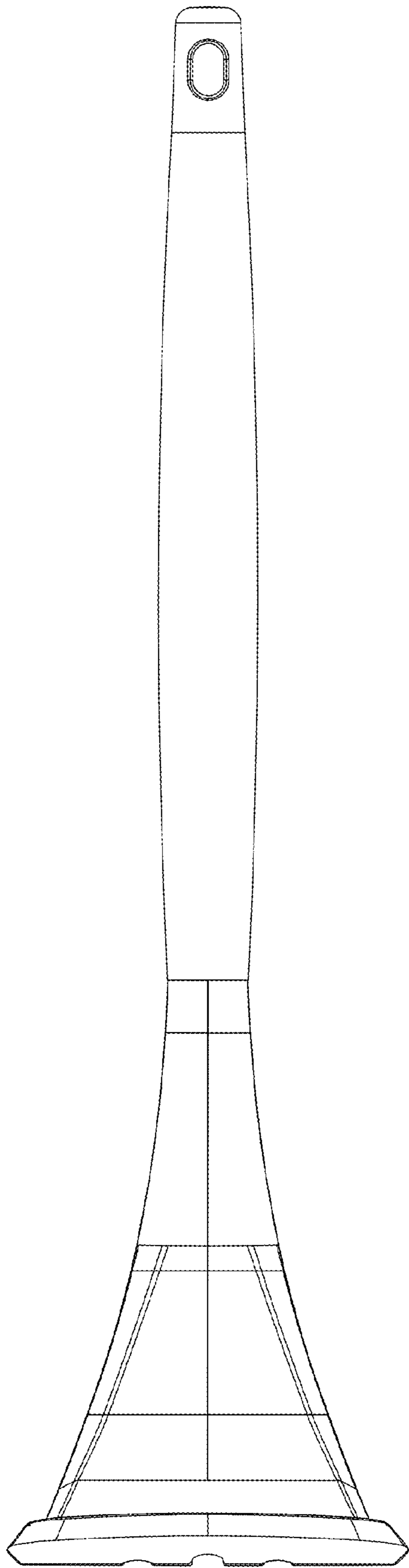


FIG.3

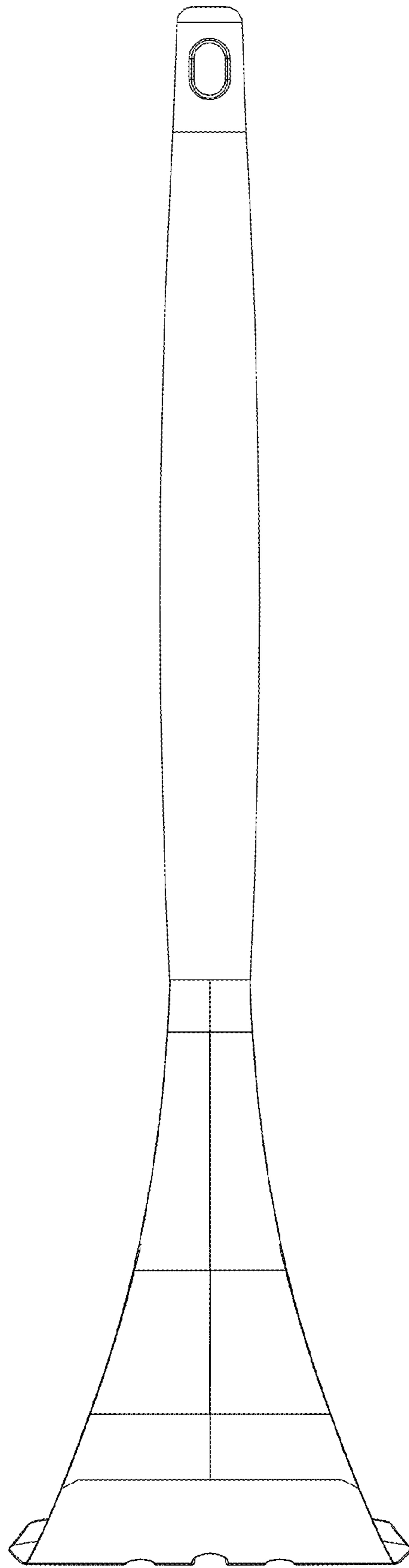


FIG.4

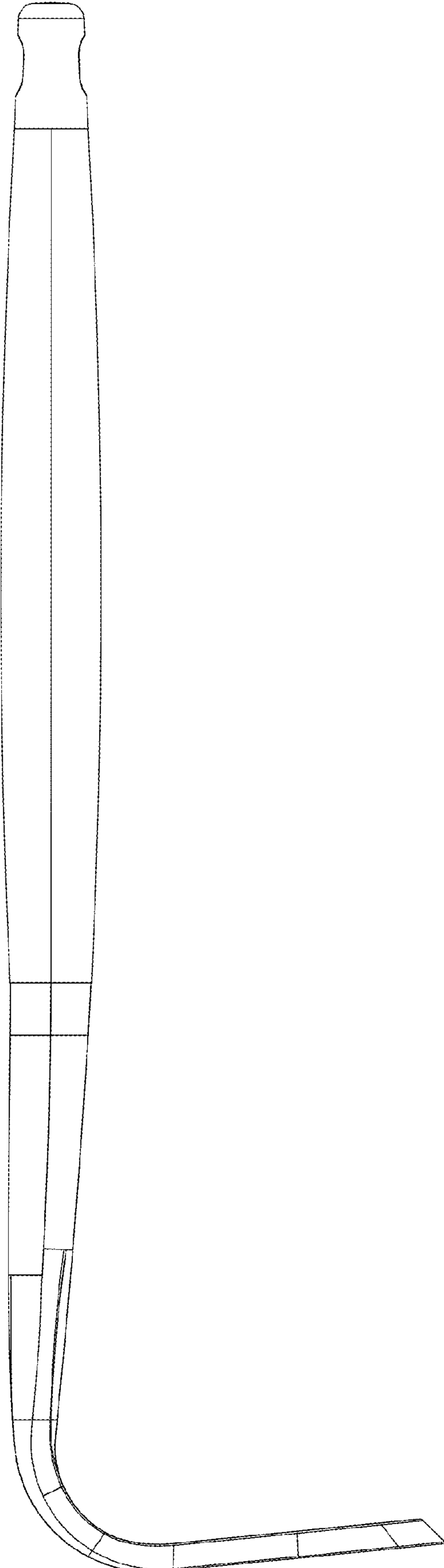


FIG.5

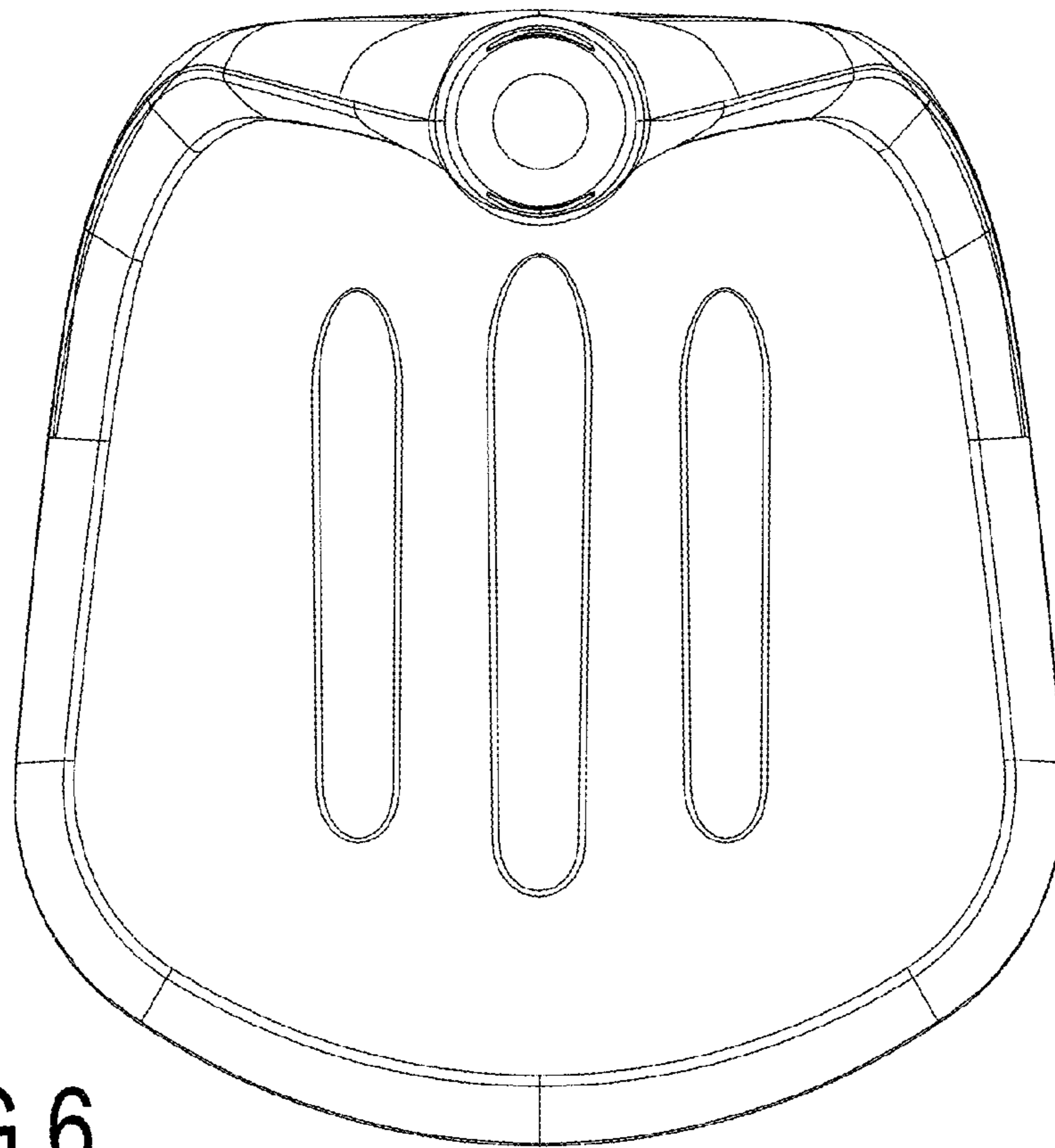


FIG. 6

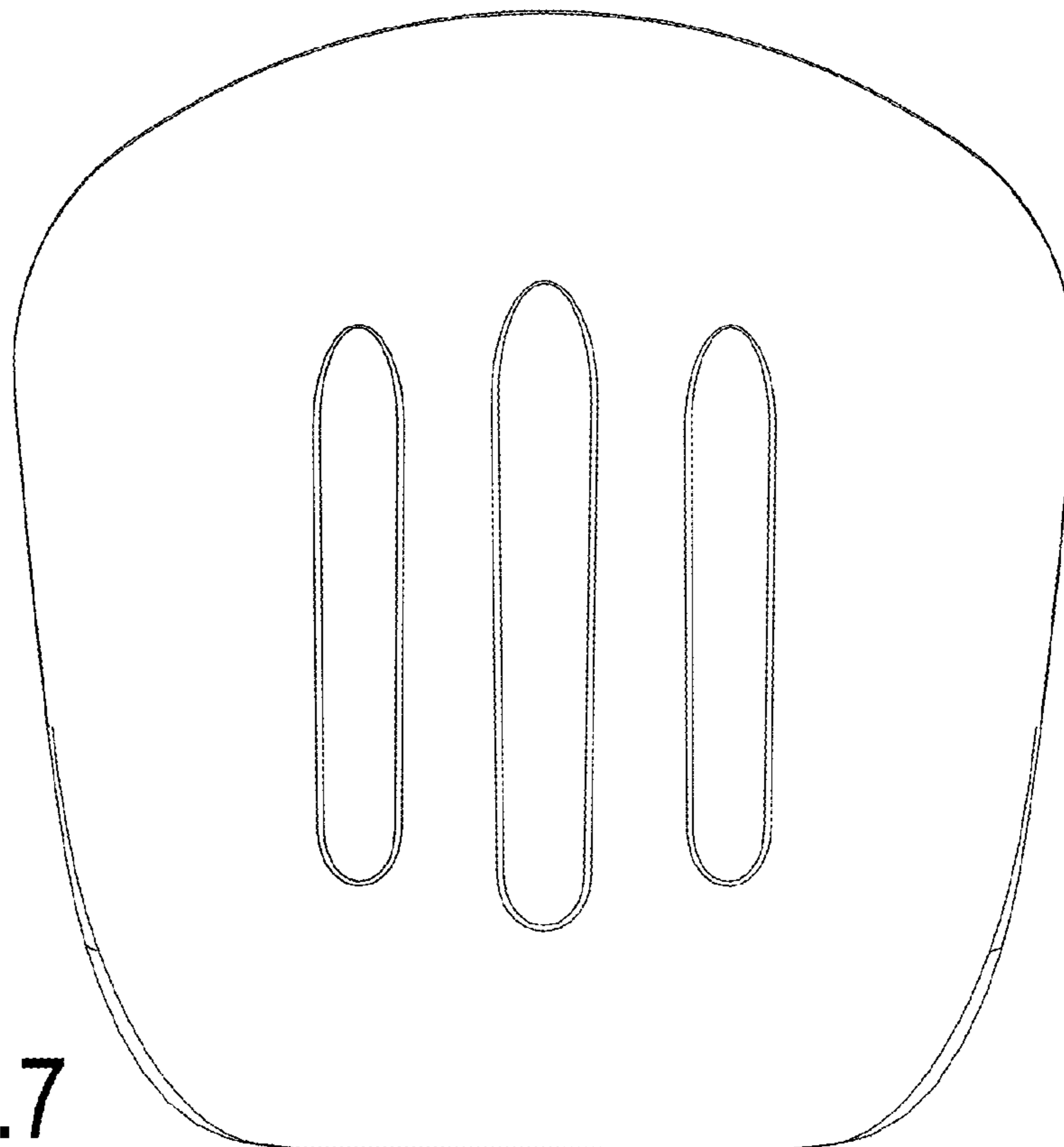


FIG. 7