



US00D934635S

(12) **United States Design Patent** (10) **Patent No.:** **US D934,635 S**  
**Samartgis** (45) **Date of Patent:** **\*\* \*Nov. 2, 2021**

(54) **CONTAINER BASE**

(71) Applicant: **THE DECOR CORPORATION PTY LTD**, Scoresby (AU)

(72) Inventor: **Jim Samartgis**, Scoresby (AU)

(73) Assignee: **The Decor Corporation Pty Ltd.**, Scoresby (AU)

(\*) Notice: This patent is subject to a terminal disclaimer.

(\*\*) Term: **15 Years**

(21) Appl. No.: **29/609,348**

(22) Filed: **Jun. 29, 2017**

(30) **Foreign Application Priority Data**

Feb. 9, 2017 (AU) ..... 201710737  
Feb. 9, 2017 (AU) ..... 201710738

(51) **LOC (13) Cl.** ..... **07-07**

(52) **U.S. Cl.**  
USPC ..... **D7/602**

(58) **Field of Classification Search**  
USPC ..... D7/590, 597, 600-600.1, 600.3-600.4,  
D7/602, 614-615, 701, 592, 596, 619.1,  
(Continued)

(56) **References Cited**

**U.S. PATENT DOCUMENTS**

D377,739 S \* 2/1997 Carlson ..... D7/602  
D379,138 S \* 5/1997 Carlson ..... D7/629  
(Continued)

**FOREIGN PATENT DOCUMENTS**

CN 304039162 \* 2/2017  
CN 304039164 \* 2/2017  
KR 300828431.0000 \* 12/2015

**OTHER PUBLICATIONS**

Brilliance Container, Rubbermaid, jamielovesstuff.com, published by blogger Jamie on Nov. 30, 2016 per wayback machine © A Little Desert Apartment, online, site visited Jan. 30, 2019. Available from Internet, URL: <https://web.archive.org/web/20161130184712/http://www.jamielovesstuff.com/2016/11/> . . . (Year: 2016).\*

*Primary Examiner* — Lakiya G Rogers

*Assistant Examiner* — Altaira J. Swangin

(74) *Attorney, Agent, or Firm* — Kilpatrick Townsend & Stockton LLP

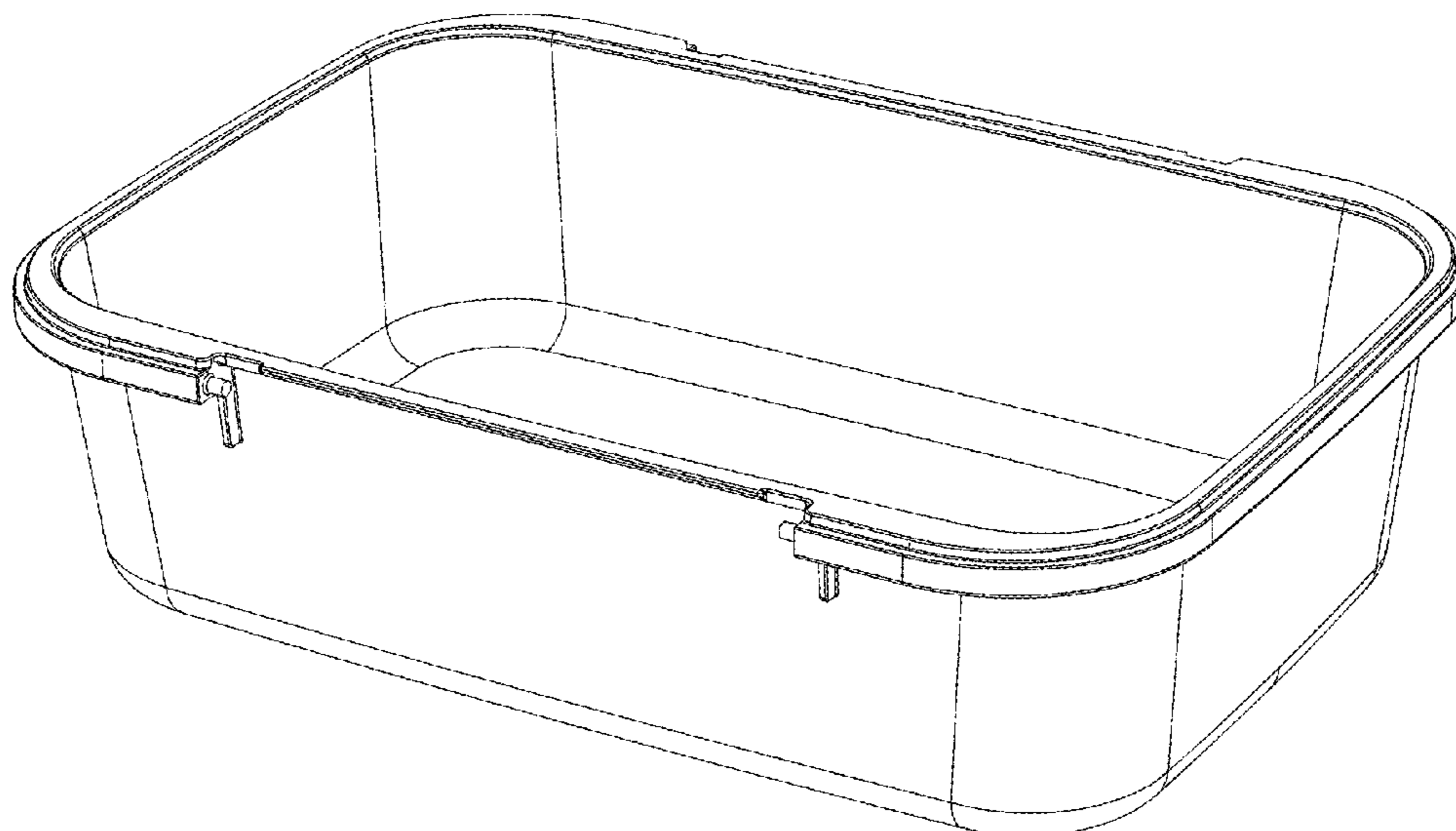
(57) **CLAIM**

The ornamental design for a container base, as shown and described.

**DESCRIPTION**

FIG. 1 is a top, front perspective view of a first embodiment of a container base showing my new design;  
FIG. 2 is a bottom, rear perspective view thereof;  
FIG. 3 is a top plan view thereof;  
FIG. 4 is a bottom plan view thereof;  
FIG. 5 is a front elevational view thereof;  
FIG. 6 is a rear elevational view thereof;  
FIG. 7 is a left side elevational view thereof; and  
FIG. 8 is a right side elevational view thereof.  
FIG. 9 is a top, front perspective view of a second embodiment of a container base showing my new design;  
FIG. 10 is a bottom, rear perspective view thereof;  
FIG. 11 is a top plan view thereof;  
FIG. 12 is a bottom plan view thereof;  
FIG. 13 is a front elevational view thereof;  
FIG. 14 is a rear elevational view thereof;  
FIG. 15 is a left side elevational view thereof; and,  
FIG. 16 is a right side elevational view thereof.  
Broken lines shown in the drawings represent portions of the container base and form no part of the claimed design.

**1 Claim, 16 Drawing Sheets**



(58) **Field of Classification Search**

USPC ..... D7/704, 505, 513, 553.1–553.3,  
 D7/554.3–555, 611; D6/675, 680.2,  
 D6/675.1–675.2, 675.5, 680–680.1, 680.3,  
 D6/681, 690–691; 211/30, 73–74;  
 D9/747, 751–753, 756–758, 762,  
 D9/759–760; 206/129, 712, 736;  
 D19/92, 101–105, 107; D32/53, 53.1, 55  
 CPC ..... F16M 11/00; A47K 1/09; A47F 7/0064;  
 A47J 47/02; A47J 47/06; A47J 47/10;  
 B65D 1/36; B65D 81/3446; B65D 1/00;  
 B65D 45/12; B65D 45/16; B65D 45/18;  
 B65D 45/20; B65D 45/22; B65D 45/30;  
 B65D 45/322; A47G 23/04; A47G  
 23/0683; A47G 23/06

See application file for complete search history.

(56) **References Cited**

U.S. PATENT DOCUMENTS

D403,924 S \* 1/1999 Carlson ..... D7/602  
 D421,901 S \* 3/2000 Hill ..... D9/423  
 D601,387 S \* 10/2009 Carlson ..... D7/602  
 D601,388 S \* 10/2009 Carlson ..... D7/602  
 D601,857 S \* 10/2009 Carlson ..... D7/602  
 7,614,522 B2 \* 11/2009 Hsu ..... A47J 36/06  
 220/367.1  
 D606,812 S \* 12/2009 Wu ..... D7/629  
 D614,919 S \* 5/2010 Carlson ..... D7/602  
 D618,516 S \* 6/2010 DiPietro ..... D7/629  
 D630,899 S \* 1/2011 Samartgis ..... D7/602  
 D630,900 S \* 1/2011 Samartgis ..... D7/602  
 D630,901 S \* 1/2011 Samartgis ..... D7/602  
 D631,298 S \* 1/2011 Samartgis ..... D7/602  
 D631,299 S \* 1/2011 Samartgis ..... D7/602  
 D631,300 S \* 1/2011 Samartgis ..... D7/602  
 D631,706 S \* 2/2011 Samartgis ..... D7/602  
 D631,707 S \* 2/2011 Samartgis ..... D7/602  
 D642,905 S \* 8/2011 Samartgis ..... D9/424  
 D642,906 S \* 8/2011 Samartgis ..... D9/424  
 D644,883 S \* 9/2011 Samartgis ..... D7/602  
 D644,884 S \* 9/2011 Samartgis ..... D7/602  
 D644,885 S \* 9/2011 Samartgis ..... D7/602  
 D644,886 S \* 9/2011 Samartgis ..... D7/602  
 D644,887 S \* 9/2011 Samartgis ..... D7/602  
 D644,888 S \* 9/2011 Samartgis ..... D7/602  
 D655,576 S \* 3/2012 Samartgis ..... D7/602  
 D655,577 S \* 3/2012 Samartgis ..... D7/602  
 D655,578 S \* 3/2012 Samartgis ..... D7/602  
 D664,427 S \* 7/2012 Chen ..... D9/425  
 8,418,871 B1 \* 4/2013 LaMasney ..... B65D 1/34  
 220/324  
 D697,762 S \* 1/2014 Carlson ..... D7/602  
 D697,763 S \* 1/2014 Carlson ..... D7/602  
 D697,764 S \* 1/2014 Carlson ..... D7/602  
 8,714,394 B2 \* 5/2014 Wulf ..... B65D 43/0212  
 220/326  
 D708,015 S \* 7/2014 Carlson ..... D7/602

D708,016 S \* 7/2014 Carlson ..... D7/602  
 D708,017 S \* 7/2014 Carlson ..... D7/602  
 D708,018 S \* 7/2014 Carlson ..... D7/602  
 D716,613 S \* 11/2014 Carlson ..... D7/602  
 D717,119 S \* 11/2014 Carlson ..... D7/602  
 D717,120 S \* 11/2014 Carlson ..... D7/602  
 D717,121 S \* 11/2014 Carlson ..... D7/602  
 D717,122 S \* 11/2014 Carlson ..... D7/602  
 8,998,014 B2 \* 4/2015 Iwasaki ..... A45C 11/20  
 220/203.11  
 D734,991 S \* 7/2015 Carlson ..... D7/602  
 D751,349 S \* 3/2016 Carlson ..... D7/629  
 D766,715 S \* 9/2016 Buck ..... D9/432  
 D780,573 S \* 3/2017 Son ..... D9/425  
 D787,275 S \* 5/2017 Carlson ..... D7/602  
 D795,015 S \* 8/2017 Segal ..... D7/542  
 D803,637 S \* 11/2017 Feng ..... D7/629  
 D810,285 S \* 2/2018 Adams ..... D24/123  
 D813,609 S \* 3/2018 Chauhan ..... D7/543  
 D830,790 S \* 10/2018 Lee ..... D7/629  
 D838,108 S \* 1/2019 Samartgis ..... D3/318  
 D838,484 S \* 1/2019 Samartgis ..... D3/318  
 D854,380 S \* 7/2019 Yang ..... D7/602  
 10,450,104 B2 \* 10/2019 Han ..... B65D 21/0223  
 10,730,670 B2 \* 8/2020 Lee ..... B65D 43/0208  
 D908,440 S \* 1/2021 Samartgis ..... D7/602  
 D908,441 S \* 1/2021 Samartgis ..... D7/602  
 D909,141 S \* 2/2021 Hartley ..... D7/602  
 D913,044 S \* 3/2021 Samartgis ..... D7/602  
 D913,045 S \* 3/2021 Samartgis ..... D7/602  
 2007/0095837 A1 \* 5/2007 Meier ..... B65D 45/16  
 220/324  
 2007/0235452 A1 \* 10/2007 Killinger ..... B42F 17/08  
 220/326  
 2009/0289066 A1 \* 11/2009 DiPietro ..... B65D 43/0212  
 220/324  
 2010/0200588 A1 \* 8/2010 Bergman ..... B65D 81/2038  
 220/203.01  
 2012/0267369 A1 \* 10/2012 Duvigneau ..... B29C 45/0081  
 220/203.01  
 2013/0020325 A1 \* 1/2013 Stone ..... B65D 43/0235  
 220/270  
 2014/0299227 A1 \* 10/2014 Dix ..... B65B 25/04  
 141/11  
 2014/0312046 A1 \* 10/2014 Yang ..... B65D 43/0254  
 220/792  
 2015/0014320 A1 \* 1/2015 Koo ..... B65D 45/20  
 220/324  
 2015/0232242 A1 \* 8/2015 Carlson ..... B65D 53/02  
 220/367.1  
 2016/0000271 A1 \* 1/2016 Park ..... B65D 81/2038  
 220/203.29  
 2016/0045054 A1 \* 2/2016 Su ..... A47J 47/14  
 99/403  
 2016/0332785 A1 \* 11/2016 Sexton ..... B65D 45/20  
 2018/0265263 A1 \* 9/2018 Li ..... B65D 45/20  
 2019/0202607 A1 \* 7/2019 Lee ..... A45C 11/20  
 2019/0233177 A1 \* 8/2019 Han ..... B65D 81/3818  
 2020/0002061 A1 \* 1/2020 Samartgis ..... B65D 45/20  
 2020/0002062 A1 \* 1/2020 Liu ..... B65D 85/36

\* cited by examiner

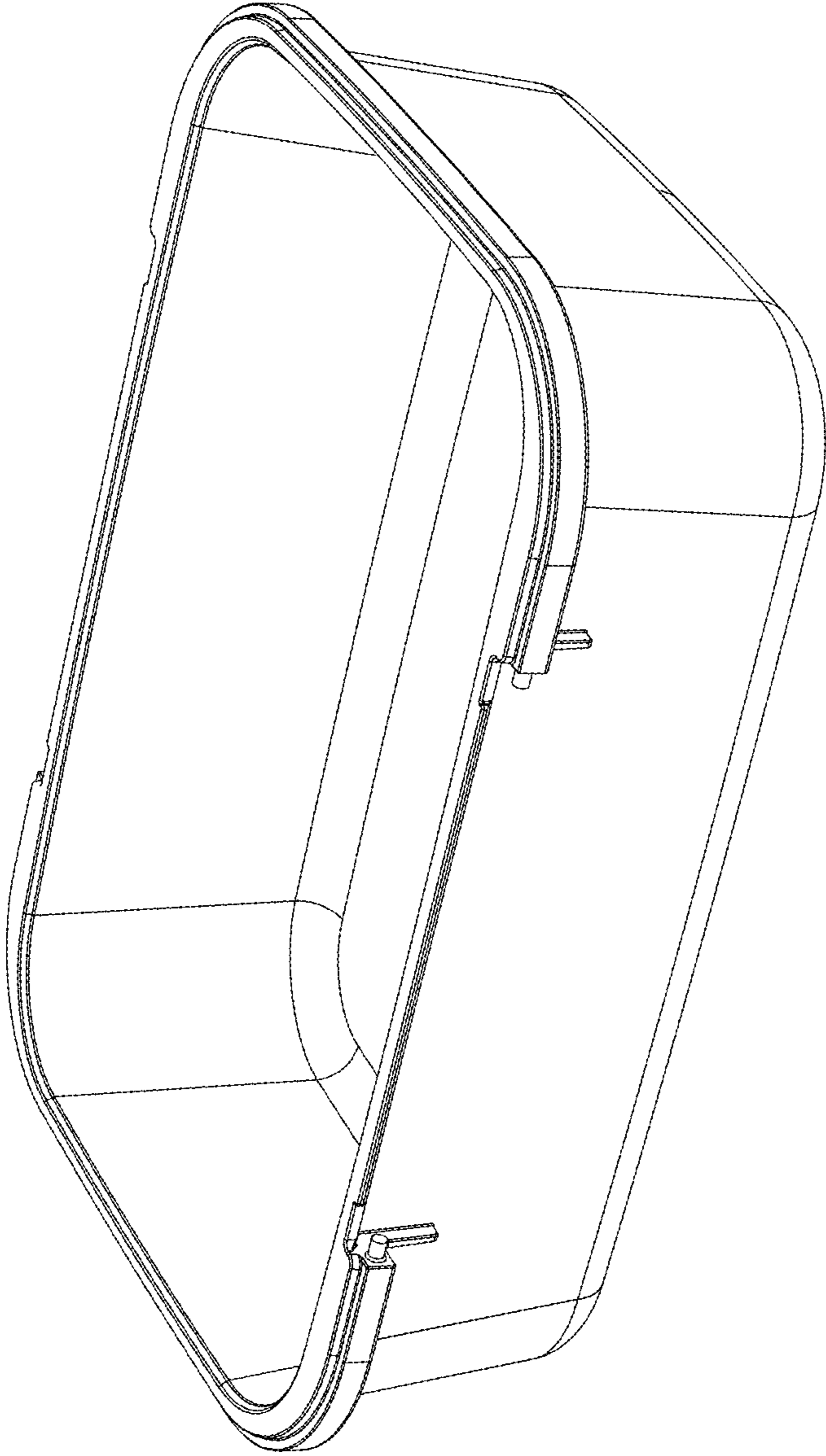


Figure 1

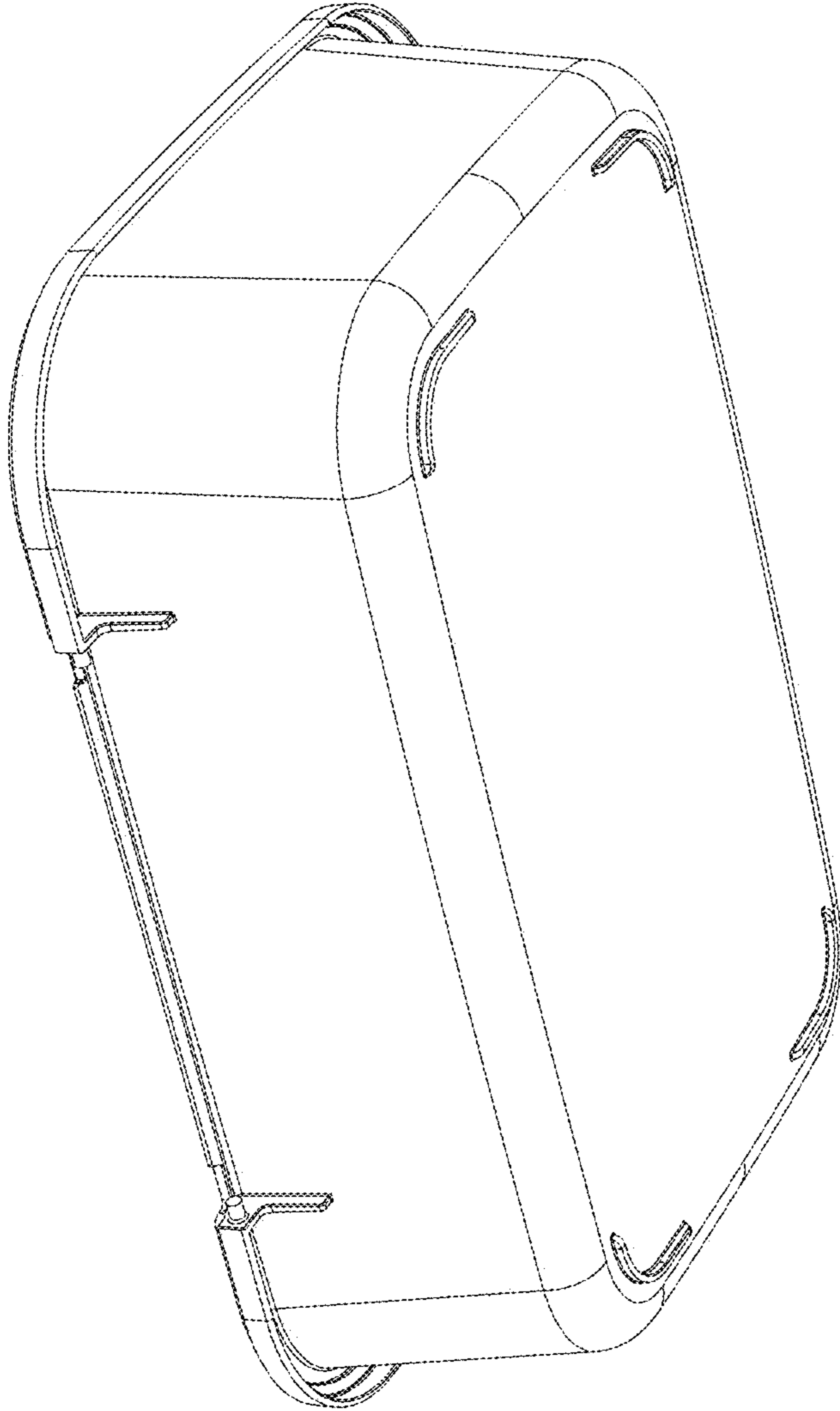


Figure 2

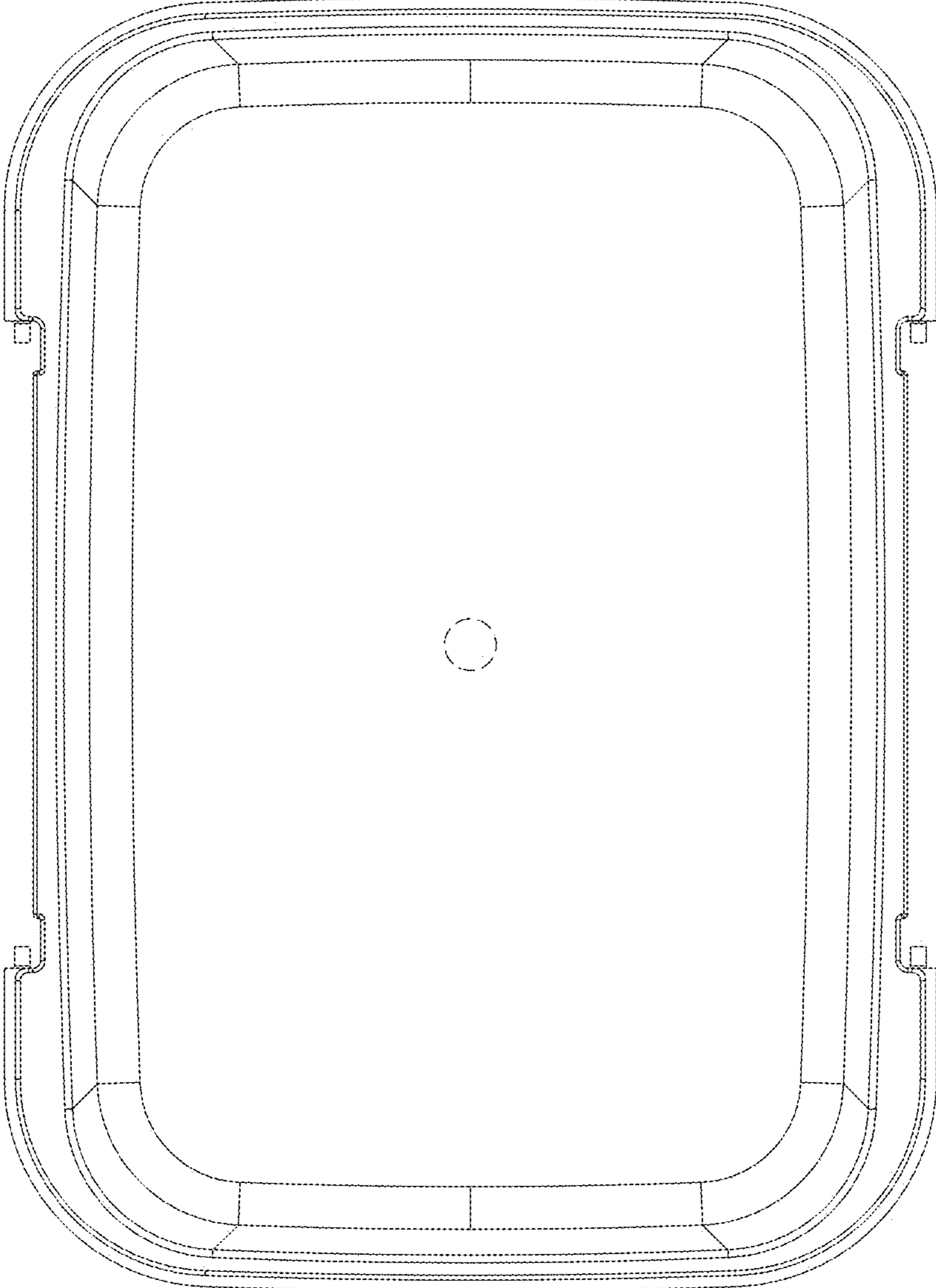
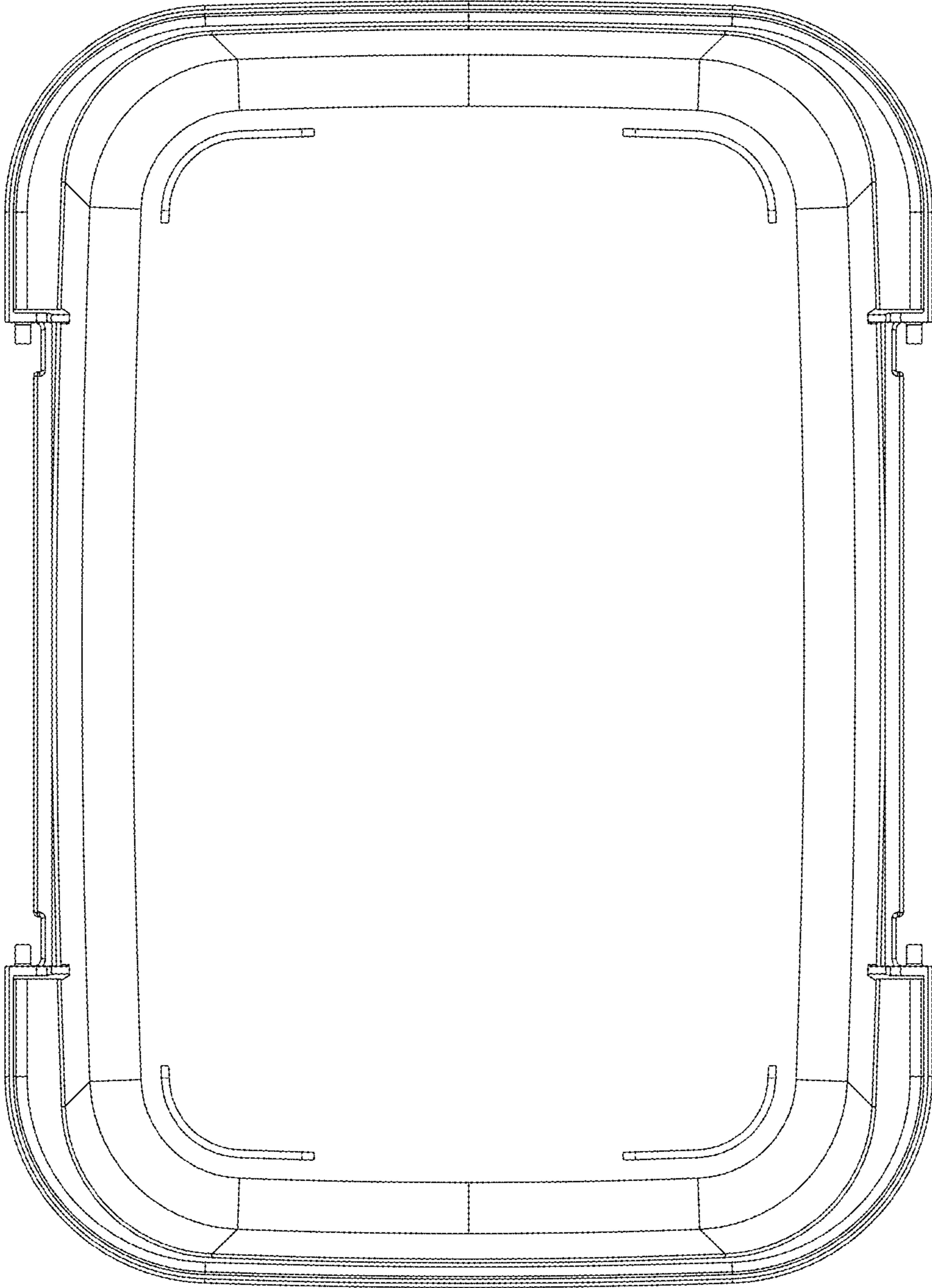


Figure 3



**Figure 4**

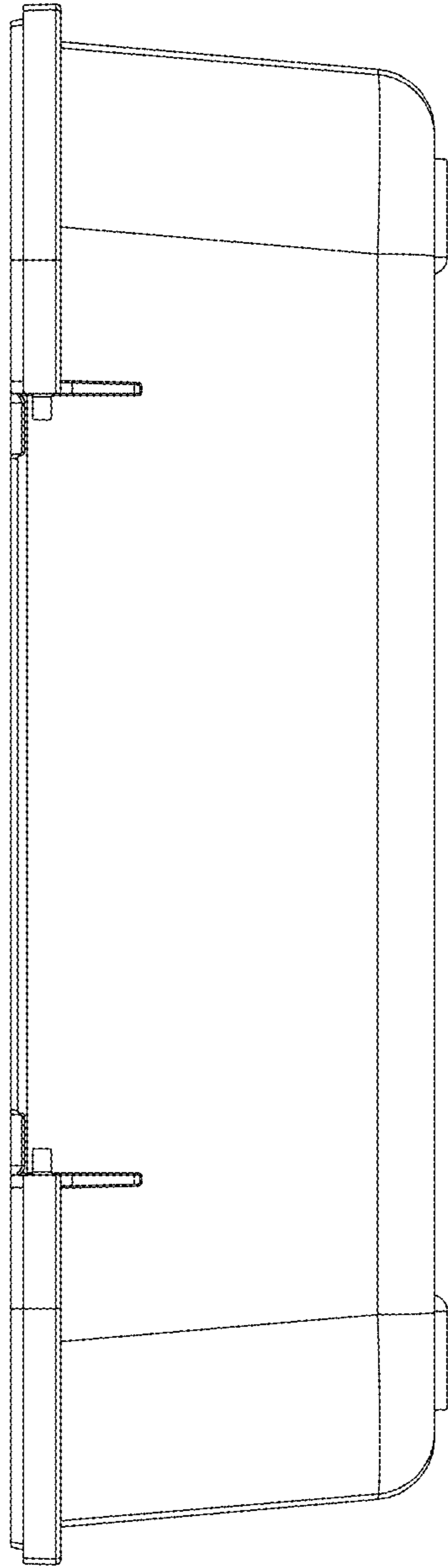


Figure 5

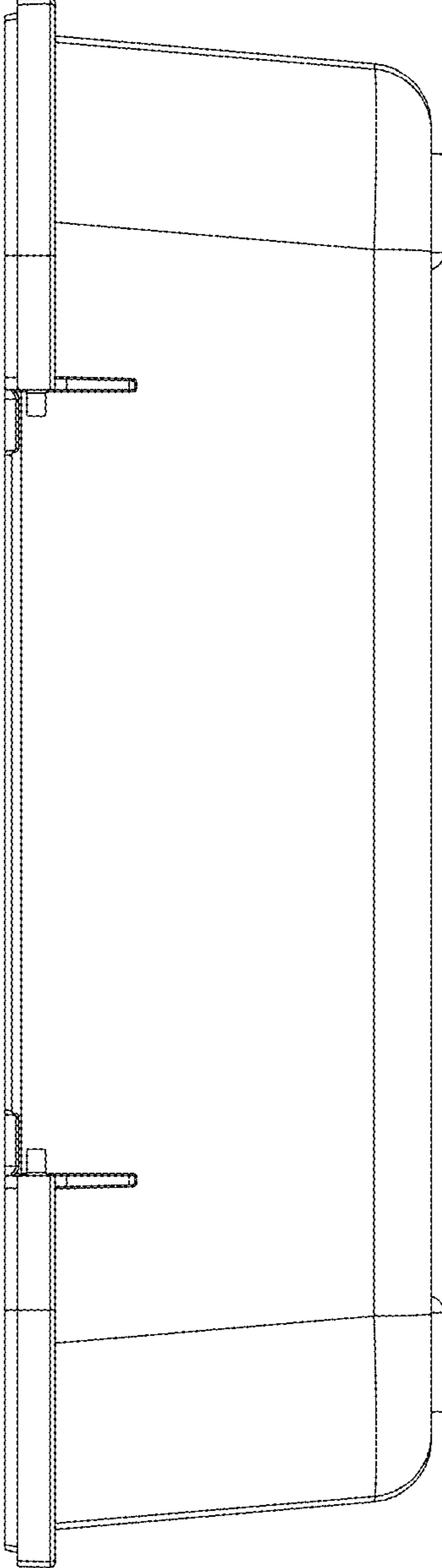


Figure 6



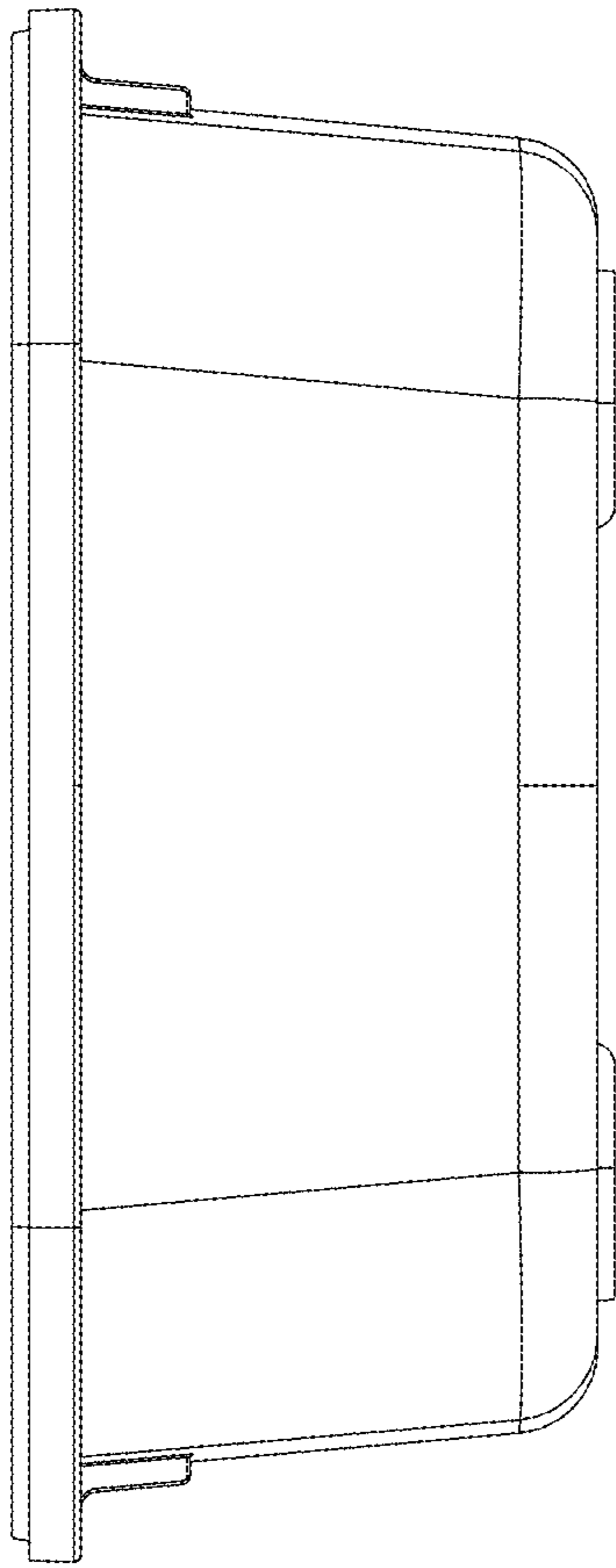


Figure 7

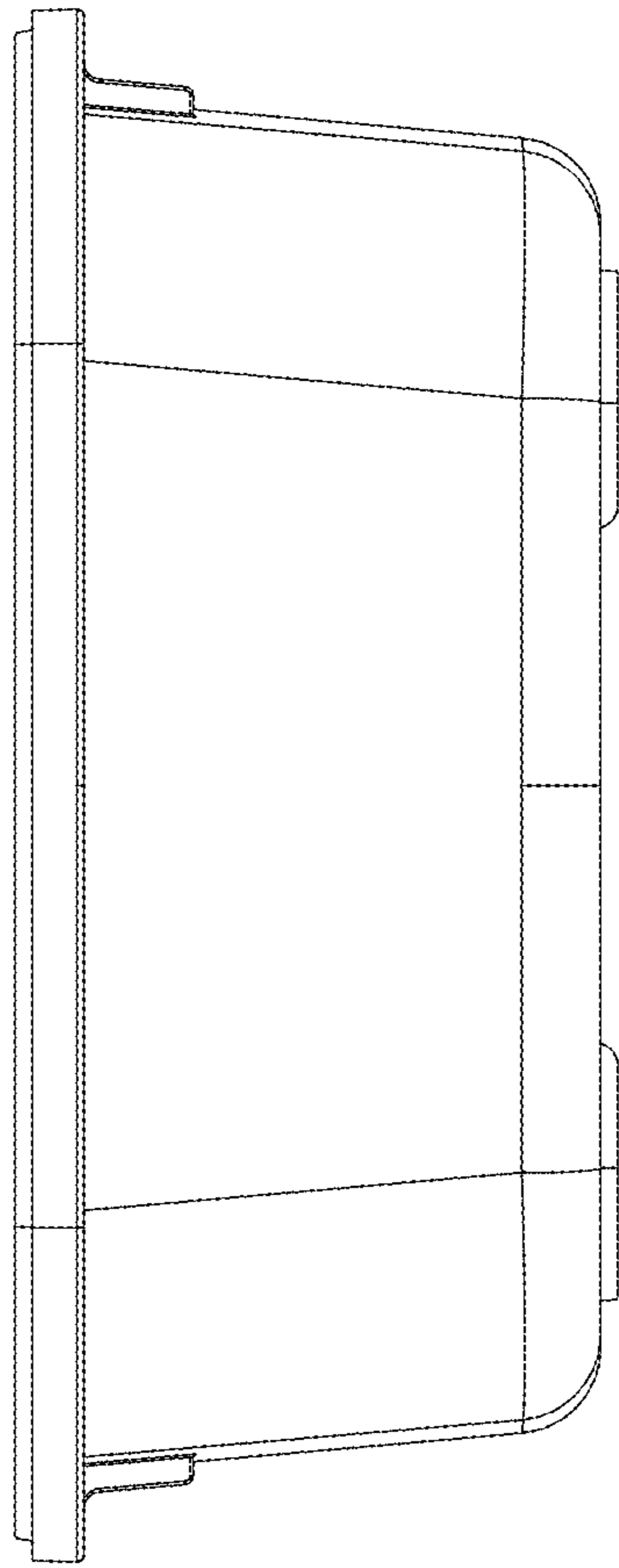


Figure 8

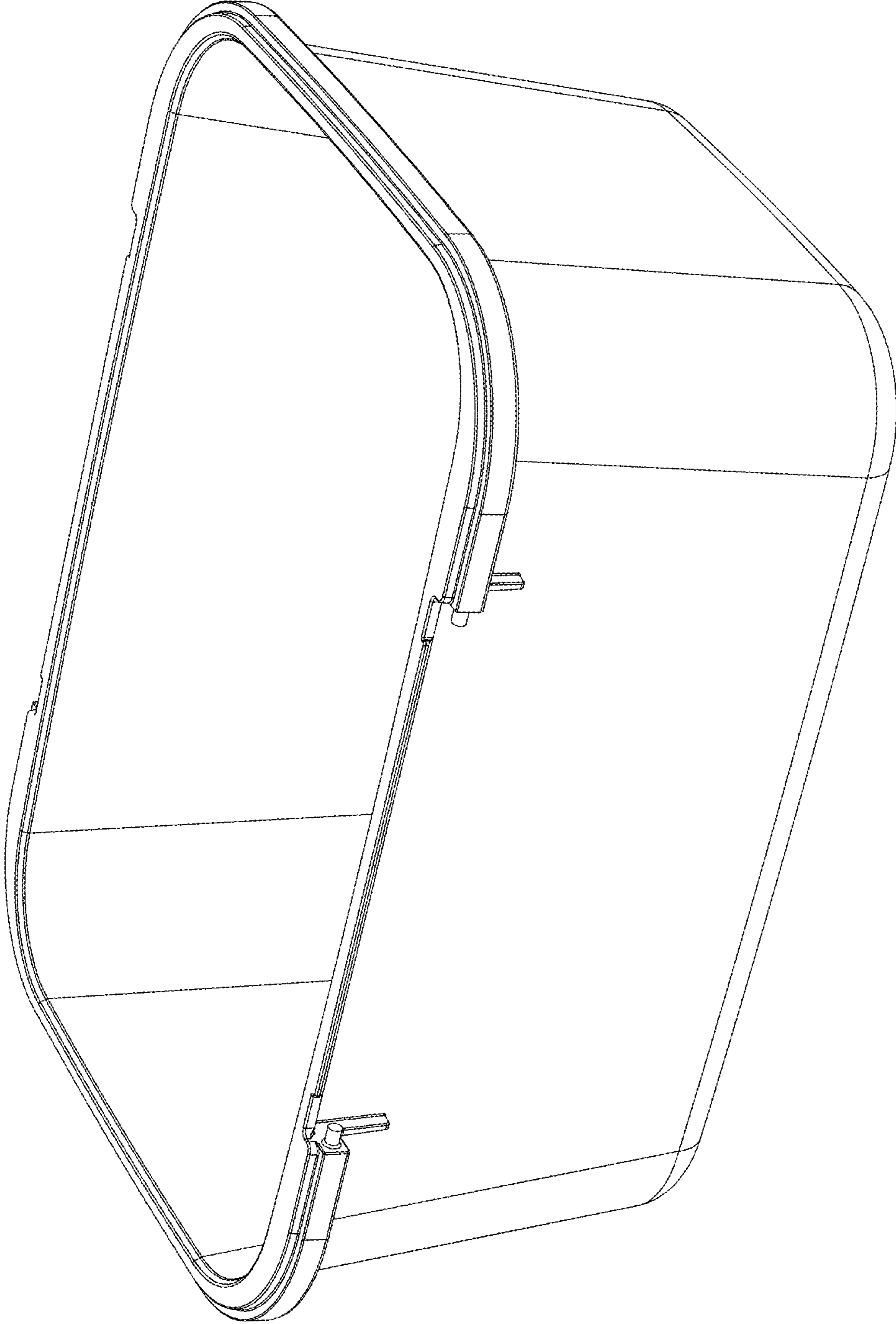
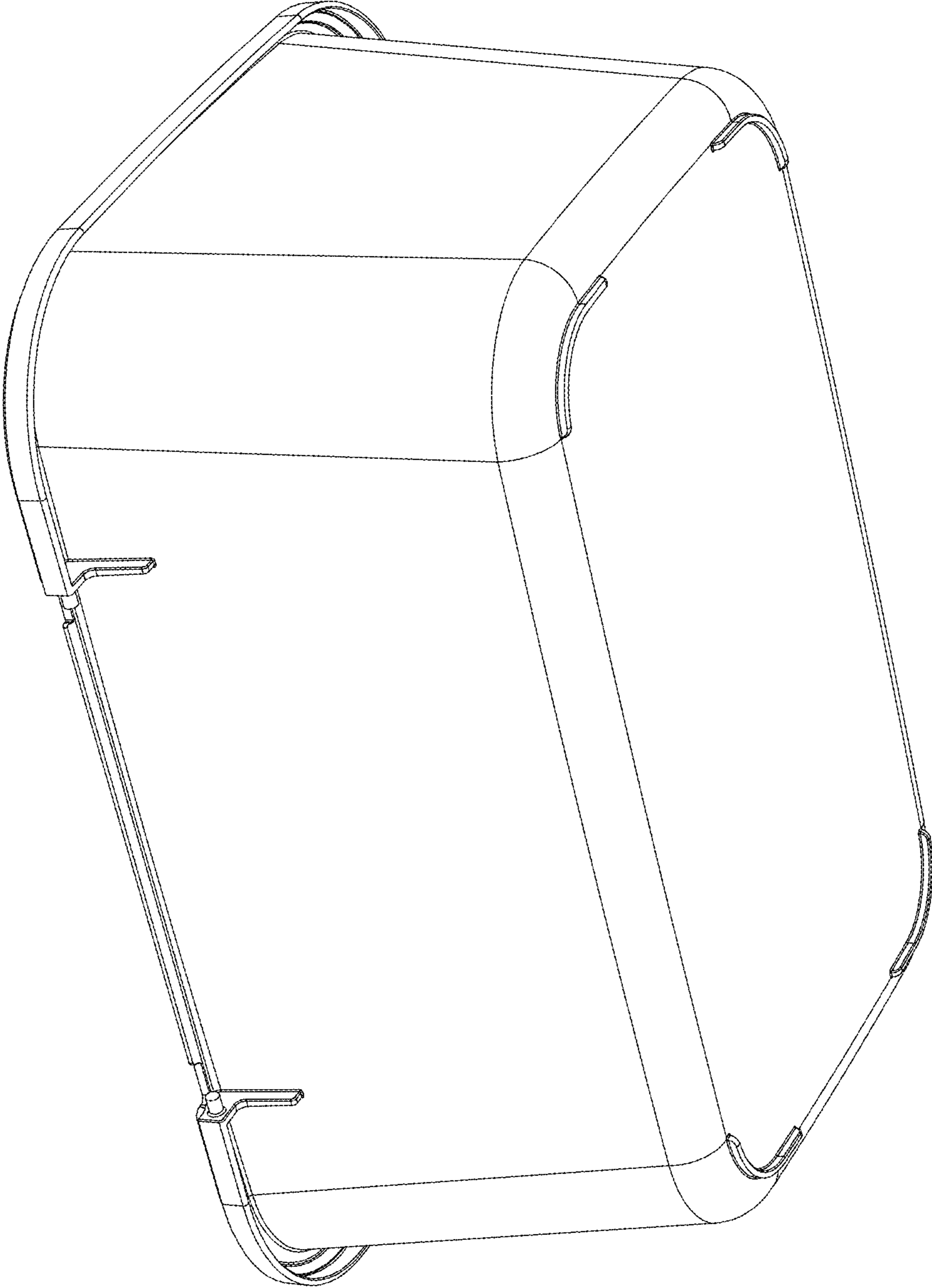


Figure 9



**Figure 10**

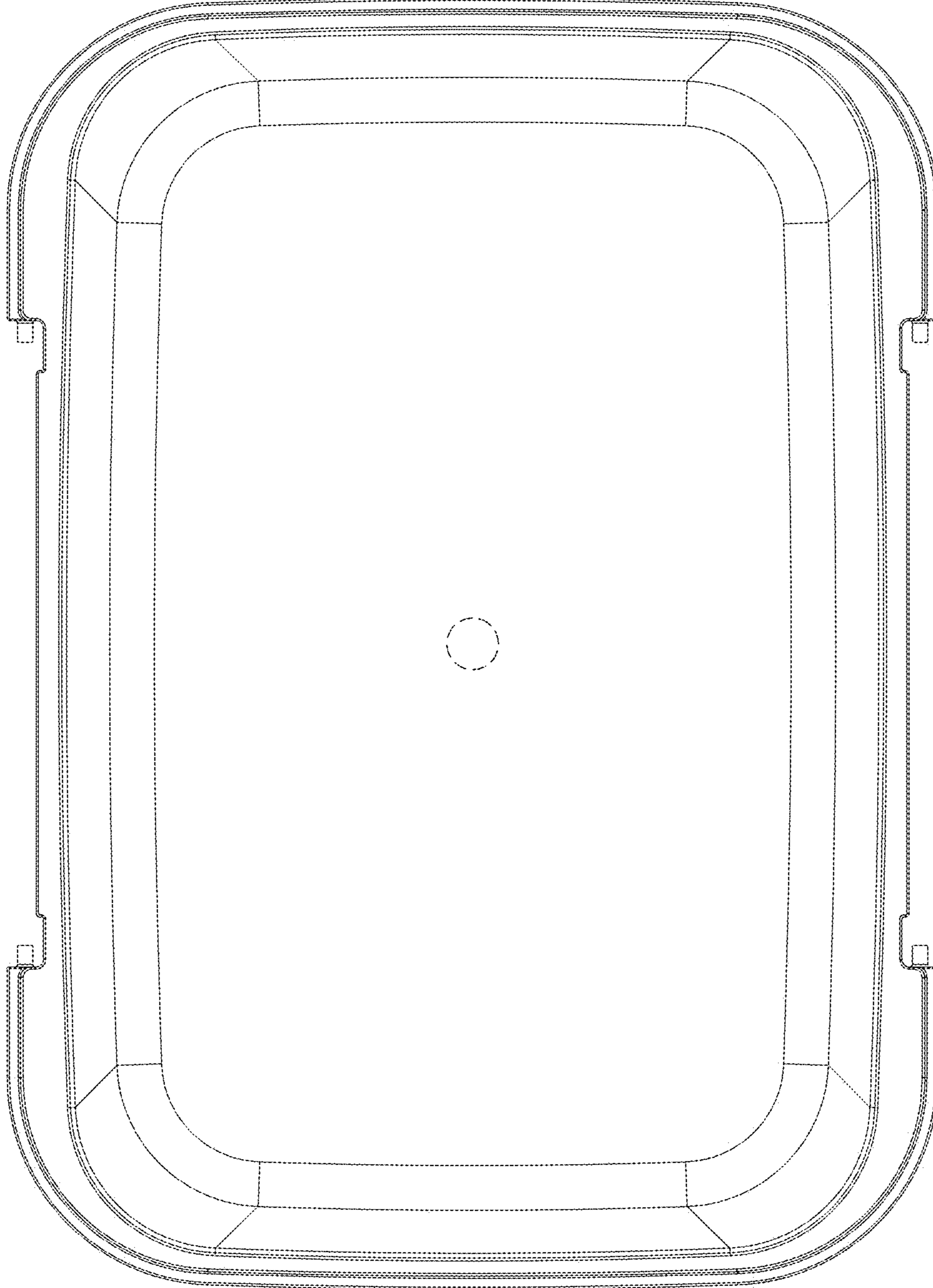


Figure 11

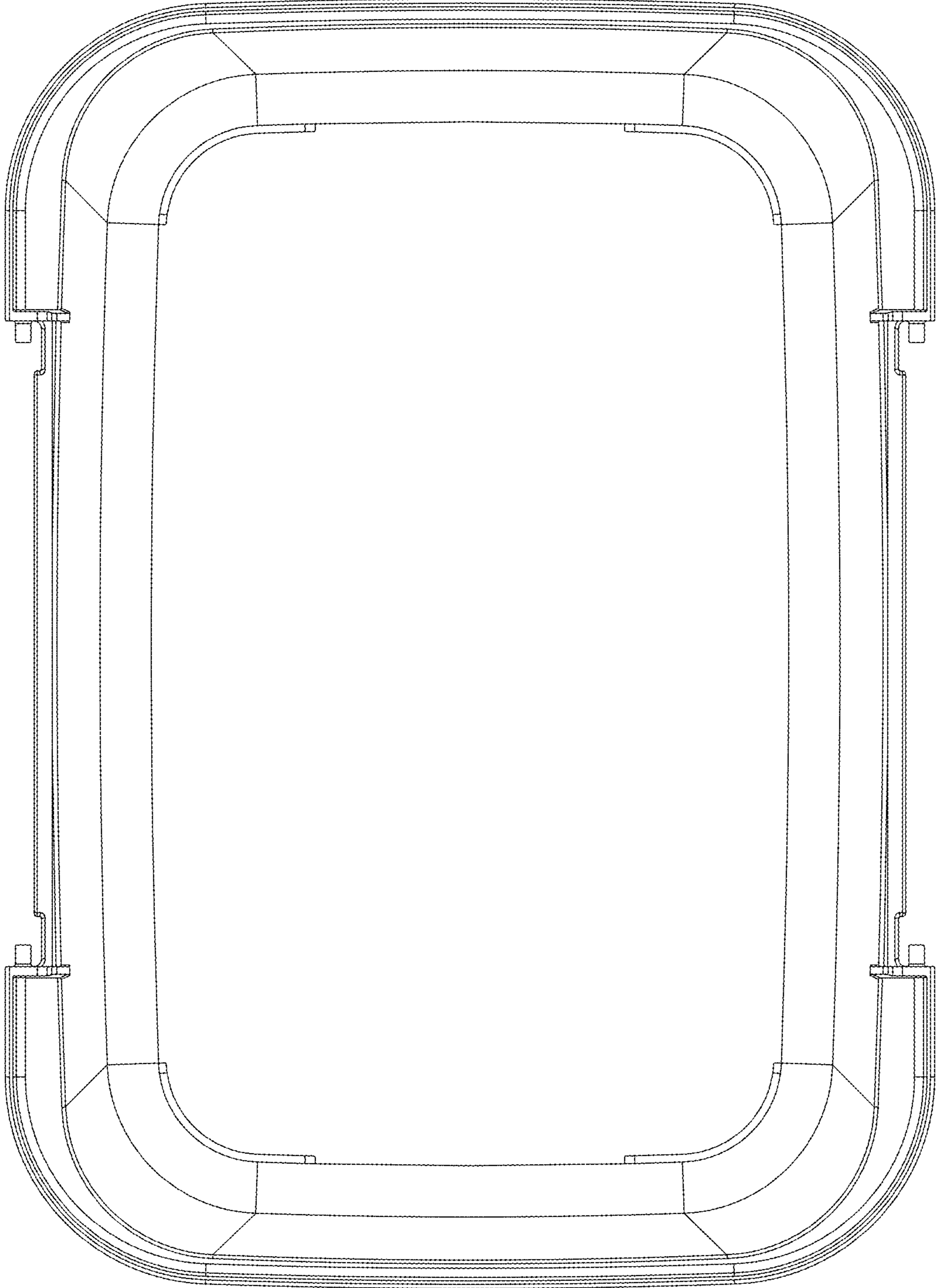


Figure 12

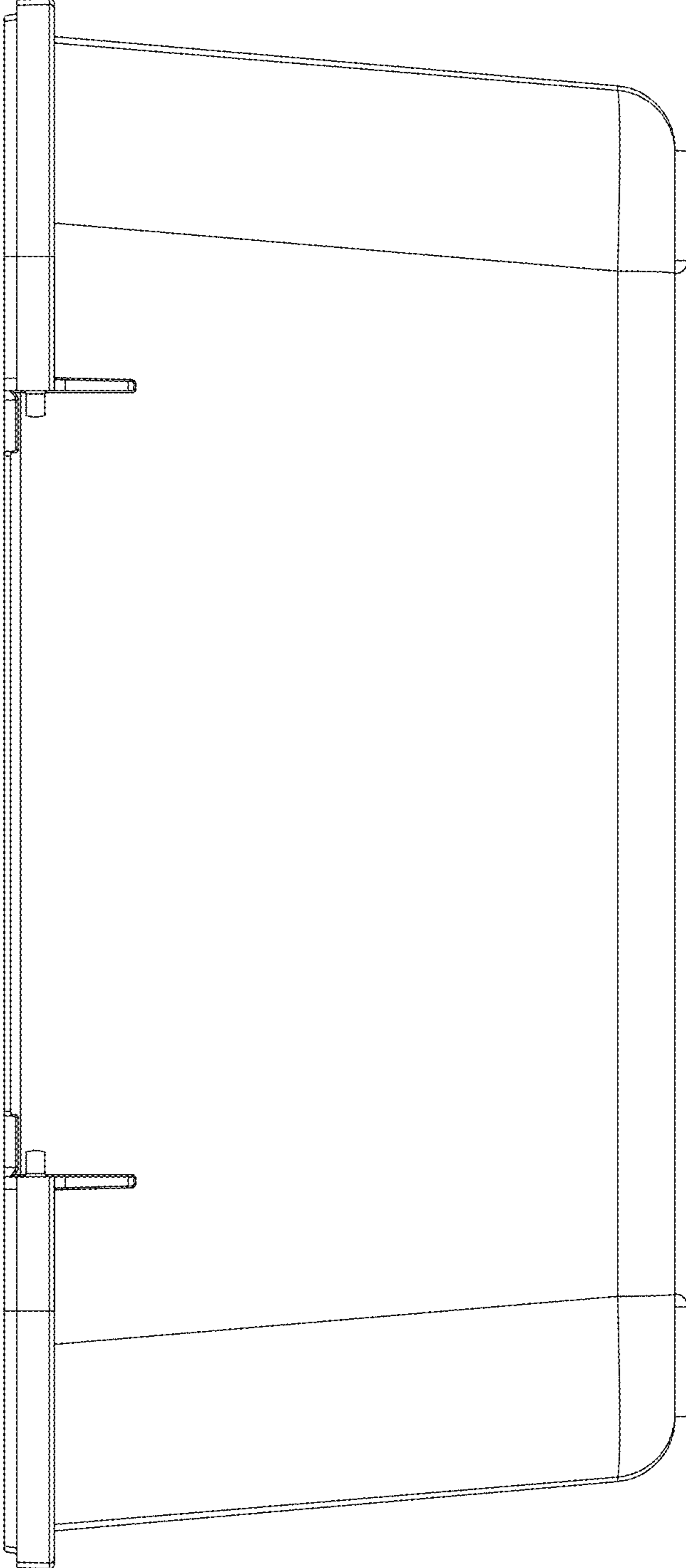


Figure 13

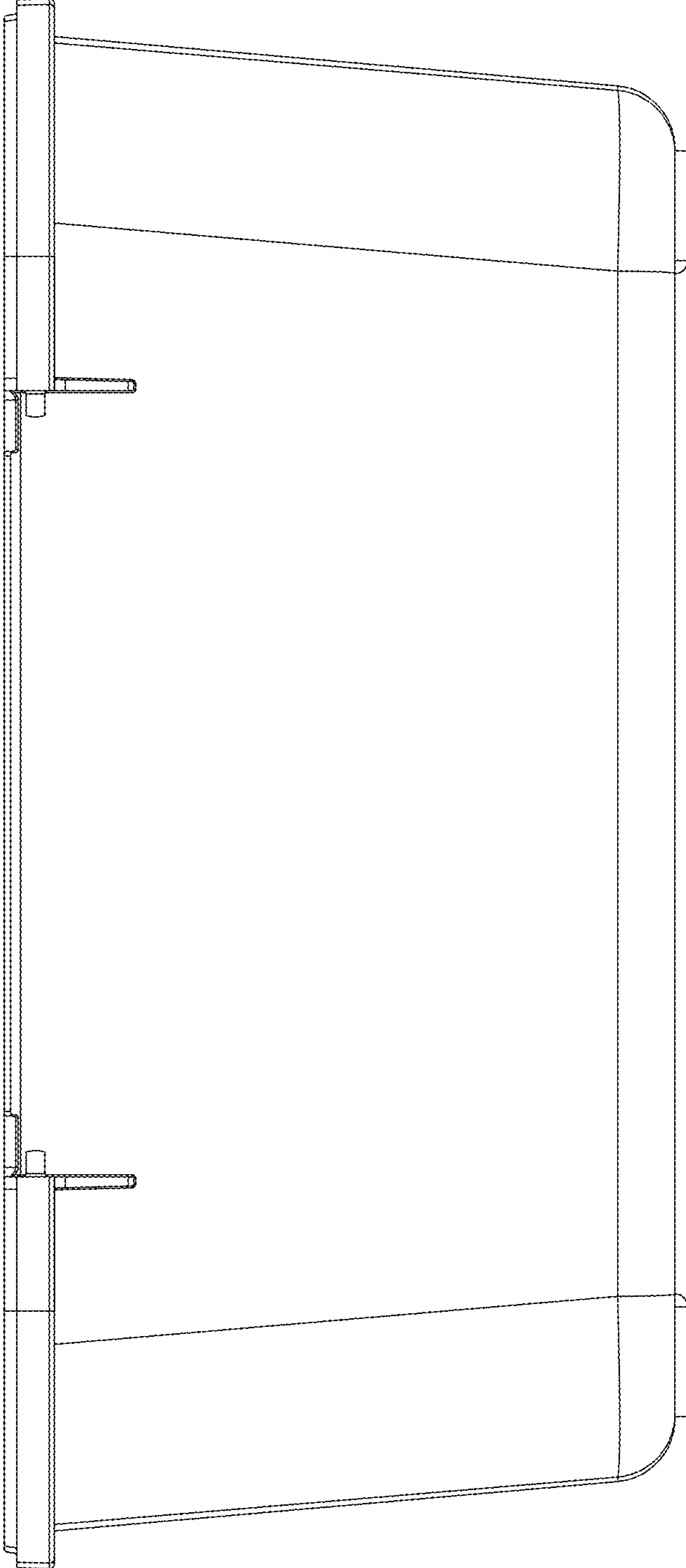


Figure 14



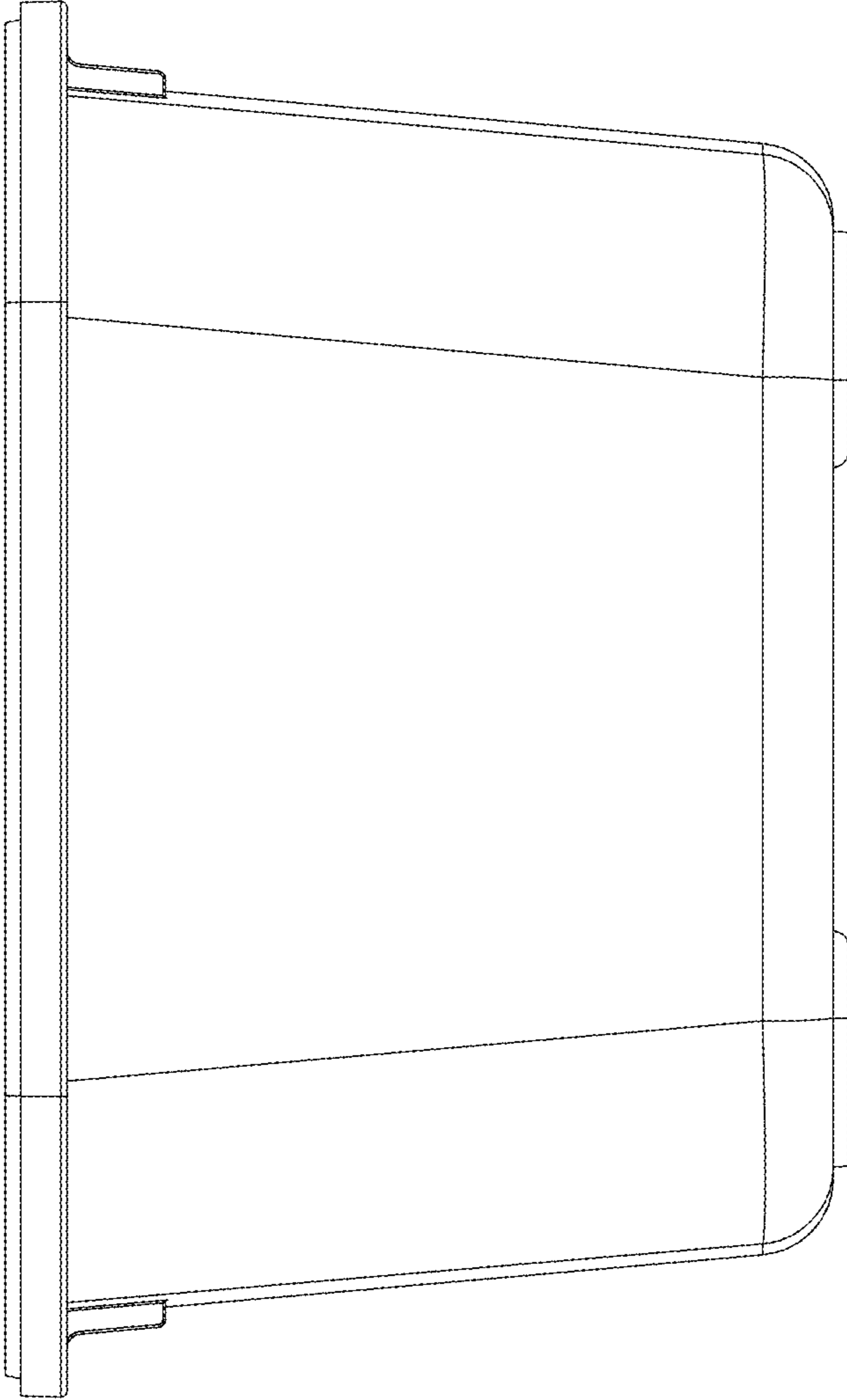


Figure 15

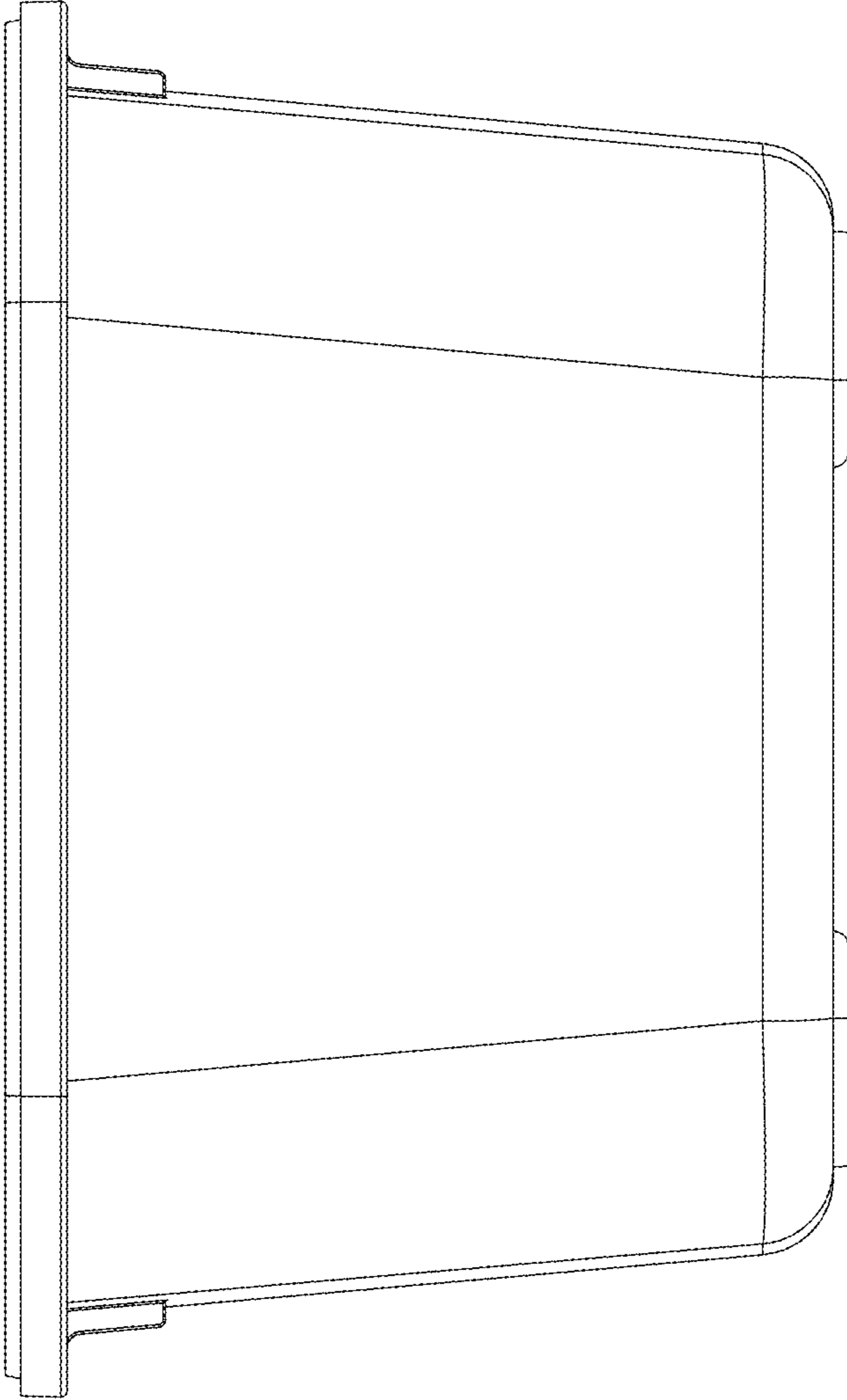


Figure 16