



US00D934634S

(12) **United States Design Patent**
Stier

(10) **Patent No.:** **US D934,634 S**

(45) **Date of Patent:** **** Nov. 2, 2021**

- (54) **CONTAINER WITH LID**
- (71) Applicant: **Nassau Candy Distributors, Inc.**,
Hicksville, NY (US)
- (72) Inventor: **Lance Stier**, Roslyn, NY (US)
- (73) Assignee: **Nassau Candy Distributors, Inc.**,
Hicksville, NY (US)
- (**) Term: **15 Years**
- (21) Appl. No.: **29/719,149**
- (22) Filed: **Dec. 31, 2019**
- (51) **LOC (13) Cl.** **07-01**
- (52) **U.S. Cl.**
USPC **D7/539; D7/538**
- (58) **Field of Classification Search**
USPC D7/587, 500, 555, 504, 541, 538, 539;
220/574, 784, 575, 592.28
CPC A47G 19/02
See application file for complete search history.

- D824,252 S * 7/2018 Oldham D9/432
- D887,270 S * 6/2020 Elizondo D9/456
- D894,291 S * 8/2020 Poulus D21/478
- D899,940 S * 10/2020 Wiseman D9/643
- D902,018 S * 11/2020 Coulter D8/356
- D917,629 S * 4/2021 Plotkin-Swing D21/480

* cited by examiner

Primary Examiner — Cynthia R Underwood
(74) *Attorney, Agent, or Firm* — Schroeder Law PC

(56) **References Cited**

U.S. PATENT DOCUMENTS

- D66,246 S * 12/1924 Rico D19/80
- D73,953 S * 11/1927 Abrahams D7/539
- D145,911 S * 11/1946 Smith D7/539
- D399,075 S * 10/1998 Muntener D6/674
- D427,247 S * 6/2000 Mangeret D21/478
- D561,048 S * 2/2008 Weinstein D10/6
- D592,463 S * 5/2009 Ehrenhaus D7/613
- D652,447 S * 1/2012 Knox, Jr. D19/2

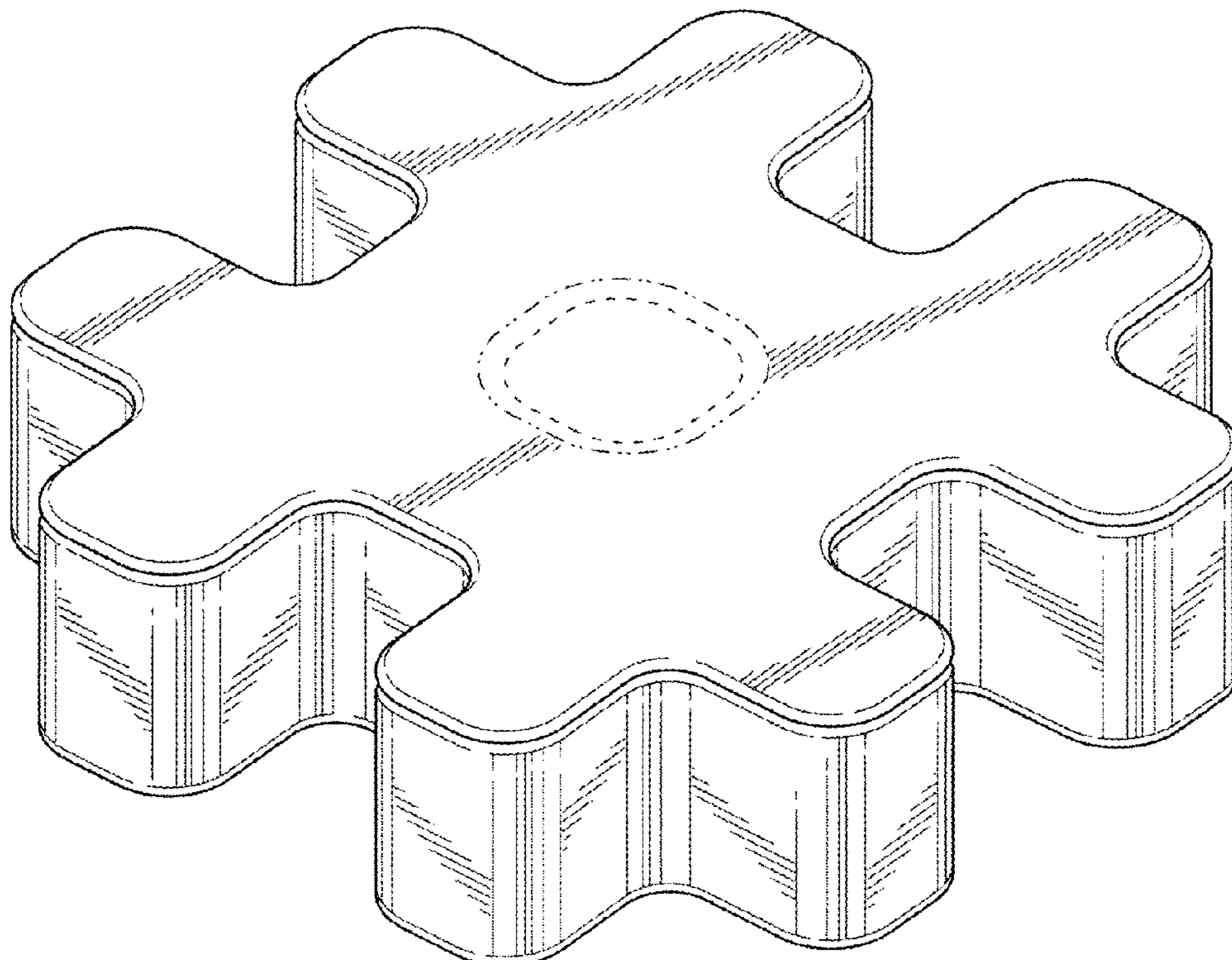
(57) **CLAIM**

The ornamental design for a container with lid, as shown and described.

DESCRIPTION

FIG. 1 is a front perspective view of a container with lid showing my new design;
 FIG. 2 is a front elevation view thereof;
 FIG. 3 is a right side elevation view thereof, the left side elevation being identical thereto;
 FIG. 4 is a top view thereof;
 FIG. 5 is a bottom view thereof; and,
 FIG. 6 is another front perspective view thereof with the lid exploded away.
 The broken lines represent portions of the structure that forms no part of the claim. The boundary lines represent a boundary of the claim. The space between those lines is also not part of the claim.

1 Claim, 5 Drawing Sheets



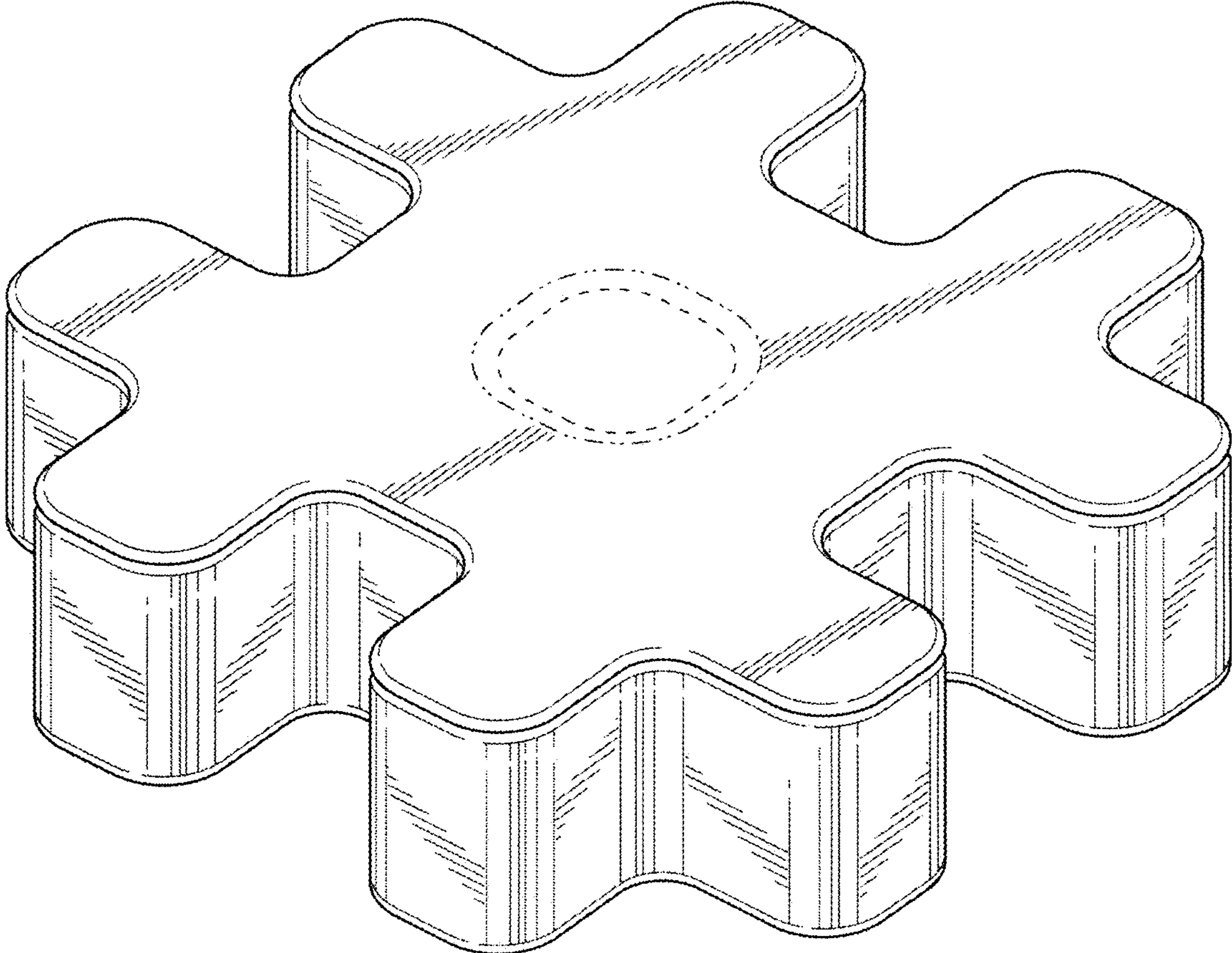


FIG. 1

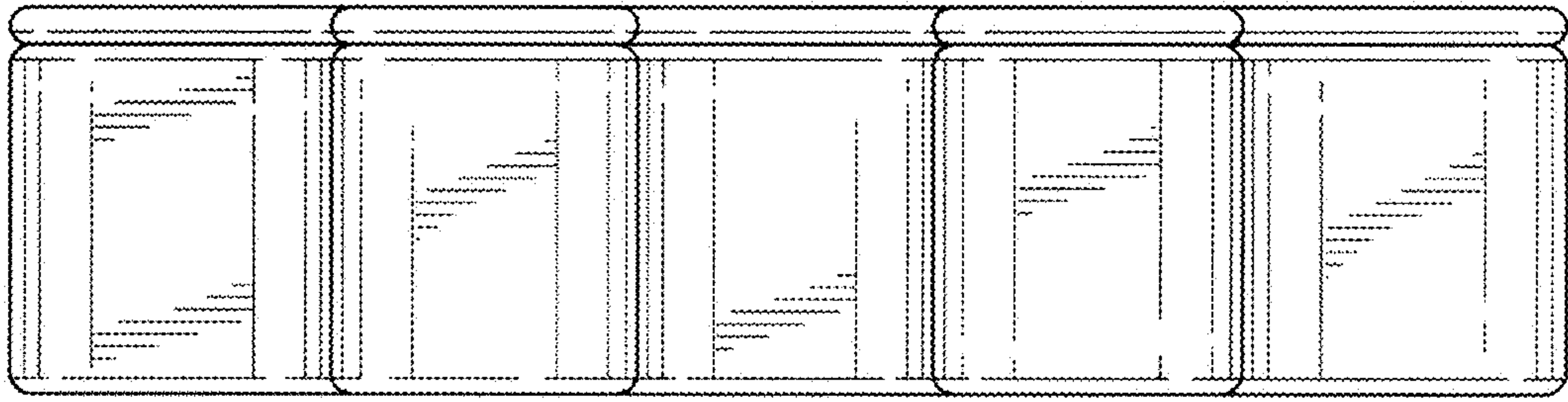


FIG. 2

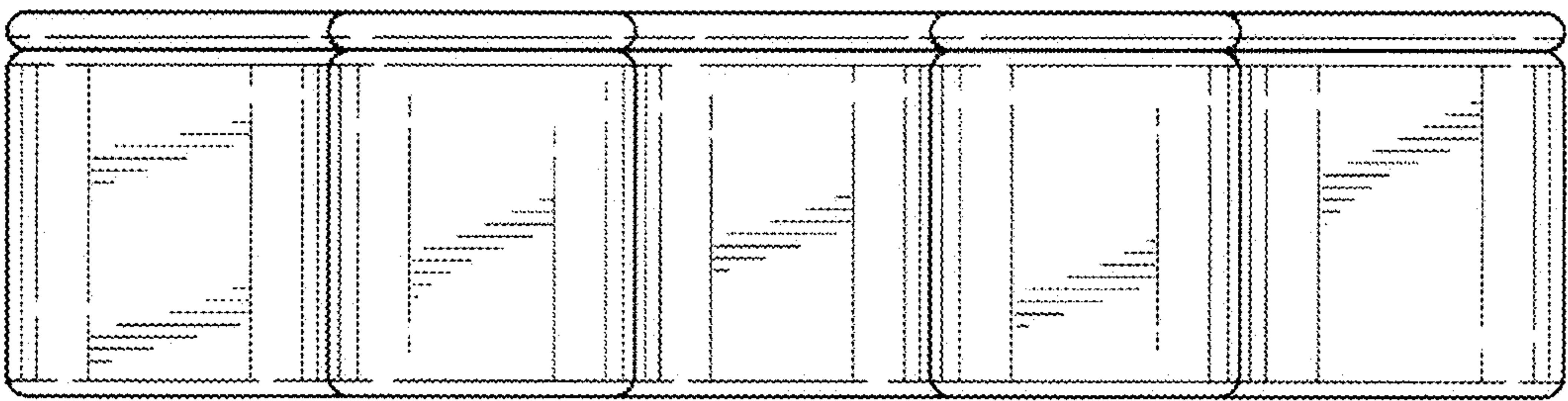


FIG. 3

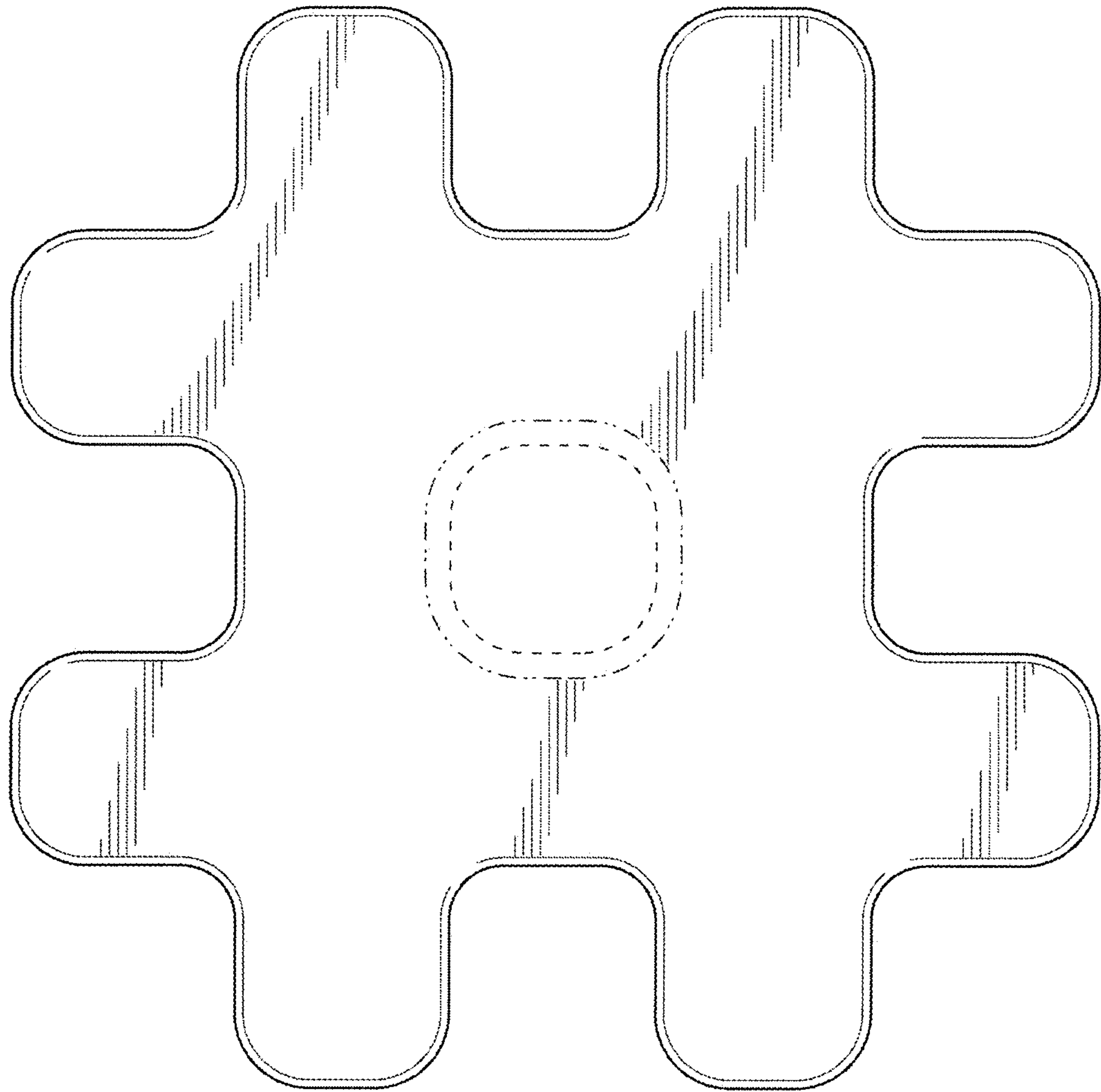


FIG. 4

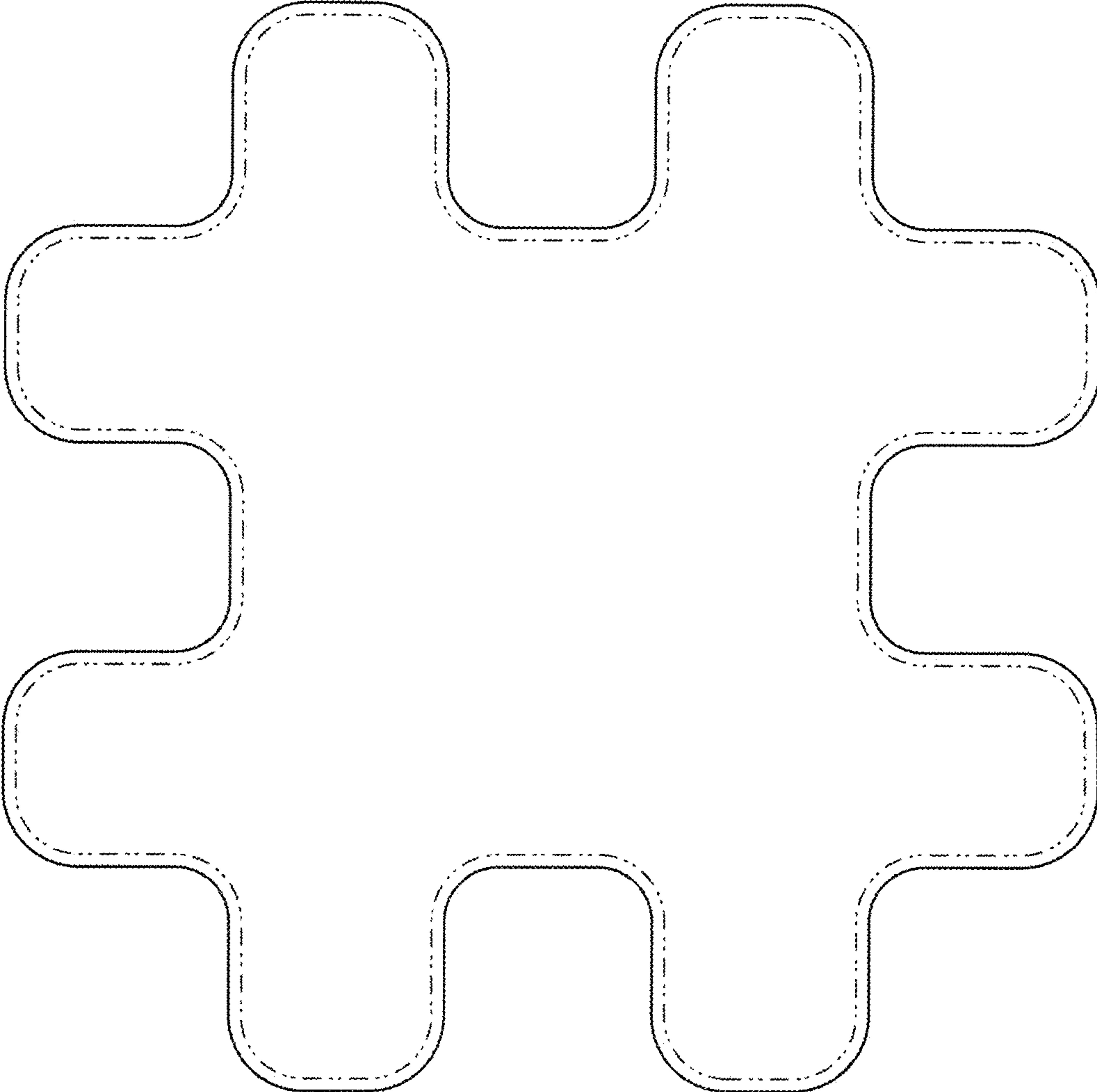


FIG. 5

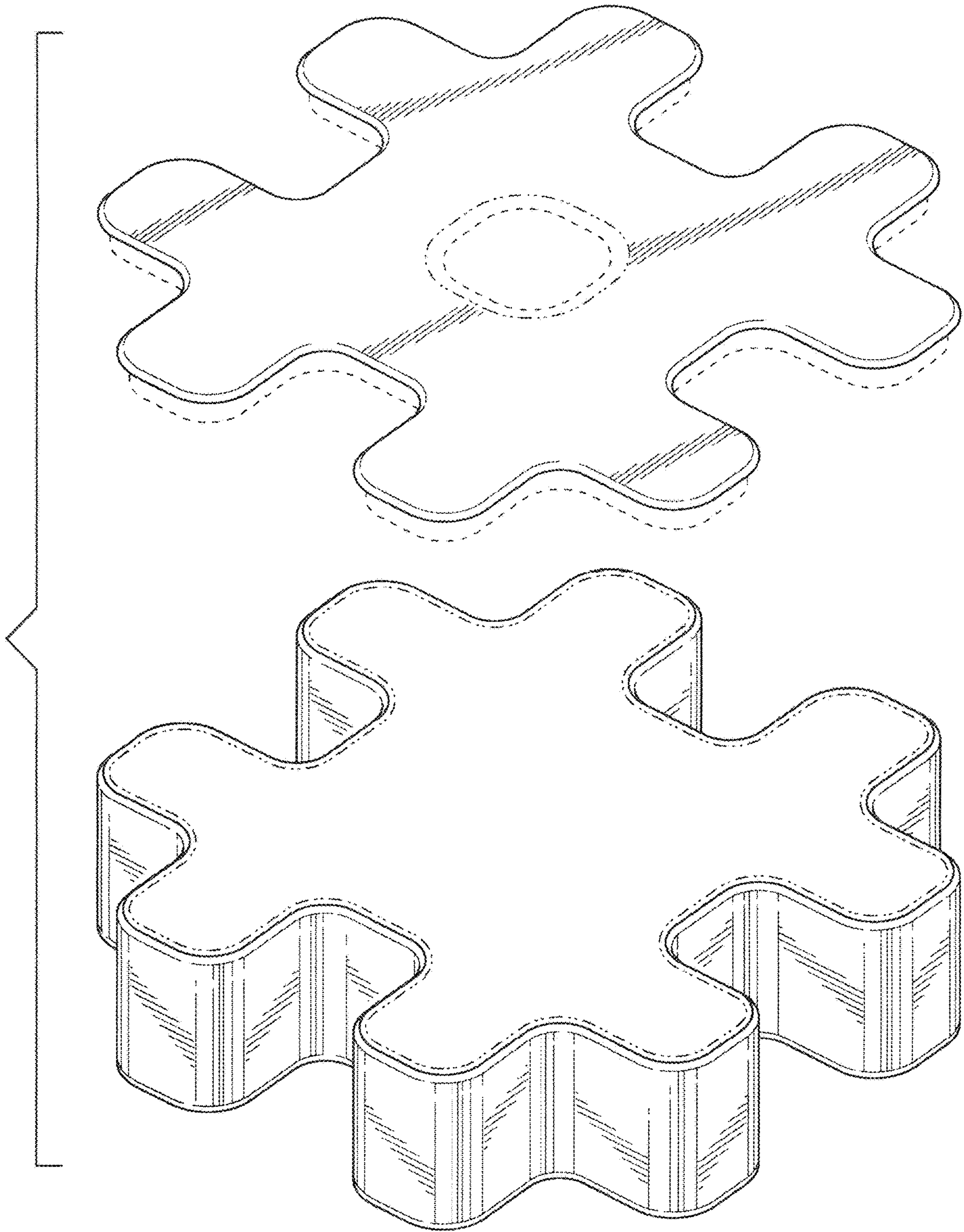


FIG. 6