



US00D934633S

(12) **United States Design Patent** (10) **Patent No.:** **US D934,633 S**
Hunter et al. (45) **Date of Patent:** **** Nov. 2, 2021**

(54) **CUP**
(71) Applicant: **YETI Coolers, LLC**, Austin, TX (US)
(72) Inventors: **Desiree Hunter**, Austin, TX (US); **Liza Morris**, Austin, TX (US); **Roy Joseph Seiders**, Austin, TX (US); **Mark Carlson Rane**, St. George, UT (US)
(73) Assignee: **YETI Coolers, LLC**, Austin, TX (US)
(**) Term: **15 Years**
(21) Appl. No.: **29/669,435**
(22) Filed: **Nov. 8, 2018**
(51) **LOC (13) Cl.** **07-01**
(52) **U.S. Cl.**
USPC **D7/536; D7/510**
(58) **Field of Classification Search**
USPC D7/507, 509, 510, 511, 513, 529, 531, D7/532, 523, 533, 534, 535, 536, 392.1, D7/296.1, 396.2, 300.1, 608, 300, 320, D7/624.1, 624.2; D3/202; D9/501, 502, D9/503, 504, 530, 529, 522, 554, 567, D9/571, 569, 449, 516, 523, 524, 543, D9/565, 575
CPC A47G 19/22; A47G 19/2288; A47G 19/2205; A47G 19/2211; A47J 41/0077; A45F 3/16
See application file for complete search history.

2,128,466 A 8/1938 Machotka
2,215,402 A 9/1940 McDonald
2,215,691 A 9/1940 East
2,378,867 A 6/1945 Reichart
(Continued)

FOREIGN PATENT DOCUMENTS

CN 2059327 U 7/1990
CN 3606899 2/2007
CN 3681232 8/2007
CN 300754212 3/2008
CN 201208219 Y 3/2009
CN 300959563 7/2009
CN 300959564 7/2009
CN 300959565 7/2009
CN 301026132 9/2009

(Continued)

OTHER PUBLICATIONS

https://www.amazon.com/YETI-Rambler-Stainless-Vacuum-Insulated/dp/B07FPWVVTN/ref=sr_1_2?dchild=1&keywords=yeti+mug&qid=1601304329&sr=8-2 (Year: 2017).*

(Continued)

Primary Examiner — Jae Liang
(74) *Attorney, Agent, or Firm* — Banner & Witcoff, Ltd.

(57) **CLAIM**

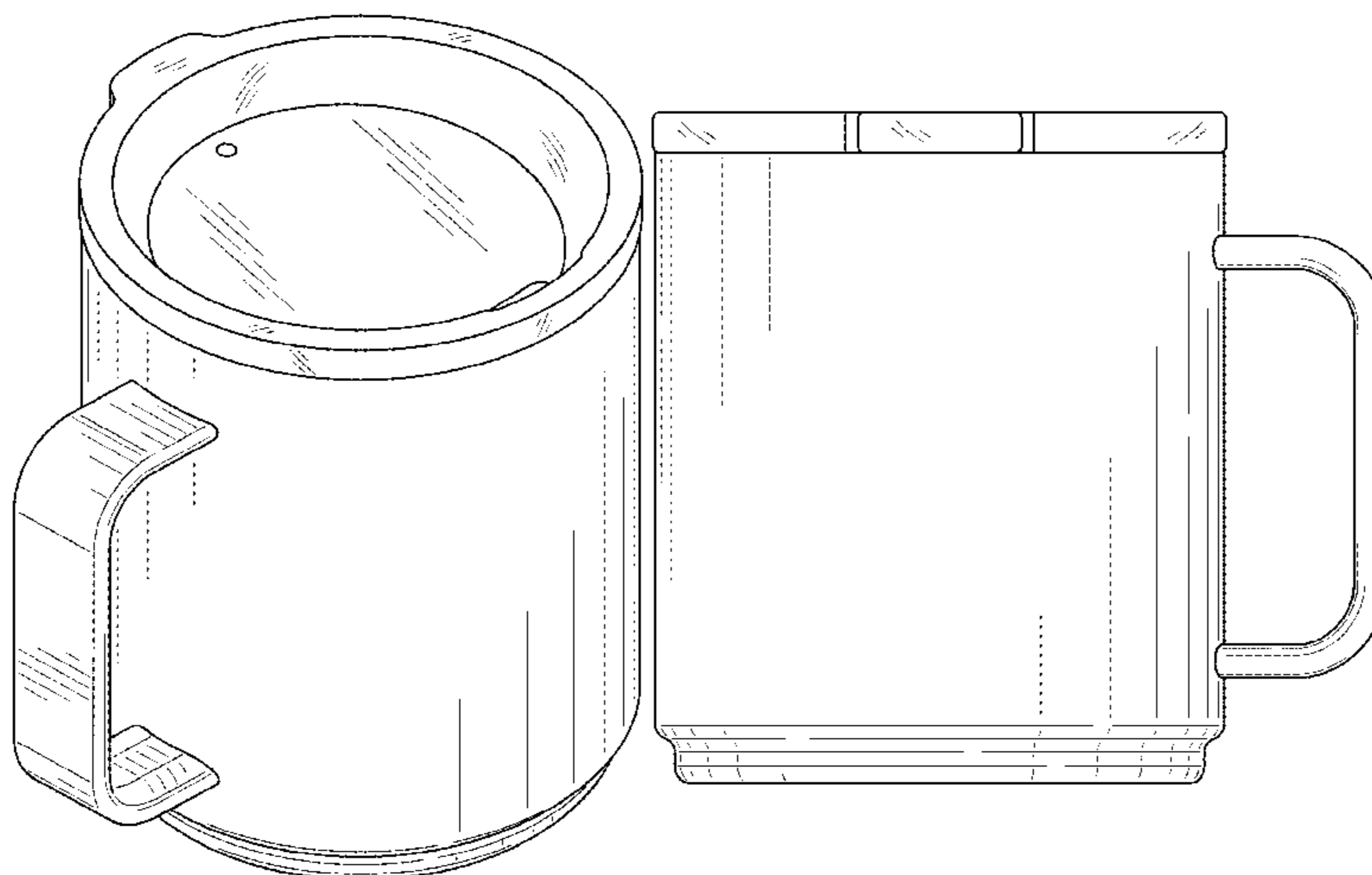
The ornamental design for a cup, as shown and described.

DESCRIPTION

FIG. 1 is a top, front, left perspective view of a cup showing my new design;
FIG. 2 is a front view thereof;
FIG. 3 is a rear view thereof;
FIG. 4 is a right side view thereof;
FIG. 5 is a left side view thereof;
FIG. 6 is a top view thereof;
FIG. 7 is a bottom view thereof; and,
FIG. 8 is a cross-sectional view at 8-8 in FIG. 6 thereof.
The broken lines depicting the remainder of the cup show features that form no part of the claimed design.

1 Claim, 5 Drawing Sheets

(56) **References Cited**
U.S. PATENT DOCUMENTS
D2,440 S 9/1866 Matthews, Jr.
604,514 A 5/1898 Belden
899,290 A 9/1908 Bricker et al.
1,133,420 A 3/1915 Young
D47,798 S 9/1915 Pick
1,191,319 A 7/1916 Kline
1,771,186 A 7/1930 Mock
2,029,429 A 2/1936 Koons
2,070,414 A 2/1937 Snell
D105,373 S 7/1937 Connor
2,088,387 A 7/1937 Rice, Jr. et al.



(56)

References Cited

U.S. PATENT DOCUMENTS

2,414,697 A	1/1947	Pettersson	D274,502 S	7/1984	Little
2,484,608 A	10/1949	Cheyney	D277,921 S	3/1985	Otto
2,610,489 A	9/1952	Clemensen	4,540,611 A	9/1985	Henderson
2,675,954 A	4/1954	Vogel	D285,032 S	8/1986	Alonzo
D177,559 S	5/1956	Emmert	D285,637 S	9/1986	Zieff et al.
2,871,051 A	1/1959	Nesslein et al.	D286,604 S	11/1986	Bierlein et al.
D186,555 S	11/1959	Hunt	4,620,642 A	11/1986	Wertz et al.
2,928,570 A	3/1960	Fitch	D286,967 S	12/1986	Appel
2,981,562 A	4/1961	Long	D288,766 S	3/1987	Tardif
3,118,560 A	1/1964	Cornelius	4,654,274 A	3/1987	DeMars
3,128,029 A	4/1964	Price	D289,143 S	4/1987	Guillaume
3,202,309 A	8/1965	Simpson	D289,484 S	4/1987	Forquer et al.
3,206,210 A	9/1965	Bard	4,715,633 A	12/1987	Brink et al.
3,261,633 A	7/1966	Sakuta	4,720,023 A	1/1988	Jeff
3,342,370 A	9/1967	Johnson	4,746,028 A *	5/1988	Bagg A47J 45/078 215/12.2
D209,308 S	11/1967	Schilling	D298,200 S	10/1988	Block et al.
3,353,729 A	11/1967	Hull	4,798,063 A	1/1989	Rimmer
D209,533 S	12/1967	Cole	D299,688 S	2/1989	Chung
D211,818 S	7/1968	Massey	D300,495 S	4/1989	Minuti
3,421,681 A	1/1969	Frank	D301,821 S	6/1989	Bartolo
3,458,164 A	7/1969	Massey	4,848,625 A	7/1989	Lucia
3,463,140 A	8/1969	Rollor	D307,089 S	4/1990	Lage
D217,781 S	6/1970	Stone	D309,545 S	7/1990	Ancona et al.
3,571,940 A	3/1971	Bender	4,953,743 A	9/1990	Dart et al.
3,578,524 A	5/1971	Ignell	D312,044 S	11/1990	Davis
3,602,386 A	8/1971	Brime	4,993,675 A	2/1991	Walker
3,603,106 A	9/1971	Ryan et al.	D318,428 S	7/1991	Kowk
3,679,253 A	7/1972	Simms	5,029,720 A	7/1991	Bridges
3,682,352 A	8/1972	Doucette	D319,755 S	9/1991	Guy
3,703,255 A	11/1972	Wade	D322,753 S	12/1991	Sussman
3,730,383 A	5/1973	Dunn et al.	D324,281 S	2/1992	Brussing
D227,532 S	7/1973	Refsgaard	D324,976 S	3/1992	Katz
3,753,512 A	8/1973	Curry	D327,093 S	6/1992	Evenson
3,755,030 A	8/1973	Doman et al.	5,168,140 A	12/1992	Welker
3,765,559 A	10/1973	Sauey et al.	D334,869 S	4/1993	Mills
D229,006 S	11/1973	Sauey	D337,029 S	7/1993	McKechnie
D231,068 S	4/1974	Douglas	5,249,703 A	10/1993	Karp
3,827,925 A	8/1974	Douglas	D345,676 S	4/1994	Biffle
3,971,471 A *	7/1976	Ludder B65D 1/265 206/519	D346,092 S	4/1994	Van De Velde
3,979,011 A	9/1976	Schleicher	D351,314 S *	10/1994	Sokolski D7/511
3,995,445 A	12/1976	Huskins	D352,201 S	11/1994	Spence, Jr.
4,027,779 A	6/1977	De Long	D352,210 S	11/1994	Cousins et al.
D246,029 S	10/1977	Lynn et al.	5,390,804 A	2/1995	Beggins
4,055,273 A	10/1977	Jones	5,398,842 A	3/1995	Sokolski et al.
D247,541 S	3/1978	Barger	5,400,907 A	3/1995	Chen
4,096,947 A	6/1978	Morse	D357,387 S	4/1995	Davidson et al.
4,120,073 A	10/1978	Studebaker	D358,531 S	5/1995	Cousins et al.
4,127,915 A	12/1978	Logan et al.	5,427,269 A	6/1995	Willbrandt
4,136,799 A	1/1979	Albert	D360,133 S	7/1995	Boiler
D250,986 S	2/1979	Thrush	5,433,337 A	7/1995	Willbrandt
D251,175 S	2/1979	Logan et al.	5,433,339 A	7/1995	Sarver
4,151,923 A	5/1979	Bernardi et al.	D362,369 S	9/1995	Bridges
4,163,374 A	8/1979	Moore et al.	D363,642 S	10/1995	Goto et al.
4,183,226 A	1/1980	Moore	5,467,891 A	11/1995	Perry
D254,417 S	3/1980	DeMars et al.	D366,186 S	1/1996	Kato
D256,418 S	8/1980	Corbett	D368,830 S	4/1996	Lu
D256,645 S *	9/1980	Keough D7/523	5,508,498 A	4/1996	Rheinisch et al.
D257,524 S	11/1980	Heinrich	D370,300 S	5/1996	Gottvald et al.
4,253,630 A	3/1981	Rigg	D372,167 S *	7/1996	Ahern, Jr. D7/523
D258,795 S	4/1981	Zamorski	5,531,353 A	7/1996	Ward et al.
4,261,501 A	4/1981	Watkins et al.	D372,839 S	8/1996	Laib
D263,581 S	3/1982	Kaye	D373,290 S	9/1996	Ballin
D265,159 S	6/1982	La Barbera	D375,870 S	11/1996	Stonehouse
D265,279 S	7/1982	Wright	5,573,141 A	11/1996	Chen
D265,880 S	8/1982	Craig	D377,132 S	1/1997	Jørgensen
4,344,303 A	8/1982	Kelly, Jr.	D377,741 S	2/1997	Bennett et al.
D266,305 S	9/1982	Scheurer	D379,738 S	6/1997	Liming et al.
D266,391 S	10/1982	Jordon	D379,740 S	6/1997	Miller
4,357,809 A	11/1982	Held et al.	D382,174 S	8/1997	Grimm
D269,147 S	5/1983	Trombly	5,655,805 A	8/1997	Shaddy
4,420,081 A	12/1983	Dart	D383,638 S	9/1997	Joergensen
4,452,374 A	6/1984	Hitchcock et al.	D384,246 S	9/1997	McKnight
4,452,375 A	6/1984	Marcus	D384,557 S	10/1997	Goza
4,456,134 A	6/1984	Cooper	D386,948 S	12/1997	Wissinger
			D395,200 S	6/1998	Bidwell
			D395,238 S	6/1998	Freitas
			5,769,262 A	6/1998	Yamada et al.
			D395,825 S	7/1998	Freitas

(56)

References Cited

U.S. PATENT DOCUMENTS

D396,381 S	7/1998	Chung	D462,879 S	9/2002	Martens
D396,384 S	7/1998	Slaten et al.	6,450,363 B1	9/2002	Lin
D396,605 S	8/1998	Benson	D463,715 S	10/2002	Dretzka
5,788,298 A	8/1998	Cheng	D465,132 S	11/2002	Janky et al.
5,799,369 A	9/1998	Schulein	D466,371 S	12/2002	Parker
D399,099 S	10/1998	Cousins	D466,814 S	12/2002	Hurlburt
5,816,631 A	10/1998	Kochan	D470,724 S	2/2003	Basara
5,820,016 A	10/1998	Stropkay	D471,064 S	3/2003	Renz
5,839,599 A	11/1998	Lin	D471,763 S	3/2003	Hurlbut et al.
D401,808 S	12/1998	Grivsky	D472,101 S	3/2003	Janky
D402,766 S	12/1998	Smith et al.	D472,145 S	3/2003	Nottingham et al.
5,848,722 A	12/1998	Hanes	D473,105 S	4/2003	Ayers et al.
D404,241 S	* 1/1999	Bagley D7/513	D474,651 S	5/2003	Ward
D404,974 S	2/1999	Kristinik	6,557,751 B2	5/2003	Puerini
D405,609 S	2/1999	Fu et al.	D476,193 S	6/2003	Janky
5,868,310 A	2/1999	Leszczynski	D476,528 S	7/2003	Janky et al.
D408,689 S	4/1999	Kato	D477,185 S	7/2003	Janky
D409,445 S	5/1999	Lage et al.	6,588,064 B2	7/2003	Baum
D412,806 S	8/1999	Pierce	6,626,326 B2	9/2003	Murakami
5,948,728 A	9/1999	Patton et al.	D483,165 S	12/2003	Dretzka
D415,651 S	10/1999	Trombly	D483,610 S	12/2003	Kerman
5,964,102 A	10/1999	Tsai	D483,995 S	12/2003	Otake
D416,444 S	11/1999	Jørgensen	D484,361 S	12/2003	Jeung
D416,757 S	11/1999	Ginuntoli	6,658,701 B1	12/2003	DeHart et al.
D417,589 S	12/1999	Parker	6,685,047 B1	2/2004	Mott et al.
D417,590 S	12/1999	Kato	D488,673 S	4/2004	Farce
D417,593 S	12/1999	Ruegg	D489,574 S	5/2004	Copeland
D417,819 S	12/1999	Kelly-Pollet	D490,274 S	5/2004	Irvine
D418,013 S	12/1999	Fujii	6,729,665 B1	5/2004	Posey et al.
6,050,443 A	4/2000	Tung	D493,068 S	7/2004	Slater et al.
6,065,609 A	5/2000	Lake	D493,332 S	7/2004	Bin
6,065,632 A	5/2000	Moore, Jr.	D497,079 S	10/2004	Paggio
D427,853 S	7/2000	Kohlhase	D497,778 S	11/2004	Rich
6,085,931 A	7/2000	Sadow	D502,050 S	2/2005	Munson et al.
D429,607 S	8/2000	Prim	D502,052 S	2/2005	Meade
6,094,935 A	8/2000	Stein	6,864,462 B2	3/2005	Sanoner et al.
6,102,458 A	8/2000	Scace	D507,155 S	7/2005	Gosen et al.
6,135,312 A	10/2000	Chen et al.	6,962,265 B1	11/2005	Zhang
D433,599 S	11/2000	Kristiansen et al.	D512,272 S	12/2005	Avrish
D433,876 S	11/2000	Freed	D512,275 S	12/2005	Kent-Fawkes
6,149,028 A	11/2000	Yu	6,979,031 B2	12/2005	Coppotelli et al.
6,161,720 A	12/2000	Castle	D521,802 S	5/2006	Sands
D436,295 S	1/2001	Furman et al.	D524,607 S	7/2006	Kent-Fawkes
D436,804 S	1/2001	Wolfe	D527,222 S	8/2006	Liu
D437,187 S	2/2001	Cheng	D530,852 S	10/2006	Zheng
6,216,909 B1	4/2001	Lin	D533,748 S	12/2006	Bresler
D441,288 S	5/2001	Pillers et al.	D534,396 S	1/2007	Kramer
D442,833 S	5/2001	Shuman	D537,676 S	3/2007	Kingsley
6,237,801 B1	5/2001	Liu	D537,677 S	3/2007	Bresler
6,241,415 B1	6/2001	Stark	7,195,137 B2	3/2007	Belcastro
D445,687 S	7/2001	Gilbertson	D540,124 S	4/2007	Ross
6,260,732 B1	7/2001	Khodush	7,201,285 B2	4/2007	Beggins
D446,687 S	8/2001	Furman et al.	7,207,538 B2	4/2007	Kent-Fawkes
D447,005 S	8/2001	Trombly	D547,611 S	7/2007	Seum et al.
6,332,557 B1	12/2001	Moran	D548,012 S	8/2007	Tien
6,352,168 B1	3/2002	Lin	D549,523 S	8/2007	Montes
6,352,235 B2	3/2002	Cizek	D552,932 S	10/2007	Carlson
6,360,913 B1	3/2002	Bruinsma et al.	D553,440 S	10/2007	Bodum
D455,047 S	4/2002	Wolfe et al.	D553,910 S	10/2007	Bodum
D455,048 S	4/2002	Marck	7,284,777 B1	10/2007	Kraemer
D455,052 S	4/2002	Gullickson et al.	D556,509 S	12/2007	Bonini
D455,610 S	4/2002	Bridges	D557,564 S	12/2007	Bodum
D455,612 S	4/2002	Gullickson et al.	D557,567 S	12/2007	Gronikowski et al.
D455,613 S	4/2002	Bruinsma et al.	D561,590 S	2/2008	Kingsley
D455,933 S	4/2002	Marck	D562,072 S	2/2008	Wahl
D456,578 S	4/2002	Smith et al.	D564,356 S	3/2008	Nickleberry
6,371,328 B1	4/2002	Yamada et al.	D565,900 S	4/2008	Franco
D457,036 S	5/2002	Manuel	D565,901 S	4/2008	Edelstein et al.
D457,245 S	5/2002	Royal et al.	D566,471 S	4/2008	Bodum
D457,389 S	5/2002	Snell	D567,590 S	4/2008	Bodum
6,392,206 B1	5/2002	Von Arx et al.	D568,685 S	5/2008	Bodum
D458,081 S	6/2002	Bodum	D569,183 S	5/2008	Blake
6,398,065 B1	6/2002	Lewis	H2217 H	6/2008	Smay et al.
6,409,038 B1	6/2002	Karp	D570,213 S	6/2008	Newman
D460,895 S	7/2002	Lin	D572,136 S	7/2008	Boni
			D573,390 S	7/2008	Ablo
			D577,260 S	9/2008	Bodum
			D585,245 S	1/2009	Brouillette
			D586,182 S	2/2009	Trombly

(56)

References Cited

U.S. PATENT DOCUMENTS

D587,523 S	3/2009	Moon	D680,378 S	4/2013	Romley
D587,967 S	3/2009	Wahl	D680,387 S	4/2013	Hopkins et al.
D588,497 S	3/2009	Claffey	D682,625 S	5/2013	Lane
D588,912 S	3/2009	Christensen et al.	D682,626 S	5/2013	Lane
D592,015 S	5/2009	Carpenter	D684,459 S	6/2013	Stowe et al.
D592,056 S	5/2009	Tedford, Jr.	D684,819 S	6/2013	Smith
D592,058 S	5/2009	Rapaport	D685,231 S	7/2013	Lane
7,527,310 B2	5/2009	Shaskey, Sr.	8,499,951 B1	8/2013	McDonald et al.
D593,372 S	6/2009	Carreno	D691,421 S	10/2013	Jones
D593,811 S	6/2009	Carreno	D691,847 S	10/2013	Beckman
D593,859 S	6/2009	Barnum	D693,176 S	11/2013	Kaiser
D594,687 S	6/2009	Bodum	D693,649 S	11/2013	Yeung
D595,133 S	6/2009	Lewis	D694,112 S	11/2013	Brown
D598,747 S	8/2009	Caldwell	D695,138 S	12/2013	Ball
D600,073 S	9/2009	Carreno	8,608,019 B2	12/2013	Wren
D600,978 S	9/2009	Poindexter et al.	D698,200 S	1/2014	Lauwagie
7,581,704 B1	9/2009	Pugsley	D699,595 S	2/2014	Farrow et al.
7,581,770 B2	9/2009	Jones	8,684,430 B1	4/2014	Brandon
7,604,270 B1	10/2009	McCarthy	D705,012 S	5/2014	Lapsker
D608,133 S	1/2010	Choi	D709,331 S *	7/2014	Ruotsalainen D7/536
D608,140 S *	1/2010	Gilbert D7/396.2	D709,737 S	7/2014	Weinert et al.
D609,534 S	2/2010	Traficante et al.	D709,738 S	7/2014	Weinert et al.
D610,006 S	2/2010	Ortell	D710,155 S	8/2014	Tatsukawa
D610,176 S	2/2010	Nagamine et al.	D710,698 S	8/2014	Giraud et al.
7,686,183 B2	3/2010	Ziegler	D711,684 S	8/2014	Perdomo
D613,554 S	4/2010	Koennecke	D712,701 S	9/2014	Boroski
D615,366 S	5/2010	Berezansky	D713,686 S	9/2014	Eyal
D615,817 S	5/2010	George	D715,100 S	10/2014	Eyal
D616,248 S	5/2010	George	D715,101 S	10/2014	Grcic
D617,608 S *	6/2010	Yang D7/523	D717,605 S	11/2014	Kristinik
D617,640 S	6/2010	Jones	D717,606 S	11/2014	Kristinik
D618,964 S	7/2010	Eisenhardt	D719,785 S	12/2014	Grcic
D621,667 S	8/2010	Ablo	D719,788 S	12/2014	Soltz et al.
D622,548 S	8/2010	Jensen et al.	D720,187 S	12/2014	Romley
D622,554 S	8/2010	Carreno	8,899,644 B2	12/2014	Hancey
D626,414 S	11/2010	Cresswell et al.	8,919,603 B2	12/2014	Greene
D627,192 S	11/2010	Gilbert et al.	D721,250 S	1/2015	Chen et al.
D629,657 S	12/2010	Carreno	D721,546 S	1/2015	Davidson
D629,691 S	12/2010	Cresswell et al.	D722,830 S	2/2015	Miller
D631,699 S	2/2011	Moreau	D724,385 S	3/2015	Hurley et al.
D635,400 S	4/2011	Snyder	D727,688 S	4/2015	Hewitt et al.
D635,401 S	4/2011	DelVecchio	D728,311 S	5/2015	Eyal
D636,640 S	4/2011	Latham	D728,314 S	5/2015	Carstensen et al.
D639,608 S *	6/2011	Tohm, Sr. D7/536	D729,581 S	5/2015	Boroski
D641,591 S	7/2011	Tsukida	9,021,662 B1	5/2015	Jones
D643,289 S	8/2011	Harlan	9,038,850 B1	5/2015	Wilson
D648,599 S	11/2011	Watanabe et al.	D730,696 S	6/2015	Nemeth et al.
D649,836 S	12/2011	Dooley et al.	D731,240 S	6/2015	Bell et al.
D650,232 S	12/2011	Gilbert	D731,241 S	6/2015	Yessin et al.
D652,256 S	1/2012	Eyal	D731,251 S	6/2015	Lane
D653,082 S	1/2012	George	D732,338 S	6/2015	Boroski
D655,134 S	3/2012	Gilbert	D732,343 S	6/2015	Romley
D656,361 S	3/2012	Gilbert	D732,347 S	6/2015	Katterheinrich et al.
D657,670 S	4/2012	Folos et al.	D734,096 S	7/2015	George et al.
D658,922 S	5/2012	Fallon et al.	D740,073 S	10/2015	Zorovich et al.
D659,474 S	5/2012	Wahl et al.	D740,077 S	10/2015	Strepkoff
D660,082 S	5/2012	Wahl	D740,618 S	10/2015	Knoll
D660,084 S	5/2012	Gilbert	D742,743 S	11/2015	Thurin et al.
D660,655 S	5/2012	Wahl et al.	D743,207 S	11/2015	Pendleton et al.
D663,169 S	7/2012	Beggins et al.	D747,626 S	1/2016	Morris, II et al.
D664,001 S	7/2012	Liu	D747,929 S	1/2016	Arseneau et al.
8,225,957 B1	7/2012	Volan	D751,341 S	3/2016	Seiders et al.
D665,491 S	8/2012	Goel et al.	D752,397 S	3/2016	Seiders et al.
D666,061 S	8/2012	Ying	D754,536 S	4/2016	Arriaga
8,251,247 B1	8/2012	Breckner	D759,483 S	6/2016	Jalet
D669,735 S	10/2012	Wong	D764,870 S	8/2016	Choi
D670,525 S	11/2012	Fallon et al.	D766,661 S	9/2016	Bodum
D675,063 S	1/2013	Wahl	D772,012 S	11/2016	Wampold
D675,066 S	1/2013	Conlin et al.	D773,250 S	12/2016	Miller
D675,100 S	1/2013	Herbst	D776,980 S	1/2017	Thun et al.
8,364,542 B2	1/2013	Grauel et al.	D779,285 S	2/2017	Seiders et al.
D676,746 S	2/2013	Shaffer et al.	D779,891 S	2/2017	Seiders et al.
D679,949 S	4/2013	Meritt	D779,892 S	2/2017	Seiders et al.
D679,960 S	4/2013	Hopkins et al.	D780,527 S	3/2017	Salama
D680,375 S	4/2013	Pousard et al.	D780,527 S	3/2017	Seiders et al.
			D780,530 S	3/2017	Seiders et al.
			D780,531 S	3/2017	Seiders et al.
			D780,532 S	3/2017	Seiders et al.
			D780,533 S	3/2017	Seiders et al.
			D782,878 S	4/2017	Thun et al.

(56)

References Cited

U.S. PATENT DOCUMENTS

D784,137 S 4/2017 Cates
 D786,023 S 5/2017 Polack et al.
 D786,025 S 5/2017 Seiders et al.
 D786,673 S 5/2017 Moffat
 D787,893 S 5/2017 Seiders et al.
 D790,272 S 6/2017 Han
 D791,543 S 7/2017 Mulhauser et al.
 D793,172 S 8/2017 Medina
 D795,007 S 8/2017 Plassmeyer
 D795,643 S 8/2017 Barlow
 D797,510 S 9/2017 Ke
 D798,112 S 9/2017 Godsey
 9,750,359 B2 9/2017 Kah, Jr.
 D799,906 S 10/2017 Seiders et al.
 D801,753 S 11/2017 Piper et al.
 D802,977 S 11/2017 Bodum
 D803,001 S 11/2017 Bodum
 D804,556 S 12/2017 Harada et al.
 D807,125 S 1/2018 Seiders et al.
 D808,733 S 1/2018 Spivey et al.
 D813,607 S 3/2018 Nally et al.
 D814,243 S * 4/2018 Pape D7/536
 D820,046 S 6/2018 Seiders et al.
 D822,440 S * 7/2018 Kuh D7/536
 D827,381 S 9/2018 Boroski
 D830,788 S 10/2018 Petrillo et al.
 D832,050 S * 10/2018 Diener D7/510
 D839,049 S * 1/2019 Seiders D7/510
 D839,676 S 2/2019 Seiders et al.
 D839,677 S 2/2019 Seiders et al.
 D842,038 S * 3/2019 Seiders D7/510
 D882,343 S * 4/2020 Rane D7/536
 D890,573 S * 7/2020 Jacobsen D7/510
 2001/0023595 A1 9/2001 Kaposi
 2002/0066758 A1 6/2002 Fadal et al.
 2003/0159245 A1 8/2003 Harman
 2004/0000565 A1 1/2004 Nicholas
 2004/0080930 A1 4/2004 Winters et al.
 2004/0149763 A1 8/2004 Chen
 2004/0187265 A1 9/2004 Ho
 2005/0218109 A1 10/2005 Semersky et al.
 2006/0175506 A1 8/2006 Lan
 2007/0114236 A1 5/2007 Shiffer et al.
 2007/0138188 A1 6/2007 Mace et al.
 2007/0295738 A1 12/2007 Hussain
 2008/0012368 A1 1/2008 Kent-Fawkes
 2008/0017654 A1 1/2008 Chu
 2008/0023434 A1 1/2008 Takayama
 2008/0101056 A1 5/2008 Bhavnani
 2008/0237242 A1 10/2008 Gifford
 2009/0008399 A1 1/2009 Mayled et al.
 2009/0065469 A1 3/2009 McClellan et al.
 2009/0200322 A1 8/2009 Hunter
 2011/0204017 A1 8/2011 O'Sullivan
 2011/0233219 A1 9/2011 Proskey
 2012/0074155 A1 3/2012 Yeung
 2012/0261408 A1 10/2012 White
 2013/0098932 A1 4/2013 Hunt
 2013/0186849 A1 7/2013 Iwashita
 2014/0263368 A1 9/2014 Booska
 2015/0041480 A1 2/2015 Ramsey
 2015/0089964 A1 4/2015 Chung
 2015/0108150 A1 4/2015 Garcia
 2015/0108152 A1 4/2015 Franzen et al.
 2015/0122828 A1 5/2015 Madala
 2015/0164256 A1 6/2015 Helton
 2015/0216343 A1 8/2015 Price
 2015/0291316 A1 10/2015 Fietz
 2016/0318692 A1 11/2016 Wilson
 2017/0096258 A1 4/2017 Seiders et al.
 2017/0259983 A1 9/2017 Tolman et al.
 2017/0267408 A1 9/2017 Martinez
 2018/0289186 A1 10/2018 Heiberger

2018/0305091 A1 10/2018 Krafft
 2018/0312322 A1 11/2018 Kell
 2019/0307292 A1 10/2019 Haas

FOREIGN PATENT DOCUMENTS

CN 301095376 12/2009
 CN 301773772 12/2011
 CN 202104668 U 1/2012
 CN 202891397 U 4/2013
 CN 302846604 6/2014
 CN 302892949 7/2014
 CN 303123979 3/2015
 CN 303263048 7/2015
 CN 303517025 12/2015
 CN 304215274 7/2017
 CN 304296007 9/2017
 CN 304405160 12/2017
 CN 304435767 1/2018
 CN 304453288 1/2018
 CN 304512433 2/2018
 CN 304563902 4/2018
 CN 304655117 6/2018
 CN 304721141 7/2018
 CN 304745435 7/2018
 CN 304786699 8/2018
 CN 305230085 S 12/2019
 EM 000564778-0001 8/2006
 EM 000775721-0001 9/2007
 EM 001360911-0001 3/2013
 EM 002939926-0001 1/2016
 EM 004374155-0003 9/2017
 EM 004742526-0001 4/2018
 EM 005322914-0001 7/2018
 EM 005322914-0002 7/2018
 GB 3024951 7/2006
 GB 5000865 4/2016
 IN 250749-0001 8/2013
 IN 263049-0001 3/2015
 JP HN08001596 12/1995
 JP 1219538 10/2004
 JP 1288694 12/2006
 JP 1302290 6/2007
 JP 1370441 10/2009
 JP 1483261 11/2013
 JP D1483261 11/2013
 JP D1483263 11/2013
 JP 1546179 S 3/2016
 JP D1546179 3/2016
 JP D2016-4373 11/2017
 JP 30-0956050 5/2018
 JP 1654103 S 3/2020
 KR 200840850 2/2016
 KR 300840850 2/2016
 KR 300840850.0000 2/2016
 KR 300905323.0000 5/2017
 KR 3009075550001 5/2017
 KR 300924542.0000 9/2017
 KR 300933350.0000 11/2017
 PH 3-2012-31-0001 5/2012
 WO D029764-033 8/1994
 WO 0162614 A1 8/2001
 WO 2006048119 A1 5/2006
 WO 2011022857 A2 3/2011
 WO 2012064184 A1 5/2012
 WO 2013163725 A1 11/2013
 WO D094255-001 1/2017

OTHER PUBLICATIONS

https://www.amazon.in/Mayur-Exports-Stainless-Coffee-Silver/dp/B01BGNYHKKI/ref=sr_1_8?ie=UTF8&qid=1544130704&sr=8-8&keywords=Mayur+Exports+Stainless, Feb. 2, 2016.
https://www.amazon.in/Hot-Muggs-Lets-Coffee-Multicolour/dp/B005RU7E2A/ref=sr_1_2?ie=UTF8&qid=1544130658&sr=8-2&keywords=hot+muggs+let%27s+coffee+mug, Dec. 20, 2013.
<https://www.turbosquid.com/3d-models/stainless-steel-thermal-mug-3d-model/1102021>, Jan. 20, 2017.

(56)

References Cited

OTHER PUBLICATIONS

https://www.amazon.in/Aagam-Palak-Double-Walled-Stainless/dp/B00SOIYFWY/ref=sr_1_?ie=UTF8&qid=1544133439&sr=8-1&keywords=Aagam+%26+Palak+Double, Jan. 24, 2015.

http://www.amazon.in/Pigeon-Stainless-Steel-Coffee-Cup/dp/B01LXFSDOY/ref=sr_1_sc_1?ie=UTF8&qid=1544133520&sr=8-1-spell&keywords=Buy+Pigeon+Stainless+Steel+Coffee+Cup+Set+of+4, Oct. 4, 2016.

<https://www.turbosquid.com/3d-models/mug-subdivided-max/692992>, Feb. 21, 2018.

https://www.amazon.com/InGwest-Active-Life-Bamboo-Coffee/dp/B01M8JSU2U/ref=sr_1_fkmmull_1?keywords=InGwest+Active+Life&qid=1553010206&s=gateway&sr=8-1-fkmmull (Year: 2016).
https://www.amazon.com/dp/B016AX976C/ref-psdc_602608_t2_B014JZM42I (Year: 2015).

Mar. 1, 2020—(JP) Office Action—App. Np. 2019-009860.

“Hooler the handheld cooler”, published on Apr. 12, 2014, retrieved from <https://web.archive.org/web/20140412062054/http://www.hoolercooler.com/> on Aug. 4, 2015.

“Siskiyou Sports CCS48F Oklahoma Sooners Flame Can Cooler”, published on Jul. 9, 2014, retrieved from <http://www.sears.com/siskiyou-sports-ccs48f-oklahoma-sooners-flame-can-cooler/p-SPM7376348303> on Sep. 16, 2016.

“Mini Keg Coozies! Beer Inside Kegs!”, published by Chad Dukes on Dec. 18, 2013, retrieved from <http://beerandpig.com/category/beer/page/2/> on Sep. 16, 2016.

“Stainless Steel Can Cooler”, published on Apr. 6, 2014, retrieved from <http://www.belpromo.com/nd/detail.php?c=34&p=KZSS001&s=mvp23g56> on Sep. 22, 2016.

“Stanley Vacuum Insulated Container—Thermos bottle”, published on Feb. 24, 2012, retrieved from <https://www.youtube.com/watch?v=UCMjqZiNU3o> on Sep. 23, 2016.

JPO Prior art Reference No. HJ20071600.

English translation of Office Action dated Oct. 18, 2016 for JP Application No. 2016-004372, 3 pages.

English translation of Office Action dated Oct. 18, 2016 for JP Application No. 2016-004373, 3 pages.

“Yeti Press Release—Rambler Lowball”, published on Jul. 15, 2015, retrieved from <http://yeti.com/press-releases/yeti-coolers-unveils-new-rambler-lowball> on Mar. 14, 2017.

“Bekith Kids Water Mugs Stainless Steel Drinking Cups Double Wall Food Grade Durable Safe—Set of 2”, published date unknown but at least as early as Mar. 14, 2017, retrieved from https://www.amazon.com/Bekith-Stainless-Drinking-Double-Durable/dp/B019JNKG7A/ref=pd_sim_79_5?encoding=UTF8&pvc=1&refRID=ZP054HJK7VYT6T39DSYN on Mar. 14, 2017.

“Camp Cup”, published date unknown but at least as early as Mar. 13, 2017, retrieved from <https://www.miir.com/collections/camp/products/campcup> on Mar. 13, 2017.

“Chinook Timberline Double-wall 12.5 Ounces Mug”, published date unknown but at least as early as Mar. 14, 2017, retrieved from https://www.amazon.com/Chinook-Timberline-Double-wall-12-5-Ounces/dp/B0026ICO8U/ref=pd_sim_79_3?encoding=UTF8&pvc=1&refRID=C586FMMXYCY44F2AZCJB on Mar. 14, 2017.

“Double Wall Copper Coffee Mug”, published date unknown but at least as early as Mar. 14, 2017, retrieved from http://www.williamssonoma.com/products/1614242/?catalogId=27&sku=1614242&cm_ven=Google_PLA&cm_cat=Shopping&cm_pla=default&cm_ite=default&kwid=productads-adid%5E45527543503-device%5Ecpaid%5E83089551703-sku%5E1614242-adType%5EPLA&gclid=CIGFx4v9g9ECFYeEsw on Mar. 14, 2017.

“Double Wall Stainless Steel Beer Mug”, published date unknown but at least as early as Mar. 14, 2017, retrieved from <https://www.vat19.com/item/stainless-steel-beer-mug> on Mar. 14, 2017.

“Woodcraft 15oz Shop Mug Insulated Stainless Steel”, published date unknown but at least as early as Mar. 14, 2017, retrieved from https://www.amazon.com/Woodcraft-15oz-Insulated-Stainless-Steel/dp/B004TQGH0S/ref=pd_sim_79_3?encoding=UTF8&pvc=1&refRID=EYMWNJTCKACXEY8YGJMJ on Mar. 14, 2017.

“Yeti Press Release—Rambler Colster”, published on Jan. 8, 2015, retrieved from <http://yeti.com/press-releases/rambler-colster> on Mar. 27, 2017.

Alexander, Emmet, “Removable Bicycle Cup Holder By Bookman”, posted Mar. 23, 2014 online, retrieved May 6, 2016 from Internet, URL: <http://coolmensgear.com/removable-bicycle-cup-holder/>.

“Meyers California Rainbow Mug With Removable Wood Metal Handle”, retrieved from Internet on May 6, 2016; URL: <https://www.pinterest.com/pin/148618856430252325/>.

“Tervis Tumbler Black 24 oz. Handle”, retrieved from Internet Jun. 6, 2016; URL: <http://www.amazon.com/Tervis-Tumbler-Black-24oz-Handle/dp/B004VVHORG>.

Purdum, Sandra, “Mug or Tumbler Metal Handles Spare Parts”, retrieved from Internet Jun. 6, 2016; URL: https://www.etsy.com/...r-tumbler-metalhandles-spare-parts?ga_order=most_relevant&ga_search_type=all&ga_view_type=gallery&ga_search_query=metal%20handled%20mugs&ref=sr_gallery_8.

“Red Removable Handle 16-oz. Travel Tumbler”, retrieved from Internet Jun. 6, 2016, URL: <http://www.zulily.com/p/red-removable-handle-16-oz-travel-tumbler-120715-7353259.html>.

Pictures of Great American Products Tumbler, published date unknown, but prior to the filing date of the present application.

Photographic image of Yeti 30oz Rambler Tumbler, published date unknown, but prior to the filing date of the present application.

Second photographic image of Yeti 30oz Rambler Tumbler, published date unknown, but prior to the filing date of the present application.

Promotional Items, Inc., “Stainless Steel 14oz. Deluxe Coffee Insulated Tumbler Lid”, retrieved from http://www.promotional-items-inc.com/catalog/stainless_steel_18oz_commuter_coffee_mug_lid.html on Aug. 27, 2015.

The Product Farm, “BeerNStein Rocks Tumbler Lid—Blue”, retrieved from <http://store.theproductfarm.com/beerstein-rocks-tumbler-lid-blue/> on Aug. 27, 2015.

Hit Promotional Products, “24 Oz. Biggie Tumbler with Lid”, retrieved from <http://www.hitpromo.net/product/show/5853/24-oz-biggie-tumbler-with-lid> on Aug. 27, 2015.

The Alexon Group, “16 Oz. Stainless Steel Travel Mug with Slide Action Lid and Plastic Inner Liner”, retrieved from <https://alexongroup.com/16-oz-stainless-steel-travel-mug-with-slide-action-lid-and-plastic-inner-liner> on Aug. 27, 2015.

“New 16oz Insulated Coffee Travel Mug Stainless Steel Double Wall Thermos Tumbler”, retrieved from <http://www.ebay.com/itm/New-16oz-Insulated-COFFEE-TRAVEL-MUG-Stainless-Steel-Double-Wall-Thermos-Tumbler-/171416296921> on Aug. 27, 2015.

“Stainless Steel Travel Mug with Slide Action Lid and Plastic Inner Liner—16oz.”, retrieved from <http://waterbottles.com/stainless-steel-travel-mug-with-slide-action-lid-and-plastic-inner-liner-16-oz> on Aug. 27, 2015.

Vat19, “16 oz. Dual Auto/USB Heated Mug”, retrieved from <https://www.vat19.com/item/16-oz-dual-auto-usb-heater-coffee-mug> on Aug. 27, 2015.

Timolino, “Signature Thermal Travel Mug Slide—Tab Lid”, retrieved from <http://timolino.com/products/signature-thermal-travel-mug-slide-tab-lid> on Aug. 27, 2015.

Eshine Industrial & Maoyuan International, “400ml Double Wall Stainless Steel Travel Mug with Sliding Drink Lid”, retrieved from <http://www.chinawaterbottle.com/product/400ml-double-wall-stainless-steel-travel-mug-with-sliding-drink-lid-77-520.html> on Aug. 27, 2015.

Photo USA Electronic Graphic Inc., “17fl oz Personalised Travel Mug (Plastic Insert and Metal Shell, Reverse Screw)”, retrieved from <http://www.meikeda.com/stainless-steel-mug/item/15-oz-personalised-travel-mug.html> on Aug. 27, 2015.

Promo Industrial Co., Limited, “16 Oz. Blue Bullet Travel Mug W/ Handle”, retrieved from http://www.oempromo.com/Bottle-cup-and-mug/Mugs/index_73.htm on Aug. 27, 2015.

Gold Bond Inc., “16CT—16 oz Cafe Tumbler”, retrieved from <http://www.goldbondinc.com/16ct> on Aug. 27, 2015.

“Yeti Rambler 20 and 30 oz”, published on Apr. 19, 2014, retrieved from <https://web.archive.org/web/20140419041951/http://yeticoolers.com/rambler-tumblers/> on Sep. 2, 2015.

(56)

References Cited

OTHER PUBLICATIONS

Photographic image of Yeti 20oz Rambler Tumbler, published date unknown, but prior to the filing date of the present application.

Snow Peak H860, posted by copperbrier at YouTube.com [online], posted on Nov. 13, 2013. Available on the Internet, <URL: <https://youtu.be/rotGiNY6ms>>.

Snow Peak 450ml, posted by keegansreviews at YouTube.com [online], posted on Jun. 5, 2015. Available on the Internet, <URL: <https://youtu.be/S9dSBijmxsM>>.

“Snow Peak Detail Specs”, published earlier than Jan. 6, 2014, retrieved from <<http://global.rakuten.com/en/store/mitsuyoshi/item/tw-137-snowpeak/>> on May 22, 2017.

Yeti Rambler Colster Beverage Holder [online], [retrieved Feb. 1, 2018] Retrieved from the Internet, URL: <<https://kevinscatalog.com/yeti-colster-beverage-holder-44-1064>>, 4 color pages, published date unknown, but for purposes of patent prosecution prior to the filing date of the present application.

Firm Grip: The 15 Coolest Beer Koozies [online], [retrieved Mar. 16, 2018], Retrieved from the Internet, URL: <<http://hiconsumption.com/2014/01/firm-grip-the-15-coolest-beer-koozies/>>, 10 color pages, published date unknown, but for purposes of patent prosecution prior to the filing date of the present application.

Thermos Stainless Steel Can Insulator [online], [retrieved Mar. 19, 2018], Retrieved from the Internet, URL: <<https://www.youtube.com/watch?v=p8pV3BhAOiU>>, 1 color page, published on Oct. 8, 2008.

Custom Ventura Travel Tumbler—Promotional Travel Mugs at 4imprint [online], [retrieved Mar. 19, 2018], Retrieved from the Internet, URL: <<https://www.youtube.com/watch?v=e8okCU8DaP4>>>, 1 color page, published on Dec. 19, 2014.

United States District Court Western District of Texas, Austin Division, “Complaint,” *Yeti Coolers, LLC v. V-Rose Enterprise, LLC d/b/a Calavera Coolers*, Case 1:20-cv-00086, Document 1, filed Jan. 23, 2020, 40 pages.

Oct. 14, 2019—(CN) Office Action—App. 2019-30222054.6.

United States District Court Western District of Texas Austin Division, “Complaint,” *Yeti Coolers, LLC v. Chilly Moose Ltd.*, and Schomberg Sheet Metal Limited, Case: 1:19-cv-00834, Document #1, filed Aug. 23, 2019, 197 pages.

https://www.amazon.com/Culver-18-Ounce-Campfire-Ceramic-White/dp/B7CNVWPKK/ref=sr_1_fkmr0_%201?keywords=Culver+18-Ounce+Tail+Campfire+Ceramic+Mug+Set+of+4+%28White%29%3A+Kitchen+%26+Dining&qid=1578077705&sr=8-1-fkmr0 Culver Apr. 2018 (Year: 2018).

https://www.amazon.com/Townie-Insulated-Coffee-Double-Vacuum/dp/B07BB31PJ7/ref=sr_1_1?keywords=Maars+Drinkware+79716-1PK+14+oz+%7C+Double+Wall+Vacuum+Sealed+Tumbler+Travel+Friendly%2C+Compact+Size%2C+1+Pack%2C+Matcha+Green%3A+Home+%26+Kitchen&qid=1578083307&sr=8-1-Maars Mar. 2018 (Year: 2018).

https://www.amazon.com/American-Mug-Pottery-Ceramic-Square/dp/B06XRVL72/ref=sr_1_1?keywords=American+Mug+Pottery+Ceramic+Square+Handle+Coffee+Mug%2C+Made+in+USA%2C+Cobalt+Blue%2C+17+oz+--+Pack+of+2%3A+Coffee+Cups+%26+Mugs&qid=1578083413&sr=8-1-American American Mug Pottery (Year: 2017).

Oct. 25, 2019, JP Office Action—App. No. 2019-002063.

http://www.amazon.in/Mayur-Exports-Stainless-Coffee-Silver/dp/B01BGNYHKKI/ref=sr_1_8?ie=UTF8&qid=1544130704&sr=8-8&keywords=Mayur+Exports+Stainless (Year: 2016).

15 Oz. Stainless Steel Double Wall Tumbler [online], [retrieved Mar. 19, 2018], Retrieved from the Internet, URL: <<https://www.4allpromos.com/product/15-oz-stainless-steel-double-wall-tumbler>>, 5 color pages, published date unknown, but for purposes of patent prosecution prior to the filing date of the present application.

Personalized Color Touch Stainless Tumbler—Promotional Travel Mugs by 4imprint [online], [retrieved Mar. 19, 2018], Retrieved from the Internet, URL: <<https://www.youtube.com/watch?v=v7TLpRMCFIw>>, 1 color page, published on Dec. 18, 2014.

15 oz. Stainless Deal Tumbler—Custom Promotional Coffee Tumblers from InkHead.com [online], [retrieved Mar. 19, 2018], Retrieved from the Internet, URL: <<https://www.youtube.com/watch?v=vywesydY6xs>>, 1 color page, published on Jul. 11, 2011.

Reflections Metallic Tumbler [online], [retrieved Mar. 19, 2018], Retrieved from the Internet, URL: <<https://www.youtube.com/watch?v=cNT6h4cKfAs>>, 1 color page, published on Jan. 9, 2014.

Swag Standard | Seaside 15-oz. Travel Mug [online], [retrieved Mar. 19, 2018], Retrieved from the Internet, URL: <https://www.youtube.com/watch?v=cb58zm_PSOo>, 1 color page, published on Mar. 3, 2015.

Logo Coffee Mugs—Stainless Steel Tumbler w/ Color Trim—Marco [online], [retrieved Mar. 19, 2018], Retrieved from the Internet, URL: <<https://www.youtube.com/watch?v=2k72dgsWJy8>>, 1 color page, published on Apr. 21, 2014.

Promotional Cups—14 oz. Ventura Double Wall Travel Tumblers—MARCO [online], [retrieved Mar. 19, 2018], Retrieved from the Internet, URL: <<https://www.youtube.com/watch?v=QAkt5III5J4>>, 1 color page, published on May 9, 2014.

SnapSeal Byron Travel Mug [online], [retrieved Mar. 19, 2018], Retrieved from the Internet, URL: <<https://www.youtube.com/watch?v=dL1IdCzILD0>>, 1 color page, published on Feb. 13, 2014.

Review of the Starbucks “Clip and Sip” Travel Coffee Mug [online], [retrieved Mar. 19, 2018], Retrieved from the Internet, URL: <<https://www.youtube.com/watch?v=6DfWKHLe1b4>>, 1 color page, published on Nov. 13, 2014.

Stainless Steel Curvy Tumbler (16 Oz.)—Q11830 [online], [retrieved Mar. 19, 2018], Retrieved from the Internet, URL <<https://www.youtube.com/watch?v=8UCmHszwMLY>>, 1 color page, published on Jul. 8, 2012.

Best Tumbler Thermos Mug for caffe latte or messy drink: Starbucks Reserve Stainless Steel [online], [retrieved Mar. 19, 2018], Retrieved from the Internet, URL: <<https://www.youtube.com/watch?v=h2IWzV6wVbk>>, 1 color page, published on Oct. 22, 2014.

CamelBak Forge Travel Mugs | Crew Review [online], [retrieved Mar. 19, 2018], Retrieved from the Internet, URL <<https://www.youtube.com/watch?v=XuR0u3OEndY>>, 1 color page, published on Jul. 23, 2015.

AUTOSEAL West Loop Stainless Travel Mug with Easy-Clean Lid [online], [retrieved Mar. 19, 2018], Retrieved from the Internet, URL: <<https://www.youtube.com/watch?v=bClubrvh2zs>>, 1 color page, published on Feb. 6, 2014.

Stainless King Food Jar Youtube.wmv [online], [retrieved Mar. 19, 2018], Retrieved from the Internet, URL: <https://www.youtube.com/watch?v=RGHArOT_rEs>, 1 color page, published on Oct. 20, 2010.

Thermos Food Jar Review [online], [retrieved Mar. 19, 2018], Retrieved from the Internet, URL: <<https://www.youtube.com/watch?v=3esAaqKc4po>>, 1 color page, published on Jan. 26, 2013.

Thermos Infant [online], [retrieved Mar. 19, 2018], Retrieved from the Internet, URL: <<https://www.youtube.com/watch?v=vUf2MPVSODM>>, 1 color page, published on May 14, 2013.

Promo Travel Mugs—16 oz. Double Wall Stainless Steel Tumbler—MARCO [online], [retrieved Mar. 19, 2018], Retrieved from the Internet, URL: <<https://www.youtube.com/watch?v=sanCJS5rtig>>, 1 color page, published on Nov. 21, 2012.

Contigo Autoseal Stainless Steel Vacuum Insulated Tumbler Travel Mug Full Review [online], [retrieved Mar. 19, 2018], Retrieved from the Internet, URL: <<https://www.youtube.com/watch?v=O2aiMQmJlFg>>, 1 color page, published on Sep. 16, 2012.

ChillingTheMost.com Houston Boat Show 2014 [online], [retrieved Mar. 19, 2018], Retrieved from the Internet, URL <<https://www.youtube.com/watch?v=1vUQ43gVL38>>, 1 color page, published on Aug. 29, 2014.

2012 Tampa Boat Show—Chilling The Most [online], [retrieved Mar. 19, 2018], Retrieved from the Internet, URL: <<https://www.youtube.com/watch?v=IWgldQcYz48>>, 1 color page, published on Oct. 1, 2012.

Contigo Autoseal Spill-Proof Travel Mug Review and Giveaway [online], [retrieved Mar. 19, 2018], Retrieved from the Internet, URL: <<https://www.makeuseof.com/tag/contigo-autoseal-spill-proof-travel-mug-review-and-giveaway/>>, 6 color pages, published on Dec. 28, 2010.

(56)

References Cited

OTHER PUBLICATIONS

Klean Kanteen 27oz Stainless Steel Bottle w/ Built NY 27oz Bottle Tote [online], [retrieved Mar. 19, 2018], Retrieved from the Internet, URL: <https://www.youtube.com/watch?v=R411PhqF6Tc>, 1 color page, published on Sep. 3, 2009.

Teavana Contour Tumbler vs Thermos Review [online], [retrieved Mar. 20, 2018], Retrieved from the Internet, URL: <https://www.youtube.com/watch?v=O55uWyKiWRM>, 1 color page, published on Feb. 11, 2013.

KeepCup—Inside Business [online], [retrieved Mar. 20, 2018], Retrieved from the Internet, URL: <https://www.youtube.com/watch?v=hJ5xUpC8VXQ>, 1 color page, published on Feb. 14, 2012.

William & the Ordinary Hero Coffee Tumbler [online], [retrieved Mar. 20, 2018], Retrieved from the Internet, URL: <https://www.youtube.com/watch?v=CwpT_KePTdk>, 1 color page, published on Jun. 10, 2011.

Persona Vacuum Tumbler (14 Oz.)—Q49231 [online], [retrieved Mar. 20, 2018], Retrieved from the Internet, URL: <https://www.youtube.com/watch?v=XUoRO3I-uhA>, 1 color page, published on Dec. 10, 2012.

Product Review: Klean Kanteen Wide Insulated [online], [retrieved Mar. 20, 2018], Retrieved from the Internet, URL: <https://www.apartmenttherapy.com/product-review-klean-kanteen-w-105234>, 4 color pages, published on Jan. 6, 2010.

GSI Fairshare Collapsible Cup [online], [retrieved Mar. 20, 2018], Retrieved from the Internet, URL: <https://www.youtube.com/watch?v=GqWiv4k8Ddc>, 1 color page, published on Jan. 14, 2013.

How To Clean The JOEemo Reusable Travel Mug Lid [online], [retrieved Mar. 20, 2018], Retrieved from the Internet, URL: <https://www.youtube.com/watch?v=O39NGhuQDms>, 1 color page, published on Sep. 12, 2011.

SFS DM400 Photo Tumbler Printing Video [online], [retrieved Mar. 22, 2018], Retrieved from the Internet, URL: <https://www.youtube.com/watch?v=d9Xyb9StdRY>, 1 color page, published on Jul. 1, 2012.

Starbucks Stainless Steel Travel Press—Rose Gold 10 fl oz (011028166) Best Buy Deals | Bestseller [online], [retrieved Mar. 22, 2018], Retrieved from the Internet, URL: <https://www.youtube.com/watch?v=dhoL4ohTOU>, 1 color page, published on Oct. 15, 2014.

Custom Full-Wrap Travel Tumbler—Promotional Tumblers by 4imprint [online], [retrieved Mar. 22, 2018], Retrieved from the Internet, URL: <https://www.youtube.com/watch?v=A8sveo1261s>, 1 color page, published on Nov. 12, 2014.

15 oz Maui Fusion Tumbler—Custom Travel Coffee Tumblers from InkHead.com [online], [retrieved Mar. 22, 2018], Retrieved from the Internet, URL: <https://www.youtube.com/watch?v=MrQAJR6skr8>, 1 color page, published on Apr. 12, 2013.

Thermos Vacuum Insulated 14 oz Travel Tumbler with Lever45;Operated Lid [online], [retrieved Apr. 4, 2018], Retrieved from the Internet, URL: <https://www.amazon.com/Thermos-Insulated-Stainless-Operated-Tumbler/dp/B00JM0KAZO/ref=sr_1_fkmr0_1?ie=UTF8&qid=1522868078&sr=8-1-fkmr0&keywords=thermos+vacuum+insulated+14+oz+travel+tumbler+with+lever+45%3B+operated+lid>, 8 color pages, published date unknown, but for purposes of patent prosecution prior to the filing date of the present application.

Thermos Stainless Steel 14 Ounce Travel Tumbler with 360 Degree Lid [online], [retrieved Apr. 4, 2018], Retrieved from the Internet, URL: <https://www.amazon.com/Thermos-Stainless-Travel-Tumbler-Degree/dp/B000FOMQ4O/ref=sr_1_1?ie=UTF8&qid=1522868265&sr=8-1&keywords=thermos+stainless+steel+14+ounce+travel+tumbler+with+360+degree+lid>, 7 color pages, published date unknown, but for purposes of patent prosecution prior to the filing date of the present application.

Maui Fusion Travel Mug—14 oz. [online], [retrieved Apr. 4, 2018], Retrieved from the Internet, URL: <https://www.4imprint.com/product/105878/maui-fusion-travel-mug-14-oz>, 2 color pages, published date unknown, but for purposes of patent prosecution prior to the filing date of the present application.

Thermos Funtainer 10 oz Food Jar [online], [retrieved Aug. 6, 2018], Retrieved from the Internet, URL: <https://www.amazon.com/Thermos-Funtainer-Ounce-Food-Blue/dp/B00CBFAE6W?ref=ast_p_pc_rc>, 10 color pages, published Mar. 20, 2013.

Thermos Funtainer 16 oz Food Jar [online], [retrieved Aug. 6, 2018], Retrieved from the Internet, URL: <https://www.amazon.com/Thermos-Funtainer-Ounce-Food-Charcoal/dp/B01ATVK4KK7ref=ast_p_pc_rc&th-1>, 7 color pages, published date Jan. 19, 2016.

United States District Court Western District of Texas, Austin Division, “Complaint for Damages and Injunctive Relief tor: (1)-(12) Patent Infringement in Violation of 35 U.S.C. § 271; and (13) Breach of Contract”, *Yeti Coolers, LLC v. RTIC Outdoors, LLC; and Corporate Support & Fulfillment, LLC*, Case 1:21-cv-00214, filed Mar. 5, 2021, 338 pages.

United States District Court Western District of Texas, Austin Division, “First Amended Complaint, ‘Complaint for Damages and Injunctive Relief tor: (1)-(15) Patent Infringement in Violation of 35 U.S.C. § 271; and (16) Breach of Contract’”, *Yeti Coolers, LLC v. RTIC Outdoors, LLC; and Corporate Support & Fulfillment, LLC*, Case 1:21-cv-00214-RP, Document 10, filed Jun. 2, 2021, 39 pages.

United States District Court Western District of Texas, Austin Division, “Answer of Defendants RTIC Outdoors, LLC and Corporate Support & Fulfillment, LLC to Yeti’s Amended Complaint: (1)-(15) Patent Infringement in Violation of 35 U.S.C. § 271; and (16) Breach of Contract”, *Yeti Coolers, LLC v. RTIC Outdoors, LLC; and Corporate Support & Fulfillment, LLC*, Case 1:21-cv-00214-RP, Document 16, filed Jun. 17, 2021, 79 pages (See pp. 45, 46, 66-77 alleging invalidity).

* cited by examiner

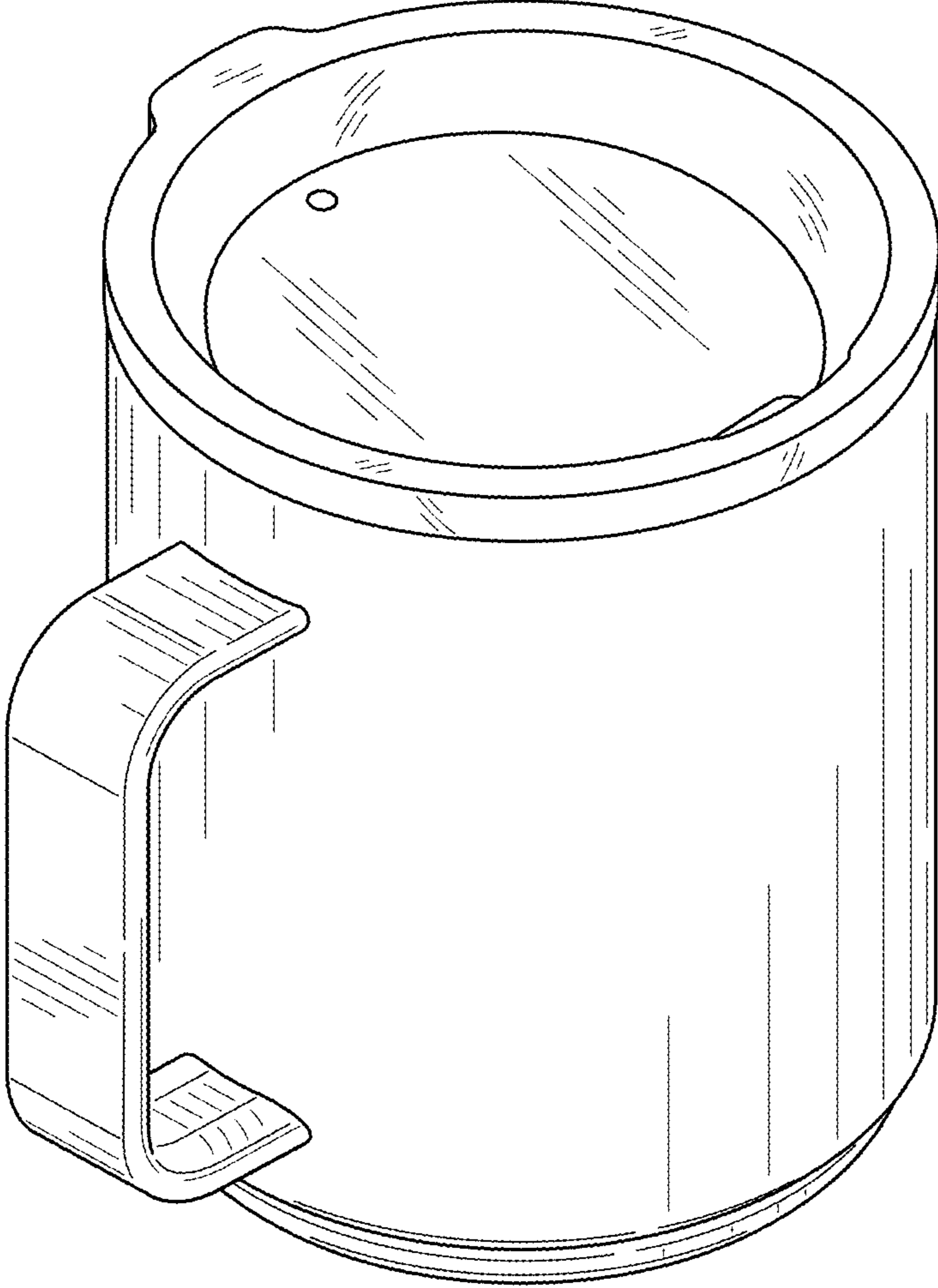


FIG. 1

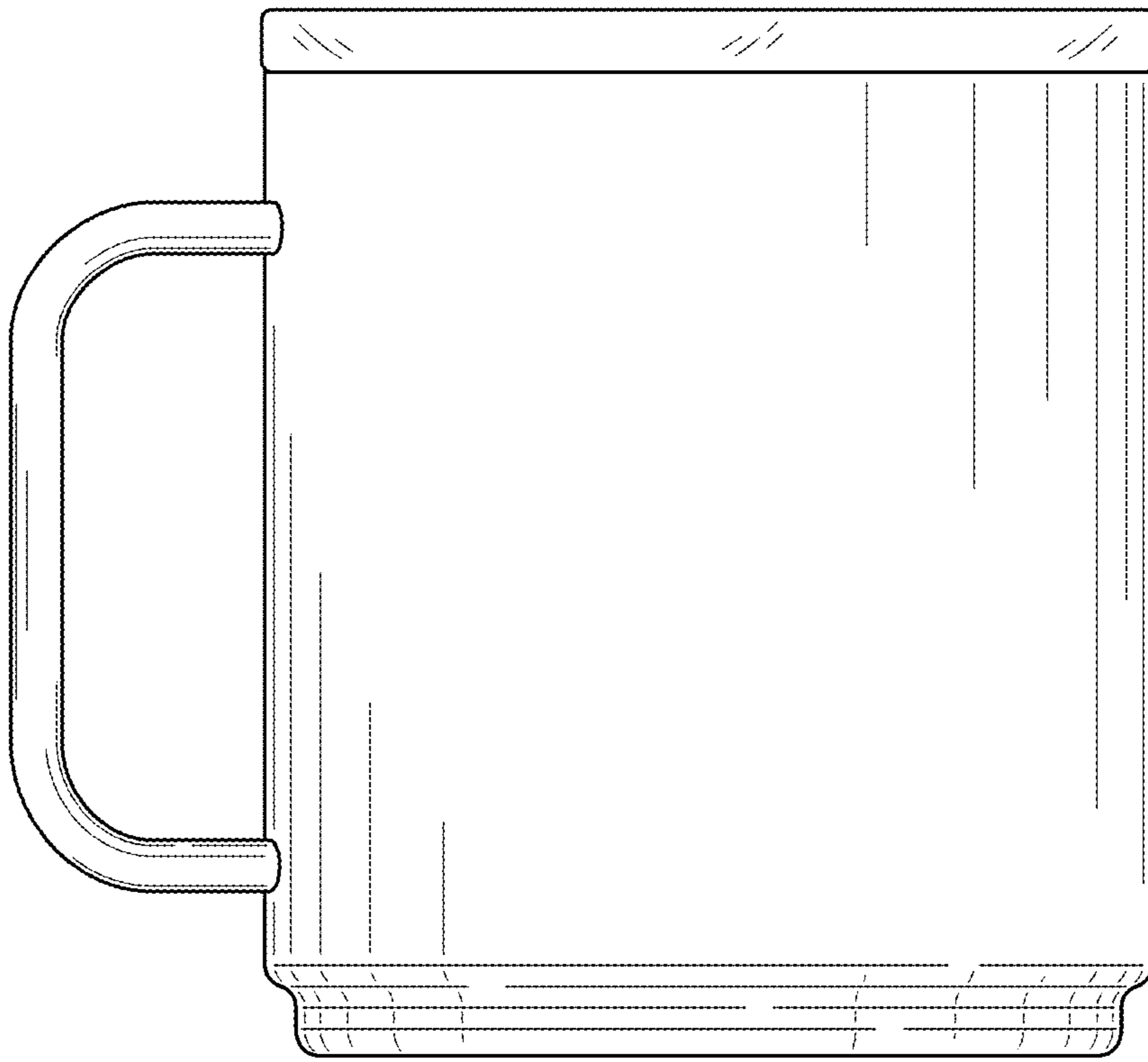


FIG. 2

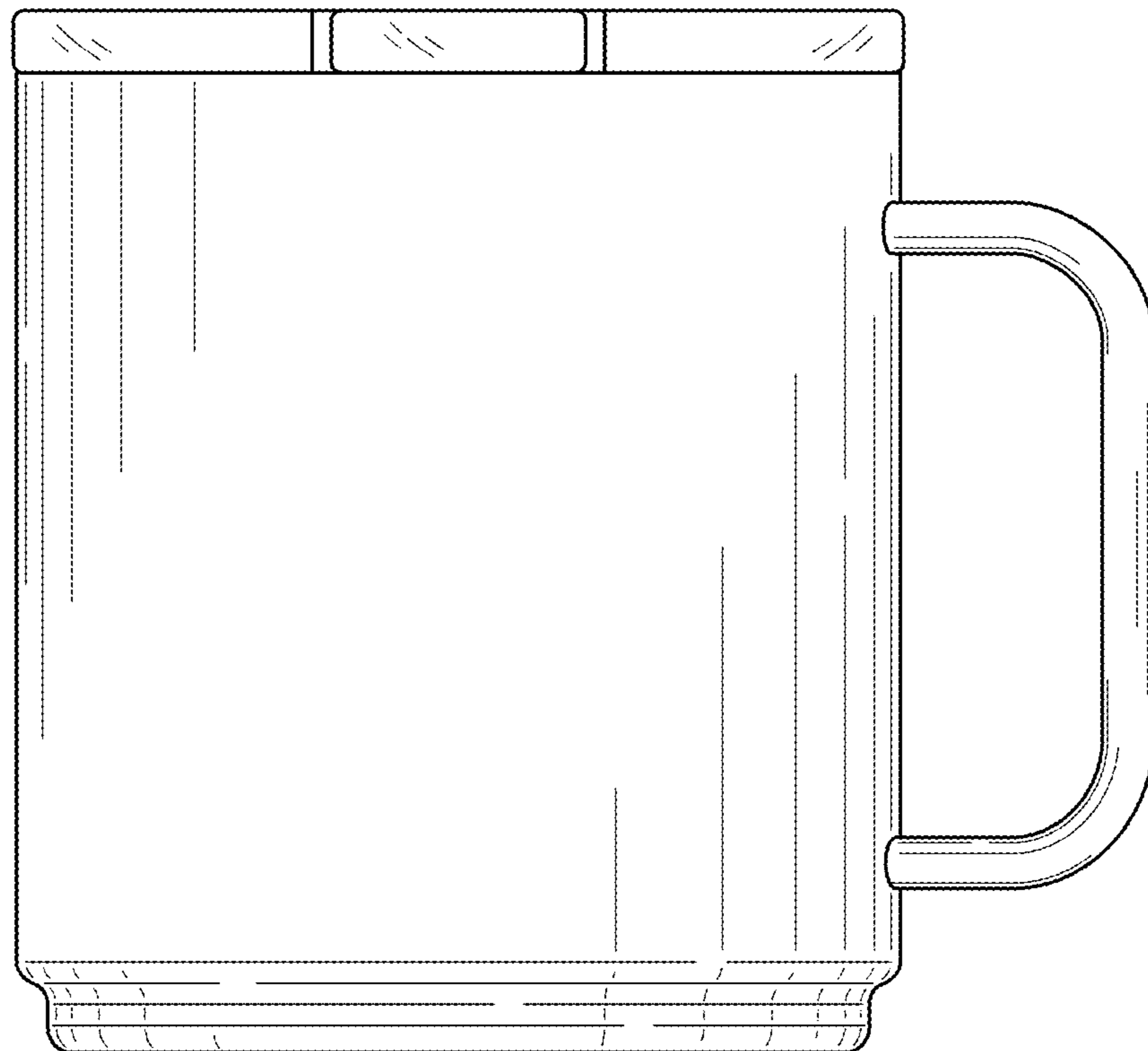


FIG. 3

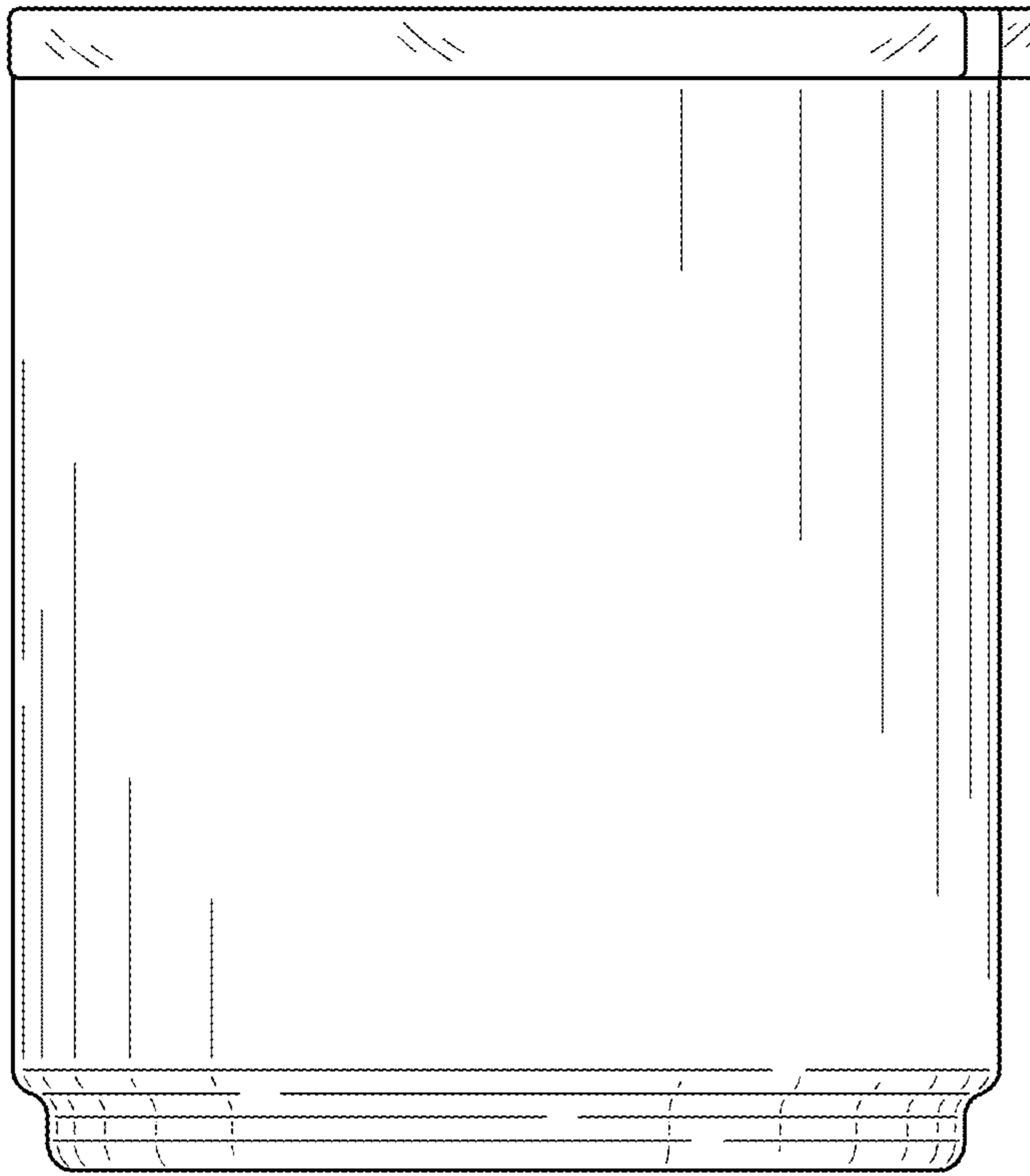


FIG. 4

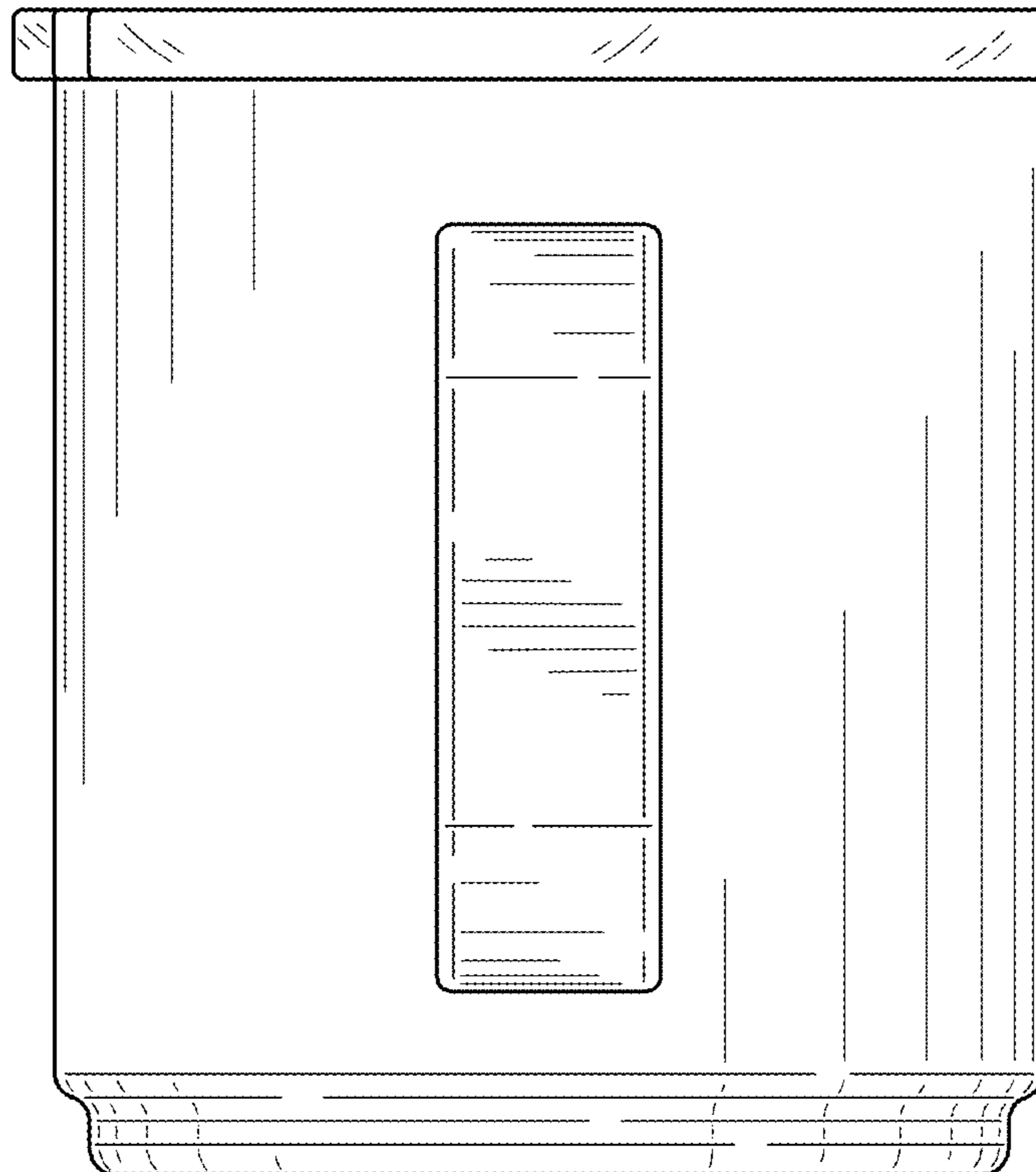


FIG. 5

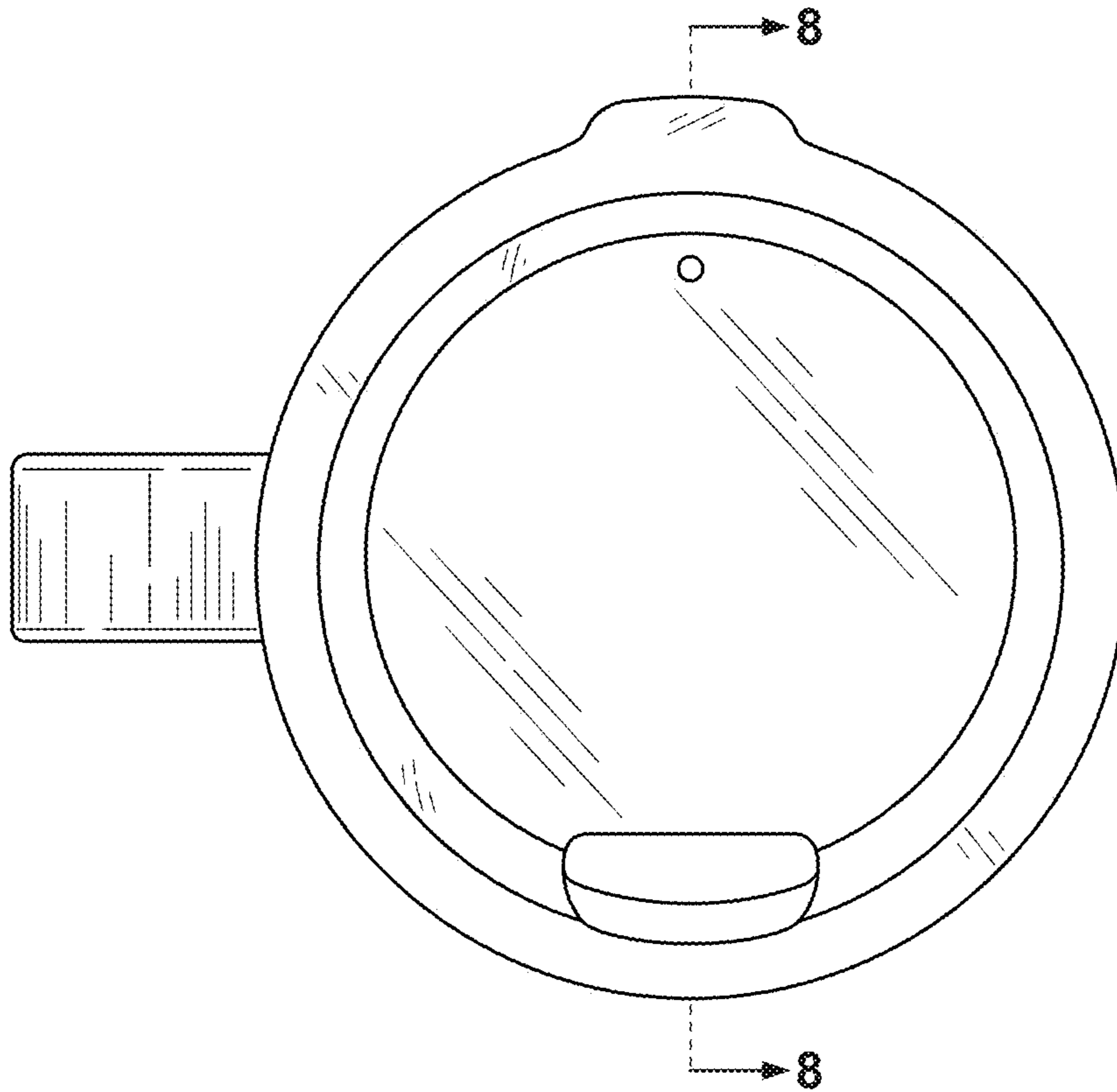


FIG. 6

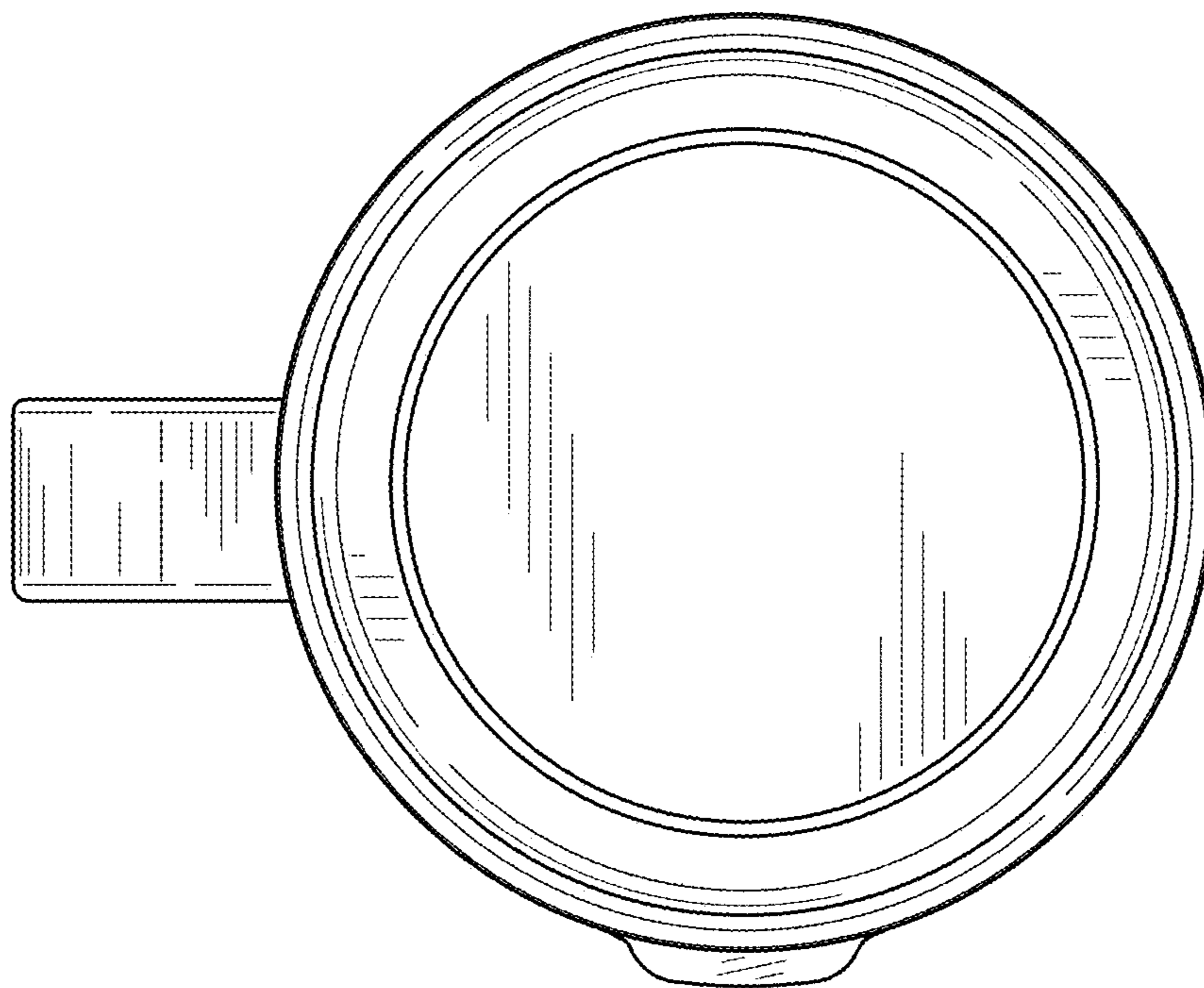


FIG. 7

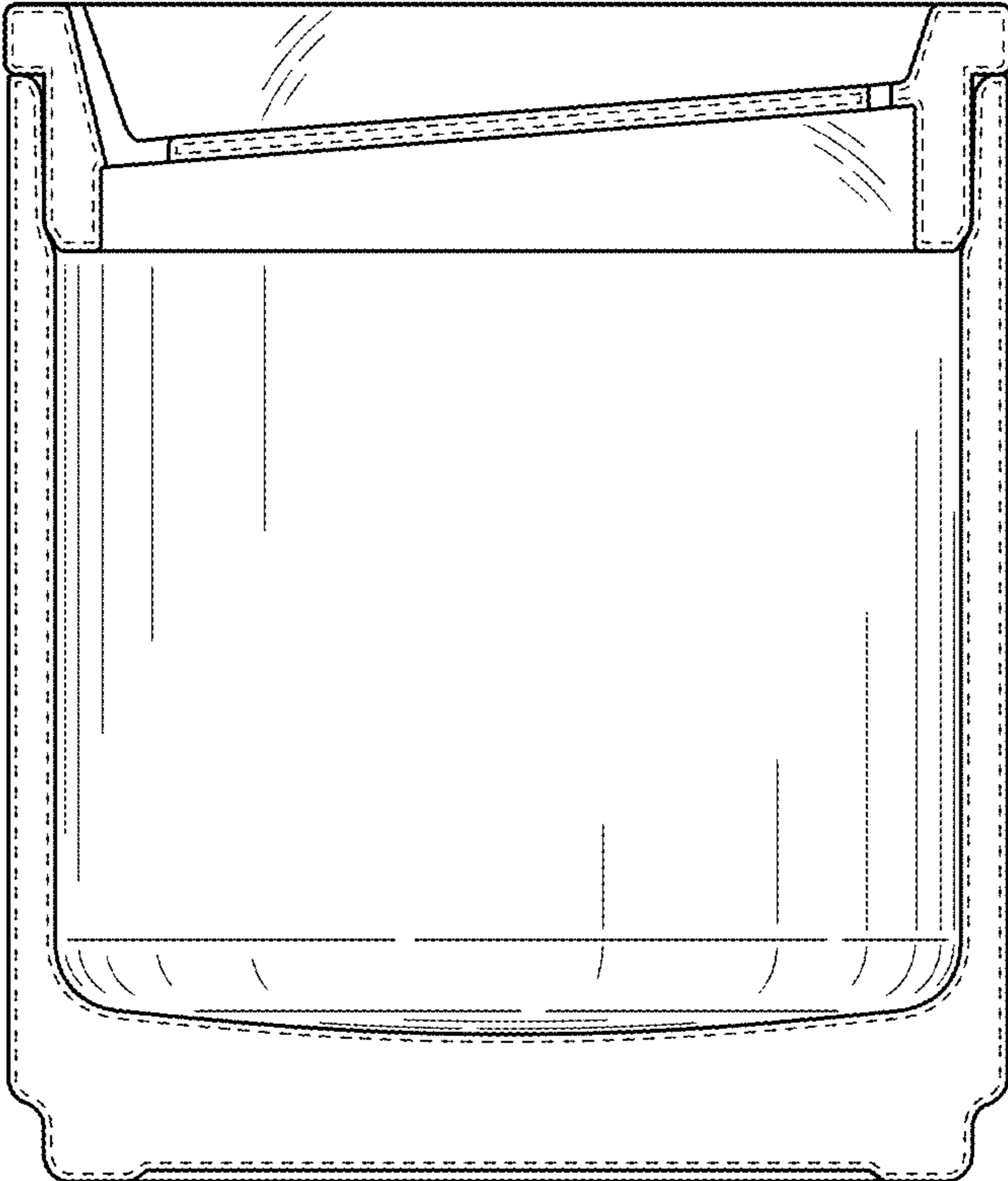


FIG. 8