



US00D934632S

(12) **United States Design Patent** (10) **Patent No.:** **US D934,632 S**
Gross et al. (45) **Date of Patent:** **** Nov. 2, 2021**

(54) **CUTTING DEVICE FOR A NUT MILK MAKER**

4,721,394 A * 1/1988 Casto B01F 7/00341
366/330.2
4,733,827 A * 3/1988 Williams A47J 43/07
206/373
D309,082 S * 7/1990 Hattle D7/384
D319,555 S 9/1991 Thomas
D366,595 S * 1/1996 Dobson D7/373

(71) Applicant: **Eternal East (HK) Ltd.**, Hong Kong (CN)

(72) Inventors: **Charles Brian Gross**, Cheyenne, WY (US); **Nile Robert Fedewa**, Ft Collins, CO (US)

(73) Assignee: **ETERNAL EAST (HK) LTD.**, Hong Kong (CN)

(**) Term: **15 Years**

(21) Appl. No.: **29/726,896**

(22) Filed: **Mar. 6, 2020**

(Continued)

FOREIGN PATENT DOCUMENTS

CN 2013309897 7/2014

OTHER PUBLICATIONS

Owner's manual dated 2006 for Soyabella Model SB-130 automatic soymilk maker and coffee grinder made by Tribest Corporation. 10 pages.

(Continued)

Related U.S. Application Data

(62) Division of application No. 29/665,580, filed on Oct. 4, 2018, now Pat. No. Des. 877,577, which is a division of application No. 29/616,513, filed on Sep. 6, 2017, now Pat. No. Des. 878,847.

(51) **LOC (13) Cl.** **07-99**

(52) **U.S. Cl.**
USPC **D7/412**

(58) **Field of Classification Search**
USPC D7/306-309, 368, 372-373, 376-386,
D7/391, 397, 412-415, 507, 602, 607,
D7/629, 665-666, 669, 679, 688,
D7/693-694

CPC A47J 43/04; A47J 43/044; A47J 43/046;
A47J 43/0772; A21C 1/02; B01F 3/0853
See application file for complete search history.

(56) **References Cited**

U.S. PATENT DOCUMENTS

D249,441 S 9/1978 Fukumoto
D254,949 S 5/1980 Besford
4,325,643 A 4/1982 Scott

Primary Examiner — Susan E Krakower

Assistant Examiner — Andrew Kerr

(74) *Attorney, Agent, or Firm* — Polson Intellectual Property Law, PC; Margaret Polson; Christopher Sylvain

(57) **CLAIM**

The ornamental design for a cutting device for a nut milk maker, as shown and described.

DESCRIPTION

FIG. 1 is a front perspective view of a cutting device for a nut milk maker.

FIG. 2 is a front elevation view of FIG. 1.

FIG. 3 is a back elevation view of FIG. 1.

FIG. 4 is a left side elevation view of FIG. 1.

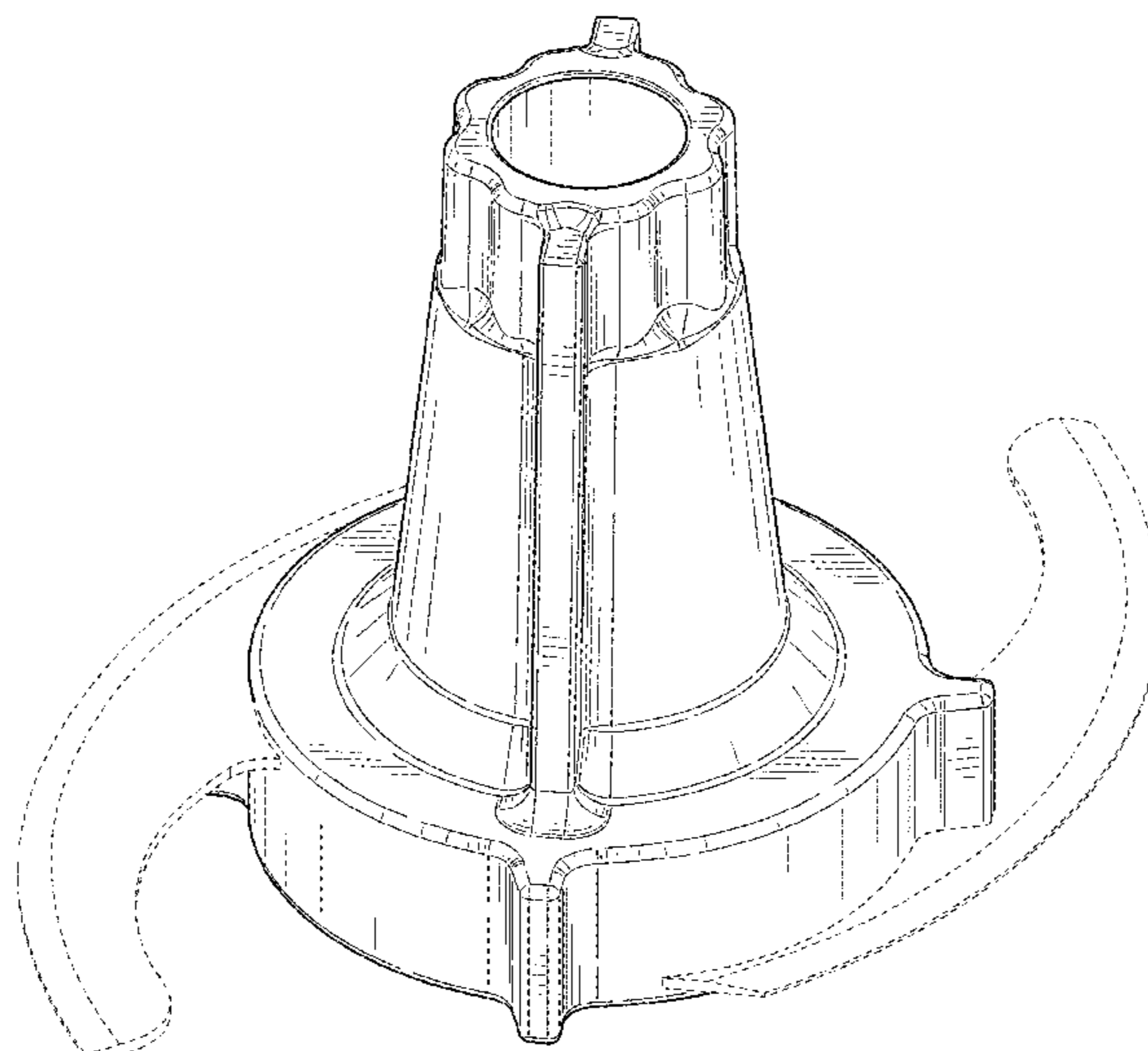
FIG. 5 is a right side elevation view of FIG. 1.

FIG. 6 is a top plan view of FIG. 1; and,

FIG. 7 is a bottom plan view of FIG. 1.

The broken lines in the drawings depict portions of the cutting device for a nut milk maker that form no part of the claimed design.

1 Claim, 6 Drawing Sheets



(56)

References Cited

U.S. PATENT DOCUMENTS

D421,201 S * 2/2000 Crescenzi D7/412
 D421,546 S * 3/2000 Ekstrom D7/412
 D426,744 S * 6/2000 Wong D7/384
 D433,594 S * 11/2000 Wong D7/384
 D466,363 S 12/2002 Dalton et al.
 D468,581 S 1/2003 Short
 6,532,863 B1 * 3/2003 Lee A47J 43/0722
 241/282.1
 D488,344 S 4/2004 Seum et al.
 D499,303 S * 12/2004 Huang D7/412
 D501,628 S * 2/2005 Feil D7/412
 6,953,278 B2 10/2005 Short
 D511,270 S 11/2005 Steiner
 D535,851 S 1/2007 Vavasasseur
 D540,113 S 4/2007 Short
 D560,093 S 1/2008 Verdun
 D588,406 S 3/2009 Ulanski
 D604,101 S * 11/2009 Sands D7/376
 D613,549 S 4/2010 Picozza
 D623,468 S 9/2010 Liu
 D625,142 S 10/2010 Moore
 D625,143 S 10/2010 Moore et al.
 D625,144 S 10/2010 Moore et al.
 D647,365 S 10/2011 Audette et al.
 D651,871 S 1/2012 Coursey
 D660,660 S 5/2012 Kim
 D663,586 S * 7/2012 Audette D7/412
 D668,115 S 10/2012 Potter
 D682,015 S 5/2013 Ragot
 D682,607 S 5/2013 Garman et al.
 D683,578 S 6/2013 Nordwall
 D696,070 S * 12/2013 Audette D7/412
 D700,013 S * 2/2014 Chu D7/412
 D702,993 S 4/2014 Lownds
 8,695,490 B2 * 4/2014 Harris A47J 43/1031
 99/537
 D708,902 S * 7/2014 Audette D7/412
 D709,325 S * 7/2014 Guo D7/412
 D711,682 S 8/2014 Norland et al.
 D729,573 S * 5/2015 Moon D7/412
 D731,234 S 6/2015 Weaden et al.
 D734,979 S 7/2015 Sanguinetti
 D739,679 S 9/2015 Benoit et al.
 D740,621 S 10/2015 Fouquet
 D748,428 S 2/2016 Yuan
 D749,893 S 2/2016 Bazzicalupo et al.
 D758,787 S 6/2016 Ou
 D760,552 S 7/2016 Kim et al.
 D761,056 S * 7/2016 Kemker D7/412
 D761,617 S 7/2016 Dennisur et al.
 D764,241 S 8/2016 Lee
 D764,863 S 8/2016 Lee et al.
 D767,332 S * 9/2016 Strommer D7/412
 D784,761 S 4/2017 Tu
 D786,614 S 5/2017 Smith et al.
 D796,260 S 9/2017 Weaden et al.
 D796,896 S 9/2017 Blaise
 D798,101 S 9/2017 Rose et al.

D799,891 S 10/2017 Lecoutre et al.
 D807,700 S 1/2018 Tu
 D809,342 S 2/2018 Coakley
 D812,416 S 3/2018 Carlson
 D815,887 S 4/2018 Huang et al.
 D834,878 S 12/2018 Moon
 D842,643 S * 3/2019 Mullen D7/378
 D846,342 S * 4/2019 Smith D7/384
 D850,221 S 6/2019 Gross et al.
 D853,177 S 7/2019 McConnel
 D862,975 S * 10/2019 Bodum D7/378
 D891,854 S * 8/2020 Miller D7/378
 D896,033 S * 9/2020 Monk D7/412
 D904,822 S * 12/2020 Koszylko D7/386
 D905,493 S * 12/2020 Ye D7/378
 2006/0018189 A1 1/2006 Chien
 2006/0198240 A1 9/2006 Short
 2010/0246320 A1 * 9/2010 Sands B01F 7/00633
 366/246
 2011/0011281 A1 * 1/2011 Allen A47J 43/046
 99/537
 2012/0080549 A1 * 4/2012 Rukavina A47J 43/0722
 241/282.1
 2012/0091245 A1 * 4/2012 Menashes A47J 43/0722
 241/282.1
 2013/0228642 A1 9/2013 Beber
 2014/0117130 A1 5/2014 Conti
 2017/0303744 A1 10/2017 Sutton et al.
 2018/0014695 A1 1/2018 Gross et al.
 2018/0338643 A1 * 11/2018 Hammond A47J 43/046

OTHER PUBLICATIONS

User manual dated 2013 for Oster Designed For Life blenders made by Sunbeam Products, Inc. pp. 1-19.
 Instruction and Recipe Booklet dated 2015 for Premier Series 9-Cup Food Processor, DLC-2009M Series, made by Cuisinart. 73 pages.
 Owner's manual dated Mar. 20, 2012 for Hamilton Beach Food Processor. pp. 1-12.
 Owner's Guide dated Dec. 12, 2006 for Ninja Mega Kitchen System BL770 series sold by Euro-Pro Operating LLC. 24 pages.
 Owner's Guide dated Jun. 27, 2012 for Ninja Mega Kitchen System BL772 sold by Euro-Pro Operating LLC. 24 pages.
 Owner's manual dated Jan. 18, 2014 for Hamilton Beach Blender. pp. 1-12.
 Instruction and Recipe Booklet dated Apr. 29, 2015 for Peanut Butter Maker model NBM400 made by Nostalgia Products. pp. 1-12.
 Instruction and Recipe Booklet dated May 2, 2016 for Professional Peanut Butter Maker model PBM500 made by Nostalgia Products. pp. 1-13.
 Article "Nut Of Course: Non-Dairy Milk Machine Off to the Races", Barista Magazine Online, Mar. 30, 2017. <https://www.baristamagazine.com/nut-milk-machine-brewista/>.
 Pending design U.S. Appl. No. 29/616,513, filed Sep. 6, 2017.
 Pending design U.S. Appl. No. 29/665,580, filed Oct. 4, 2018.
 Pending design U.S. Appl. No. 29/693,439, filed Jun. 3, 2019.

* cited by examiner

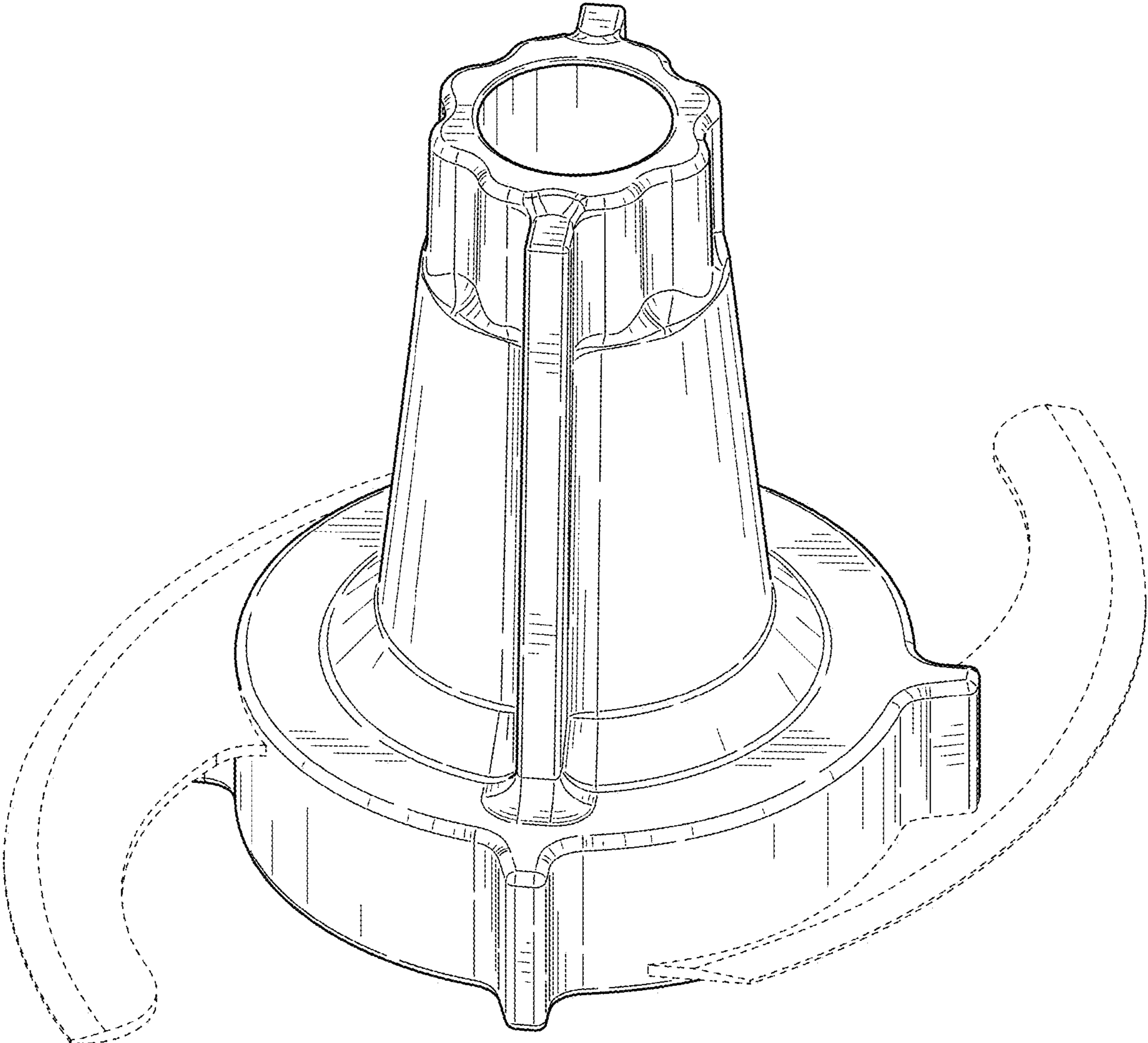


FIG. 1

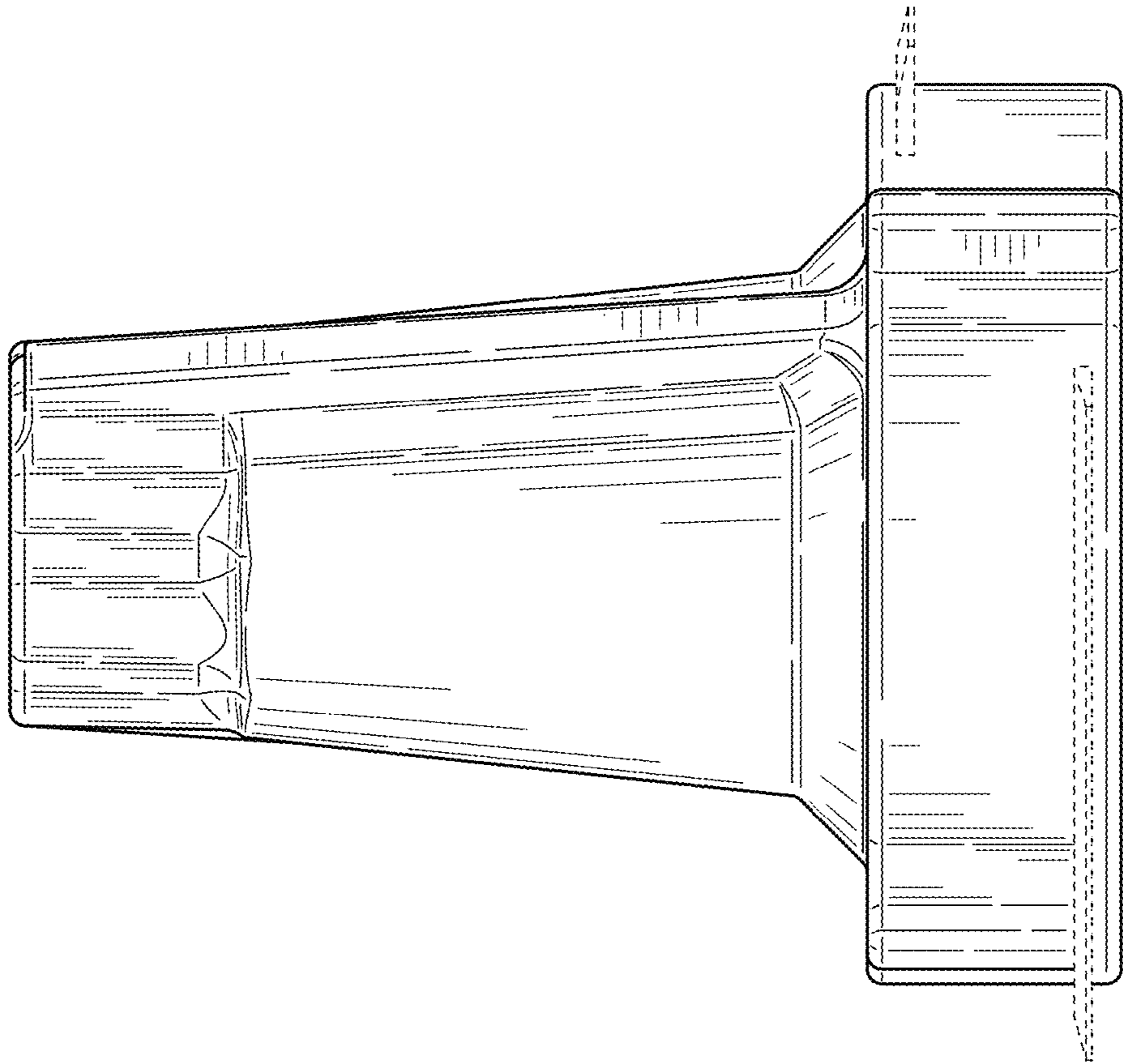


FIG. 3

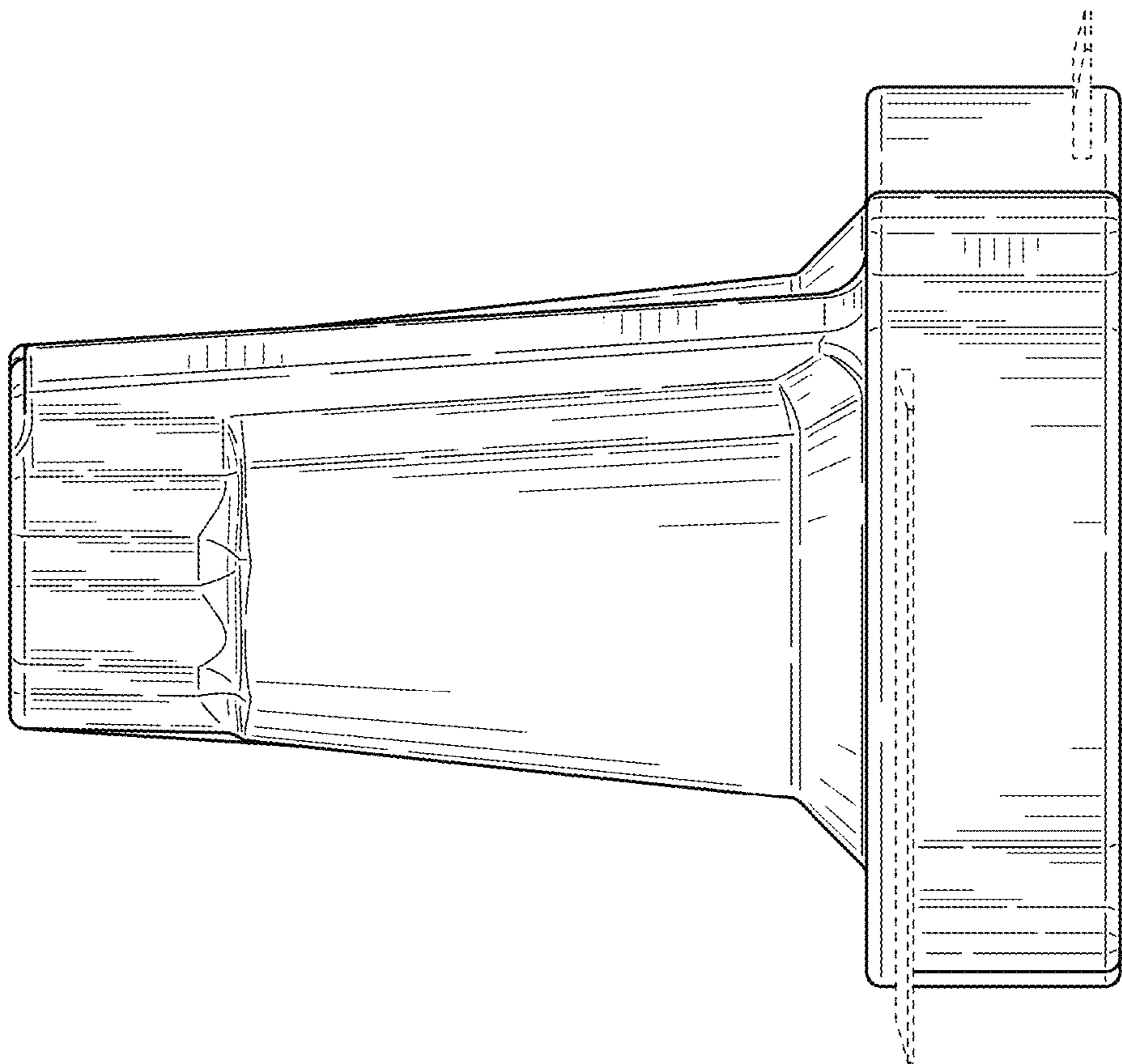


FIG. 2

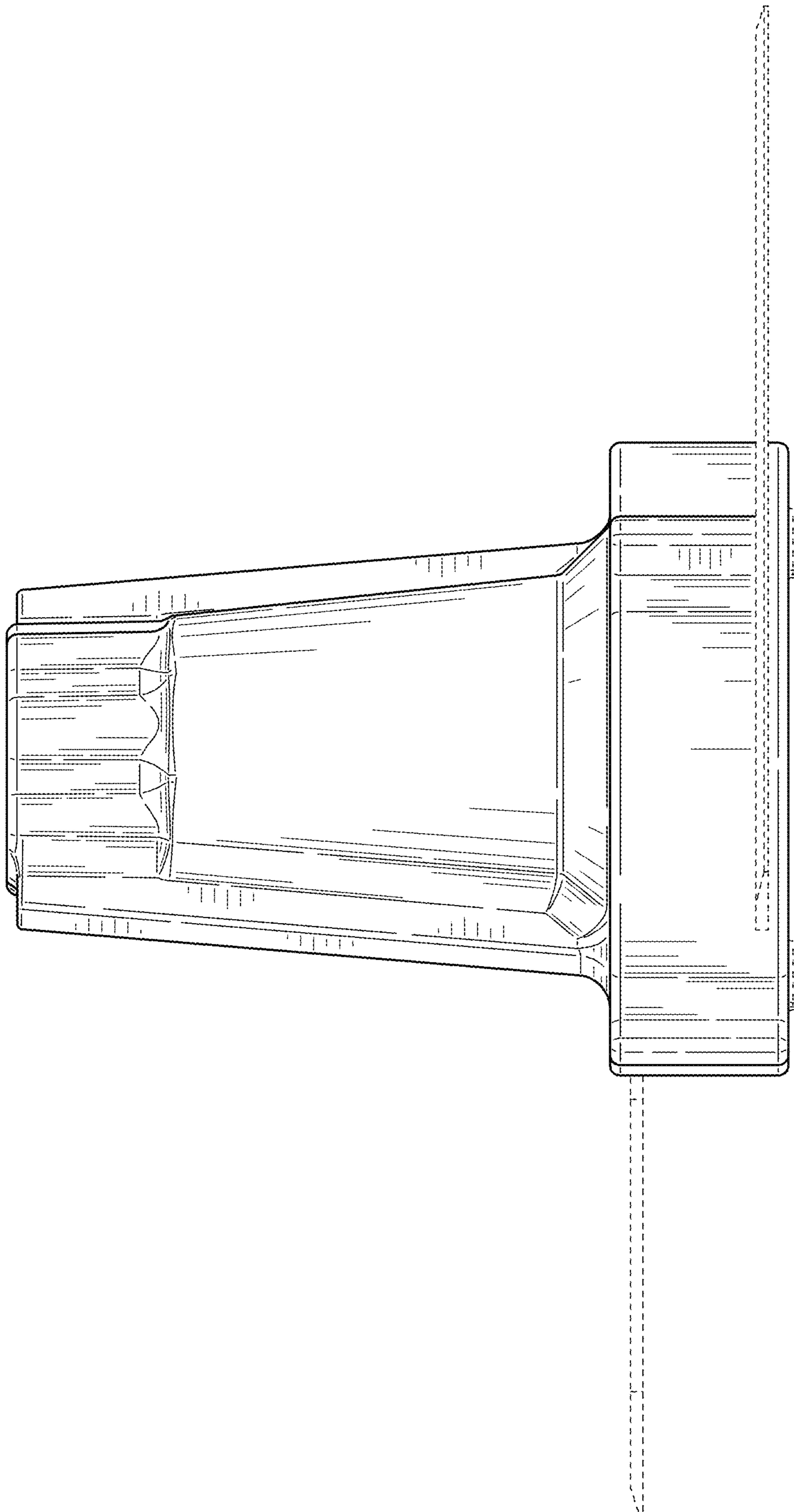


FIG. 4

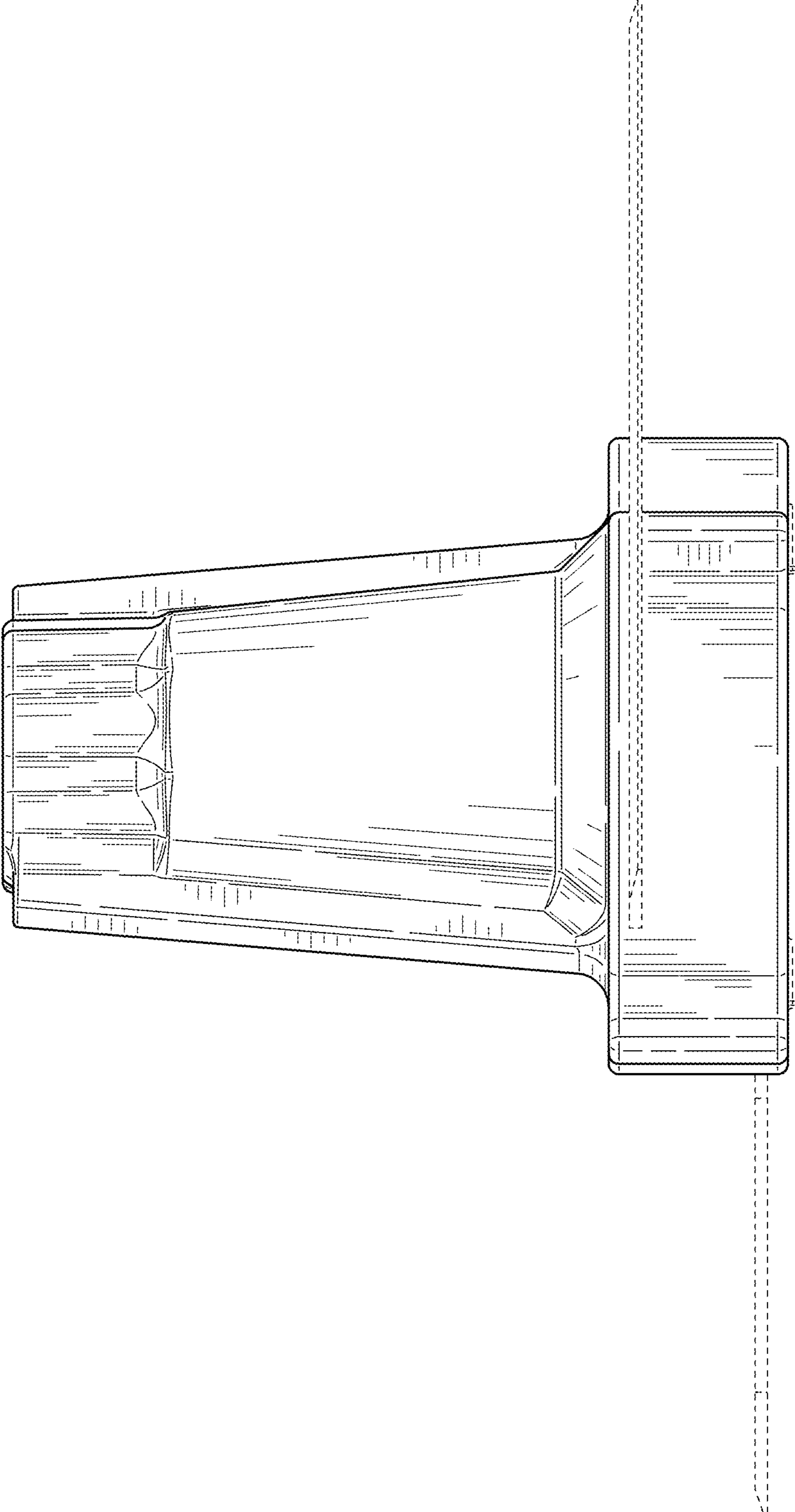


FIG. 5

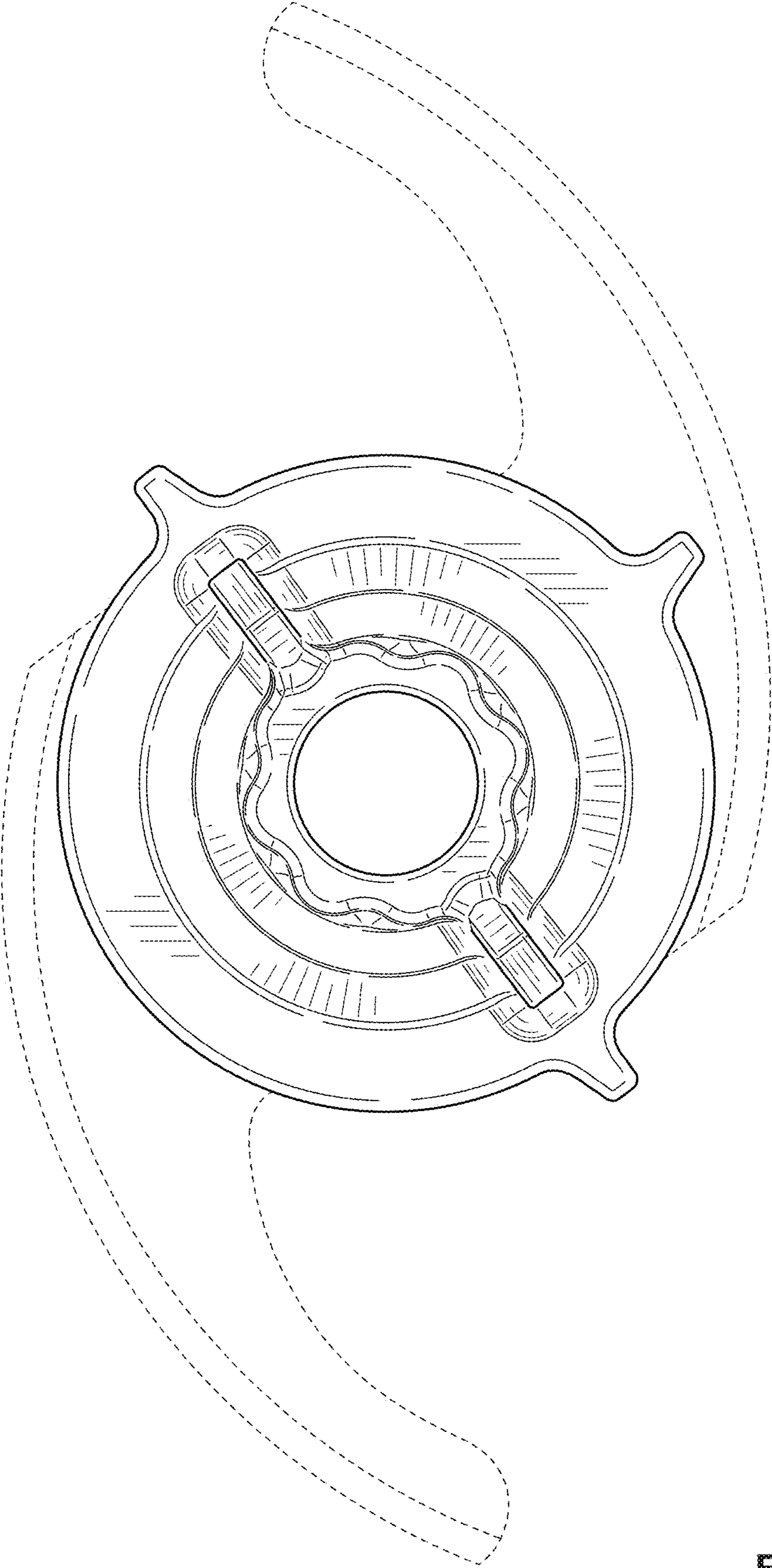


FIG. 6

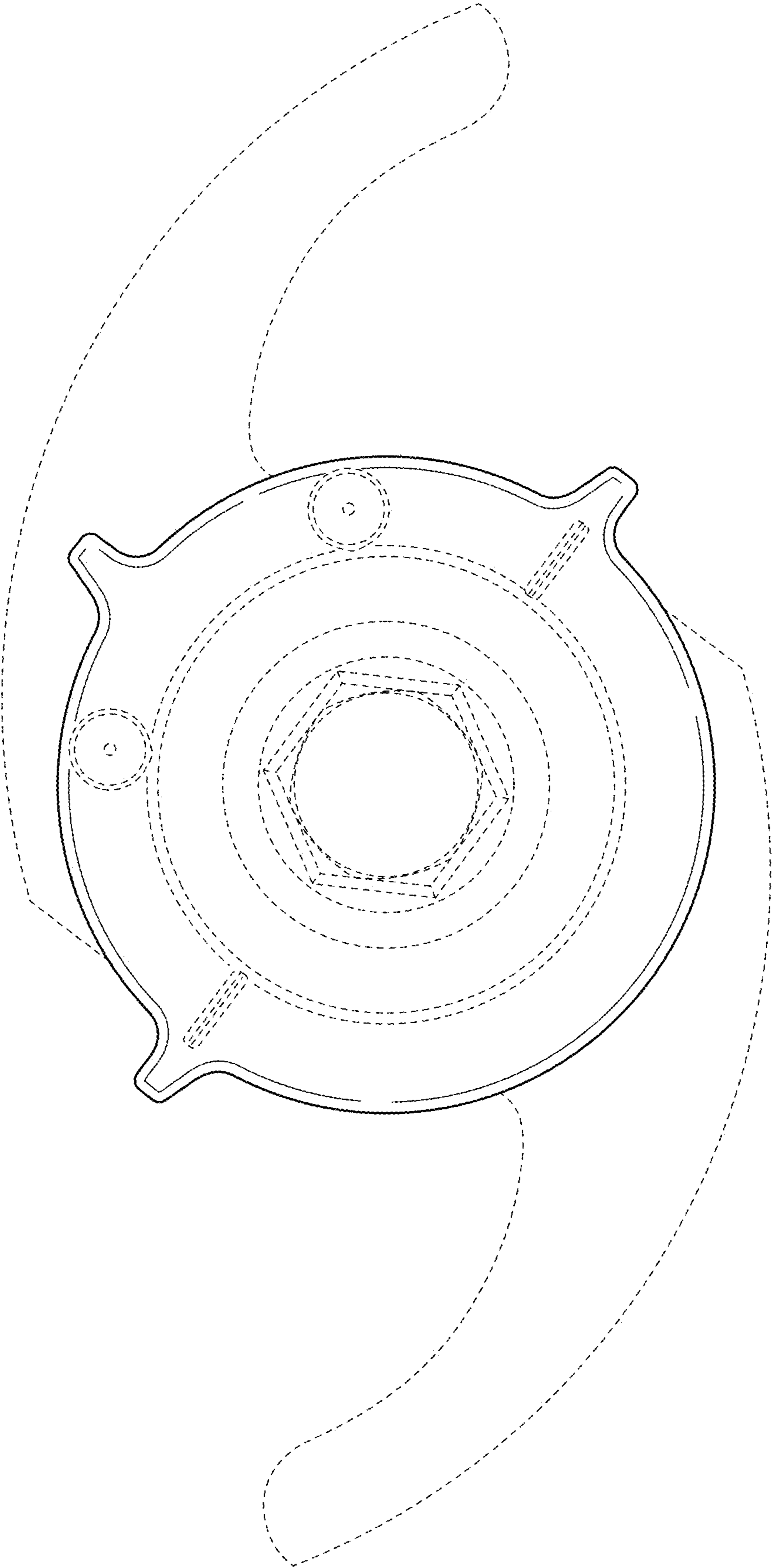


FIG. 7