



US00D934630S

(12) **United States Design Patent**  
**Bacharach**

(10) **Patent No.:** **US D934,630 S**

(45) **Date of Patent:** **\*\* Nov. 2, 2021**

(54) **COOKWARE DEVICE**

(71) Applicant: **Eliahu Bacharach**, Lakewood, NJ (US)

(72) Inventor: **Eliahu Bacharach**, Lakewood, NJ (US)

(\*\*) Term: **15 Years**

(21) Appl. No.: **29/739,942**

(22) Filed: **Jun. 30, 2020**

(51) **LOC (13) Cl.** ..... **07-02**

(52) **U.S. Cl.**

USPC ..... **D7/409**; D7/357; D7/366

(58) **Field of Classification Search**

USPC ..... D7/323, 332, 335-337, 354-355, 357,  
D7/359-364, 387-388, 402, 407-409,  
D7/501, 553.6; D9/425, 757

CPC .... A21B 2/00; A21B 3/00; A21B 3/13; A21B  
3/15; A21B 5/00; A21B 5/02; A23N  
12/06; A23N 12/08; A23N 12/10; A47J  
37/00; A47J 37/04; A47J 37/041; A47J  
37/042; A47J 37/06; A47J 37/0688; A47J  
37/0694; A47J 37/07; A47J 37/0704;  
A47J 37/10; A47J 47/20; A47J 36/2405;  
A47J 2037/00; A47J 2037/06; A47J  
2037/0611; A47J 2037/07; A47J  
2037/0786; A47J 2037/0795; B28B  
7/241; F24C 15/10; F24C 15/12; F24C  
15/14; F24C 15/16; F24C 15/18; F24C  
15/164

See application file for complete search history.

(56) **References Cited**

**U.S. PATENT DOCUMENTS**

1,070,476 A \* 8/1913 Hunholz ..... B28B 7/241  
249/119  
3,034,496 A \* 5/1962 Greenwald ..... A47J 36/24  
126/261

D208,648 S \* 9/1967 Warner ..... D7/611  
D393,775 S \* 4/1998 Otero ..... D7/553.6  
D459,988 S \* 7/2002 Hogman ..... D9/757  
D506,638 S \* 6/2005 Claypool ..... D7/357  
D576,838 S \* 9/2008 Wong ..... D7/501  
D696,896 S \* 1/2014 Weskamp ..... D7/357  
D774,387 S \* 12/2016 Joergensen ..... D9/425  
D848,779 S \* 5/2019 Szymanski ..... D7/357  
D848,780 S \* 5/2019 Lombardo ..... D7/357  
D892,536 S \* 8/2020 Zou ..... D7/357

\* cited by examiner

*Primary Examiner* — Ricky Pham

(57) **CLAIM**

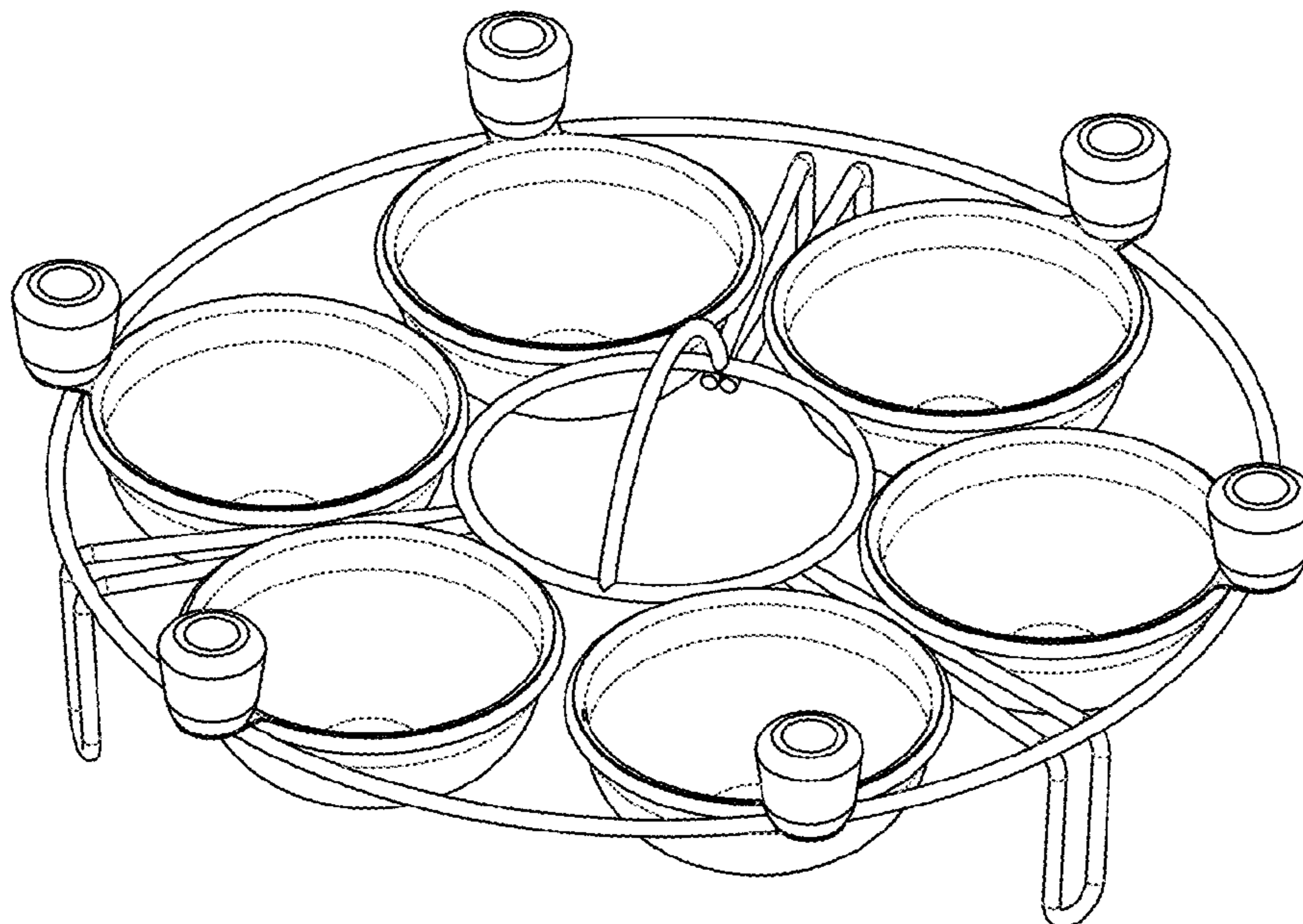
I claim the ornamental design for a cookware device,  
substantially as shown and described.

**DESCRIPTION**

FIG. 1 is a top, perspective view of the cookware device; the  
view showing my new design;  
FIG. 2 is a front elevation view thereof;  
FIG. 3 is a rear elevation view thereof;  
FIG. 4 is a side view thereof;  
FIG. 5 is a side view thereof;  
FIG. 6 is a top view thereof;  
FIG. 7 is a bottom view thereof; and,  
FIG. 8 is a bottom, perspective thereof.

A cookware device, the broken lines showing portions of the  
design in the figures are included for the purpose of illus-  
trating environment and unclaimed features and forms not  
part of the claimed design.

**1 Claim, 8 Drawing Sheets**



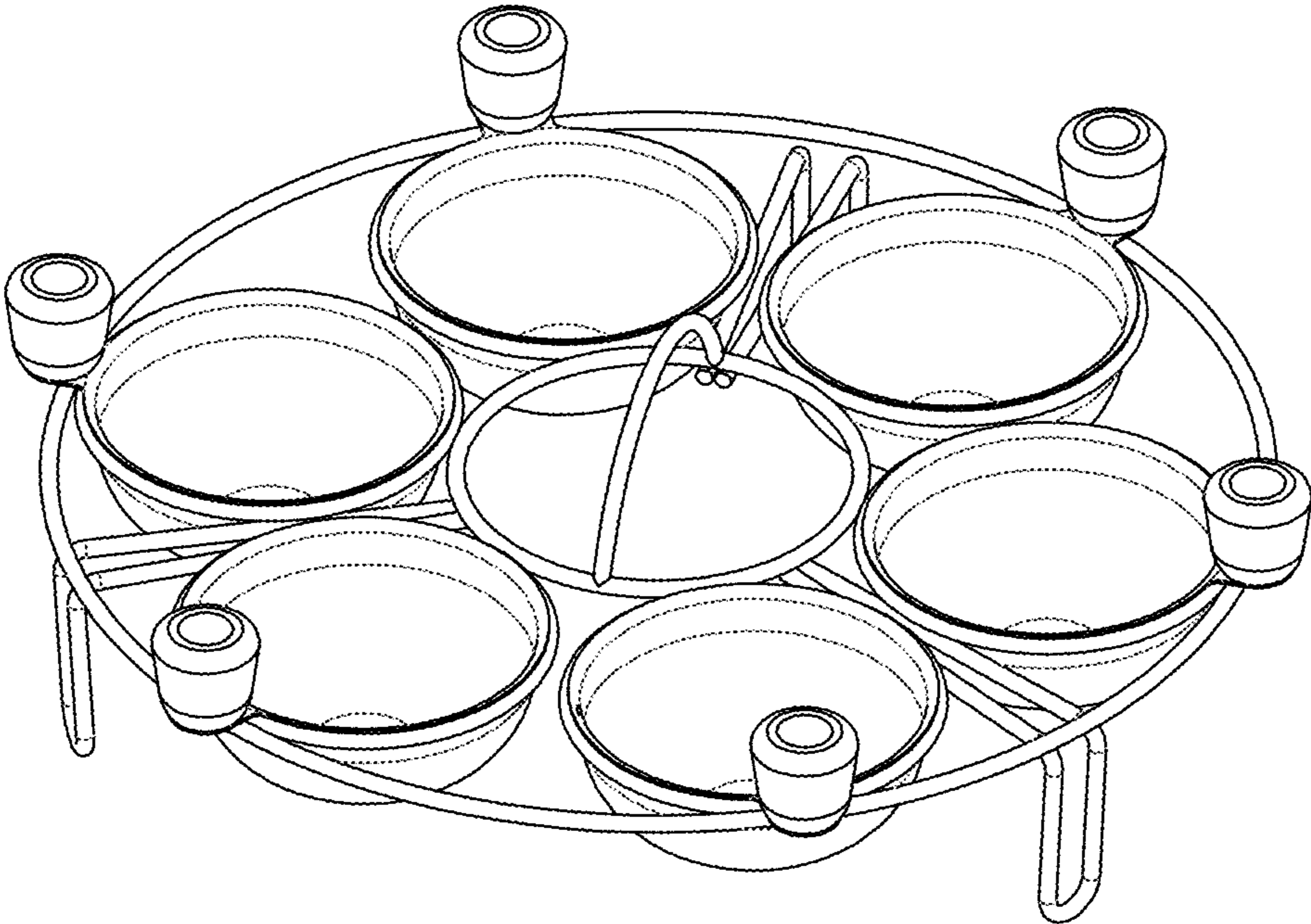


FIG. 1

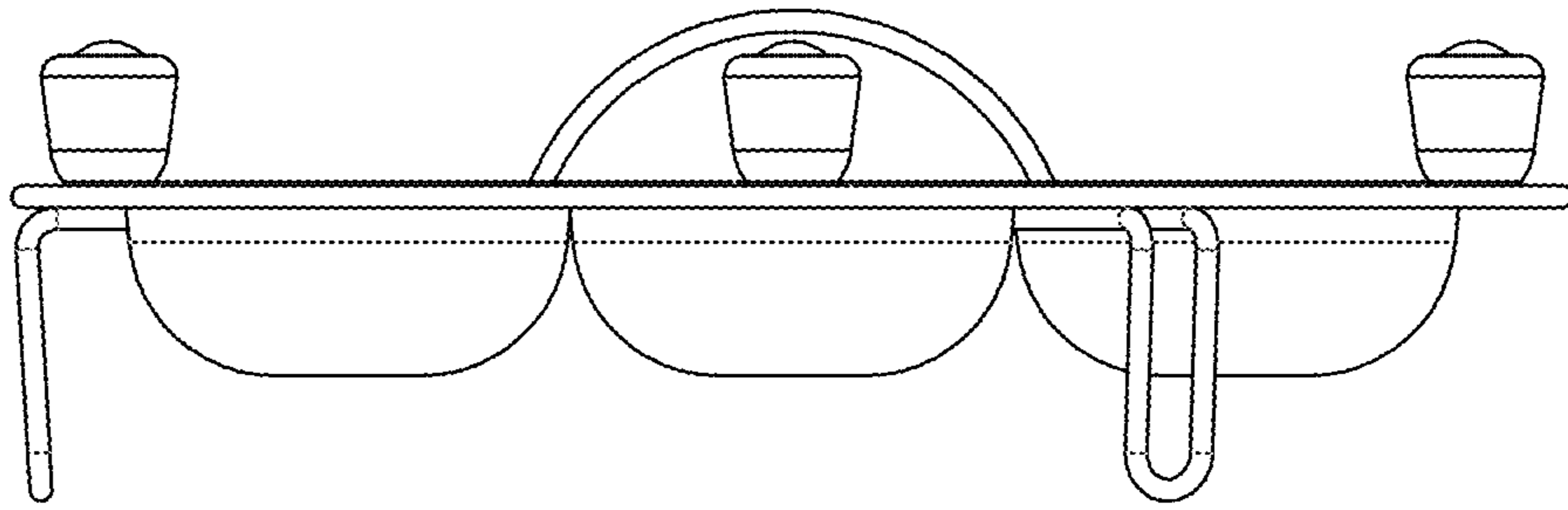


FIG. 2

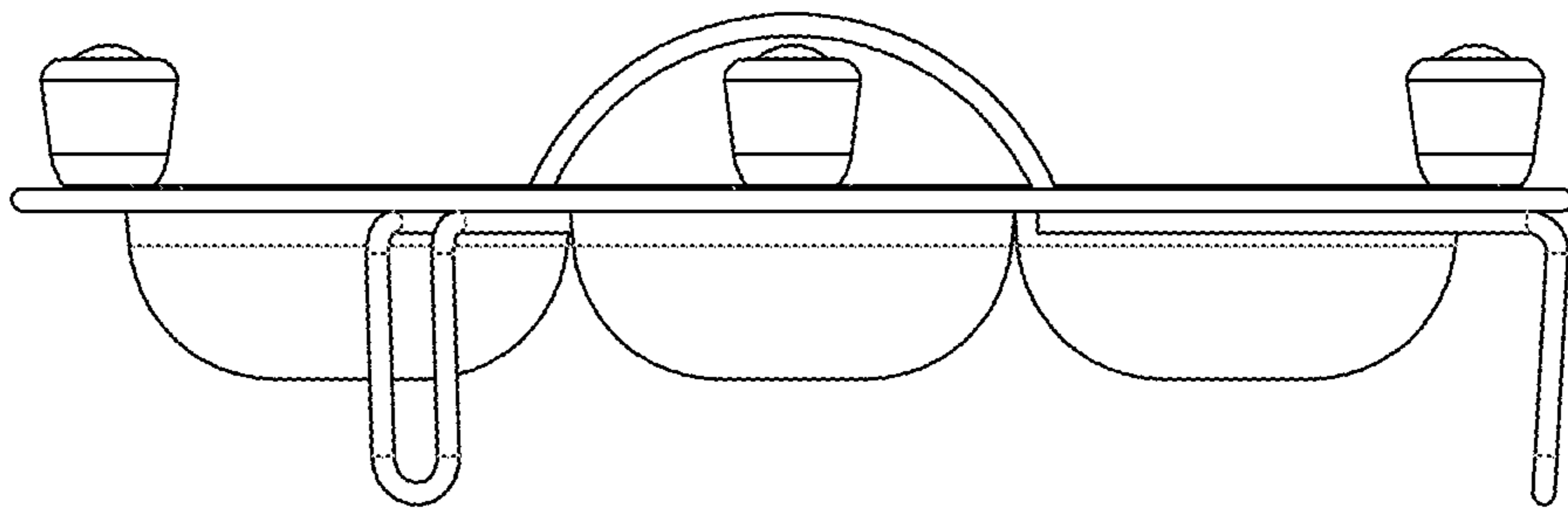


FIG. 3

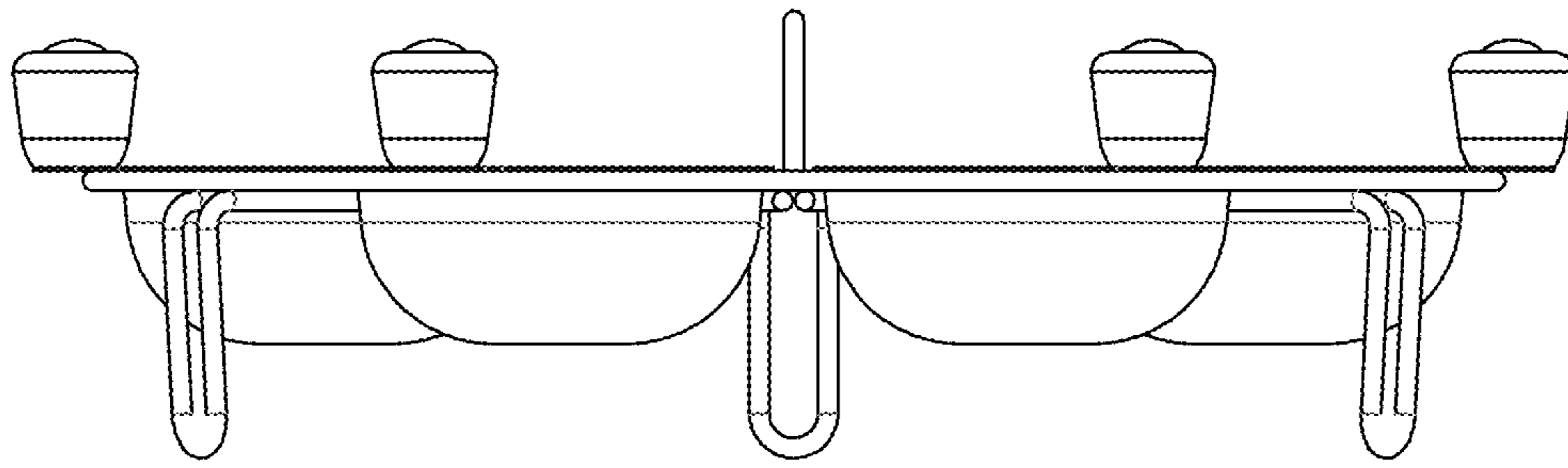


FIG. 4

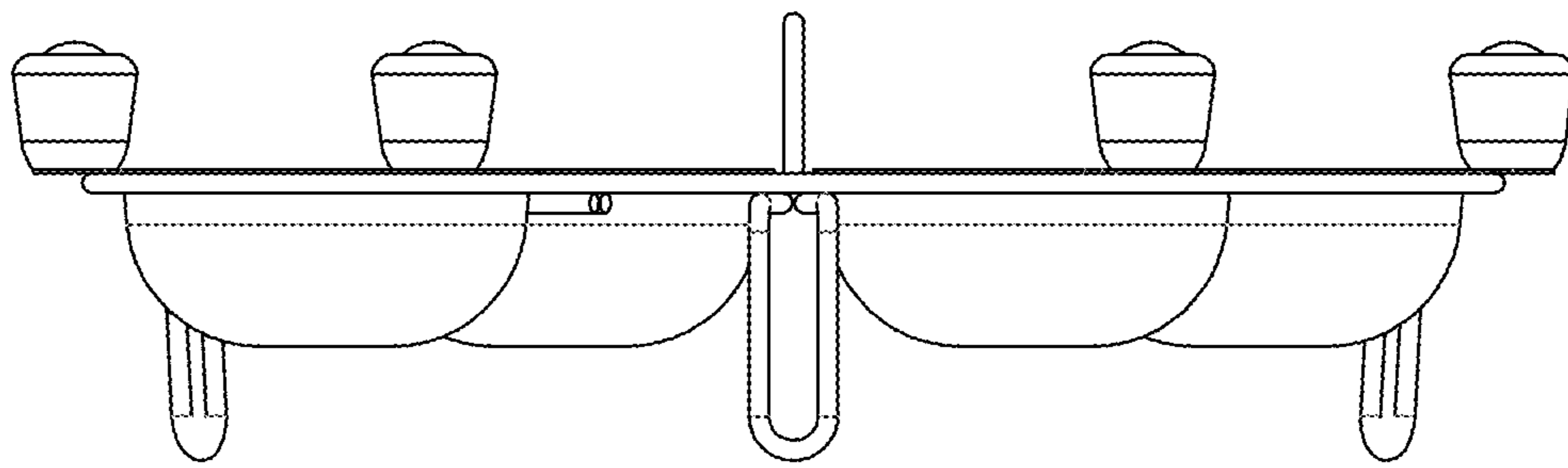


FIG. 5



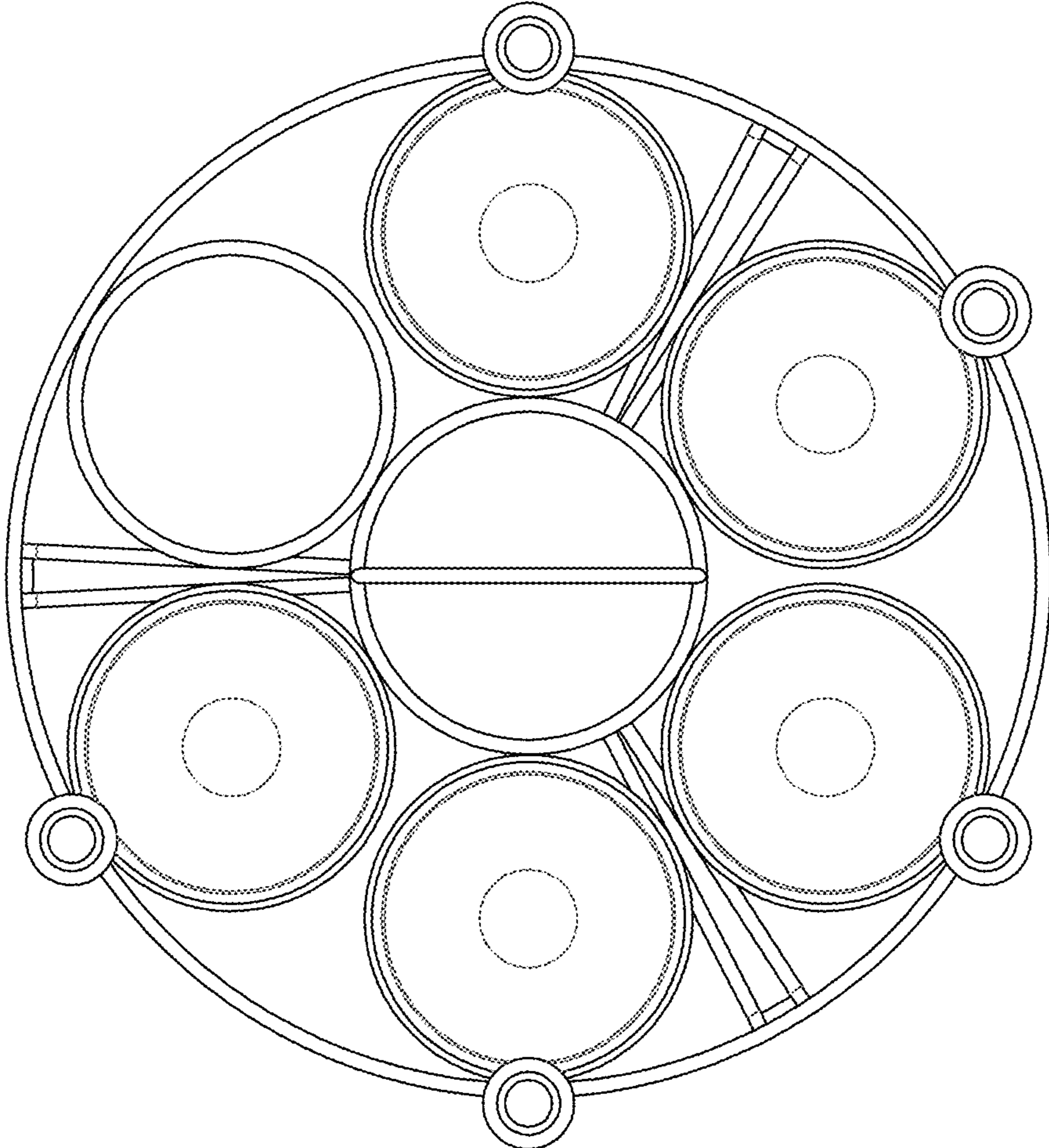


FIG. 6

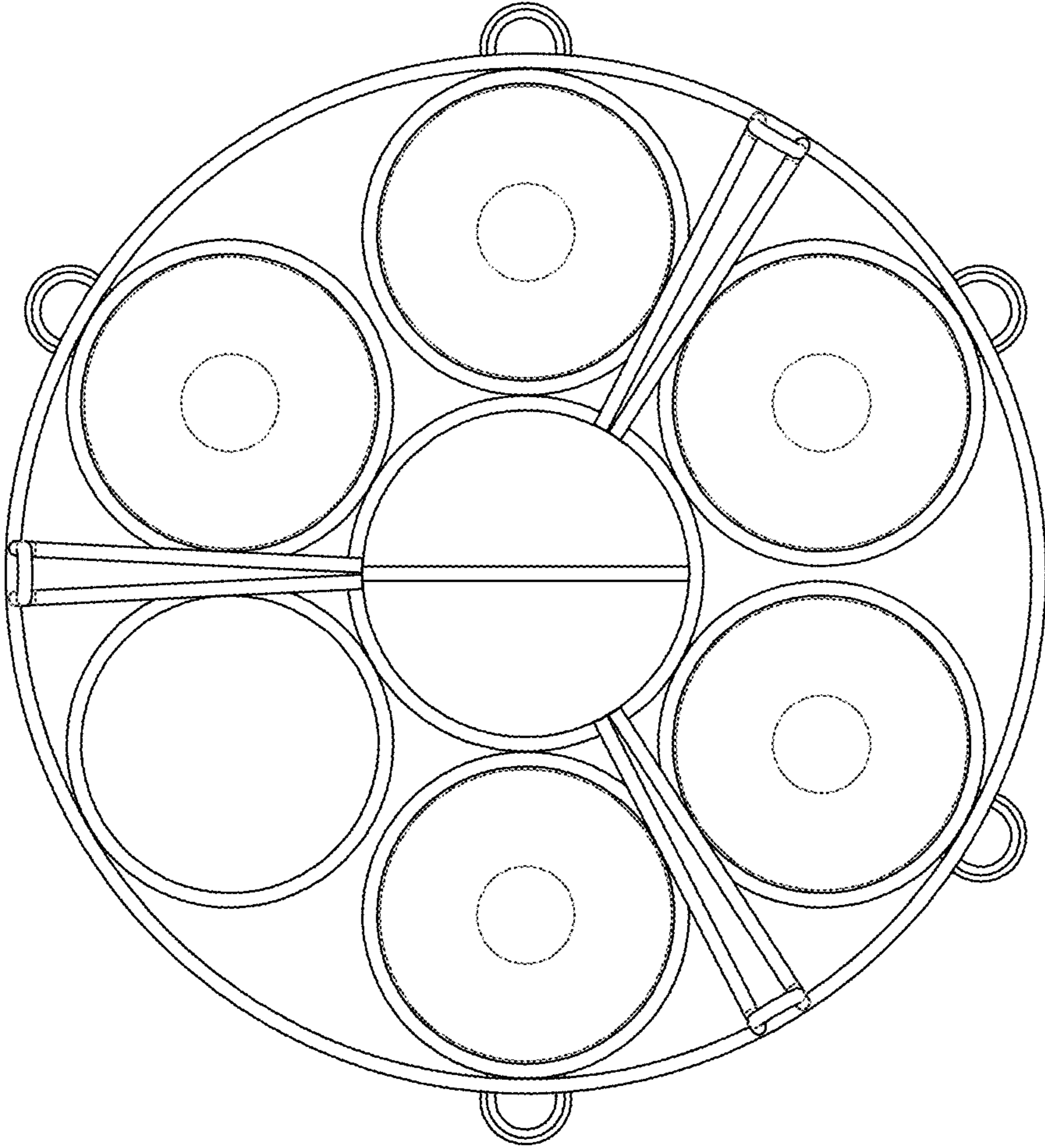


FIG. 7



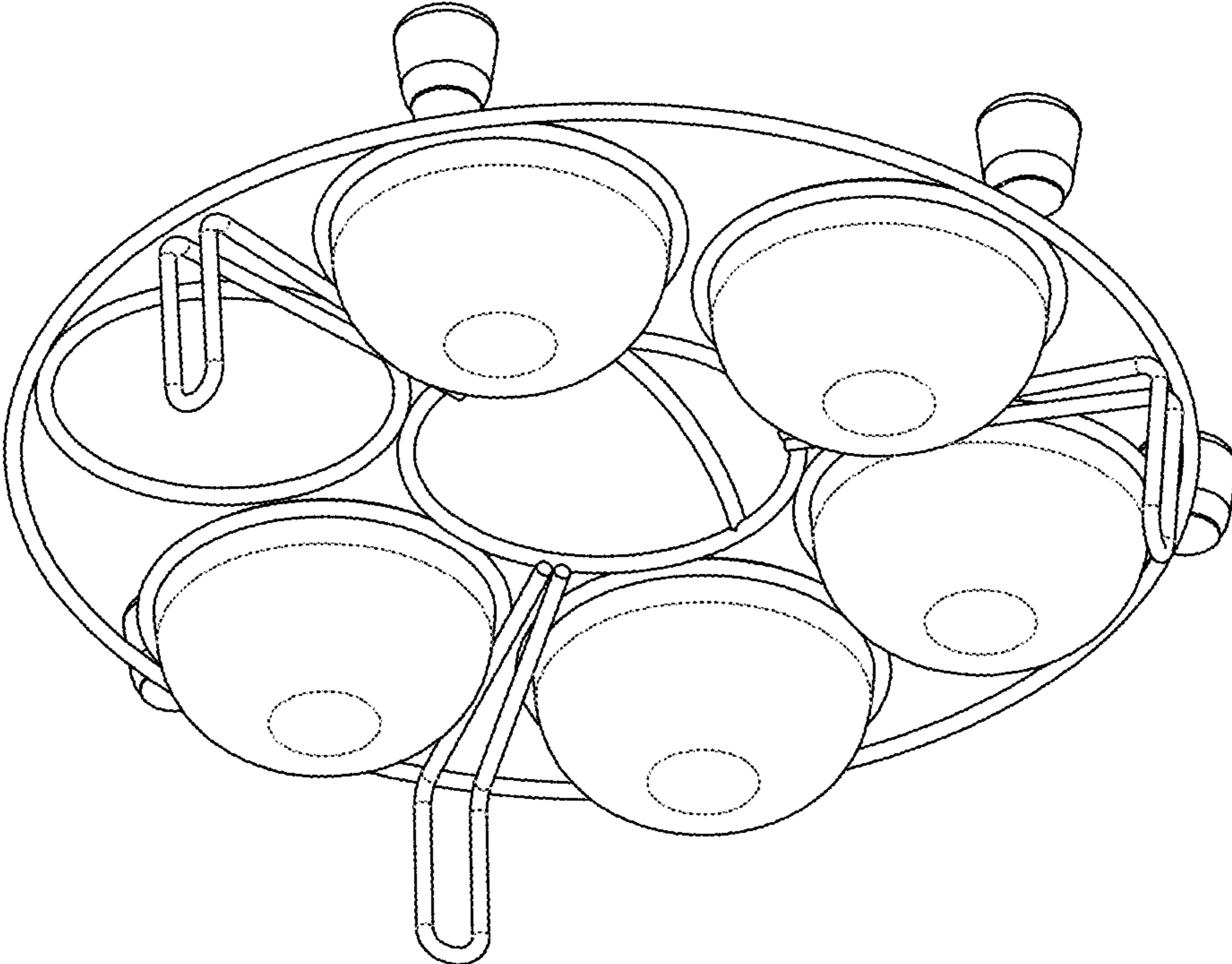


FIG. 8