



US00D934629S

(12) **United States Design Patent** (10) **Patent No.:** **US D934,629 S**  
**Lees** (45) **Date of Patent:** **\*\* Nov. 2, 2021**

(54) **OVEN DOOR**

D859,907 S \* 9/2019 Morenstein ..... H05B 1/0263  
D7/350.1

(71) Applicant: **Anova Applied Electronics, Inc.**, San Francisco, CA (US)

D910,362 S \* 2/2021 Li ..... D7/350.1  
2016/0327279 A1\* 11/2016 Bhogal ..... H05B 1/0263

(72) Inventor: **Harrison John Lees**, San Francisco, CA (US)

**OTHER PUBLICATIONS**

(73) Assignee: **Anova Applied Electronics, Inc.**, San Francisco, CA (US)

The Anova Precision Oven, first available Aug. 18, 2020, YouTube, [online], [site visited Mar. 10, 2021], Available from internet URL: hyperlink (Year: 2020).\*

(\*\*) Term: **15 Years**

Design No. 306001718, Aug. 21, 2020—Chinese National Intellectual Property Administration (CNIPA) Publication Date—Aug. 21, 2020 Owner—Anova Applied Electronics Inc, Designer—Harrison John WIPO, available at <https://www3.wipo.int/designdb/en/index.jsp> (Year: 2020).\*

(21) Appl. No.: **29/731,897**

Anova Precision Oven, Anova Culinary, [online], [site visited Mar. 12, 2021], Available from internet URL: <https://anovaculinary.com/anova-precision-oven/> (Year: 2021).\*

(22) Filed: **Apr. 20, 2020**

(Continued)

**Related U.S. Application Data**

(63) Continuation-in-part of application No. 29/707,314, filed on Sep. 27, 2019.

*Primary Examiner* — Mary Ann Calabrese

(51) **LOC (13) Cl.** ..... **07-02**

*Assistant Examiner* — Natalya M Rapundalo

(52) **U.S. Cl.**

(74) *Attorney, Agent, or Firm* — Banner & Witcoff, Ltd.

USPC ..... **D7/405**; D7/350.1

(57)

**CLAIM**

(58) **Field of Classification Search**

The ornamental design for an oven door, as shown and described.

USPC ..... D7/323, 328, 329, 330, 332, 334, 337, D7/339, 347, 348, 349, 350.1, 350.2, D7/350.3, 350.4, 351, 402, 405, 354, 358

**DESCRIPTION**

CPC ..... A47J 37/00; A47J 37/206; A47J 37/0605; A47J 37/0623; A47J 37/0629; A47J 37/0641; A47J 37/0647; A47J 37/0664; A47J 37/0658; A47J 37/067; A47J 37/07; A47J 37/08; A47J 37/0807

FIG. 1 is a front perspective view of an oven door showing my new design;

FIG. 2 is a front view thereof;

FIG. 3 is a right side view thereof;

FIG. 4 is a left side view thereof;

FIG. 5 is a top view thereof; and,

FIG. 6 is a bottom view thereof.

See application file for complete search history.

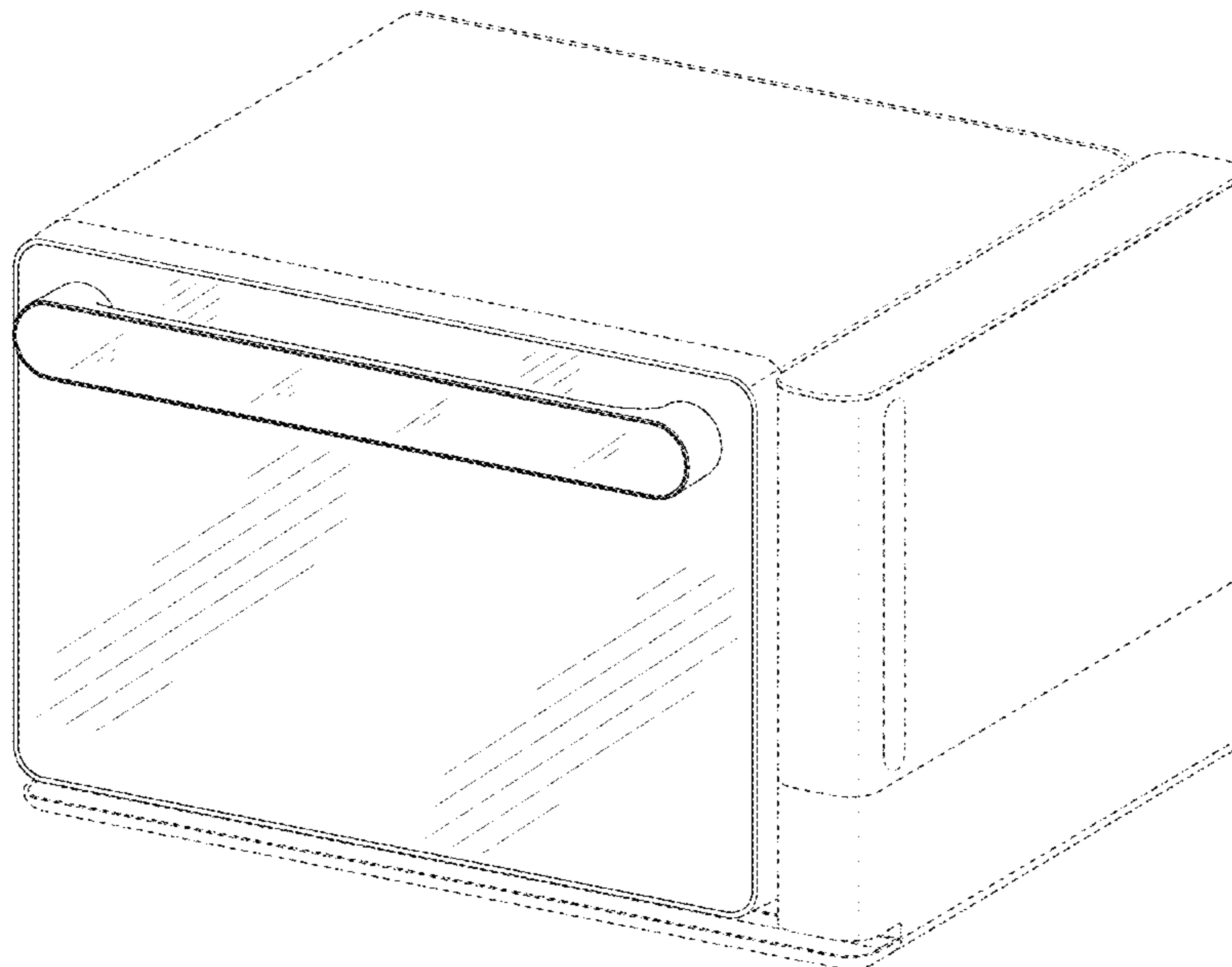
The broken lines depicting the remainder of the oven door and oven represent features which form no part of the claimed design.

(56) **References Cited**

**U.S. PATENT DOCUMENTS**

D802,996 S \* 11/2017 Bhogal ..... D7/405  
D829,485 S \* 10/2018 Morenstein ..... D7/350.1

**1 Claim, 6 Drawing Sheets**



(56)

**References Cited**

OTHER PUBLICATIONS

Brava Oven, Brava, [online], [site visited Mar. 17, 2021], Available from internet URL: <https://www.brava.com/products/marketplace/brava/oven/> (Year: 2021).\*

Design No. D209398-001, Jul. 7, 2020—Korean Intellectual Property Office (KIPO) Publication Date—Jan. 8, 2021 Owner—Samsung Electronics Co., Ltd., Designer—Hwan-Woong Choi et. al. WIPO, available at <https://www3.wipo.int/designdb/en/index.jsp> (Year: 2021).\*

\* cited by examiner

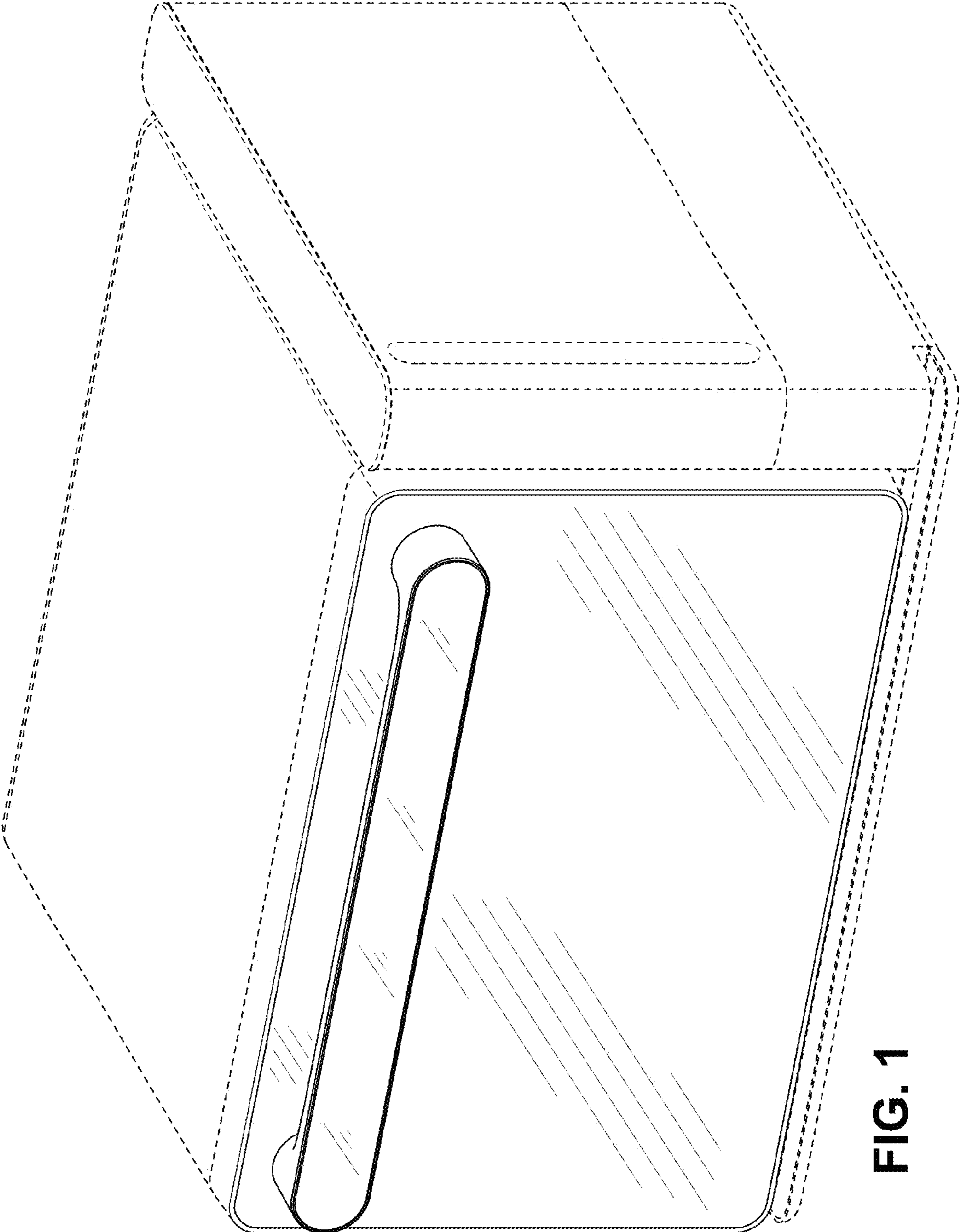


FIG. 1

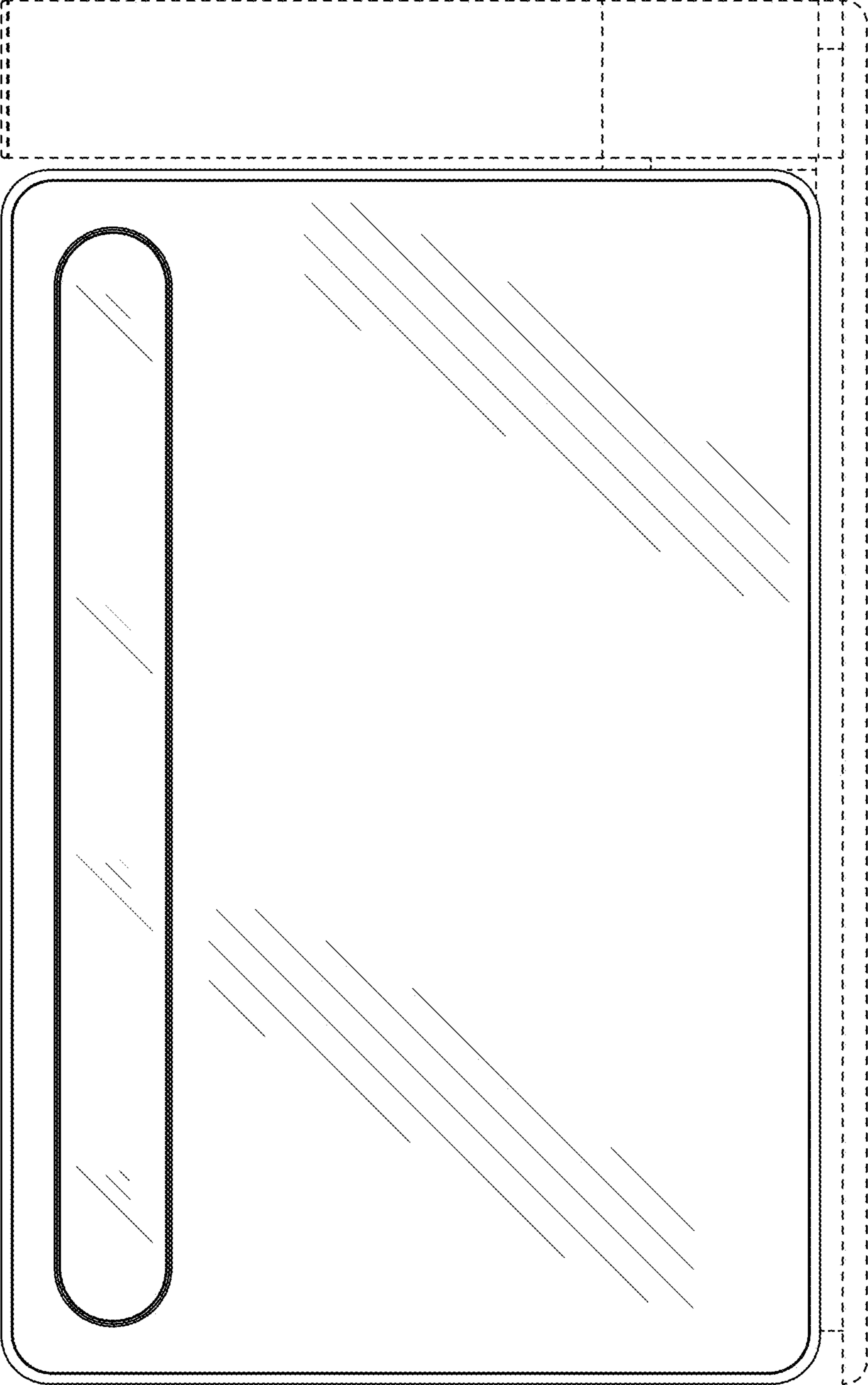
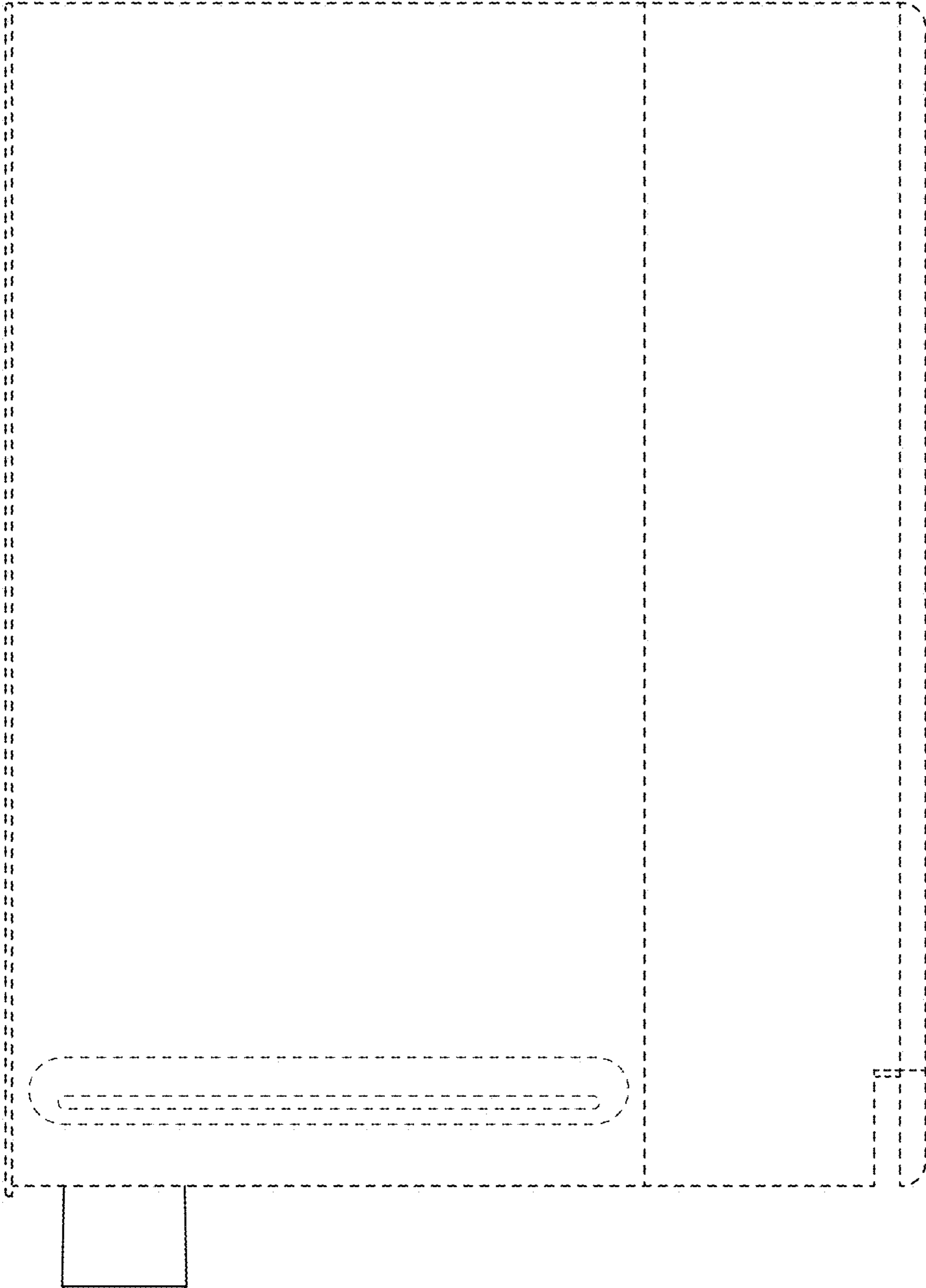
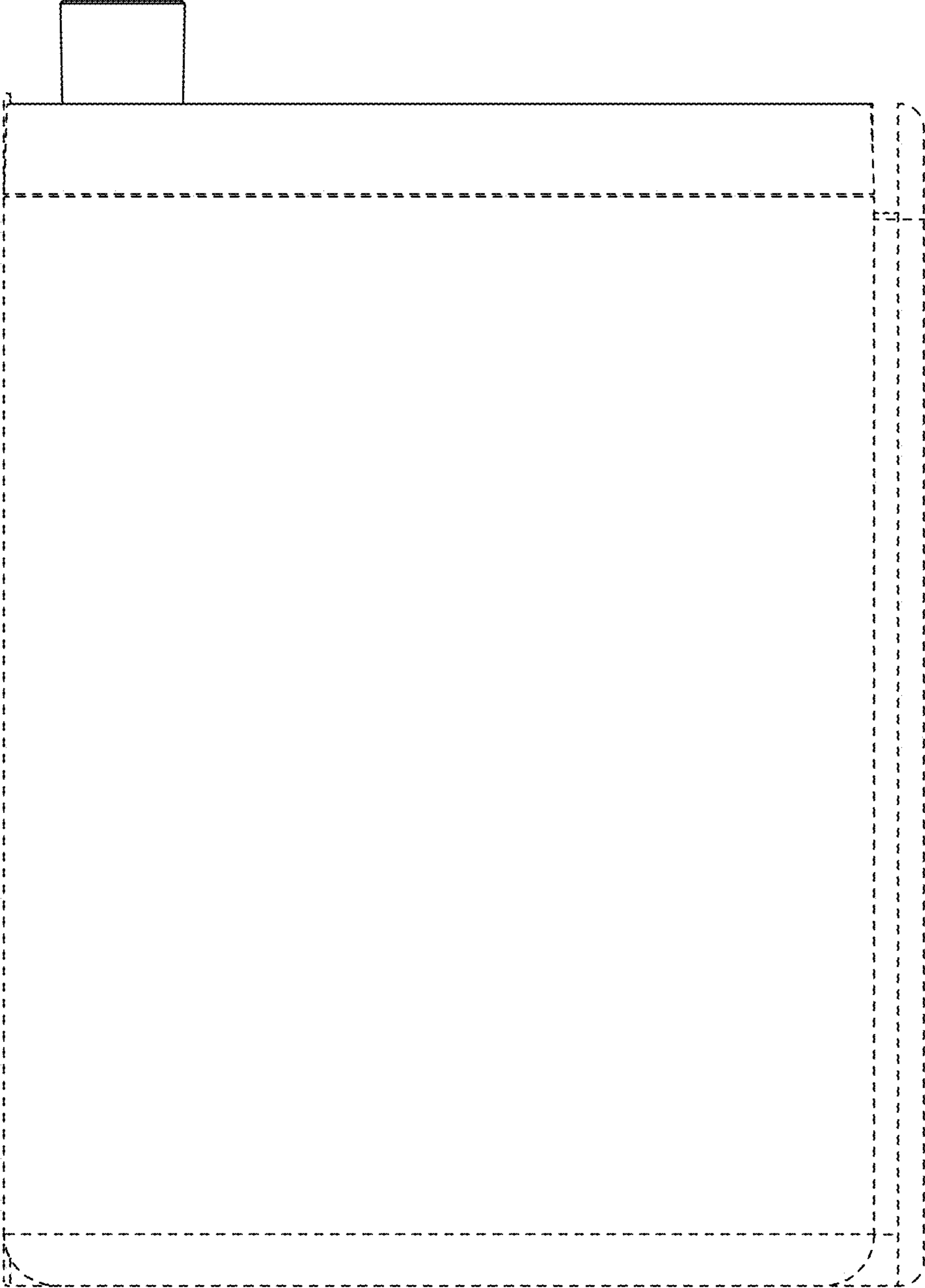


FIG. 2



**FIG. 3**



**FIG. 4**

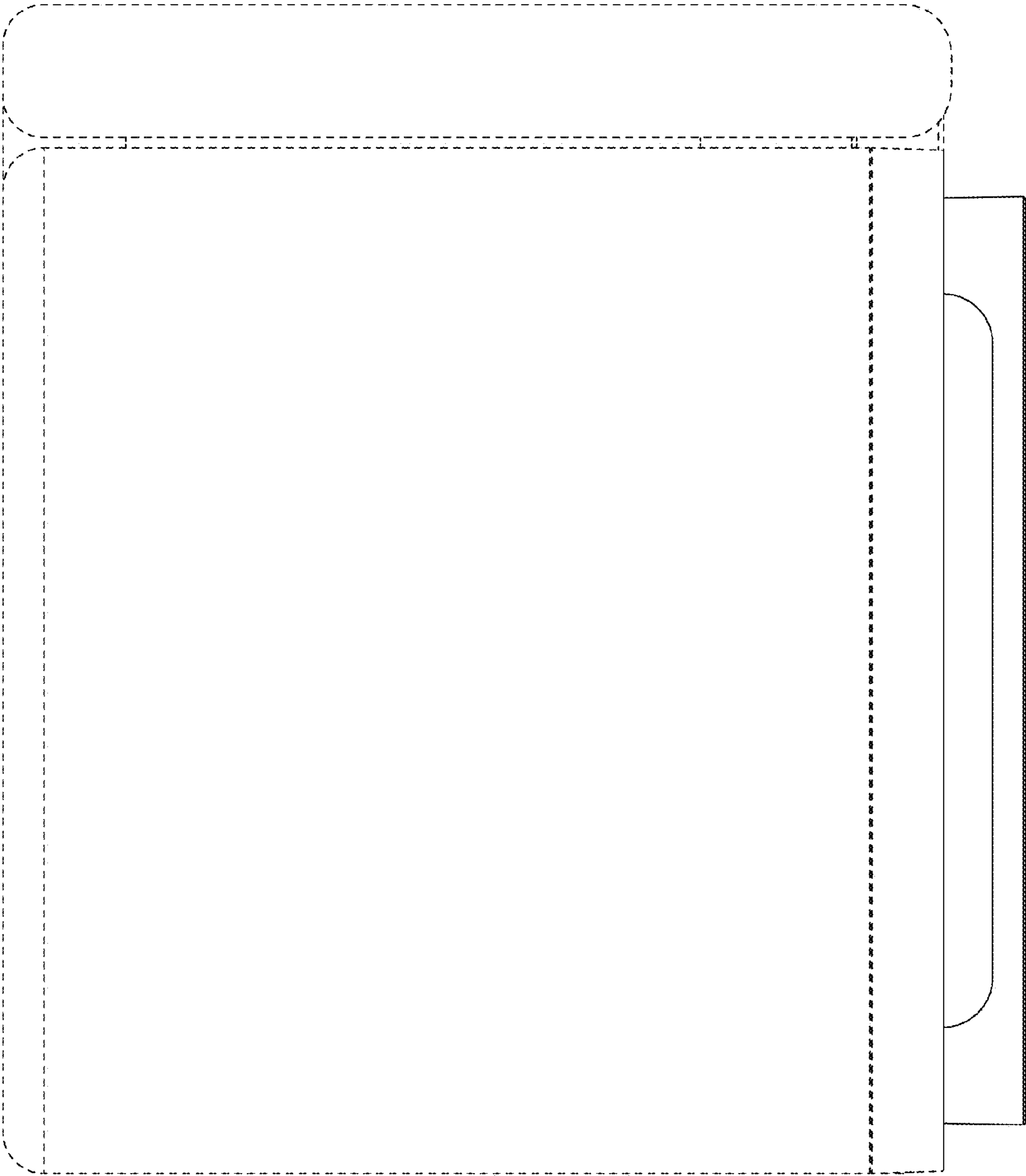


FIG. 5

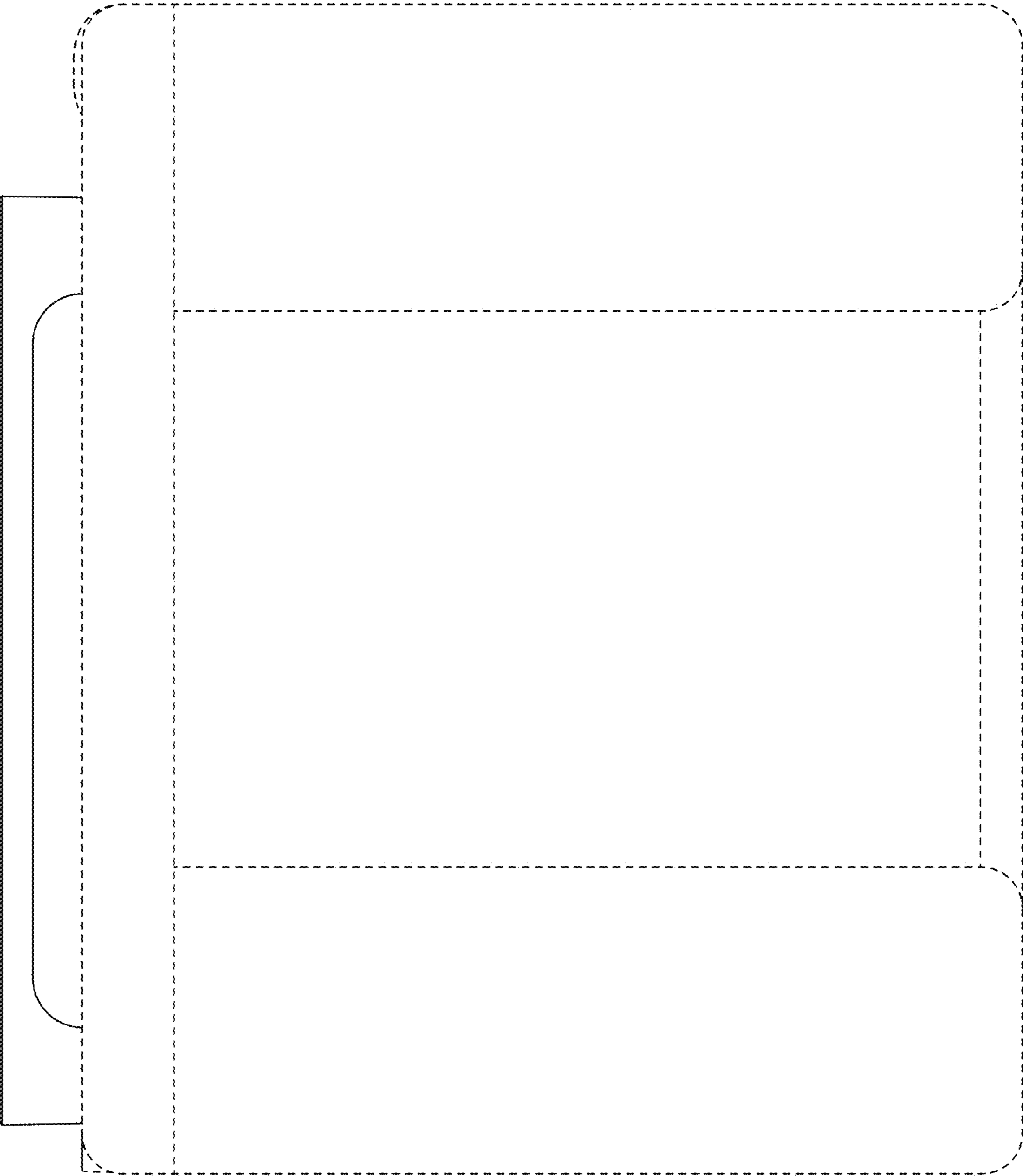


FIG. 6