



US00D934628S

(12) **United States Design Patent** (10) **Patent No.:** **US D934,628 S**  
**Lees** (45) **Date of Patent:** **\*\* Nov. 2, 2021**

(54) **OVEN**

- (71) Applicant: **Anova Applied Electronics, Inc.**, San Francisco, CA (US)
- (72) Inventor: **Harrison John Lees**, San Francisco, CA (US)
- (73) Assignee: **Anova Applied Electronics, Inc.**, San Francisco, CA (US)

(\*\*) Term: **15 Years**

(21) Appl. No.: **29/731,903**

(22) Filed: **Apr. 20, 2020**

**Related U.S. Application Data**

(63) Continuation-in-part of application No. 29/707,314, filed on Sep. 27, 2019.

(51) **LOC (13) Cl.** ..... **07-02**

(52) **U.S. Cl.**  
USPC ..... **D7/402; D7/350.1**

(58) **Field of Classification Search**

USPC ..... D7/323, 328, 329, 330, 332, 334, 337,  
D7/339, 347, 348, 349, 350.1, 350.2,  
D7/350.3, 350.4, 351, 402, 405, 354, 358  
CPC ..... A47J 37/00; A47J 37/206; A47J 37/0605;  
A47J 37/0623; A47J 37/0629; A47J  
37/0641; A47J 37/0647; A47J 37/0664;  
A47J 37/0658; A47J 37/067; A47J 37/07;  
A47J 37/08; A47J 37/0807

See application file for complete search history.

(56) **References Cited**

**U.S. PATENT DOCUMENTS**

- D829,485 S \* 10/2018 Morenstein ..... D7/350.1
- D843,170 S \* 3/2019 Kim ..... H05B 6/6426  
D7/402
- D910,362 S \* 2/2021 Li ..... D7/350.1
- 2016/0058232 A1\* 3/2016 Hoehn ..... H05B 6/6426  
99/403

**OTHER PUBLICATIONS**

The Anova Precision Oven, first available Aug. 18, 2020, YouTube, [online], [site visited Mar. 10, 2021], Available from internet URL: hyperlink (Year: 2020).\*

Design No. 306001718, Aug. 21, 2020—Chinese National Intellectual Property Administration (CNIPA) Publication Date—Aug. 21, 2020 Owner—Anova Applied Electronics Inc, Designer—Harrison John WIPO, available at <https://www3.wipo.int/designdb/en/index.jsp> (Year: 2020).\*

Anova Precision Oven, Anova Culinary, [online], [site visited Mar. 12, 2021], Available from internet URL: <https://anovaculinary.com/anova-precision-oven/> (Year: 2021).\*

\* cited by examiner

*Primary Examiner* — Mary Ann Calabrese

*Assistant Examiner* — Natalya M Rapundalo

(74) *Attorney, Agent, or Firm* — Banner & Witcoff, Ltd.

(57) **CLAIM**

The ornamental design for an oven, as shown and described.

**DESCRIPTION**

FIG. 1 is a front perspective view of an oven showing my new design;

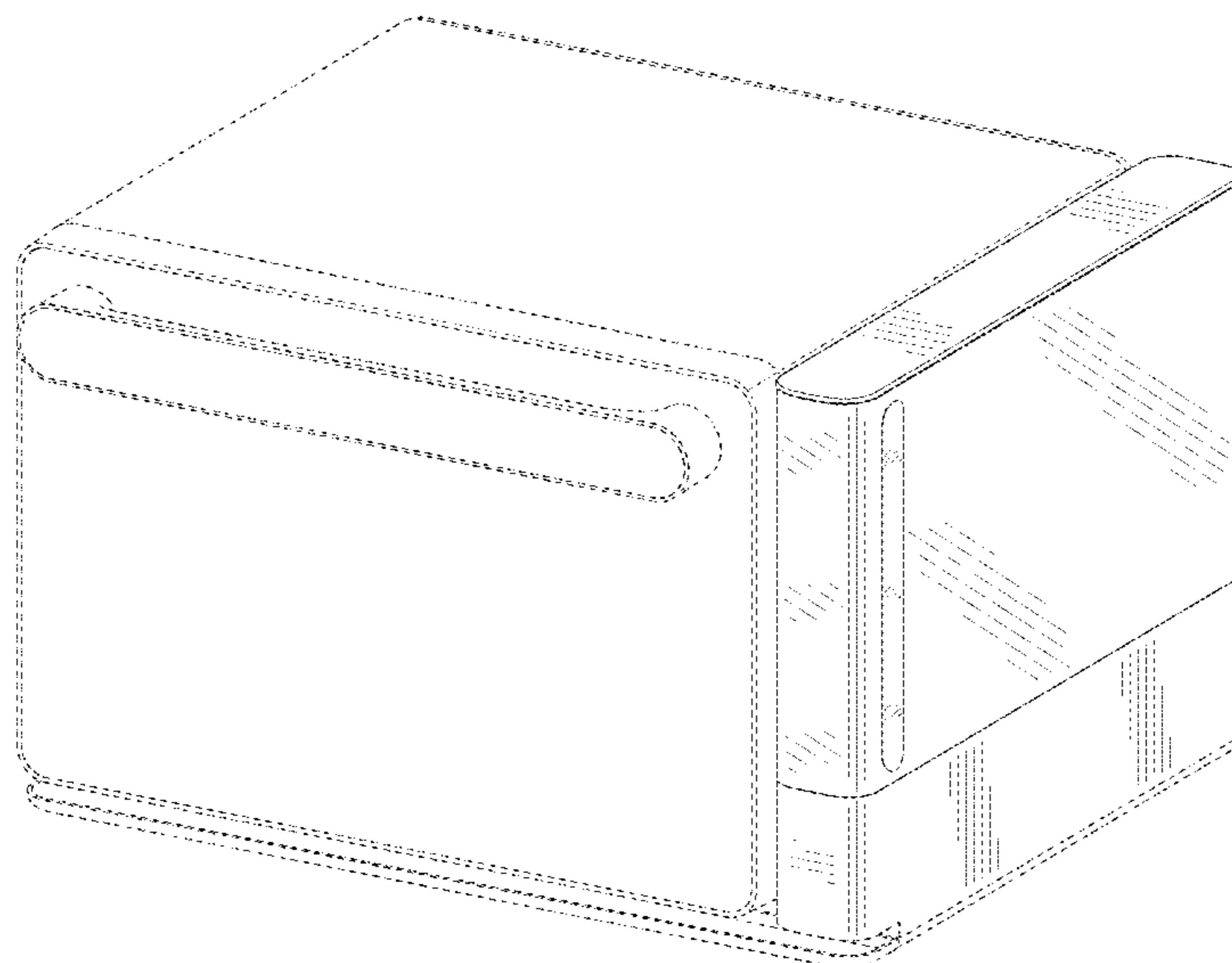
FIG. 2 is a front view thereof;

FIG. 3 is a right side view thereof; and,

FIG. 4 is a top view thereof.

The broken lines depicting the remainder of the oven form no part of the claimed design.

**1 Claim, 4 Drawing Sheets**



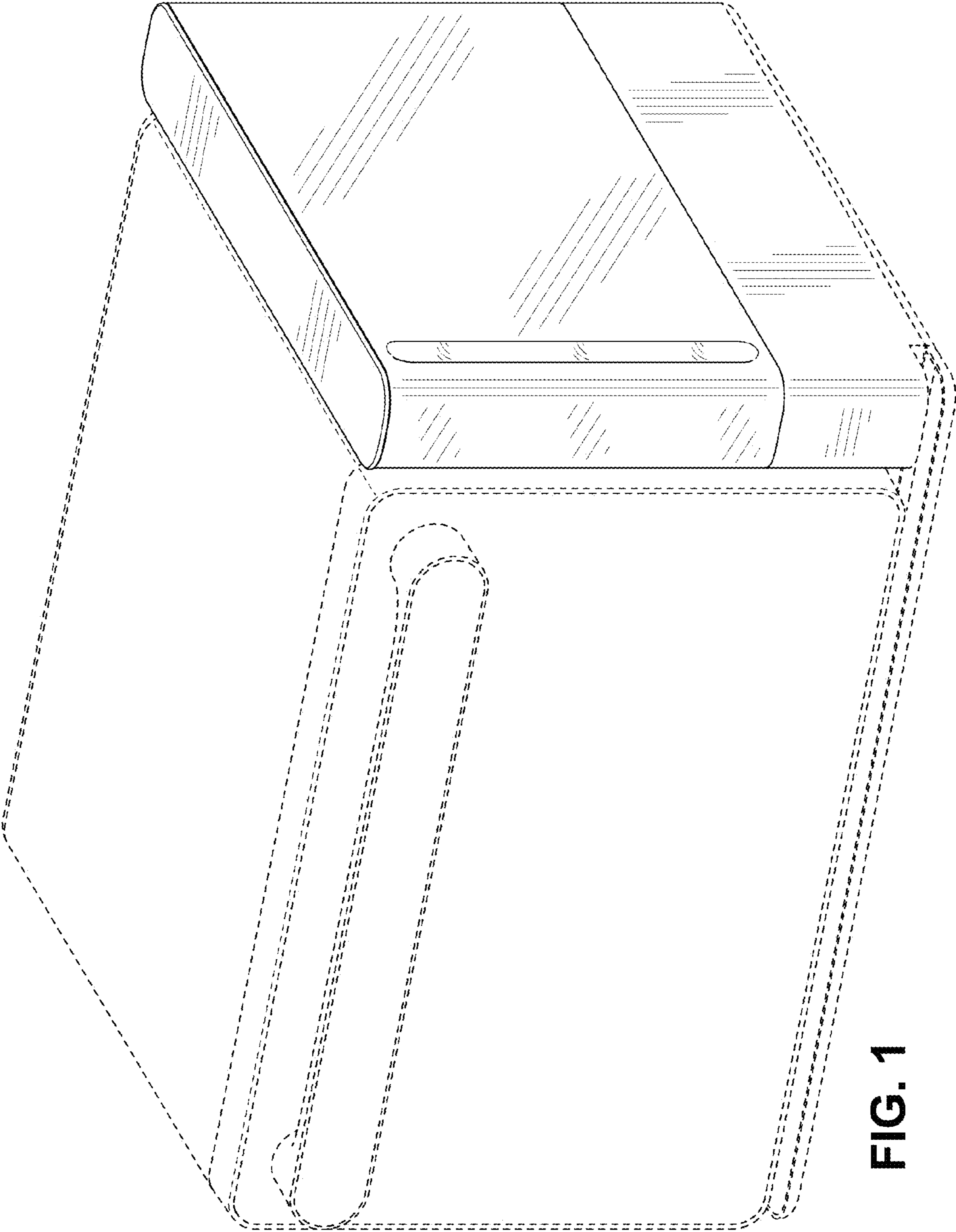


FIG. 1

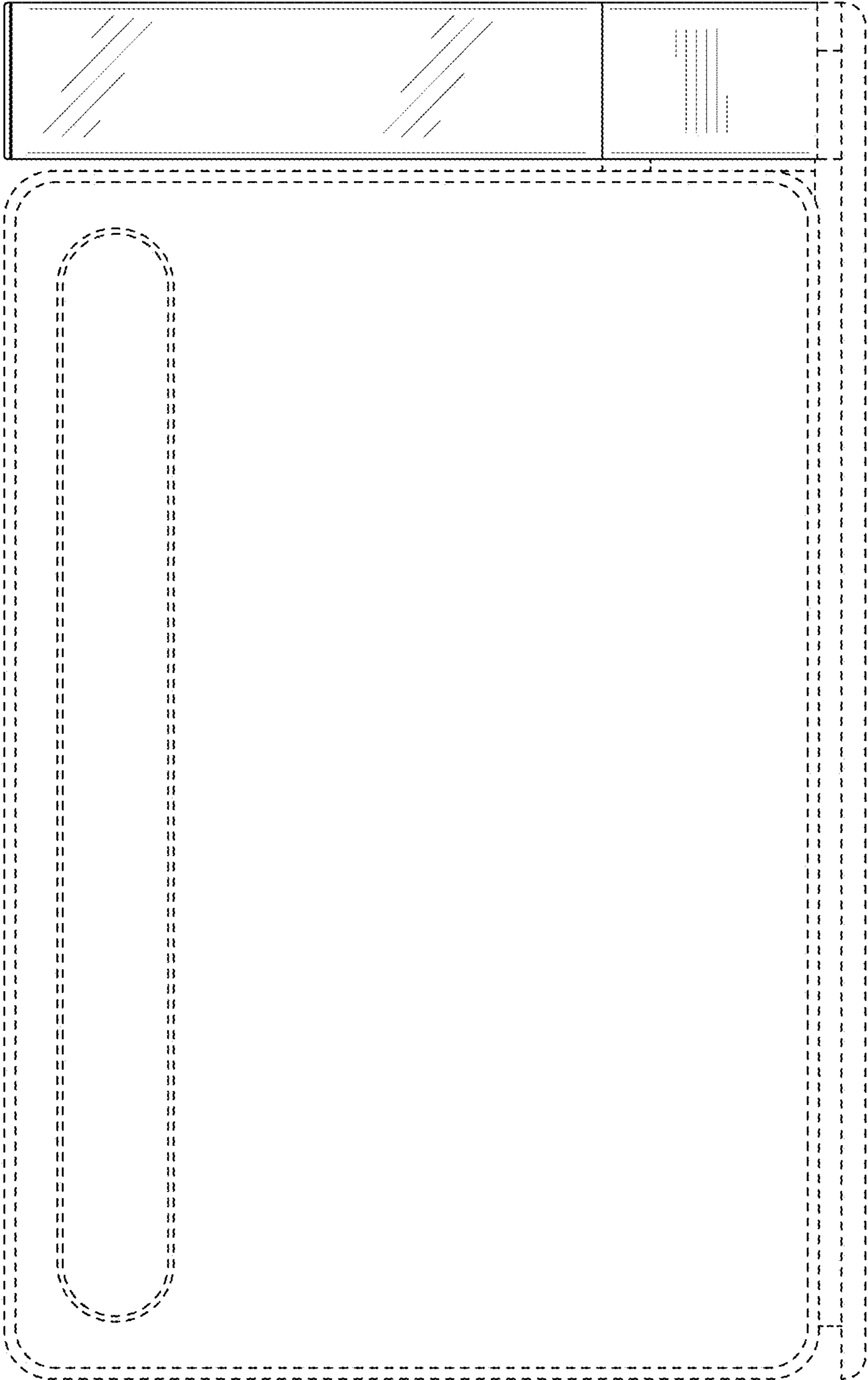


FIG. 2

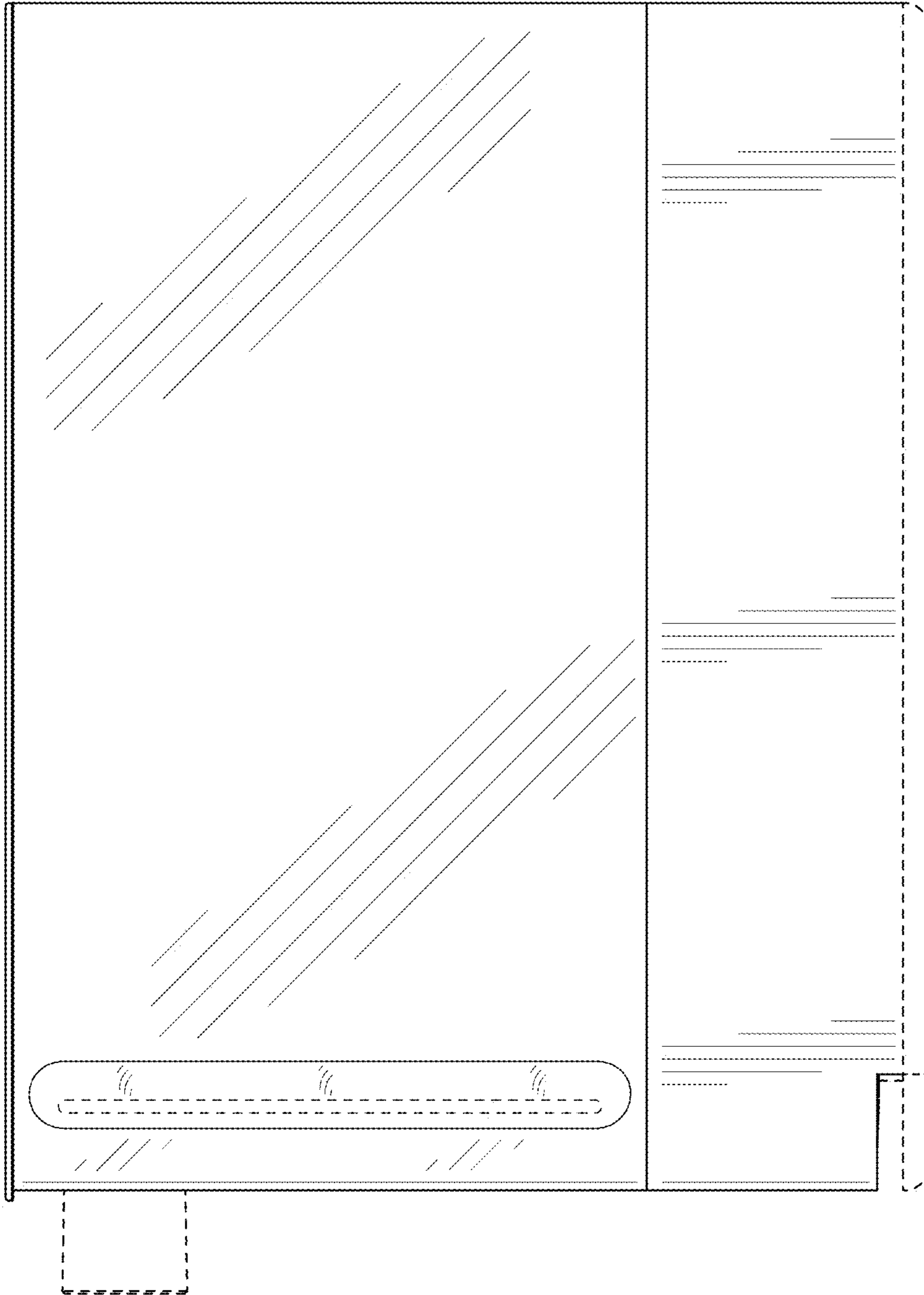


FIG. 3

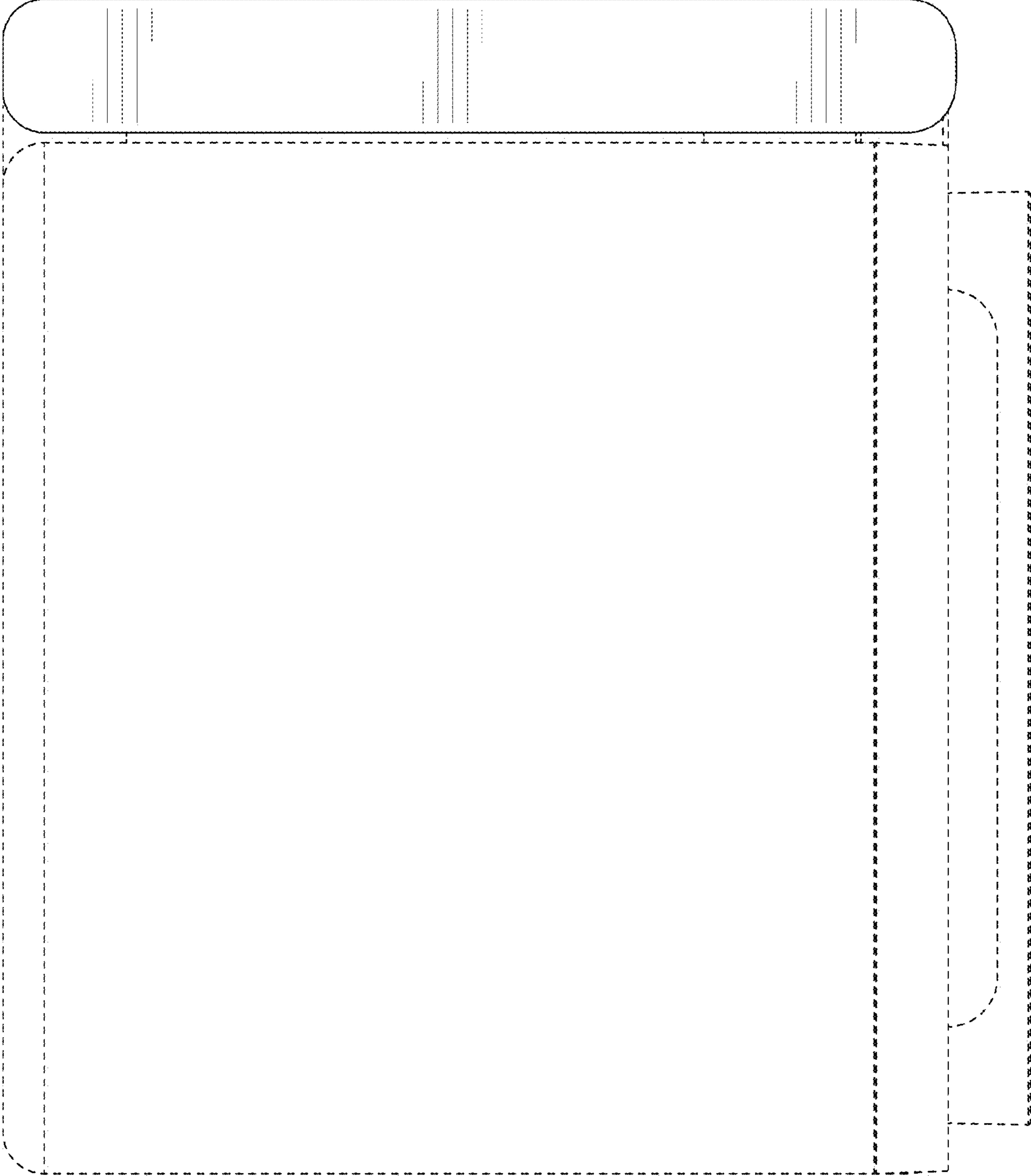


FIG. 4