



US00D934626S

(12) **United States Design Patent** (10) **Patent No.:** **US D934,626 S**
Ellis (45) **Date of Patent:** **** Nov. 2, 2021**

- (54) **COFFEE MAKER BASE**
- (71) Applicant: **National Presto Industries, Inc.**, Eau Claire, WI (US)
- (72) Inventor: **Brent T. Ellis**, Altoona, WI (US)
- (73) Assignee: **National Presto Industries, Inc.**, Eau Claire, WI (US)
- (**) Term: **15 Years**
- (21) Appl. No.: **29/703,620**
- (22) Filed: **Aug. 28, 2019**
- (51) **LOC (13) Cl.** **07-02**
- (52) **U.S. Cl.**
USPC **D7/399**; D7/386
- (58) **Field of Classification Search**
USPC D7/300, 300.1, 301-303, 309-322, 326, D7/373, 376, 378, 386, 396-401, 403, D7/413, 415; D14/242
CPC A47J 31/00; A47J 31/002; A47J 31/005; A47J 31/02; A47J 31/053; A47J 31/06; A47J 31/061; A47J 31/0615; A47J 31/0636; A47J 31/0647; A47J 31/0663; A47J 31/10; A47J 31/18; A47J 31/20; A47J 36/2411; A47J 36/2433
See application file for complete search history.

3,120,170 A 2/1964 Garte
D204,786 S 5/1966 Rawaid
D210,848 S * 4/1968 Robb D7/213
(Continued)

FOREIGN PATENT DOCUMENTS

WO WO 2011/004269 A1 1/2011

OTHER PUBLICATIONS

Design No. 002996785-0001, Feb. 22, 2016—European Union Intellectual Property Office (EUIPO) Publication Date—Aug. 30, 2018 Owner—ErgonixART, Designer—Aurora Caputi DesignView, available at www.tmdn.org/tmdsview-web/welcome (Year: 2018).*
(Continued)

Primary Examiner — Mary Ann Calabrese
Assistant Examiner — Natalya M Rapundalo

(57) **CLAIM**

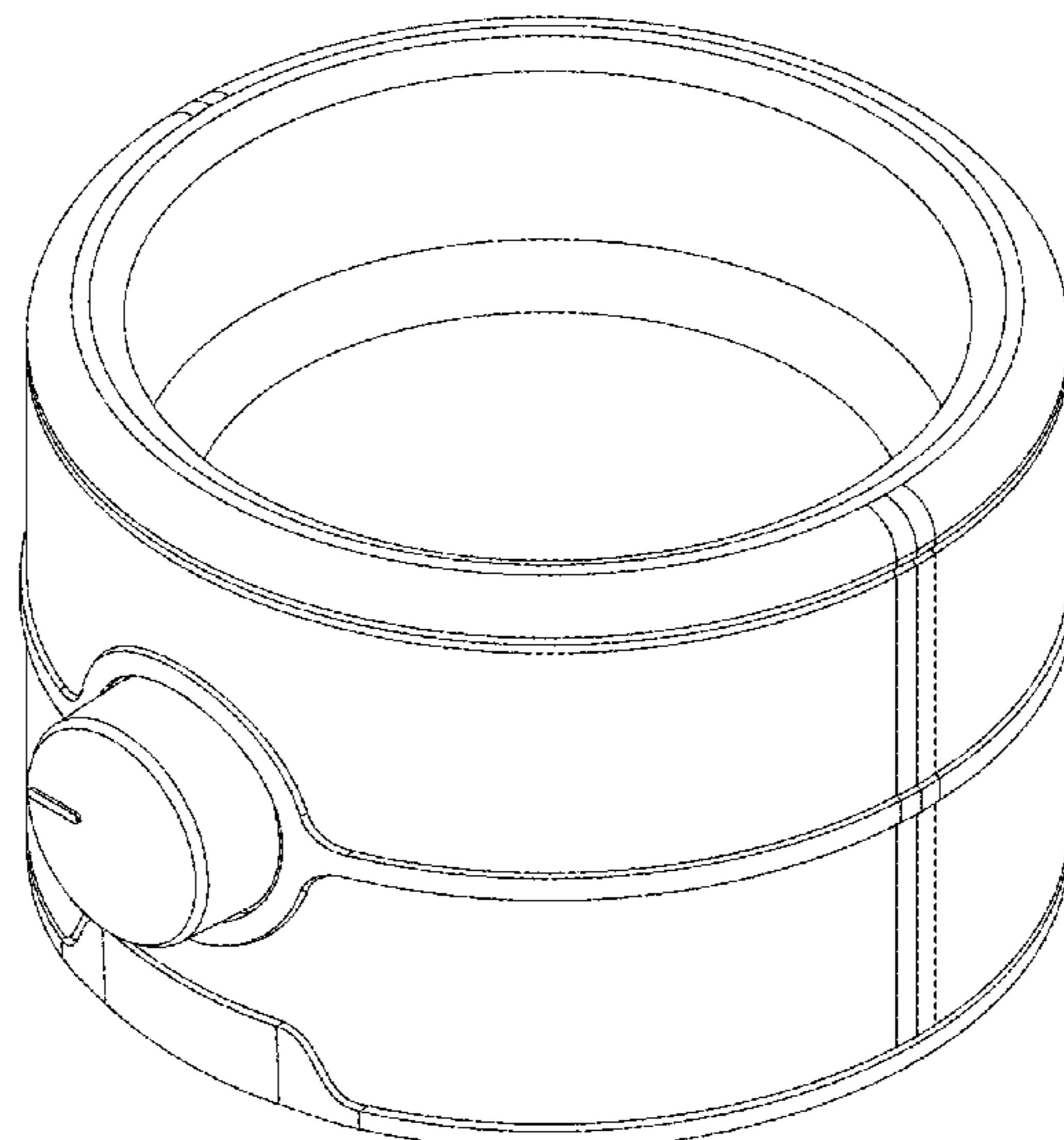
I claim the ornamental design for a coffee maker base, as shown and described.

DESCRIPTION

FIG. 1 is a top, front perspective view of a coffee maker base of the present invention.
FIG. 2 is a front view of the coffee maker base depicted in FIG. 1.
FIG. 3 is a top view of the coffee maker base depicted in FIG. 1.
FIG. 4 is a bottom view of the coffee maker base depicted in FIG. 1.
FIG. 5 is a rear view of the coffee maker base depicted in FIG. 1.
FIG. 6 is a right, side view of the coffee maker base depicted in FIG. 1; and,
FIG. 7 is a left, side view of the coffee maker base depicted in FIG. 1.
The broken lines in the drawings illustrate environment that form no part of the claimed design and portions of the coffee maker base that form no part of the claimed design.

1 Claim, 7 Drawing Sheets

- (56) **References Cited**
U.S. PATENT DOCUMENTS
D43,792 S 4/1913 Swan
D65,078 S 7/1924 Pressley
D91,797 S 3/1934 Barrett
D132,428 S 5/1942 Karstadt
D139,219 S 10/1944 Wolcott
D157,588 S 3/1950 Gunther
2,846,939 A 8/1958 Ponsa
D191,590 S 10/1961 Schlumbohm
D196,807 S 11/1963 Carveth



(56)

References Cited

U.S. PATENT DOCUMENTS

D250,445 S * 12/1978 Braun A47J 31/02
D7/400

4,158,329 A 6/1979 McKnight
4,174,659 A 11/1979 Pugliese et al.
4,211,156 A 7/1980 Zimmermann
4,306,492 A 12/1981 Zimmermann
4,446,158 A 5/1984 English et al.
4,465,697 A 8/1984 Brice et al.
4,520,716 A * 6/1985 Hayes A47J 31/02
99/295

4,577,080 A 3/1986 Grossman
4,756,915 A 7/1988 Dobry
4,759,275 A 7/1988 Lee
4,806,369 A 2/1989 Thompson
D305,197 S * 12/1989 Valdes A47J 31/20
D7/354

5,010,211 A 4/1991 Grossman et al.
D350,454 S * 9/1994 Wong A47J 31/02
D7/310

5,526,733 A 6/1996 Klawuhn et al.
5,551,473 A 9/1996 Lin
5,632,193 A 5/1997 Shen
D398,474 S * 9/1998 Wagner D7/305

5,826,493 A 10/1998 Lin
5,862,739 A 1/1999 Lin
5,880,441 A 3/1999 Hartman et al.
5,887,511 A 3/1999 Cappellotto
5,942,143 A 8/1999 Hartman et al.
5,943,946 A 8/1999 Chen
6,100,504 A * 8/2000 Wagner H05B 3/00
219/432

6,327,965 B1 12/2001 Lin
6,561,080 B1 5/2003 Feeney
6,740,345 B2 5/2004 Cai
6,810,789 B2 11/2004 Chung et al.
6,948,420 B2 9/2005 Kirschner et al.
7,032,507 B2 4/2006 Cai
D557,977 S 12/2007 Neace et al.
7,412,921 B2 8/2008 Hu et al.
D606,805 S 12/2009 Neace et al.
D611,754 S 3/2010 Bodum
7,673,555 B2 3/2010 Nosier et al.
D630,467 S * 1/2011 Harrod D7/376

8,316,944 B2 11/2012 Pringle
D783,609 S * 4/2017 Mikelson D14/356

D847,557 S * 5/2019 Kraemer A47J 31/06
D7/373

D898,787 S * 10/2020 Fornander D15/147

D905,496 S * 12/2020 Pamplin D7/378

D910,361 S * 2/2021 You D7/310

D912,032 S * 3/2021 He D14/242

2006/0169150 A1 8/2006 Voss et al.
2006/0174769 A1 8/2006 Favre et al.
2009/0199721 A1 8/2009 Hausslein
2009/0269229 A1 10/2009 Yeo

2011/0215085 A1 9/2011 Garvey et al.
2012/0260806 A1 10/2012 Rolfes et al.
2012/0312173 A1 12/2012 Geissler et al.
2014/0072684 A1 3/2014 Madden
2019/0150659 A1 * 5/2019 Chung A47J 31/06
2020/0113369 A1 * 4/2020 Bardot A47J 31/20
2020/0148985 A1 * 5/2020 Probst C12G 3/06
2021/0059463 A1 * 3/2021 Ellis A47J 31/02
2021/0137306 A1 * 5/2021 Rivera A47J 31/468

OTHER PUBLICATIONS

Kalorick Bartista French Press Coffee Maker Milk Frother, first available Mar. 24, 2020, Amazon, [online], [site visited May 18, 2021], Available from internet URL: <https://www.amazon.com/Kalorick-Bartista-Frother-Multi-Use-Stainless/dp/B086BZJ127> (Year: 2020).*

Presto 02937 Dorothy Electric Rapid Cold Brewer, first available May 5, 2020, Amazon, [online], [site visited Apr. 22, 2021], Available from internet URL: <https://www.amazon.com/Kalorick-Bartista-Frother-Multi-Use-Stainless/dp/B086BZJ127> (Year: 2020).*

Design No. D203684-002, Jan. 11, 2019—Korean Intellectual Property Office (KIPO) Publication Date—Jul. 17, 2020 Owner—LG Electronics Inc., Designer—Hyunsun Yoo, et al. WIPO, available at <https://www3.wipo.int/designdb/en/index.jsp> (Year: 2020).*

Design No. 306178366, Nov. 17, 2020—China National Intellectual Property Administration (CNIPA) Publication Date—Jul. 17, 2020 Owner—LG Electronics Inc., Designer—Hyunsun Yoo, et al. WIPO, available at <https://www3.wipo.int/designdb/en/index.jsp> (Year: 2020).*

Design No. 306219911, Dec. 8, 2020—China National Intellectual Property Administration (CNIPA) Publication Date—Dec. 8, 2020 Owner—National Presto Industries Inc., Designer- Brent t T Ellis WIPO, available at <https://www3.wipo.int/designdb/en/index.jsp> (Year: 2020).*

Design No. 007715602-0001, Feb. 27, 2020—European Union Intellectual Property Office (EUIPO) Publication Date—May 4, 2020 Owner—National Presto Industries, Inc., Designer—Brent T. Ellis DesignView, available at www.tmdn.org/tmdsview-web/welcome (Year: 2020).*

BEABA Quick Baby Bottle Warmer, Amazon, [online], [site visited May 19, 2021], Available from internet URL: <https://www.amazon.com/Bottle-Sterilizer-Minutes-Temperature-Control/dp/B07775D4TW> (Year: 2021).*

Dorothy Rapid Cold Brewer, Go Presto , [online], [site visited Apr. 22, 2021], Available from internet URL: <https://www.gopresto.com/product/dorothy-rapid-cold-brewer-02937> (Year: 2021).*

“How the Clover Coffee Maker Works,” <http://electronics.howstuffworks.com/gadgets/kitchen/clover-coffee-maker.htm> printable, printed Mar. 15, 20210, 8 pages.

Application and File History for U.S. Appl. No. 13/158,673, filed Jun. 13, 2011. Inventors: Geissler et al.

Application and File History for U.S. Appl. No. 13/711,245, filed Dec. 11, 2012. Inventors: Geissler et al.

* cited by examiner

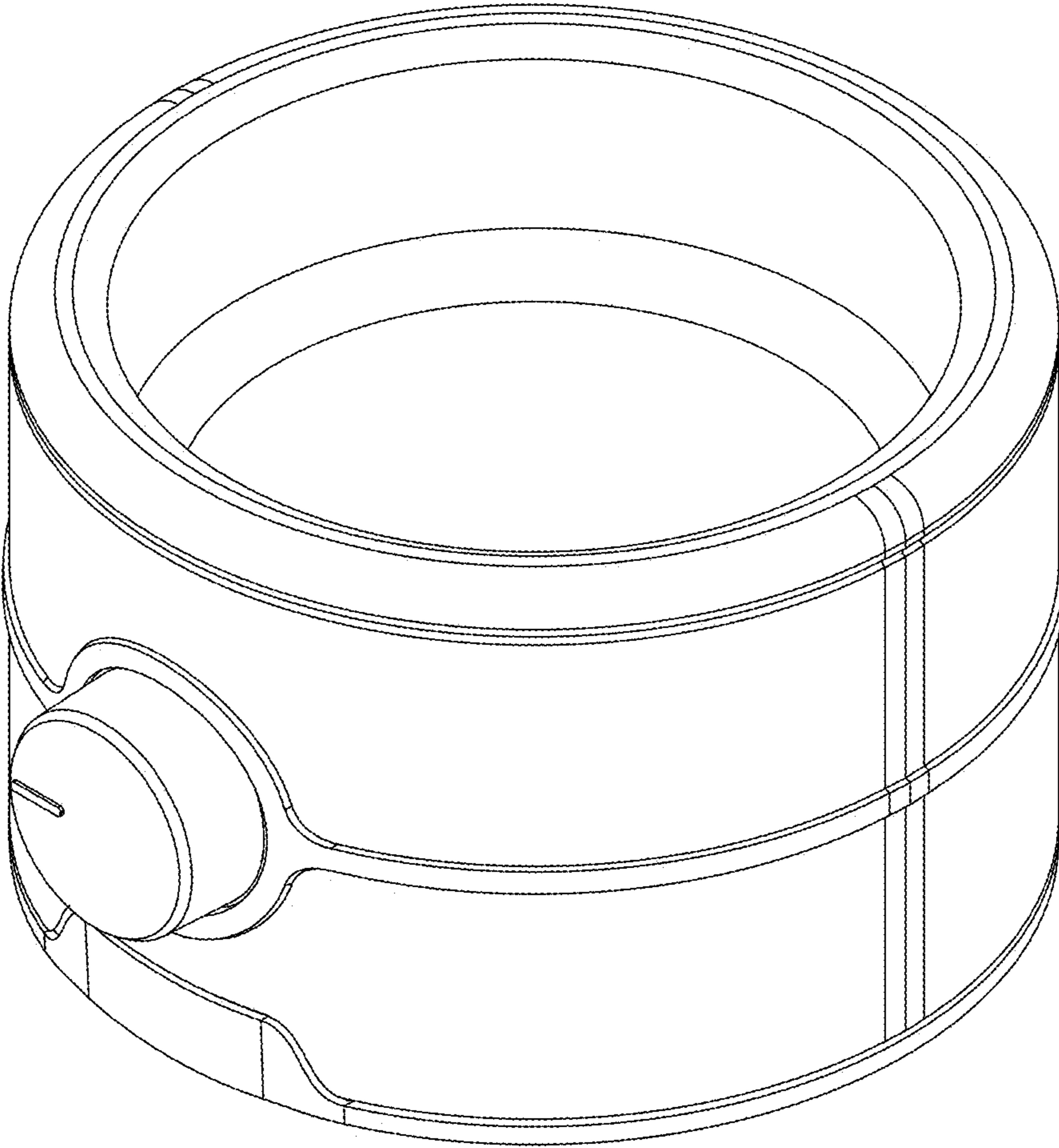


FIG. 1

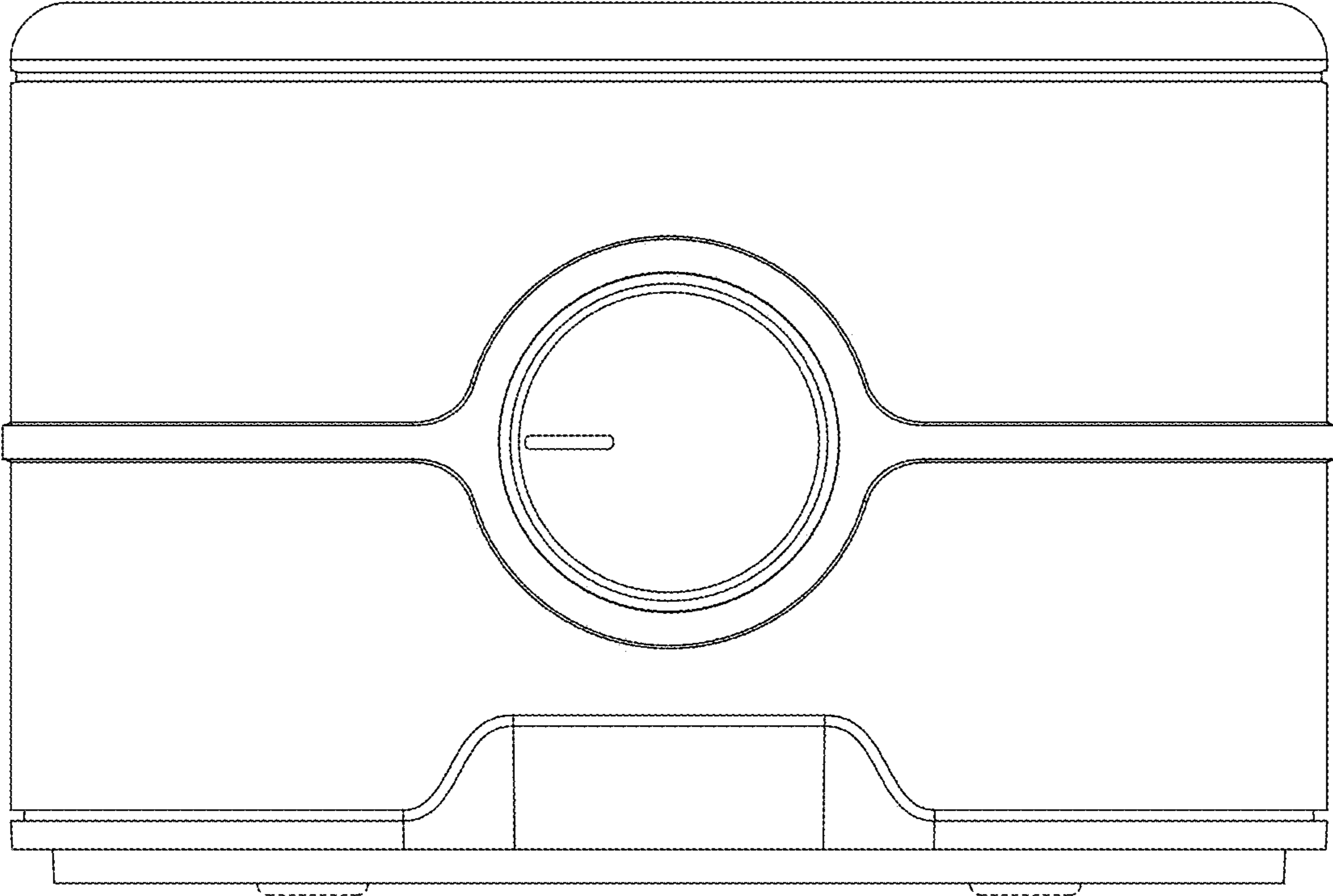


FIG. 2

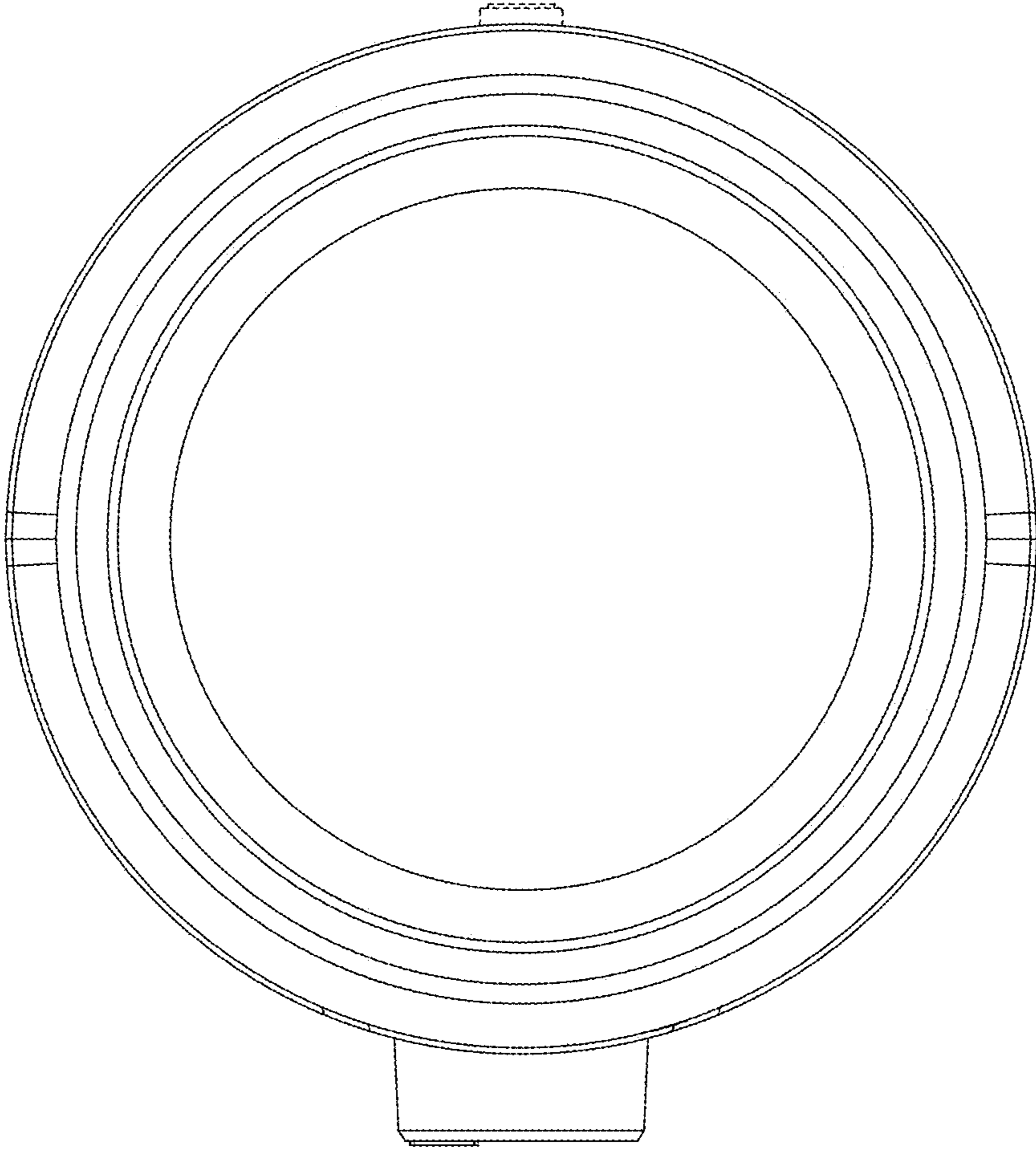


FIG. 3

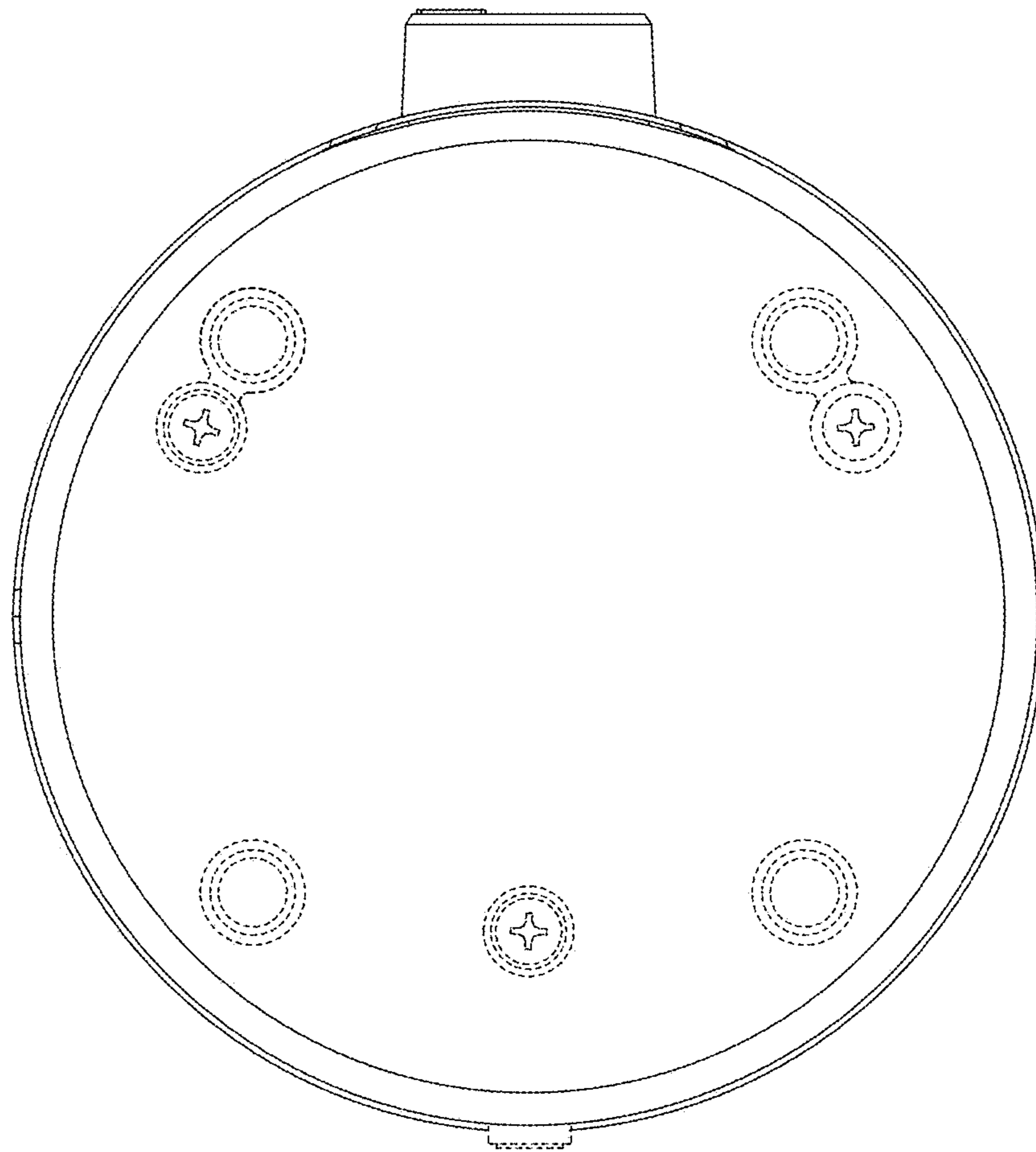


FIG. 4

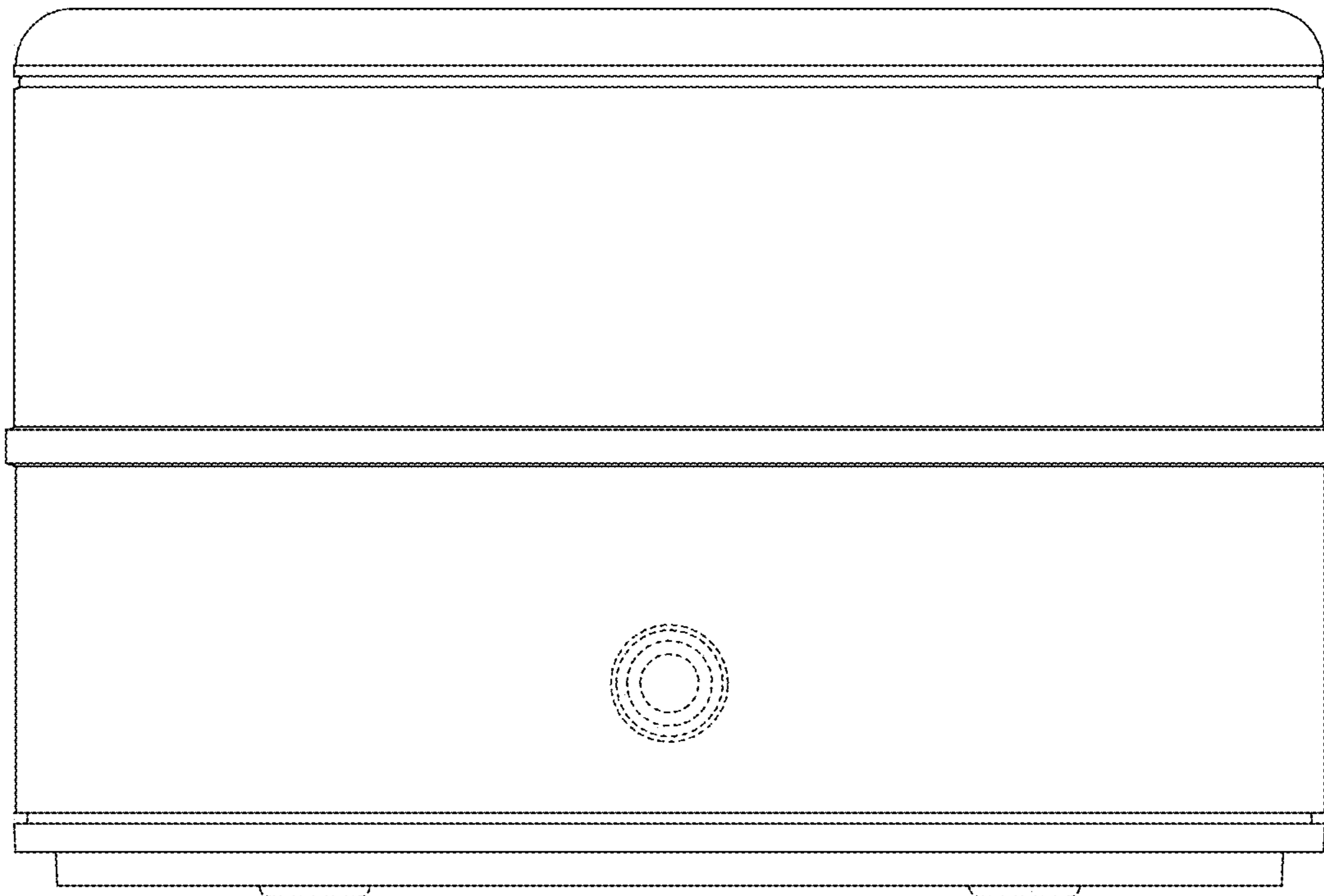


FIG. 5

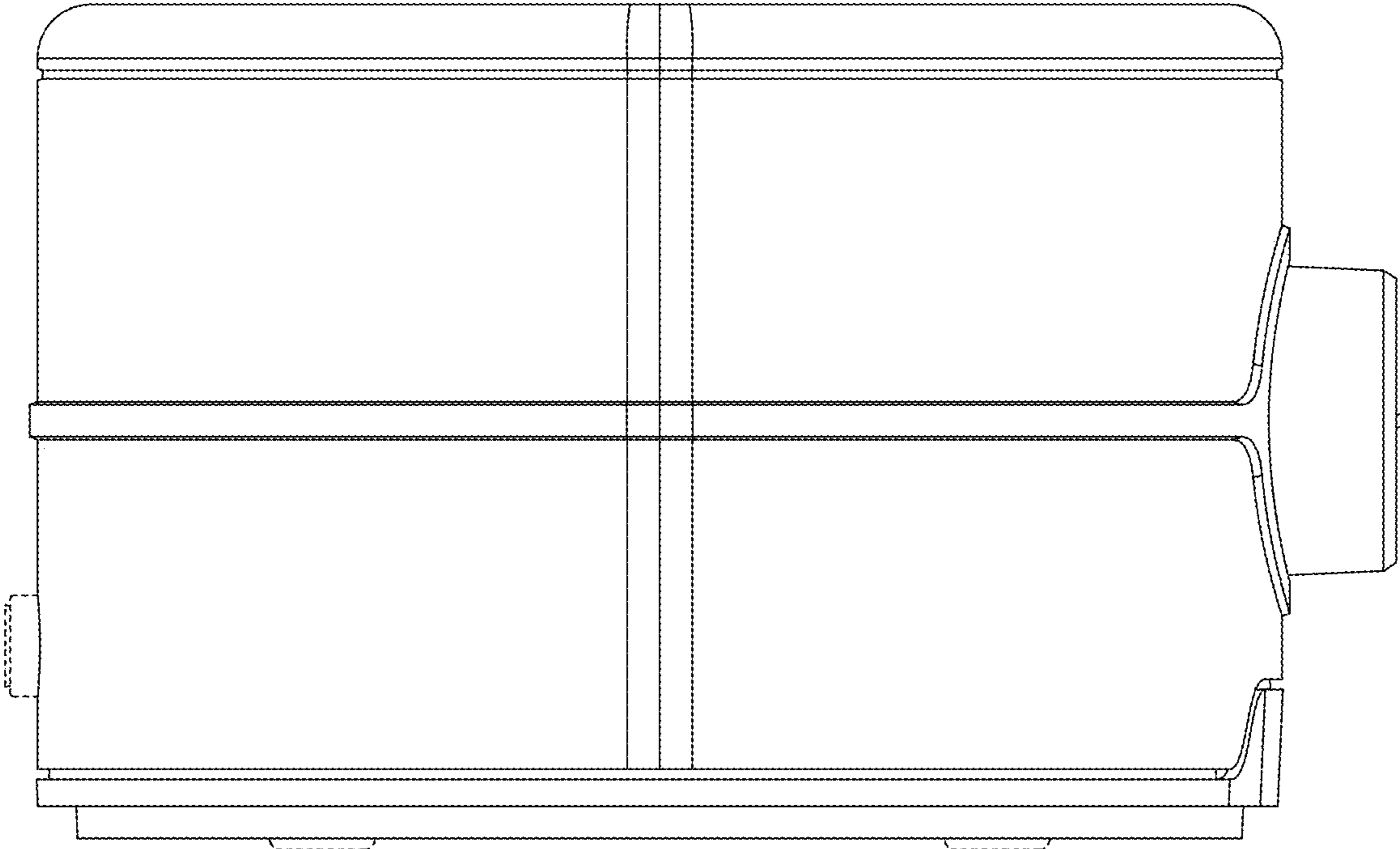


FIG. 6

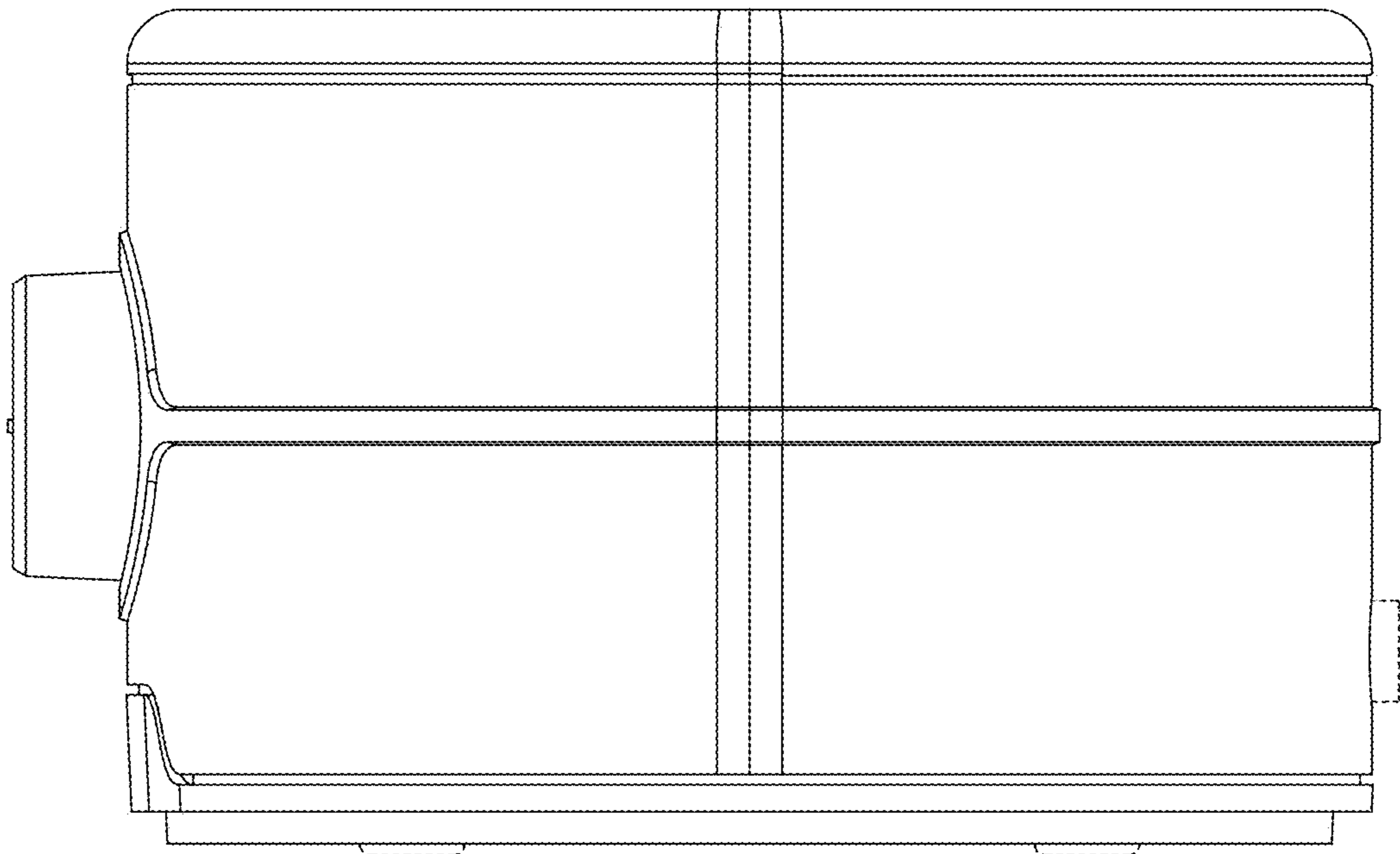


FIG. 7