



US00D934625S

(12) **United States Design Patent** (10) **Patent No.:** **US D934,625 S**
Rajasekaran (45) **Date of Patent:** **** Nov. 2, 2021**

(54) **COOKWARE HANDLE**
(71) Applicant: **E. MISHAN & SONS, INC.**, New York, NY (US)
(72) Inventor: **Mohan Rajasekaran**, Watertown, CT (US)

D704,505 S * 5/2014 Clabots D7/395
D705,003 S 5/2014 Rae
D711,685 S * 8/2014 Delassus D7/395
D714,585 S 8/2014 Genatossio
D730,113 S 5/2015 Barberi
D730,114 S 5/2015 Barberi

(Continued)

(73) Assignee: **E. Mishan & Sons, Inc.**, New York, NY (US)

FOREIGN PATENT DOCUMENTS

EM 000772454-0001 8/2007
EM 000938550-0003 5/2008

(Continued)

(**) Term: **15 Years**

Primary Examiner — Cynthia M. Chin

(21) Appl. No.: **29/764,870**

(74) Attorney, Agent, or Firm — Notaro, Michalos & Zaccaria P.C.

(22) Filed: **Jan. 4, 2021**

(51) **LOC (13) Cl.** **07-02**

(52) **U.S. Cl.**

USPC **D7/395**

(58) **Field of Classification Search**

USPC D7/354–361, 393–395, 664, 401.2, 402

CPC A47J 45/06; A47J 45/061; A47J 45/062;

A47J 45/071; A47J 45/072; A47J 45/08;

A47J 45/085

See application file for complete search history.

(56) **References Cited**

U.S. PATENT DOCUMENTS

D426,107 S 6/2000 Cheng
D429,950 S 8/2000 Yu
D444,347 S 6/2001 LoGiudice
D445,642 S 7/2001 Rae
D477,966 S 8/2003 Burton
D477,967 S 8/2003 Burton
D575,982 S 9/2008 Rae
D580,703 S 11/2008 Devries
D596,898 S 7/2009 Tetreault
D618,052 S 6/2010 Rae
D638,258 S 5/2011 Henry
D644,486 S * 9/2011 Groll D7/395
D682,022 S 5/2013 Rae
D693,627 S 11/2013 Moon

(57) **CLAIM**

The ornamental design for a cookware handle, as shown and described.

DESCRIPTION

FIG. 1 is a top, front perspective view of a cookware handle showing my design;

FIG. 2 is a front elevational view thereof;

FIG. 3 is a rear elevational view thereof;

FIG. 4 is a left side elevational view thereof;

FIG. 5 is a right side elevational view thereof;

FIG. 6 is a top plan view thereof;

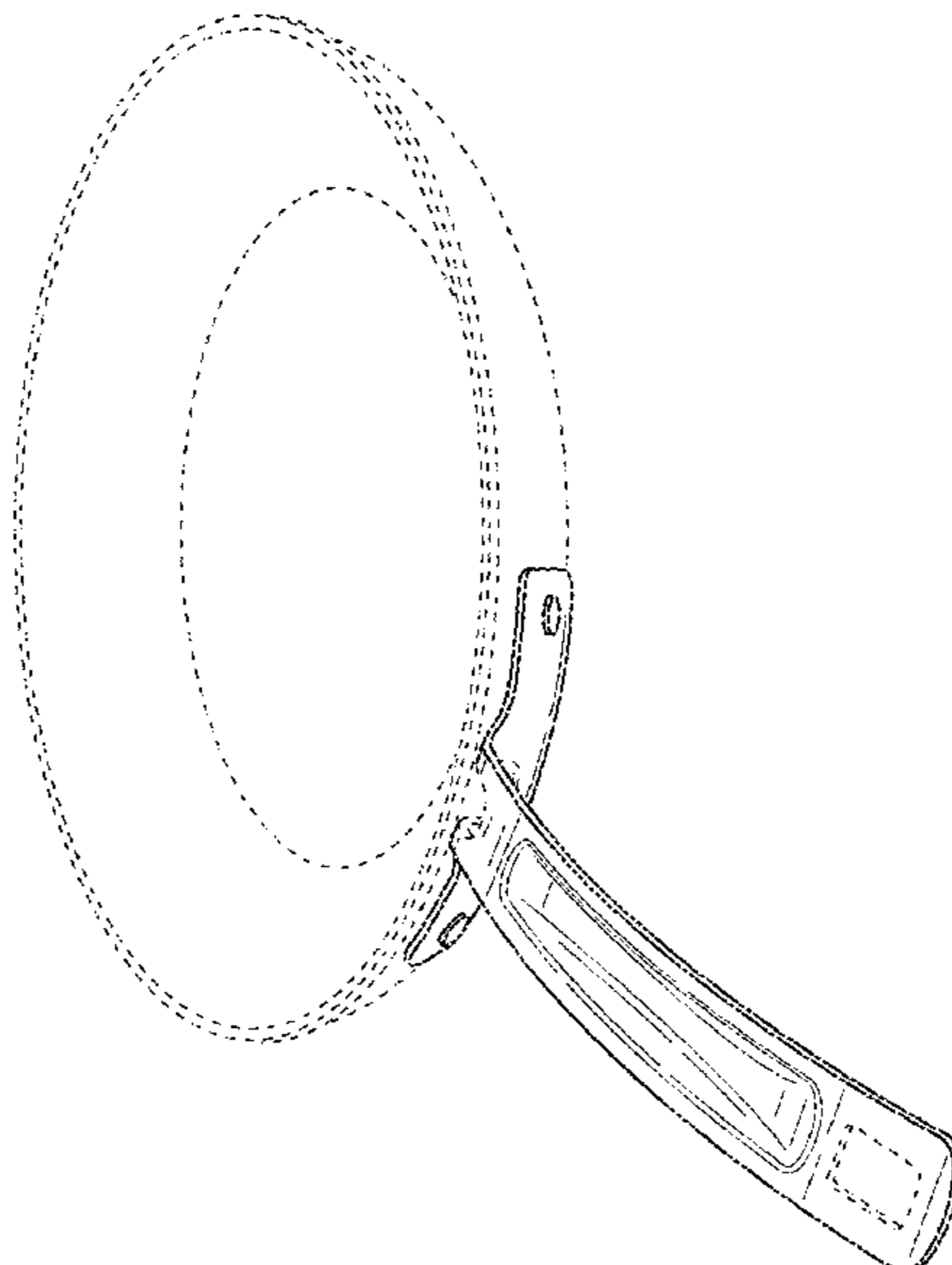
FIG. 7 is a bottom plan view thereof;

FIG. 8 is an enlarged cross-sectional view thereof, taken in the direction of line 8-8 in FIG. 5; and,

FIG. 9 is an enlarged cross-sectional view taken at line 8-8 in FIG. 5 for clarity.

Throughout the drawings, the broken lines immediately adjacent the shaded areas represent the bounds of the claim and all other broken lines represent the environment in which the article resides. None of the broken lines form a part of the claim.

1 Claim, 9 Drawing Sheets



(56)

References Cited

U.S. PATENT DOCUMENTS

D740,604	S *	10/2015	Barberi	D7/395
D763,618	S *	8/2016	Feng	D7/361
D783,338	S	4/2017	Mirchandani	
D790,271	S *	6/2017	Ryan	D7/395
9,833,101	B2	12/2017	Moon	
D813,595	S *	3/2018	Narvaez Lopez	D7/395
D824,211	S *	7/2018	Kastner	D7/395
D877,562	S *	3/2020	Gabbay	D7/395
D889,905	S *	7/2020	Barberi	D7/395
10,849,464	B2 *	12/2020	Mishan	A47J 45/085
D907,434	S *	1/2021	Rajasekaran	D7/395
D919,361	S *	5/2021	Hinds	D7/395
2013/0037553	A1 *	2/2013	Bourbeau	A47J 45/061 220/573.1
2015/0114973	A1 *	4/2015	Mashburn	A47J 45/061 220/573.1
2017/0036340	A1 *	2/2017	Ryan	B25G 3/36
2017/0197755	A1 *	7/2017	LePinske	A47J 45/06
2017/0231416	A1 *	8/2017	Barberi	A47J 45/061 220/573.1
2018/0125298	A1 *	5/2018	Workman	A47J 45/062
2020/0000287	A1 *	1/2020	Lam	A47J 45/061
2020/0138243	A1 *	5/2020	Mishan	A47J 45/085

FOREIGN PATENT DOCUMENTS

EM	001658360-0001	1/2010
EM	001784901-0002	11/2010
EM	002166033-0001	1/2013
EM	002476127-0001	6/2014
EM	002753467-0023	8/2015

* cited by examiner

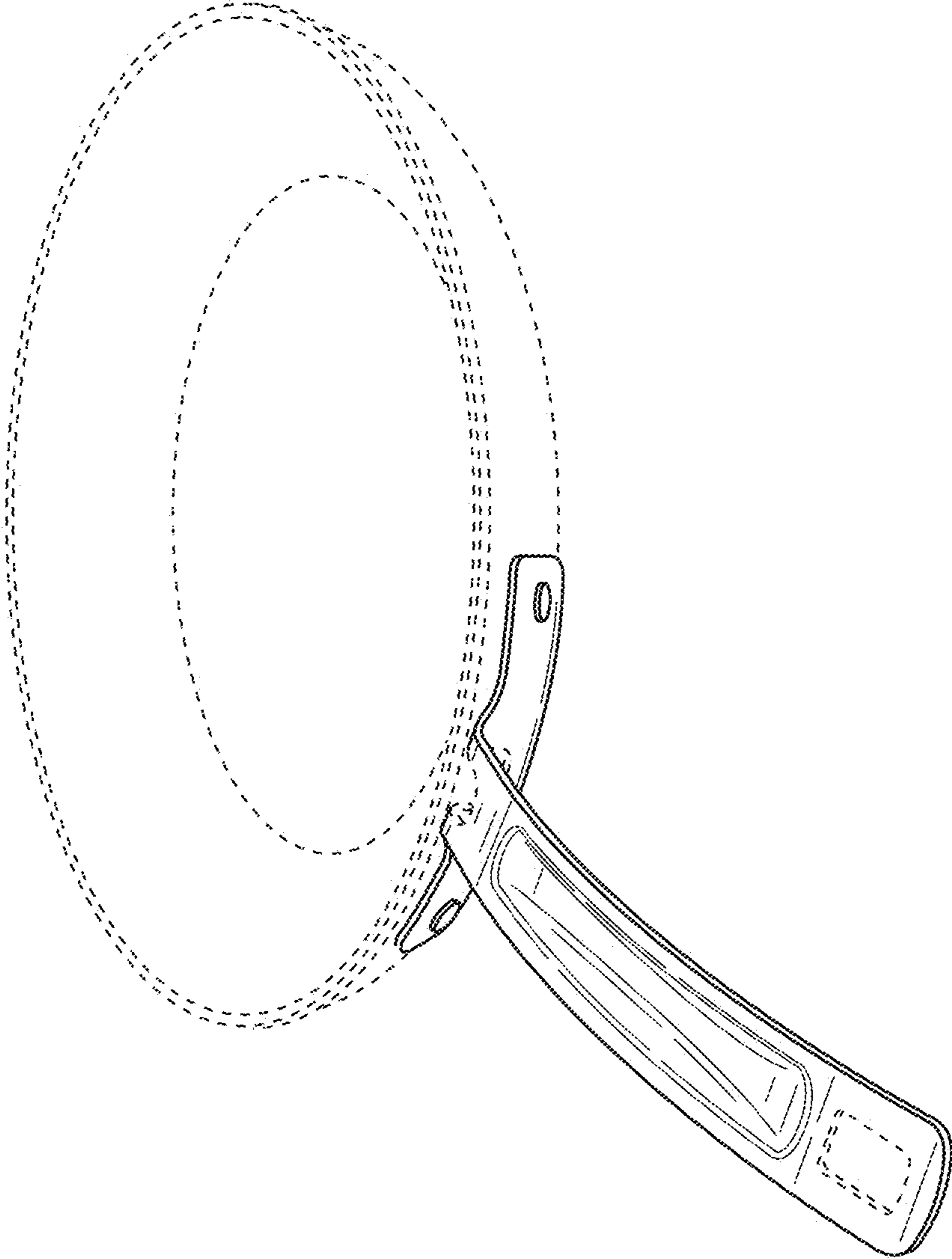


FIG. 1

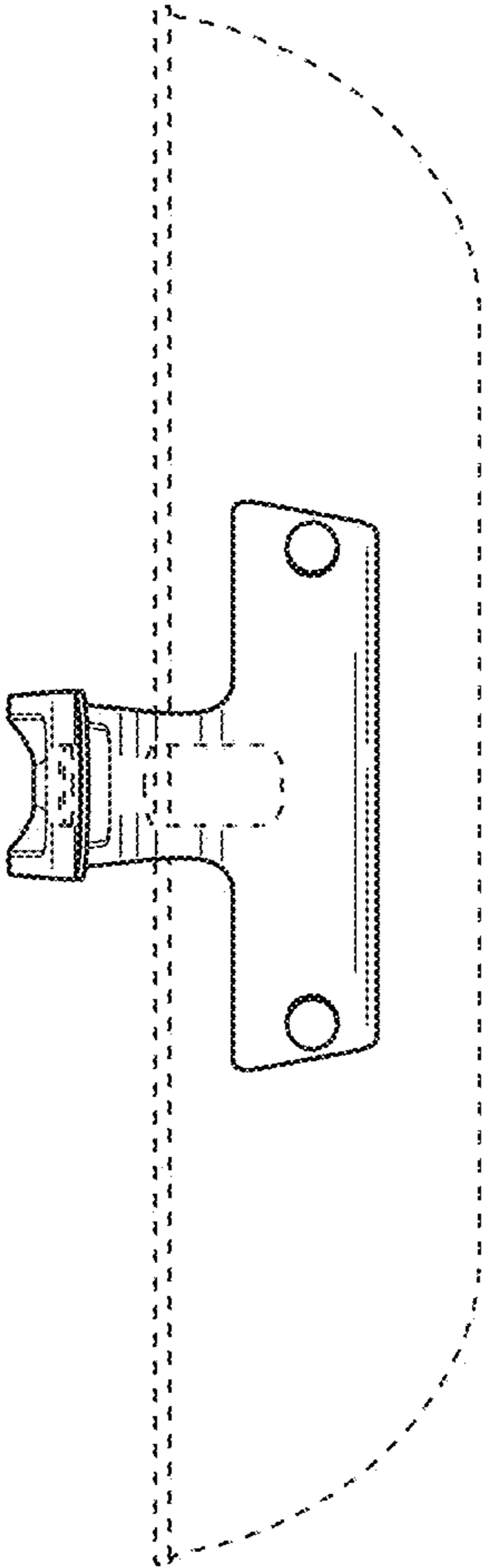


FIG. 2

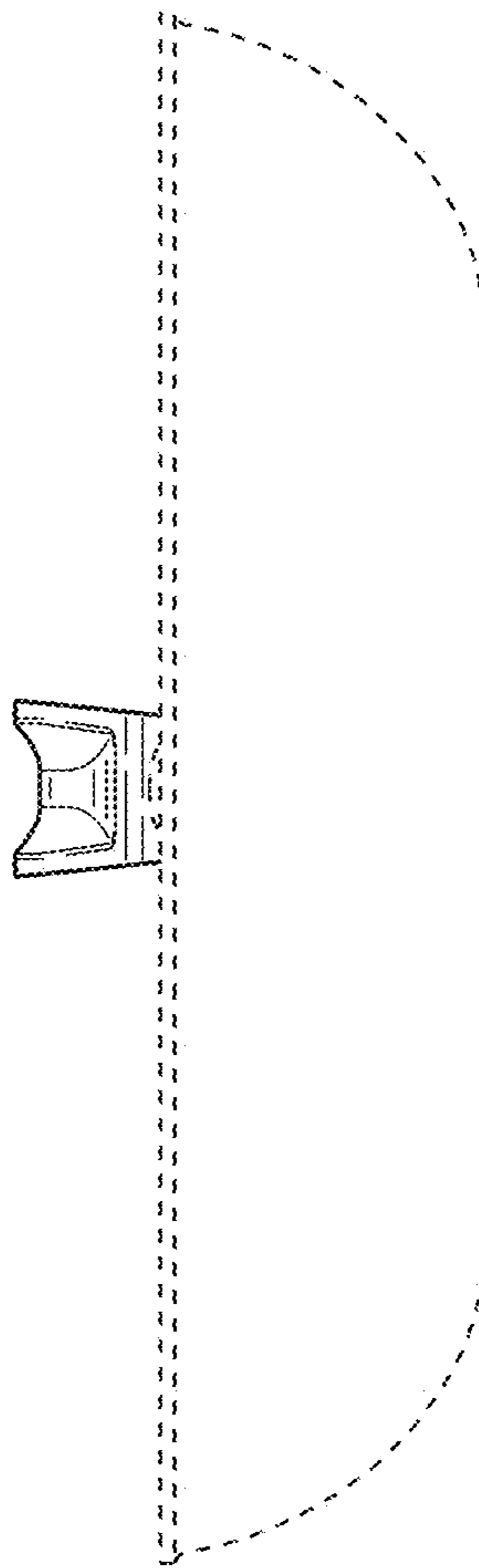


FIG. 3

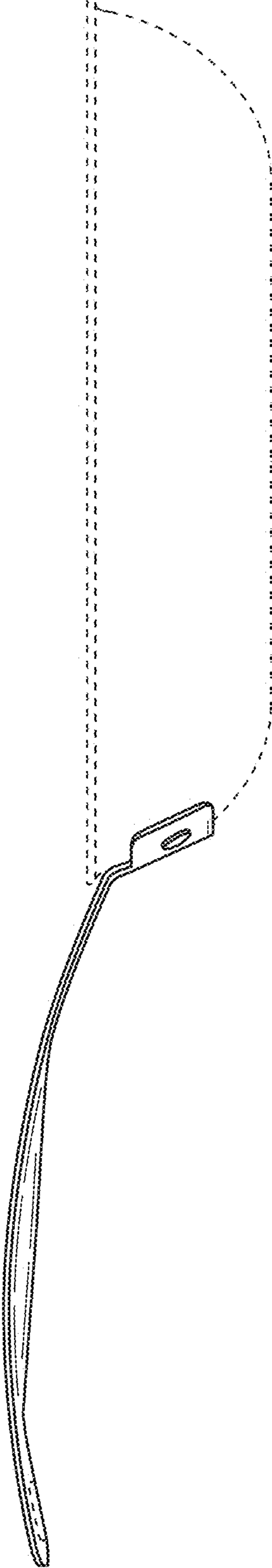


FIG. 4

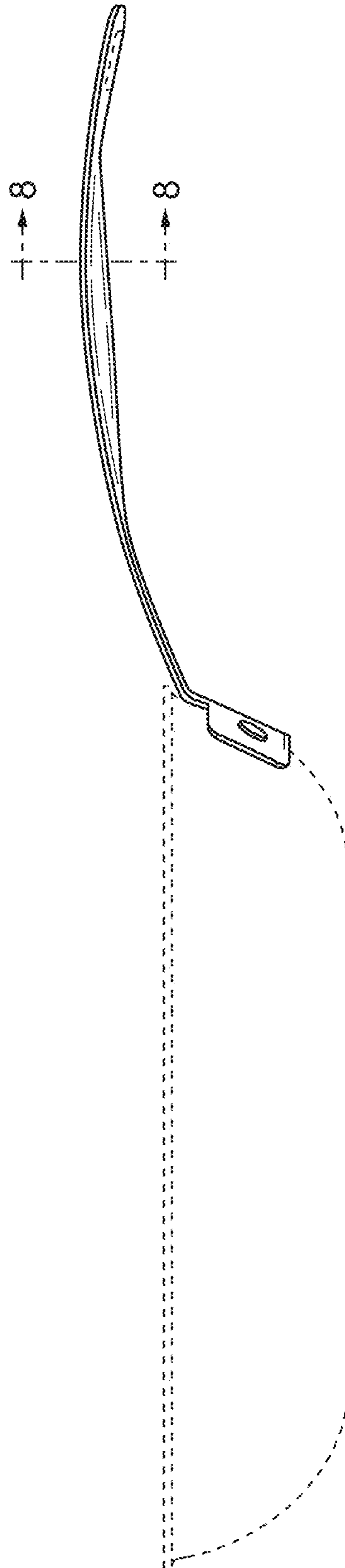


FIG. 5

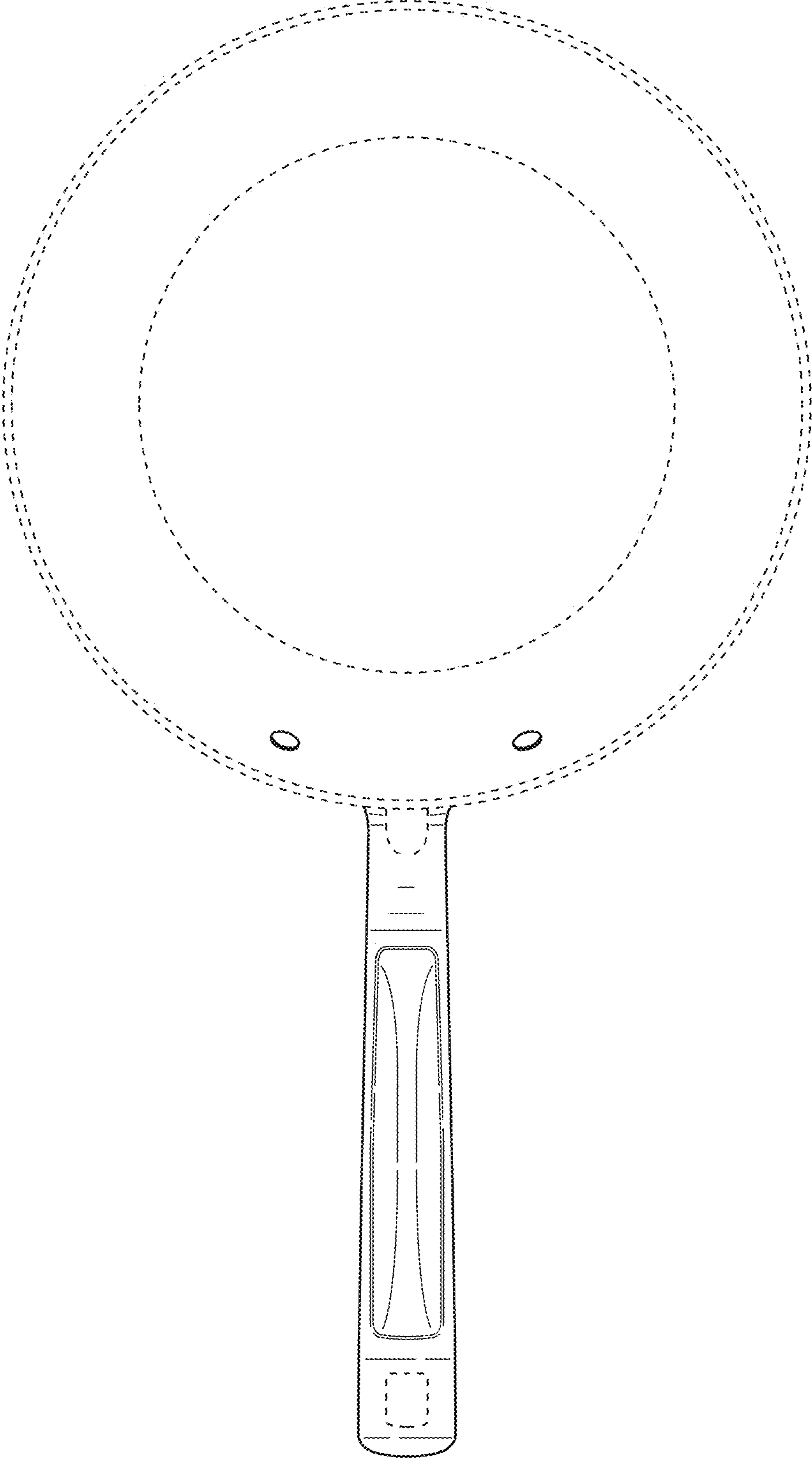


FIG. 6

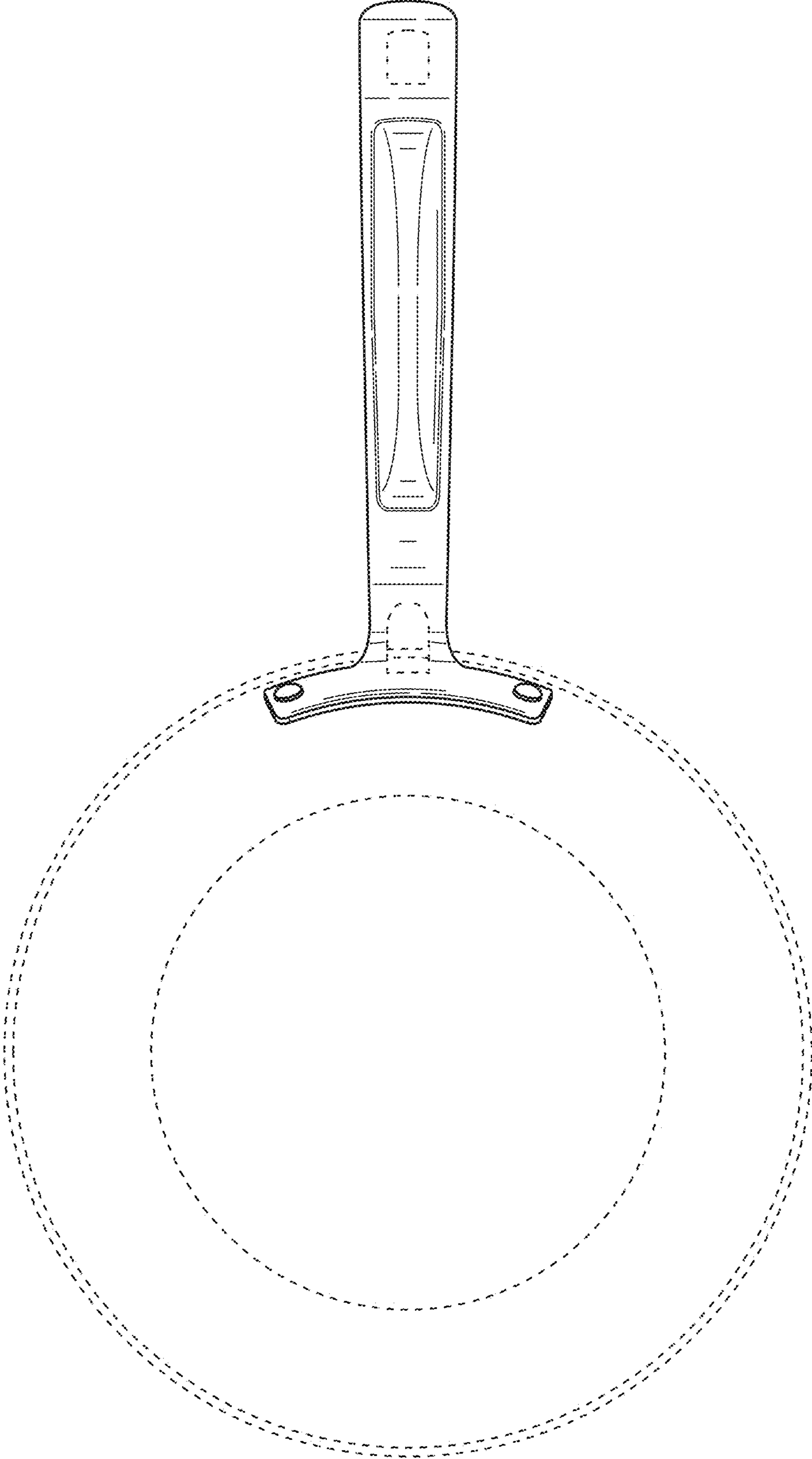


FIG. 7

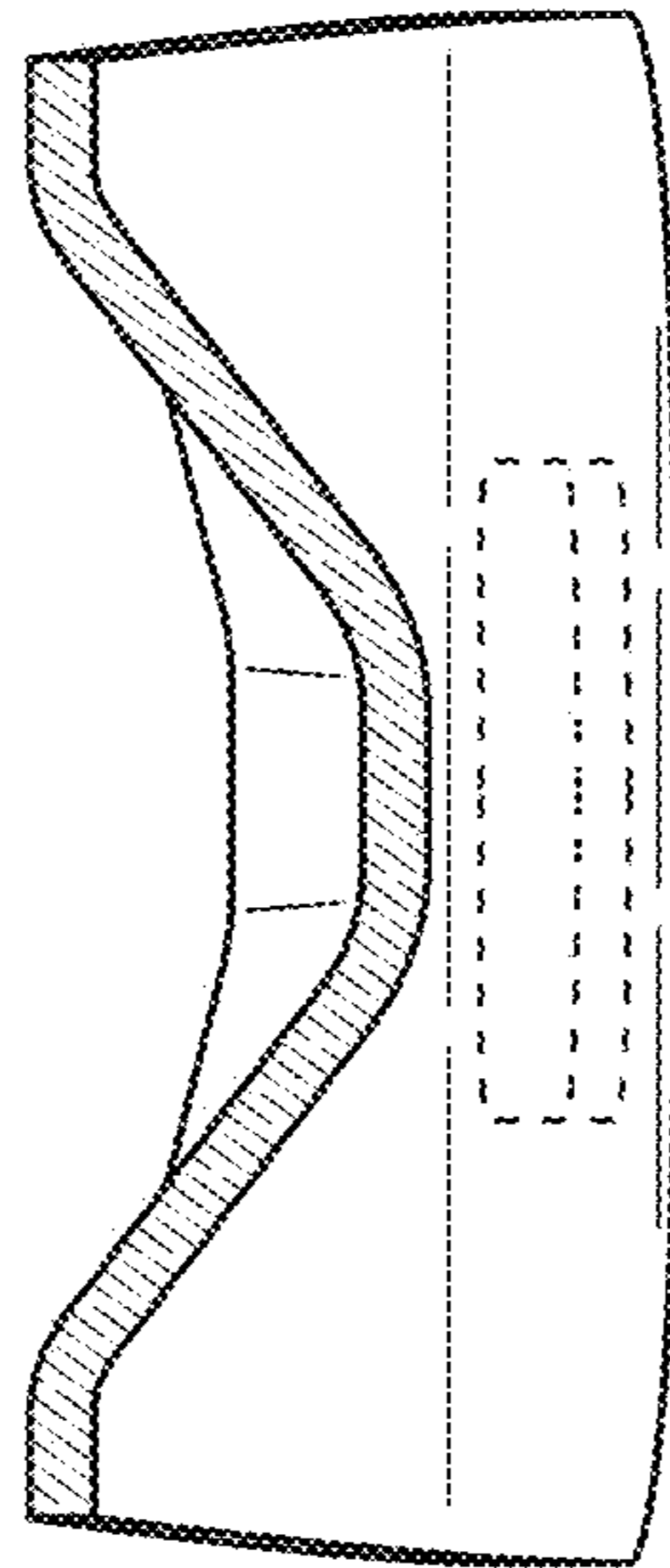


FIG. 8

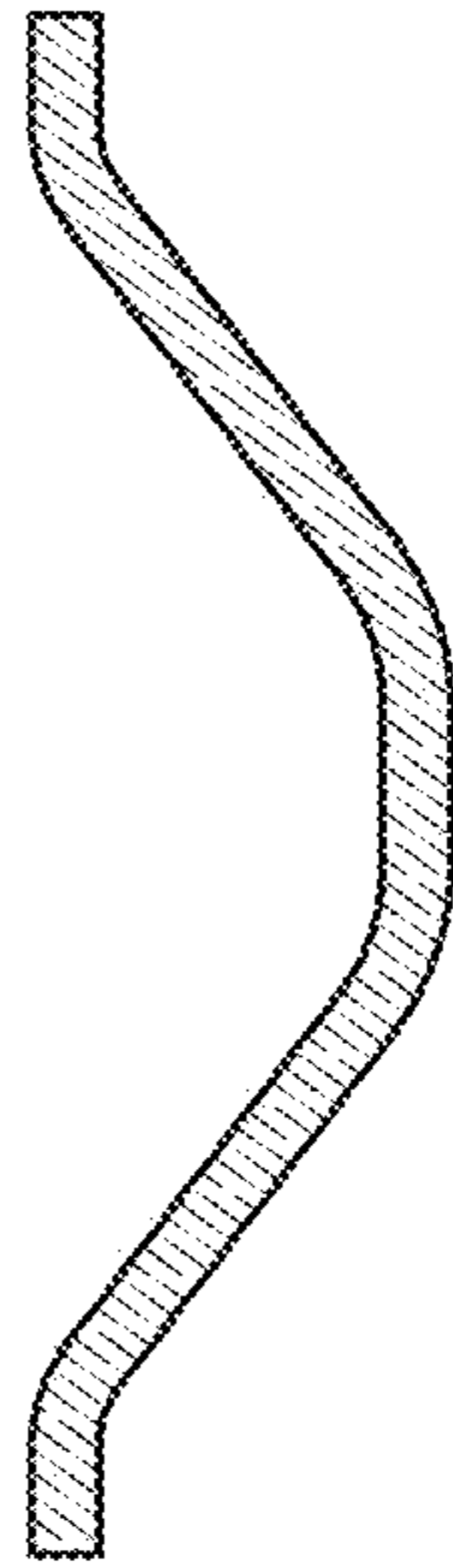


FIG. 9