



US00D934624S

(12) **United States Design Patent**
Backs

(10) **Patent No.:** **US D934,624 S**
(45) **Date of Patent:** **** Nov. 2, 2021**

(54) **CONTAINER CAP**

(71) Applicant: **CAMELBAK PRODUCTS, LLC**,
Petaluma, CA (US)

(72) Inventor: **Jochen Backs**, Mill Valley, CA (US)

(73) Assignee: **CAMELBAK PRODUCTS, LLC**,
Petaluma, CA (US)

(**) Term: **15 Years**

(21) Appl. No.: **29/785,937**

(22) Filed: **May 27, 2021**

Related U.S. Application Data

(63) Continuation of application No. 29/688,621, filed on
Apr. 23, 2019, now Pat. No. Des. 923,409.

(51) **LOC (13) Cl.** **07-99**

(52) **U.S. Cl.**
USPC **D7/392.1**

(58) **Field of Classification Search**

USPC D7/323, 354-363, 391-396.2, 402, 409,
D7/587, 601, 602, 619.1, 624.1, 624.2,
D7/509, 523, 528, 529, 537, 553.6, 554.1,
D7/566, 600.1, 300, 300.1, 305, 392.1,
D7/396.1, 397, 398, 387; D24/121, 127,
D24/199, 281; D9/434, 435, 441, 442,
D9/444, 445, 452, 453, 454, 455, 431,
D9/447, 651; D28/79, 81, 85, 87
CPC B65D 2543/00046; B65D 2543/00092;
B65D 2543/00555; B65D 47/08; B65D
47/32; B65D 41/16; B65D 41/02; B65D

(Continued)

(56) **References Cited**

U.S. PATENT DOCUMENTS

D235,303 S * 6/1975 Boucher D7/672
D519,380 S 4/2006 Leoncavallo et al.

(Continued)

OTHER PUBLICATIONS

CamelBak Carry Cap: Announced Sep. 11, 2019 [online]. Site
Visited [Jun. 18, 2021], Available from Internet URL: <https://www.amazon.com/CamelBak-Carry-Cap-Bottle-Insulated/dp/B07XR5K7GC>.*

(Continued)

Primary Examiner — Catherine S Posthauer

(74) *Attorney, Agent, or Firm* — Amardeep S. Grewal;
Gerard M. Donovan; Reed Smith LLP

(57) **CLAIM**

The ornamental design for a container cap, as shown and
described.

DESCRIPTION

FIG. 1 is a rear isometric view of a container cap showing
the design.

FIG. 2 is a front isometric view of the container cap of FIG.
1.

FIG. 3 is a rear elevation view of the container cap of FIG.
1.

FIG. 4 is a front elevation view of the container cap of FIG.
1.

FIG. 5 is a left side elevation view of the container cap of
FIG. 1.

FIG. 6 is a right side elevation view of the container cap of
FIG. 1.

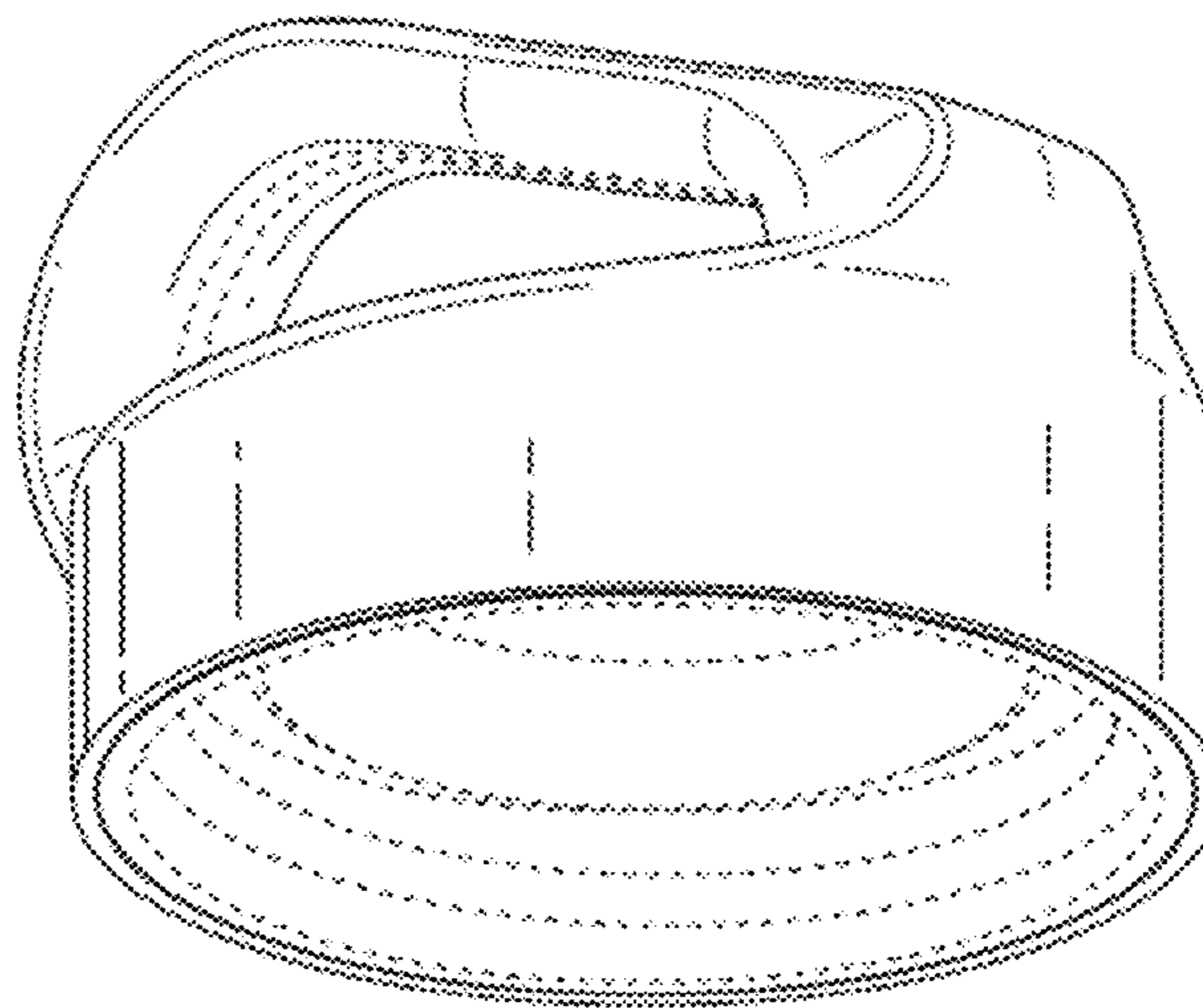
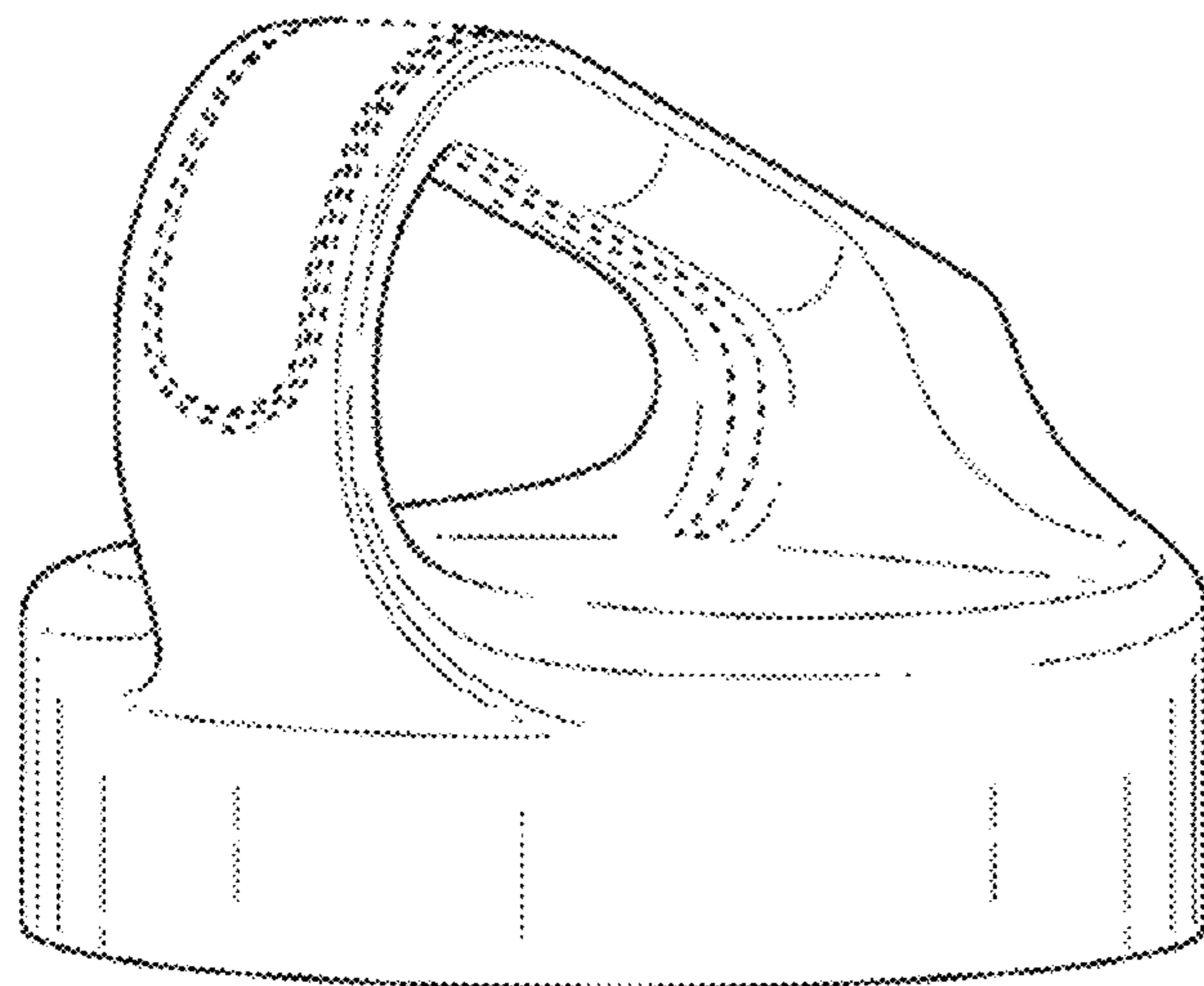
FIG. 7 is a top plan view of the container cap of FIG. 1.

FIG. 8 is a bottom plan view of the container cap of FIG. 1;
and,

FIG. 9 is a bottom isometric view of the container cap of
FIG. 1.

The dashed lines shown in the drawings illustrate portions of
the container cap that are not claimed and thus form no part
of the claimed design. The shading lines shown in the
drawings represent the three-dimensional contour of the
claimed design and are not intended to indicate surface
decoration.

1 Claim, 5 Drawing Sheets



(58) **Field of Classification Search**

CPC 41/18; B65D 43/0212; B65D 43/20; B65D 2251/009; B65D 2251/0028; B65D 2251/0081; B65D 21/0223; B65D 21/02; B65D 21/265; B65D 2215/00; B65D 2215/02; B65D 50/00; B65D 50/041; B65D 50/04; B65D 23/001; A47J 36/10; A47J 36/14; A47J 36/06; A47G 19/222; A47G 19/226; A47G 19/2272; A47G 19/2294; A47G 19/2205

See application file for complete search history.

(56) **References Cited**

U.S. PATENT DOCUMENTS

D528,921 S	9/2006	Leoncavallo et al.	
D608,195 S	1/2010	Germann	
D626,416 S	11/2010	Cresswell et al.	
D627,602 S	11/2010	Eyal	
D628,486 S	12/2010	Lane	
D635,457 S	4/2011	Lane	
D652,255 S	1/2012	Carland	
8,297,462 B1	10/2012	Joyce	
D688,093 S	8/2013	Roth et al.	
D767,337 S	9/2016	Boroski et al.	
D788,544 S	6/2017	Seiders et al.	
D791,550 S	7/2017	Marret	
D794,397 S	8/2017	Seiders et al.	
D795,009 S	8/2017	Alprin et al.	
D795,013 S	8/2017	Shultz et al.	
D796,261 S	9/2017	Khalifa et al.	
D801,173 S	10/2017	Lown et al.	
D805,852 S	12/2017	Seiders et al.	
D808,213 S	1/2018	Lown et al.	
D809,344 S	2/2018	Guthrie	
D816,398 S	5/2018	Fleischhut	
D816,400 S	5/2018	Beckman	
D816,493 S *	5/2018	Seiders	D9/443
D819,396 S	6/2018	Seiders et al.	
D830,771 S	10/2018	Lin	
D831,436 S	10/2018	Siders et al.	
D839,675 S	2/2019	Beckman	
D840,187 S	2/2019	Sams et al.	
D841,391 S	2/2019	Pape	
D844,376 S *	4/2019	Rosette	D7/392
D850,849 S	6/2019	Ke	
D855,389 S	8/2019	Waggoner et al.	
D856,748 S	8/2019	Rane et al.	
D856,757 S	8/2019	Seiders et al.	
D860,715 S	9/2019	Bohman et al.	
D869,229 S *	12/2019	Hao	D7/392.1
D870,508 S	12/2019	Palkon	
D874,216 S	2/2020	Henel	
D875,466 S	2/2020	Diener et al.	
D879,556 S	3/2020	Sibbert	
D885,839 S	6/2020	Egorov et al.	
D889,209 S	7/2020	Campbell et al.	

D893,938 S *	8/2020	Kander	D7/392.1
D908,423 S *	1/2021	Xia	D7/392.1
D921,424 S *	6/2021	Chen	D7/392.1
2004/0217139 A1	11/2004	Roth et al.	
2008/0078787 A1	4/2008	Yelland	
2017/0119212 A1	5/2017	Petrillo et al.	
2018/0009576 A1	1/2018	Sullivan et al.	

OTHER PUBLICATIONS

Lakens Screw Cap: Announced May 18, 2013 [online]. Site Visited [Jun. 18, 2021]. Available from Internet URL: <https://www.amazon.com/Laken-Screw-Thermo-Classic-Bottles/dp/B00CVAV53I>.*

Webpage: Marina Sports Bottle with Hidden Compartment, <https://www.4imprint.com/roduct/132657/Marina-S12ort-Bottle-with-Hidden-Compartment-28-oz>, Global Patent Solutions, accessed Apr. 3, 2019.

Webpage: Hydro Flask Wide Mouth Flex Cap, <https://www.hydroflask.com/wide-mouth-flex-cap/color,black,a,92,o,20>, Accessed Apr. 26, 2019.

Webpage: Hydro Flask w/Loop Cap Mouth 21 oz. Standard Water Bottle 621 ml, White, https://www.amazon.com/Hydro-Flask-Loop-Mouth-Standard/d/B01KXHGYQ8/ref=sr_1_fknull_3?keywords=hydro+flask+standard+loop+cap&qid=1556914118&s=gateway&sr=8-3-fknull, Accessed Apr. 26, 2019.

Webpage: Yeti Rambler Bottle 26oz Vacuum Insulated Stainless Steel Bottle with Cap, Black DuraCoat: Gateway, https://www.amazon.com/YETI-Bottle_Rambler-26Oz-Black/dp/B072BV47Q8/ref=sr_1_fknull_1?keywords=yeti+rambler+26oz+black&qid=1556914194&s=gateway&sr=8-1-fknull, Accessed Apr. 26, 2019.

Webpage: CamelBak Classic Water bottle cap, <https://www.rei.com/product/830433/camelbak-classic-water-bottle-cap>, Accessed Apr. 26, 2019.

Webpage: Munchkin 12oz Sports Bottle—Green, <https://www.target.com/p/munchkin-12oz-sports-bottle-green/-/A-51687720>, Accessed Apr. 26, 2019.

CamelBak Carry Cap: Site Visited [May 21, 2020]. Available from Internet URL: https://www.camelbak.com/en/accessories/caps/R04072-Carry_Cap_Accessory?color=c57c6bc382c8456493455dbc19fa479a.

Camel Bak Carry Cap: Announced Dec. 15, 2019 [online]. Site Visited [May 21, 2020], Available from Internet URL: https://www.amazon.com/CamelBak-Carry-Cap-Bottie-Insulated/dp/B07XR5TRFK/ref=cm_cr_arp_d_product_top?ie=UTF8.

Laken Classic Thermo Vacuum Insulated Container: Announced Dec. 31, 2013 [online]. Site Visited [May 21, 2020]. Available from Internet URL: https://www.lakenusa.com/product_p/ta7.htm.

CamelBak Pivot Water Bottle: Announced Apr. 14, 2020 [online]. Site Visited [Sep. 24, 2020]. Available from Internet URL: <https://www.amazon.com/dp/B07XR99VK5?th=1>.

Pivot CamelBak: Site Visited Sep. 24, 2020. Available from Internet URL: https://www.camelbak.com/en/bottles/R02076-Pivot_Bottle_25oz?color=3ad47db1891742a1b5e9823ffc05164e.

* cited by examiner

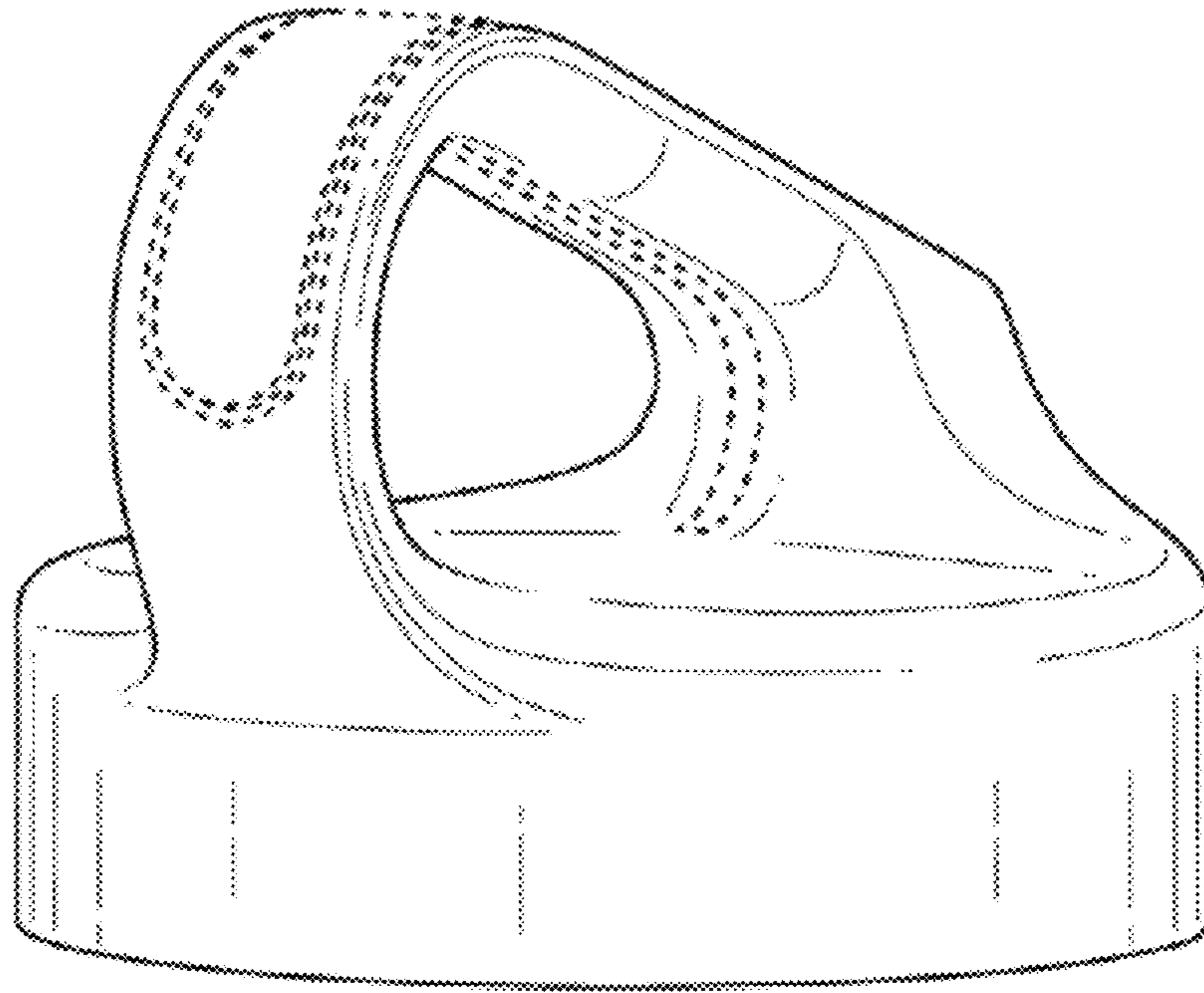


FIG. 1

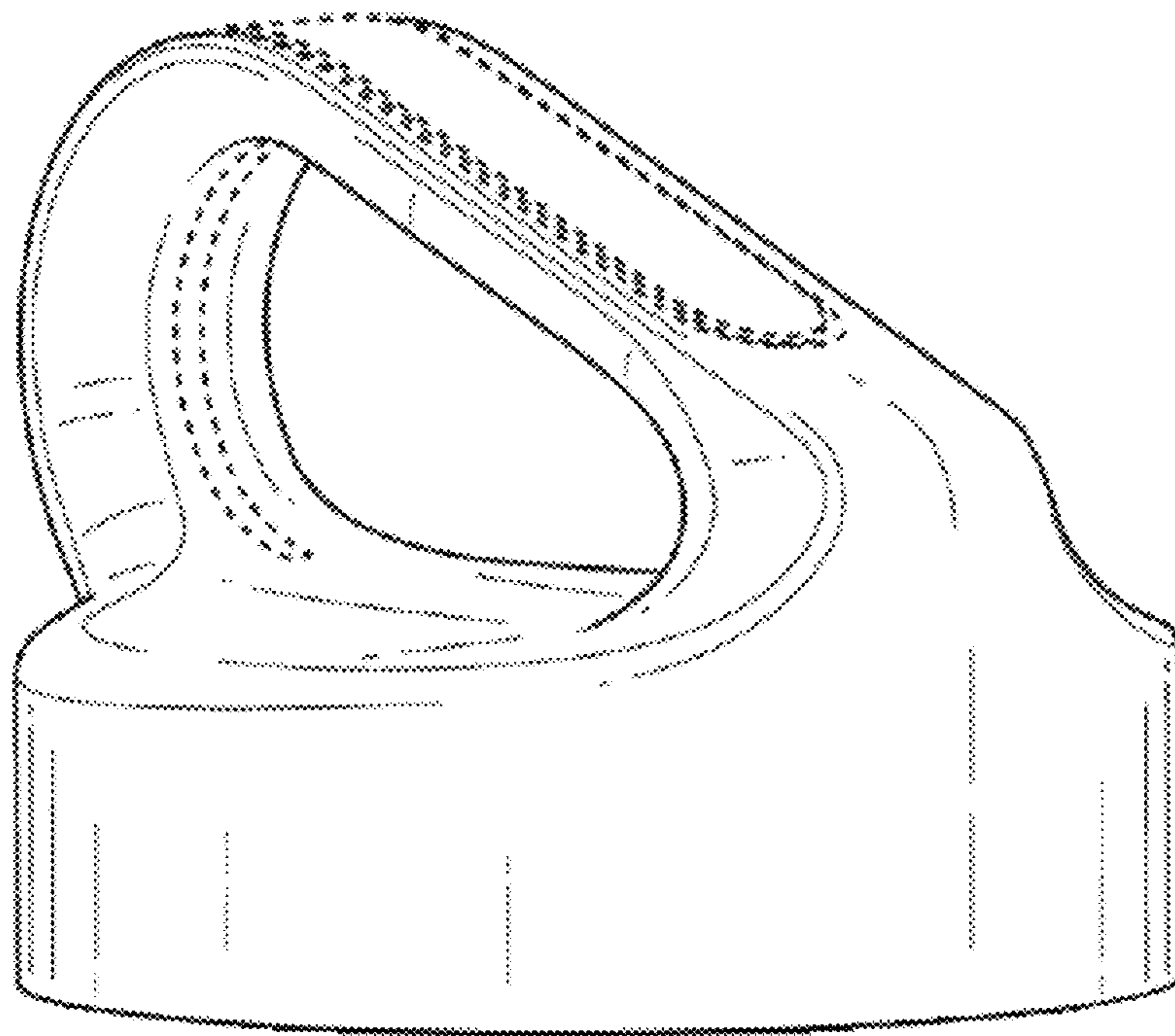


FIG. 2

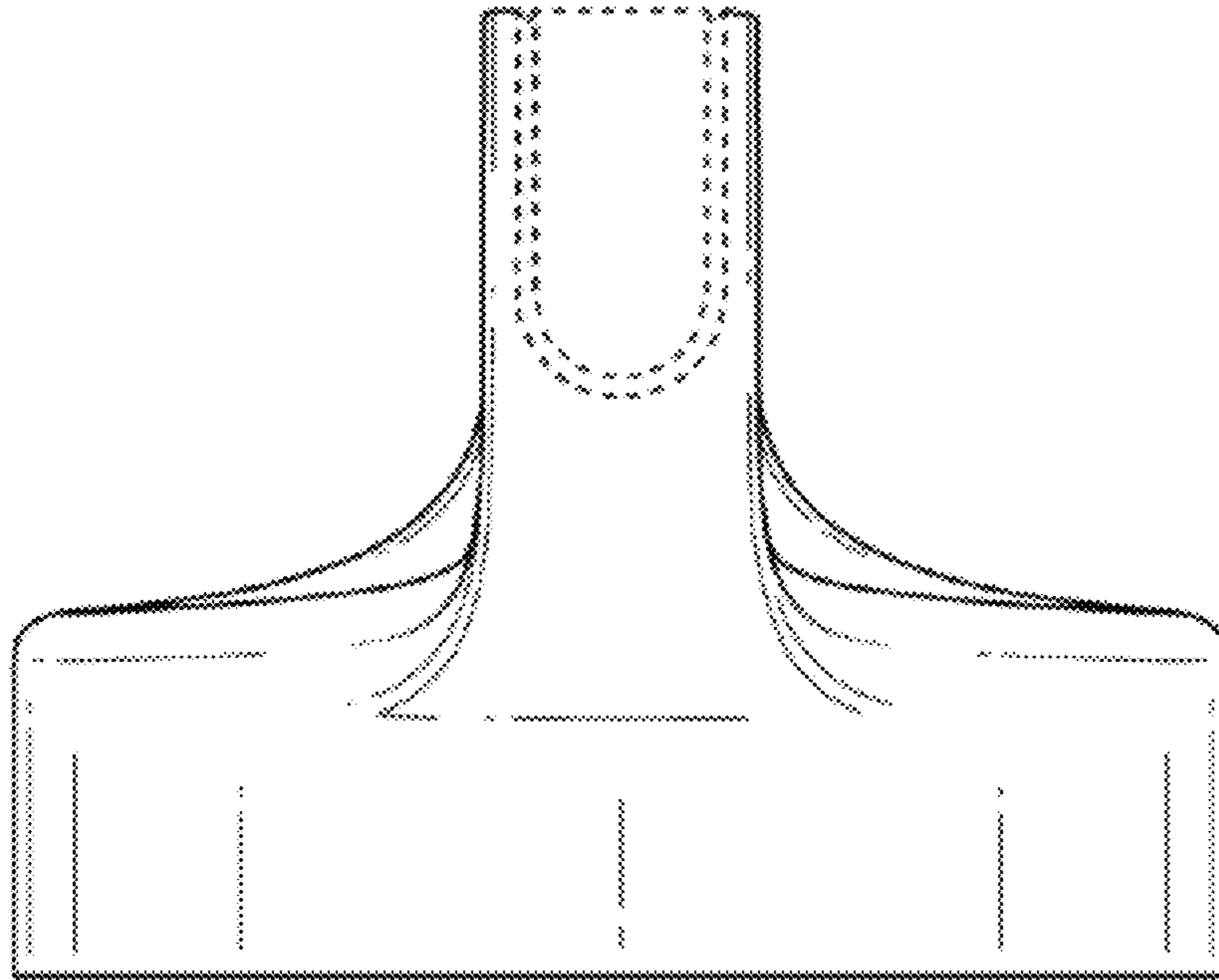


FIG. 3

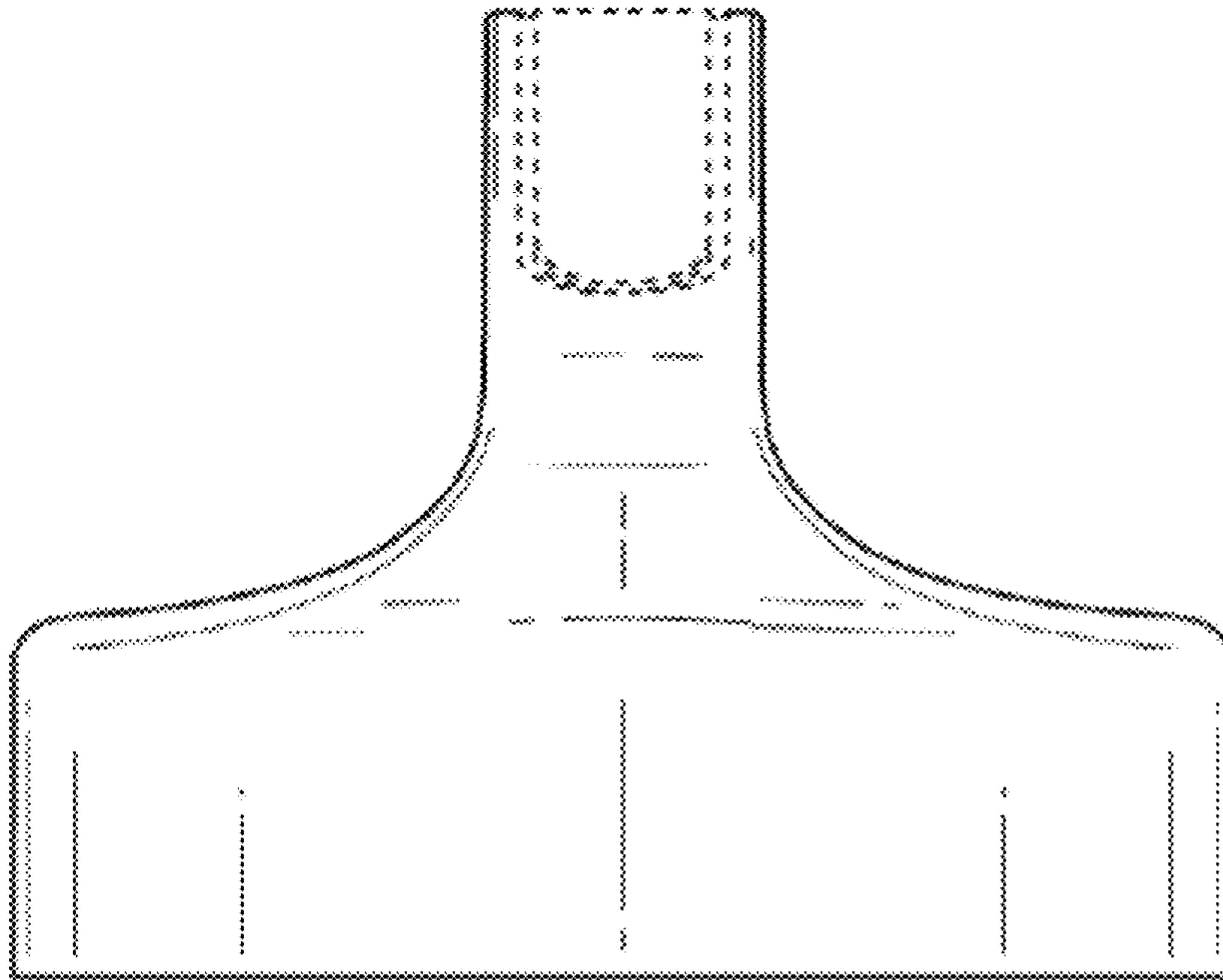


FIG. 4

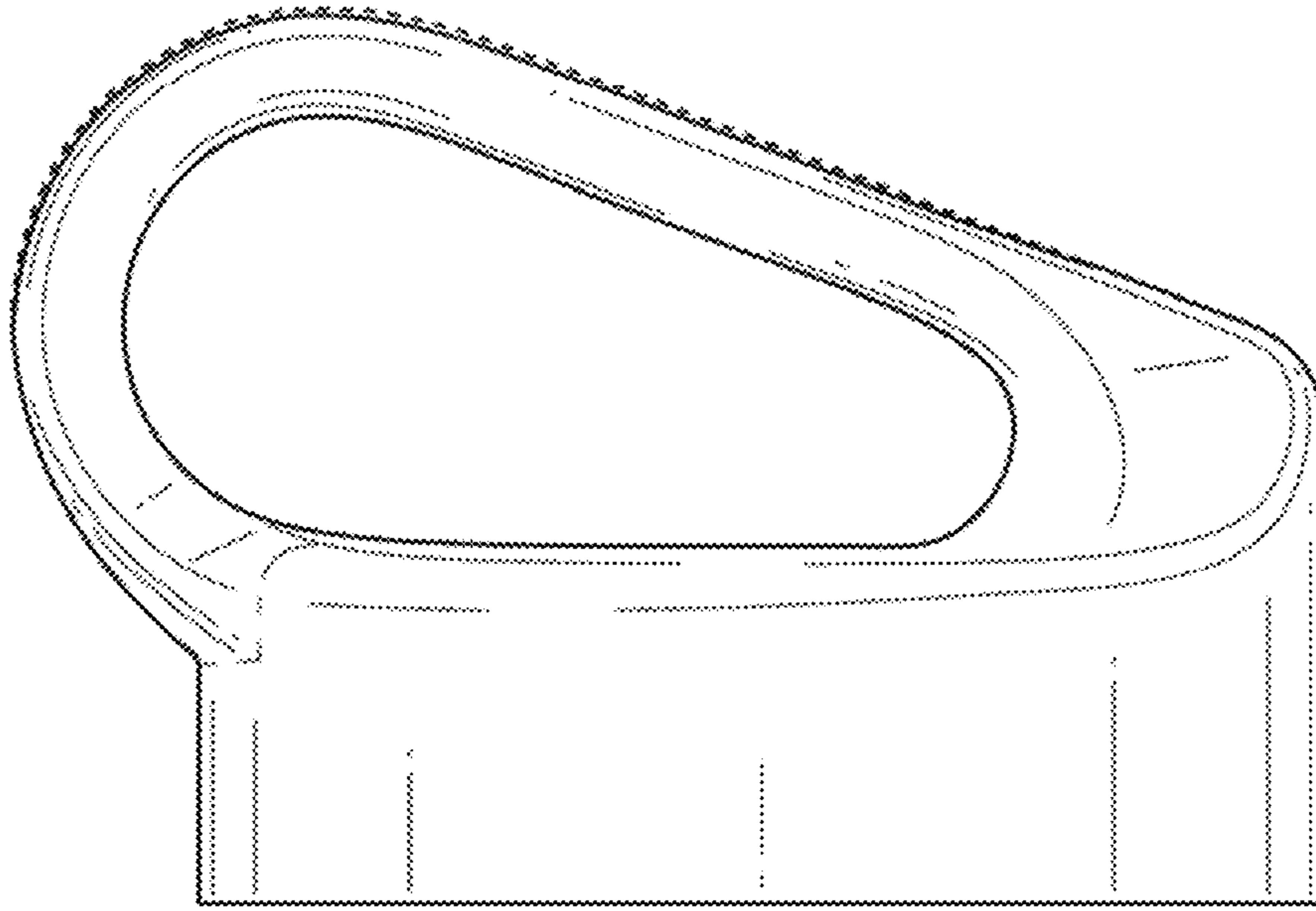


FIG. 5

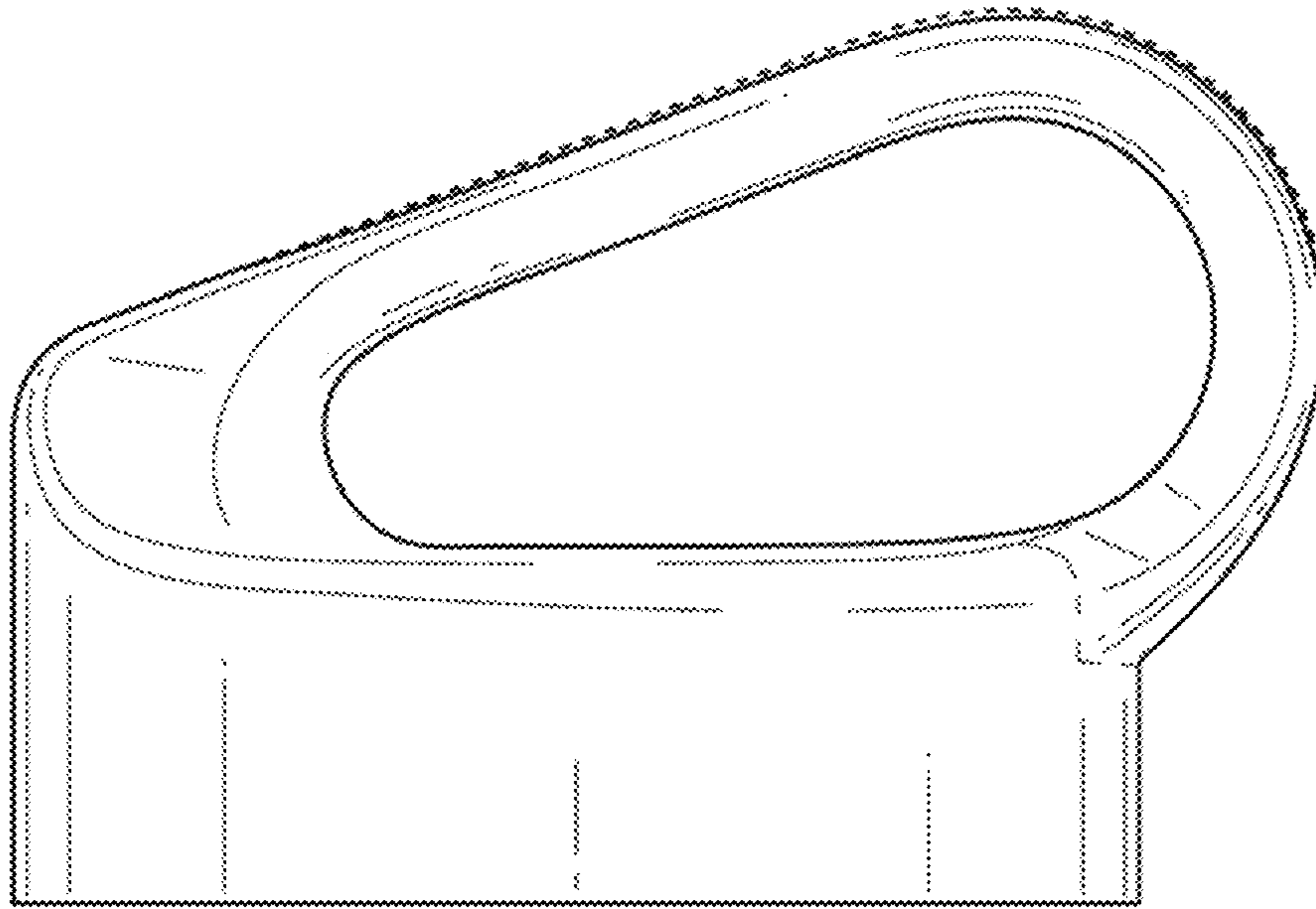


FIG. 6

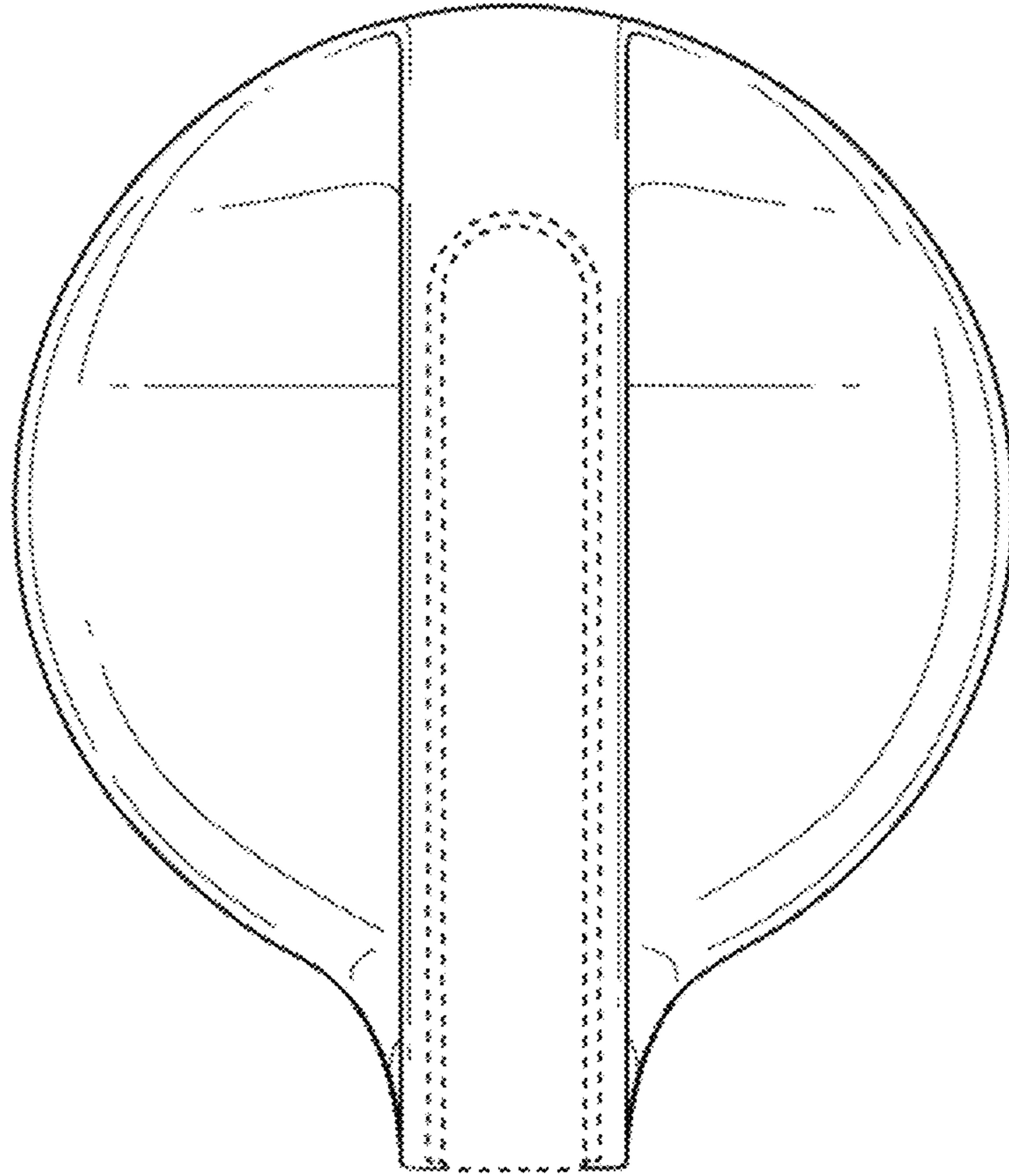


FIG. 7

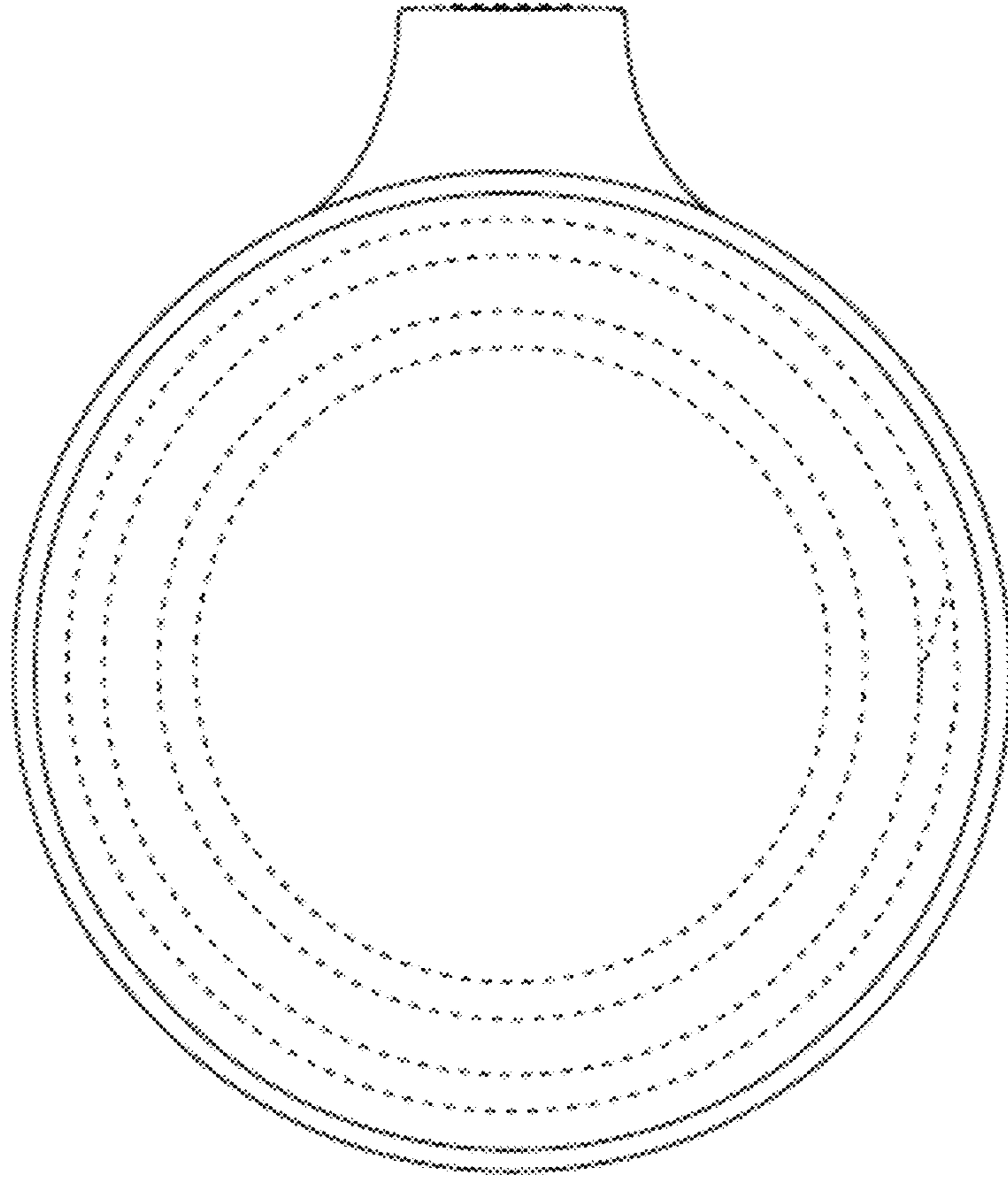


FIG. 8

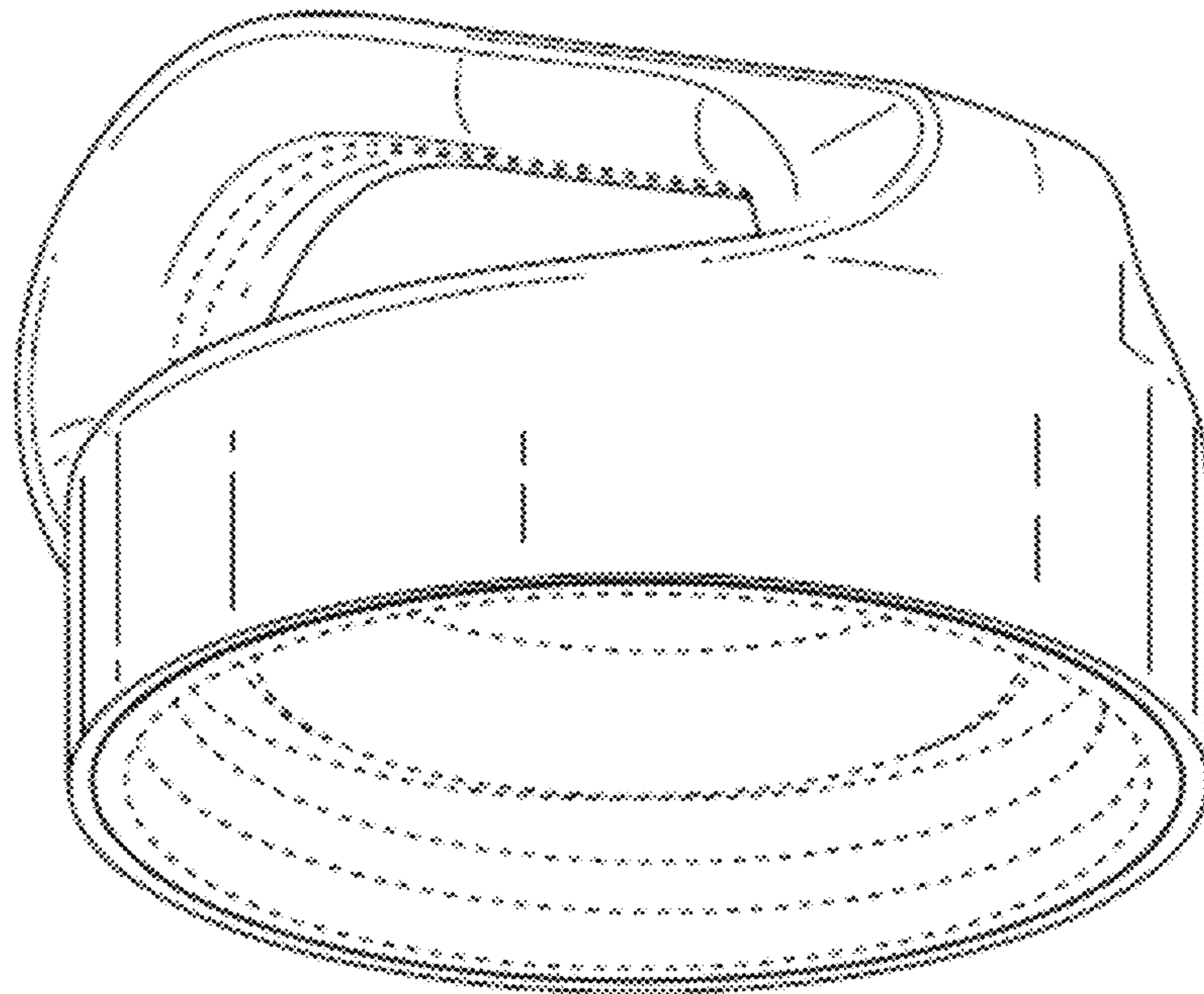


FIG. 9