



US00D934623S

(12) **United States Design Patent**  
**Wang**

(10) **Patent No.:** **US D934,623 S**

(45) **Date of Patent:** **\*\* Nov. 2, 2021**

(54) **LID WITH HANDLE FOR BEVERAGE BOTTLE**

D922,135 S \* 6/2021 Chen ..... D7/392.1  
D923,394 S \* 6/2021 Gu ..... D7/392.1  
2017/0313478 A1\* 11/2017 El-Saden ..... A45F 3/16

(71) Applicant: **Shenzhen Decheng Newnetwork Technology Co., Ltd.**, Shenzhen (CN)

OTHER PUBLICATIONS

(72) Inventor: **Yunlong Wang**, Shenzhen (CN)

Vmini Straw Lid, Compatible with Hydro Flask Wide Mouth Water Bottle, May 24, 2019, Amazon.com Product Review Post, URL:<https://www.amazon.com/Vmini-Bottle-Straws-Included-Fitting/dp/B07GSX4PXH#customerReviews> (Year: 2019).\*

(\*\*) Term: **15 Years**

\* cited by examiner

(21) Appl. No.: **29/736,610**

(22) Filed: **Jun. 2, 2020**

*Primary Examiner* — Brett Miller

(51) **LOC (13) Cl.** ..... **09-07**

*Assistant Examiner* — Rani J Abdallah

(52) **U.S. Cl.**

(74) *Attorney, Agent, or Firm* — Novoclaims Patent Services LLC; Mei Lin Wong

USPC ..... **D7/392.1**; D9/443; D7/396.2

(58) **Field of Classification Search**

USPC ..... D9/439, 440, 442–449, 682, 685, 686, D9/435, 450, 454; D6/515; D7/507, D7/509–511, 523, 391, 392, 392.1, 396.2

CPC .... B65D 83/205; B65D 83/206; B65D 83/40; B65D 2543/00046; A47G 19/2272

See application file for complete search history.

(57) **CLAIM**

The ornamental design for a lid with handle for beverage bottle, as shown and described.

(56) **References Cited**

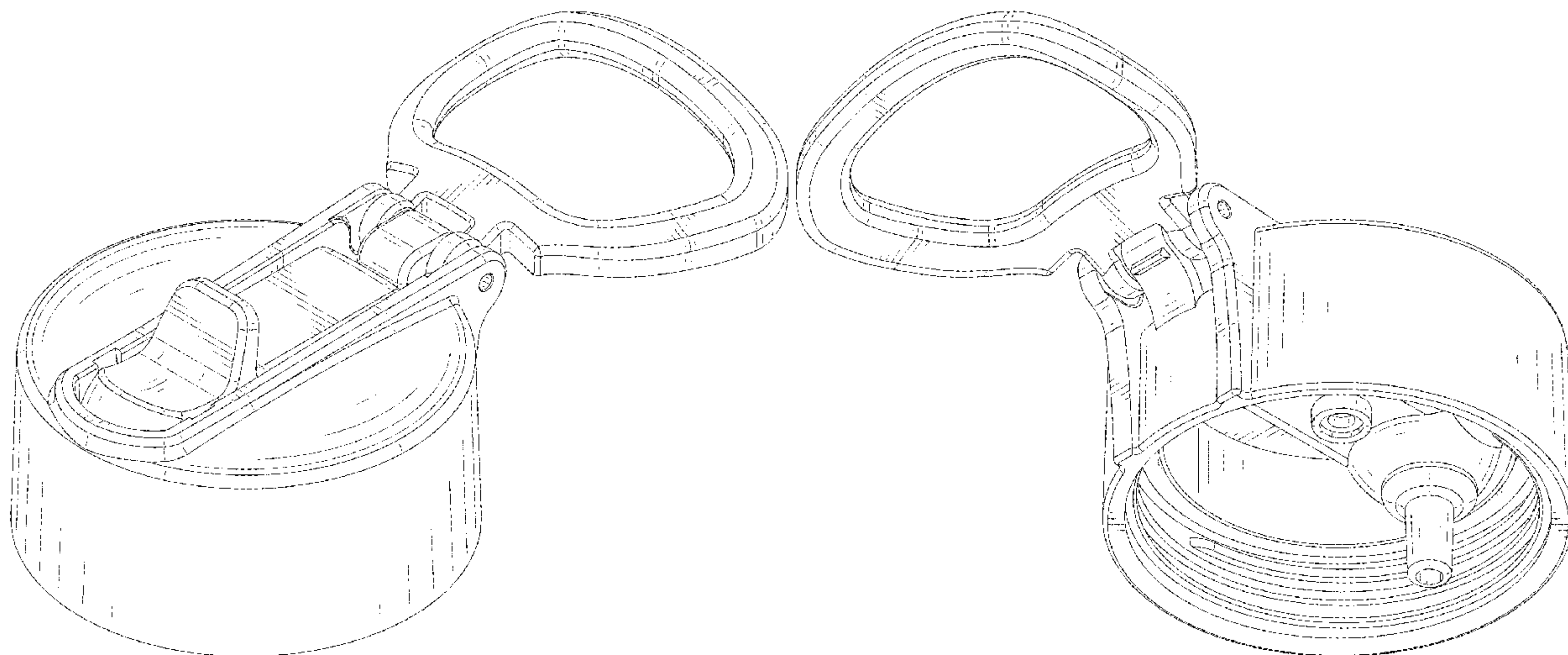
**DESCRIPTION**

U.S. PATENT DOCUMENTS

D812,966 S *	3/2018	Murosky	.....	D7/392.1
D824,721 S *	8/2018	Hu	.....	D7/392.1
D858,181 S *	9/2019	Lown	.....	D7/392.1
D870,508 S *	12/2019	Palkon	.....	D7/392.1
D896,573 S *	9/2020	Wu	.....	D7/392.1
D899,181 S *	10/2020	Xie	.....	D7/392.1
D900,539 S *	11/2020	Yao	.....	D7/392.1
D903,404 S *	12/2020	Bram	.....	D7/392.1
D905,499 S *	12/2020	Zhang	.....	D7/392.1
D906,042 S *	12/2020	Chen	.....	D7/392.1
D911,100 S *	2/2021	Chen	.....	D7/392.1
D911,101 S *	2/2021	Fang	.....	D7/392.1
D911,772 S *	3/2021	Xie	.....	D7/392.1
D917,956 S *	5/2021	Yao	.....	D7/392
D917,957 S *	5/2021	Yao	.....	D7/392
D920,041 S *	5/2021	Chen	.....	D7/396.2

FIG. 1 is a perspective view of a lid with handle for beverage bottle, showing my new design;  
FIG. 2 is rear perspective view thereof;  
FIG. 3 is a front view thereof;  
FIG. 4 is a rear view thereof;  
FIG. 5 is a left side view thereof;  
FIG. 6 is a right side view thereof;  
FIG. 7 is a top view thereof; and  
FIG. 8 is a bottom view thereof; and,  
FIG. 9 is a perspective thereof, showing the mouthpiece in open position.  
The broken lines depict portions of the lid with handle for beverage bottle that form no part of the claimed design.

**1 Claim, 9 Drawing Sheets**



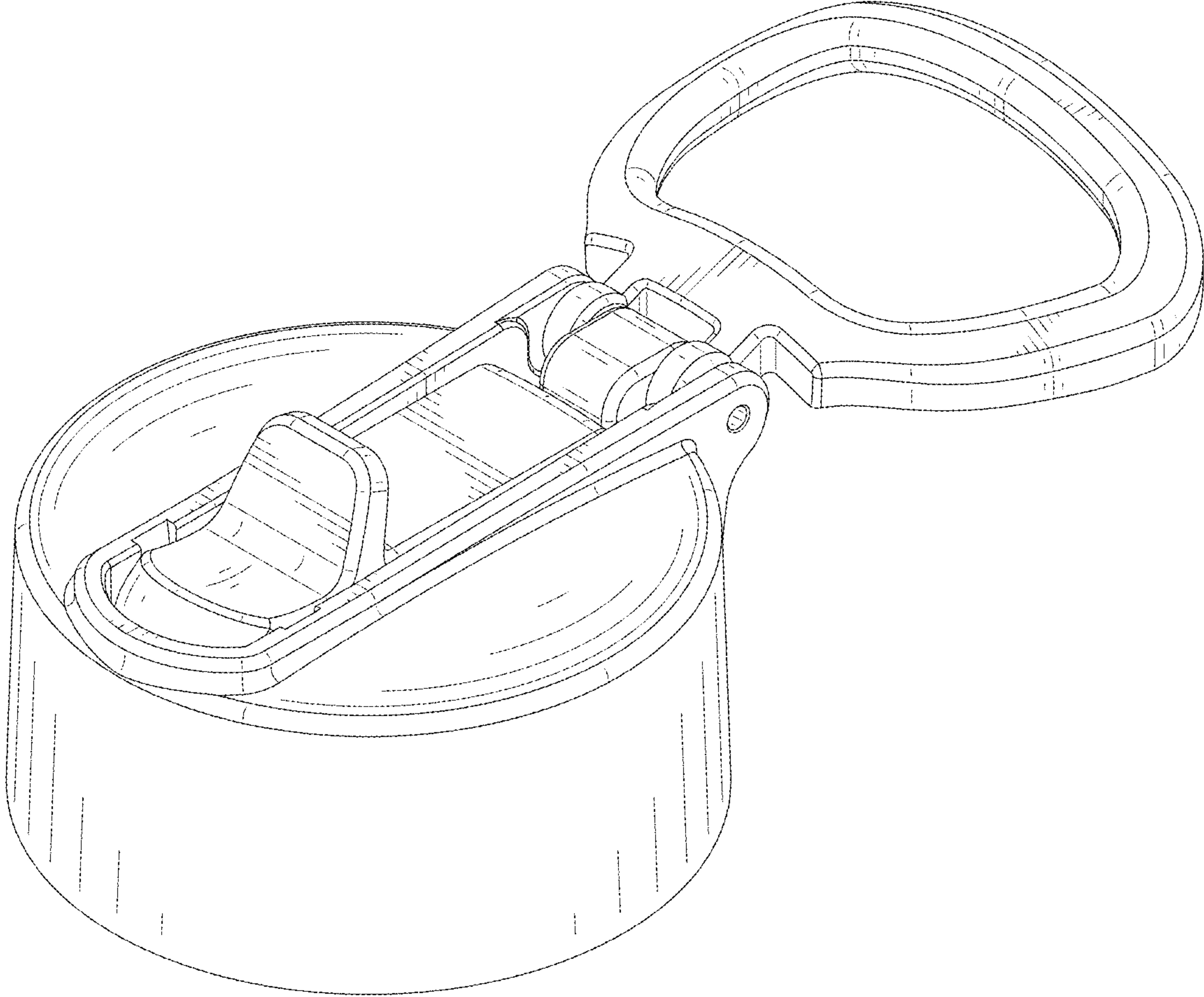


FIG.1

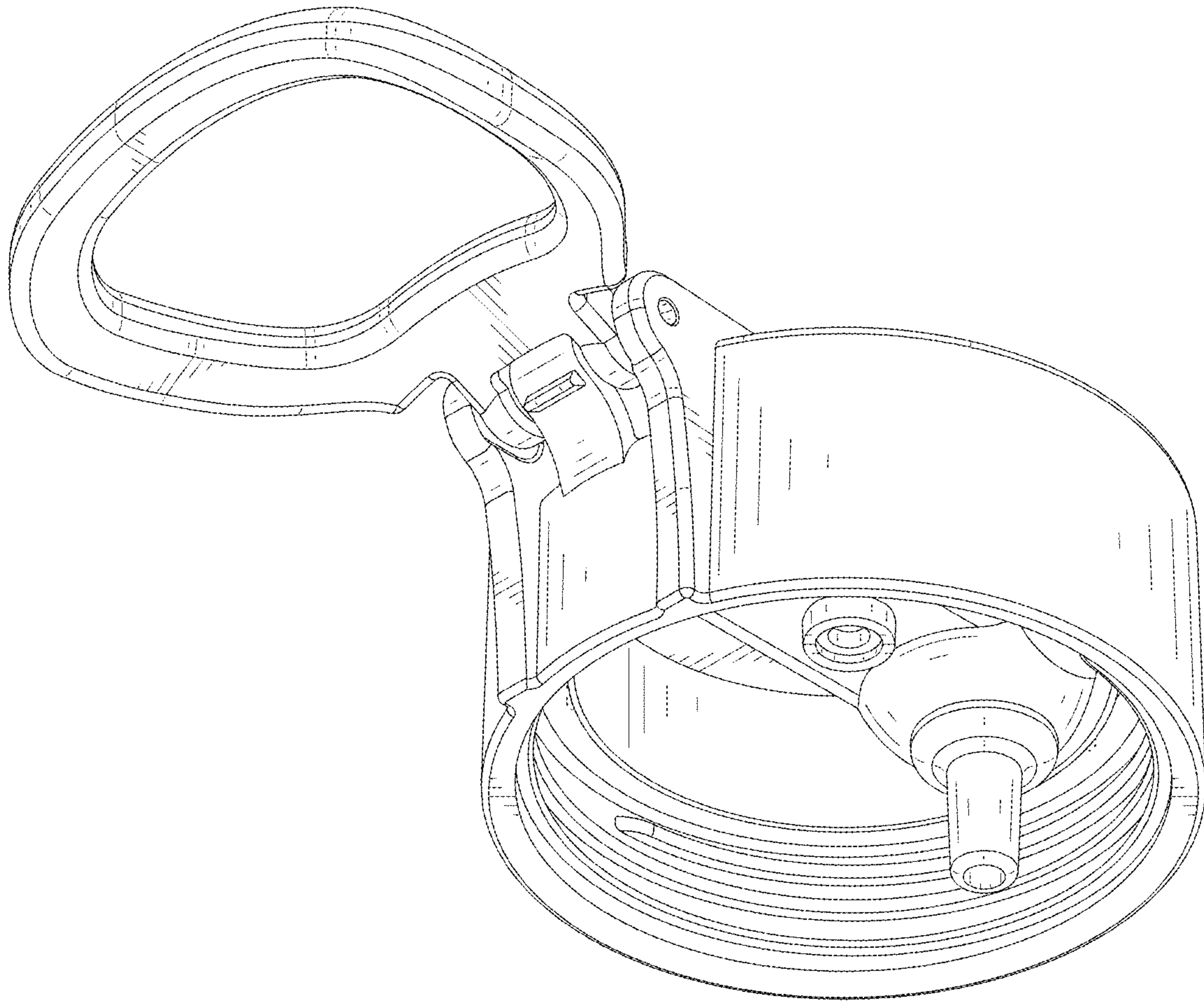


FIG.2

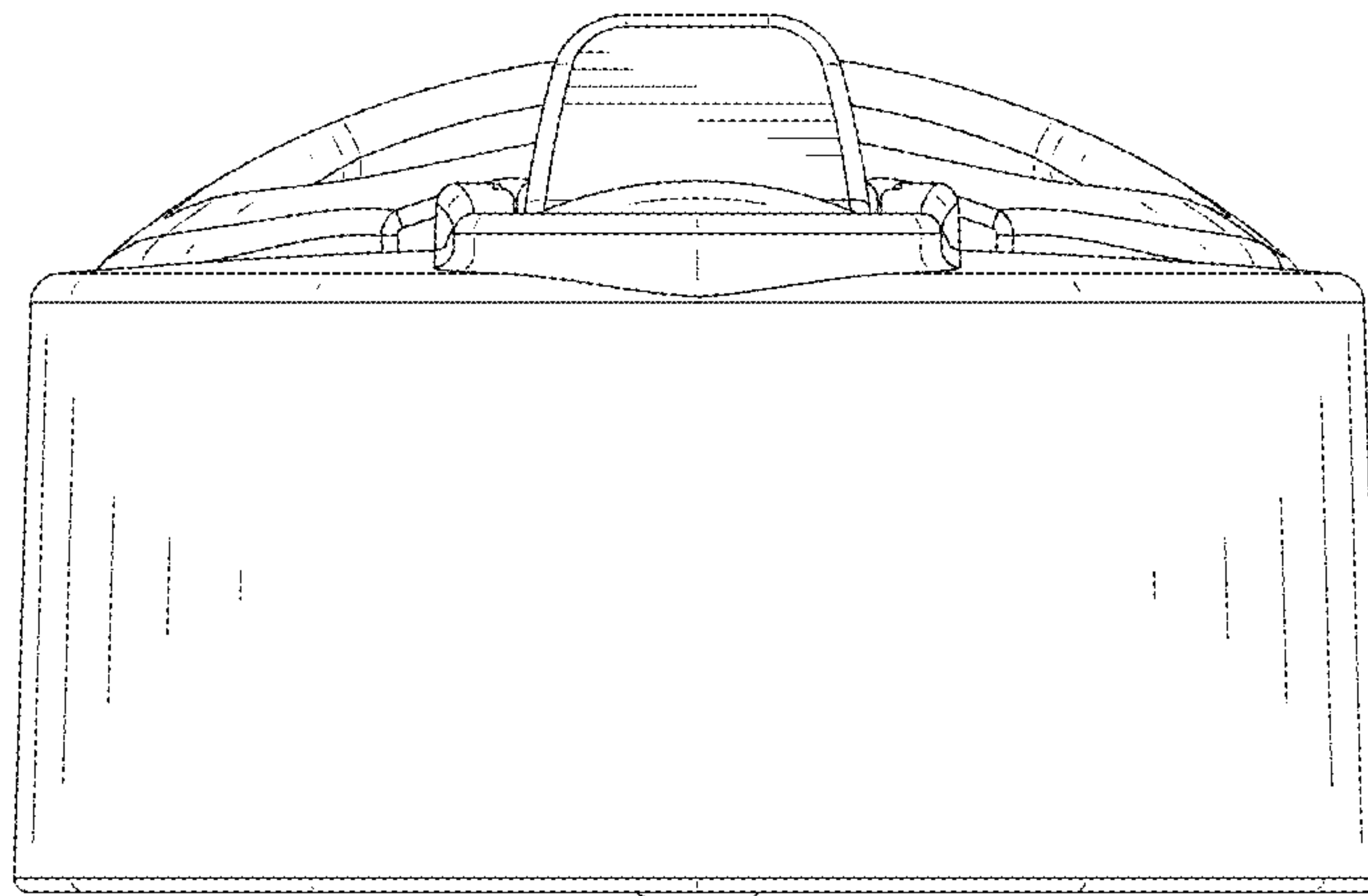


FIG.3



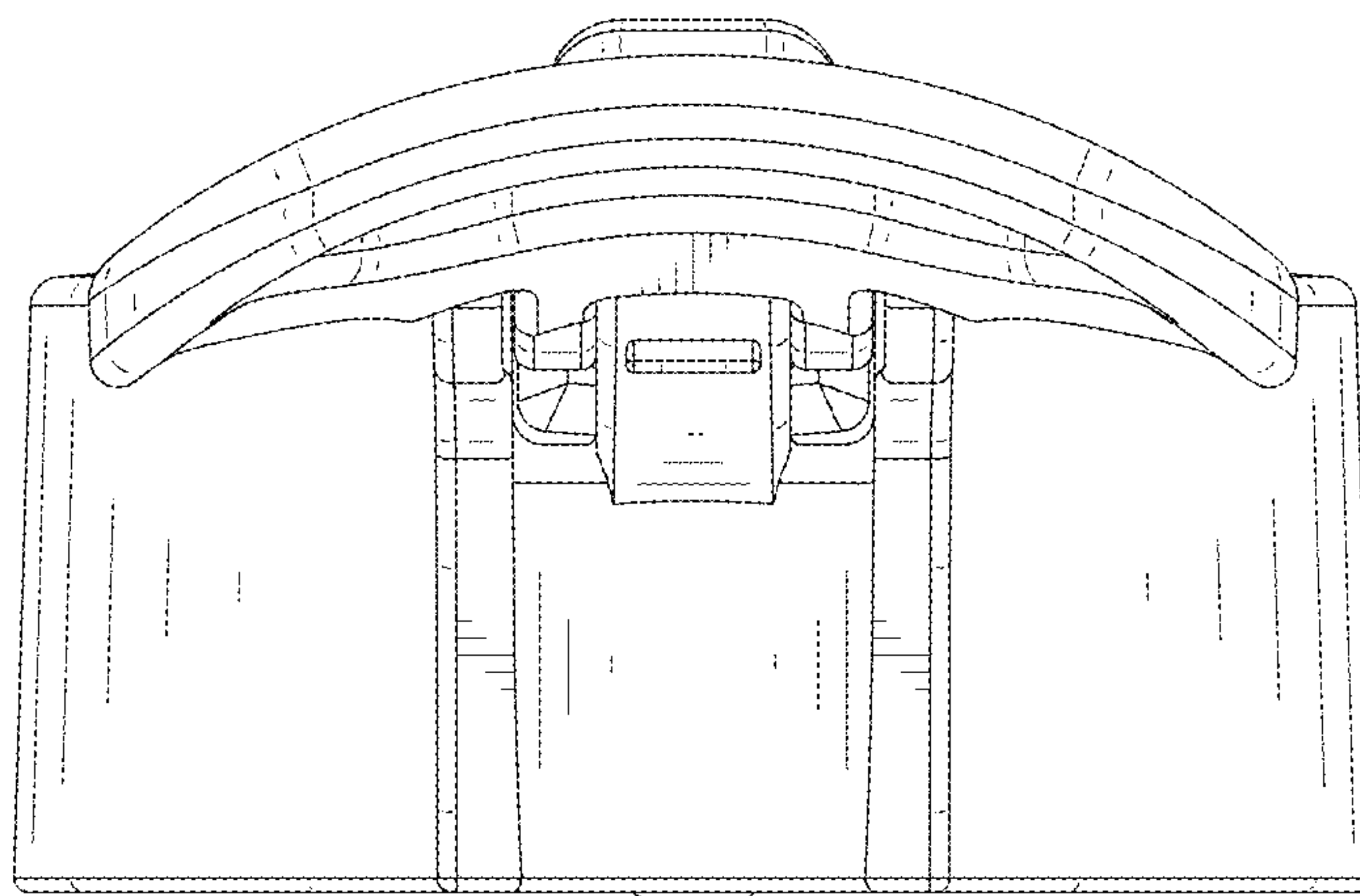


FIG.4

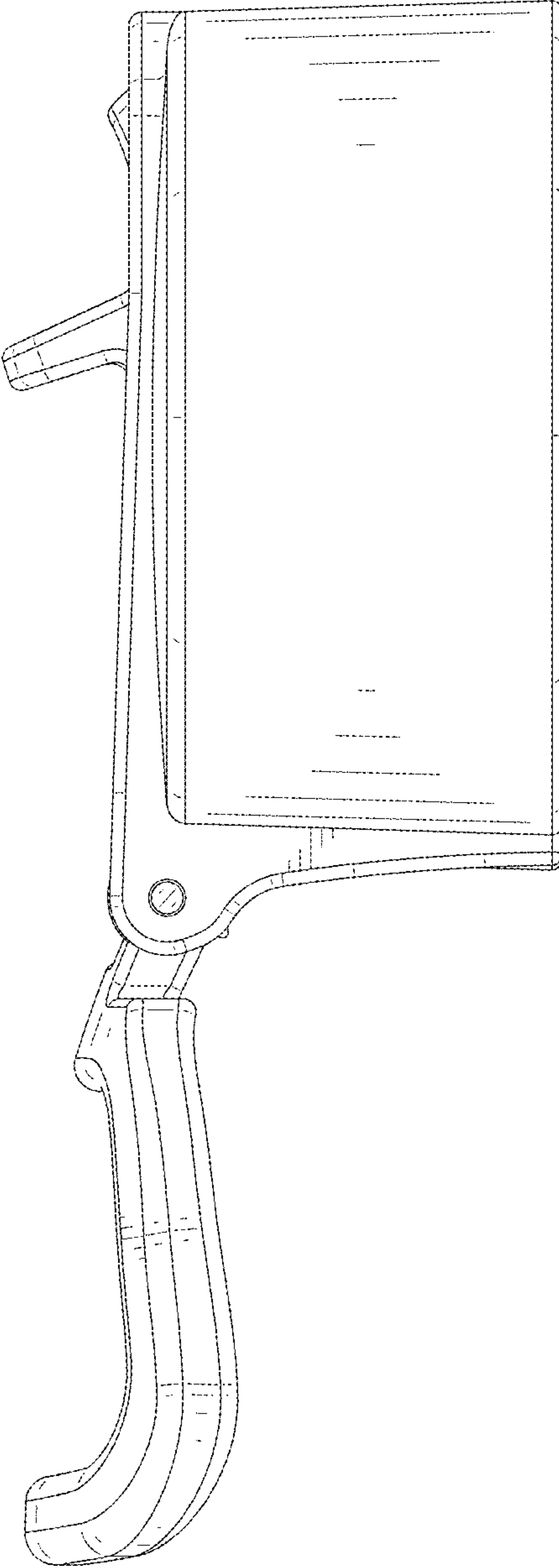


FIG.5

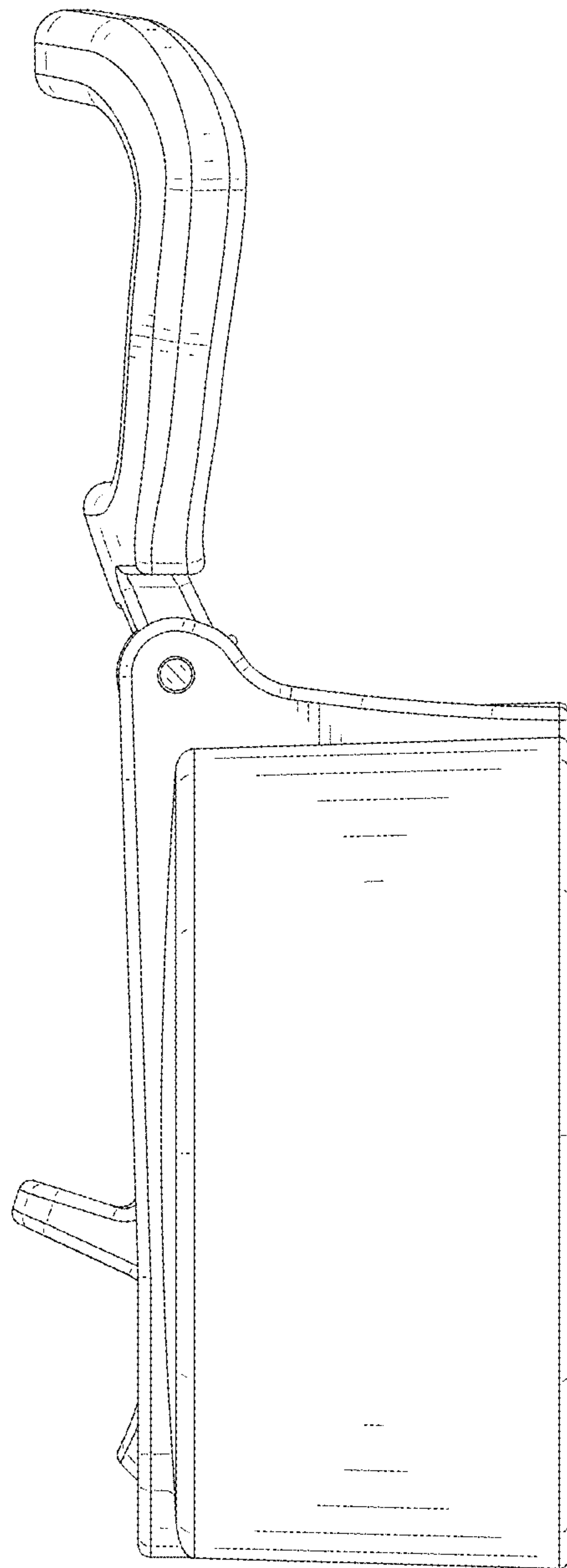


FIG.6

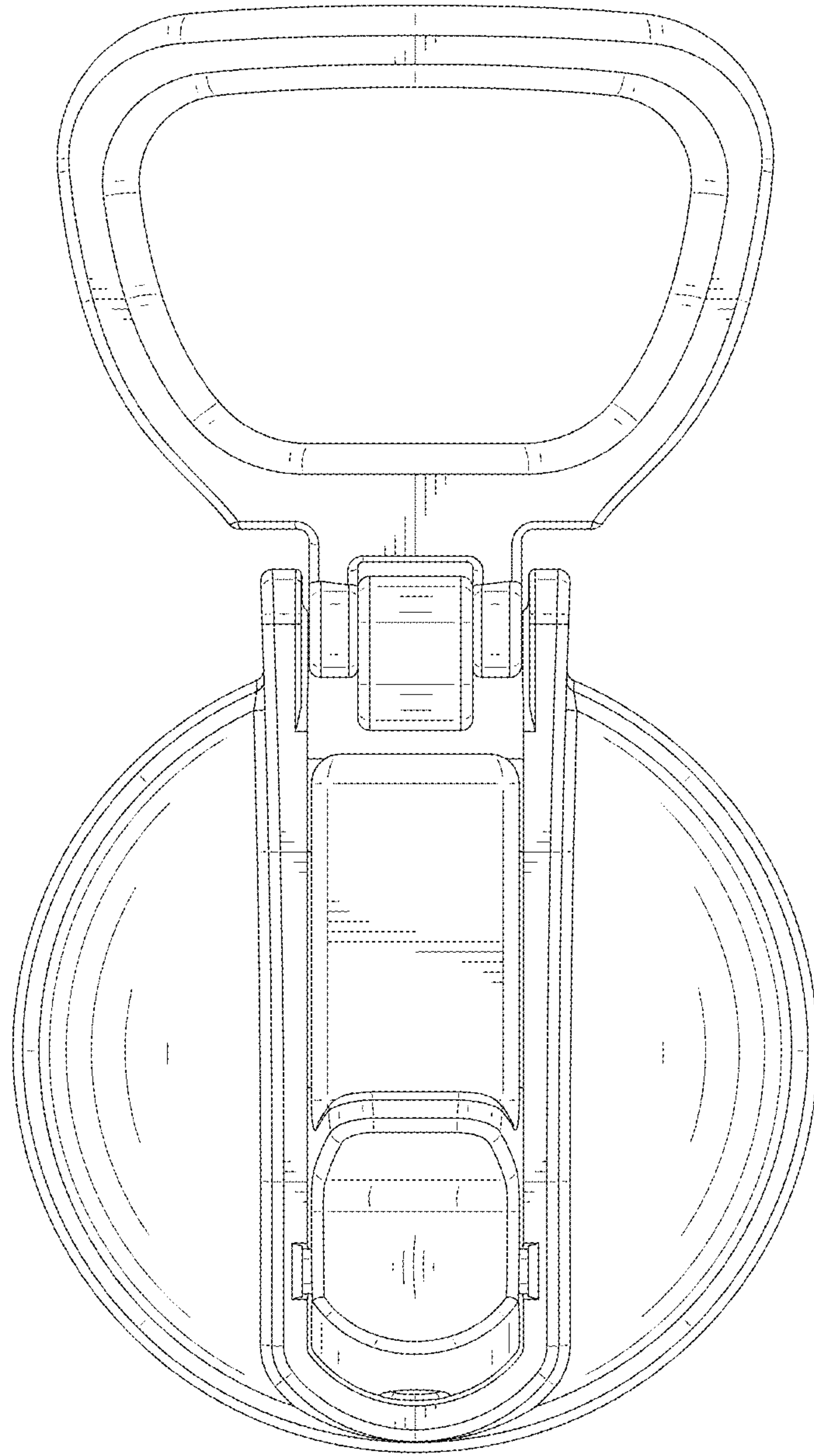


FIG.7



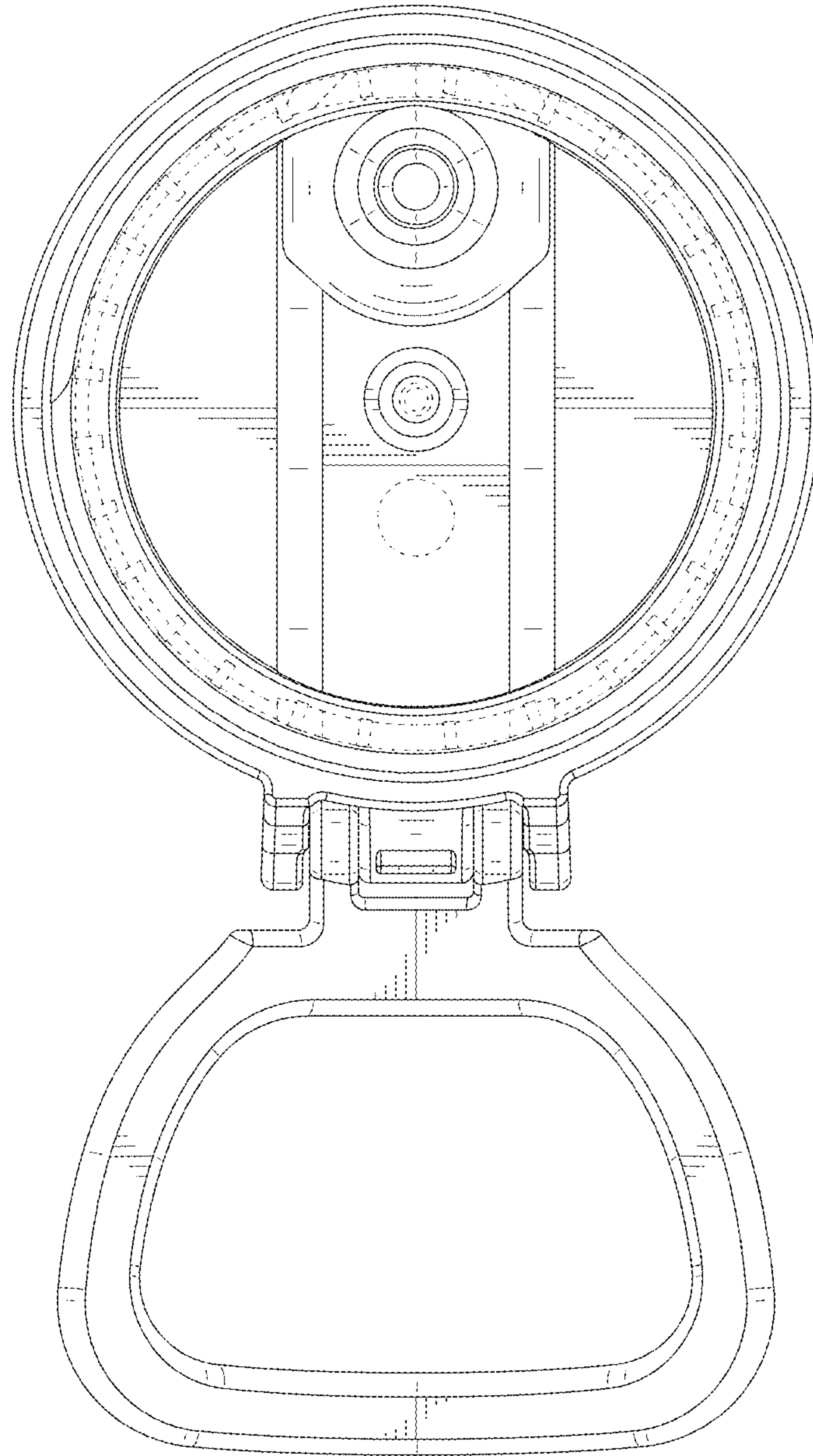


FIG.8

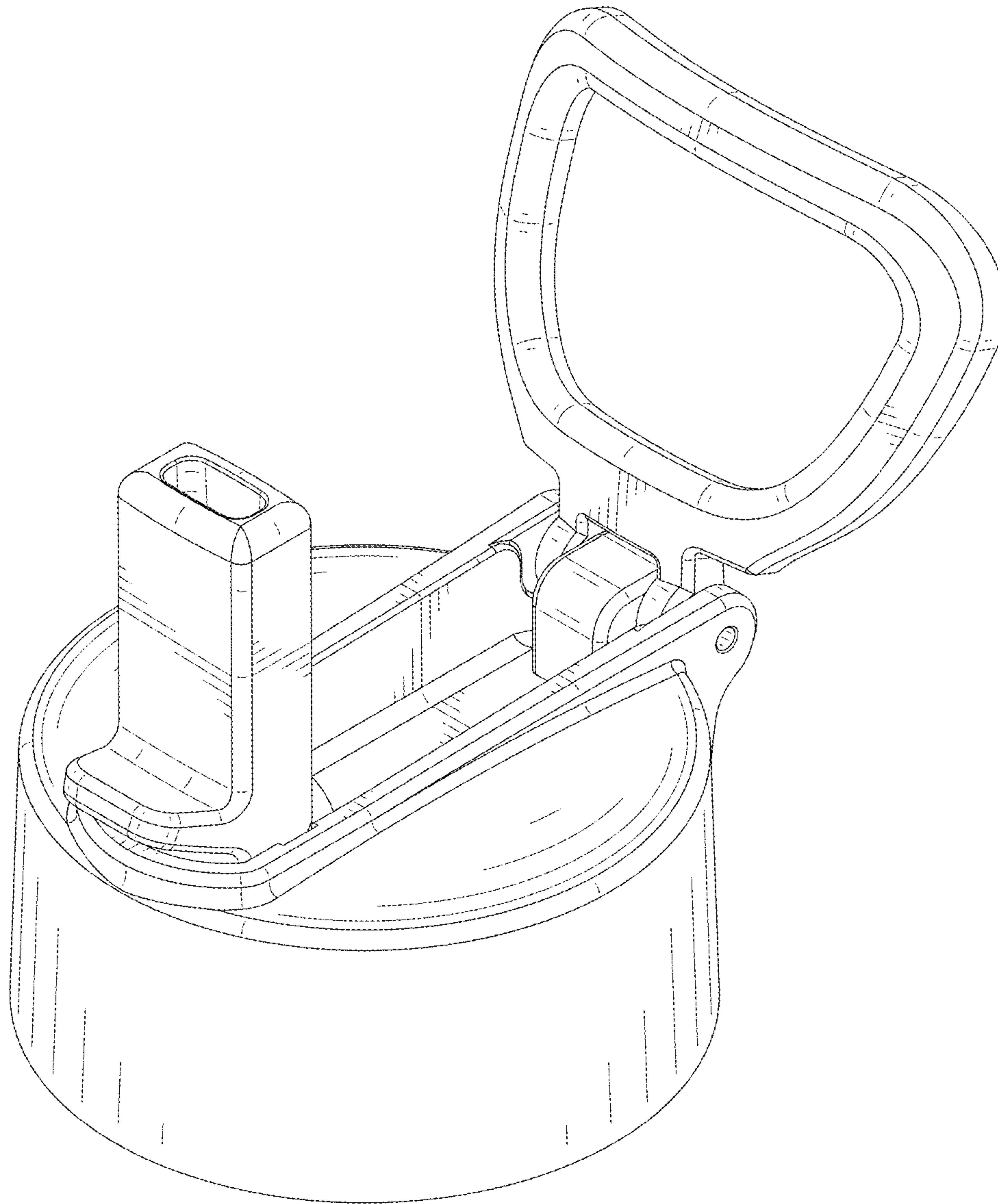


FIG.9