

US00D934622S

(12) **United States Design Patent** (10) **Patent No.:** **US D934,622 S**
Diggs et al. (45) **Date of Patent:** **** Nov. 2, 2021**

(54) **FERMENTATION KITCHENWARE**
(71) Applicants: **Karen Wang Diggs**, San Francisco, CA (US); **G. Michael Edwards**, San Francisco, CA (US); **William Nordby**, Hinsdale, IL (US); **A. Eugene Nordby**, Surprise, AZ (US)
(72) Inventors: **Karen Wang Diggs**, San Francisco, CA (US); **G. Michael Edwards**, San Francisco, CA (US); **William Nordby**, Hinsdale, IL (US); **A. Eugene Nordby**, Surprise, AZ (US)

D364,566 S * 11/1995 Douer D9/436
D490,315 S 5/2004 Kiser
D510,497 S * 10/2005 Hou D7/300.1
D611,295 S 3/2010 Wai et al.
D722,804 S * 2/2015 Kay D7/300.1
9,215,953 B2 12/2015 Prum et al.
D769,060 S 10/2016 Klein
9,717,260 B2 8/2017 Diggs et al.

(Continued)

FOREIGN PATENT DOCUMENTS

CN 1411748 A 4/2003
WO 1993006747 A2 4/1993
WO 2015066538 A1 5/2015

(**) Term: **15 Years**

(21) Appl. No.: **29/713,357**

(22) Filed: **Nov. 15, 2019**

(51) **LOC (13) Cl.** **07-99**

(52) **U.S. Cl.**
USPC **D7/368**

(58) **Field of Classification Search**
USPC D7/368, 612-615, 391-392.1, 396.1, D7/396.2; D9/454, 434, 435; D24/199
CPC ... A23B 7/105; A23B 7/12; A23B 7/10; A47J 43/27; A47J 43/00; B65D 51/2892; B65D 51/2842; C12C 9/00; C12C 11/00; C12C 11/003; C12C 11/006

See application file for complete search history.

(56) **References Cited**

U.S. PATENT DOCUMENTS

2,077,992 A 4/1937 Bernard
2,694,691 A 11/1954 Morris
4,287,819 A 9/1981 Emerit
4,293,655 A 10/1981 Christ et al.
D278,311 S * 4/1985 Brown D9/436
4,717,031 A 1/1988 Hewson
4,877,625 A 10/1989 Dieu et al.
D318,394 S * 7/1991 Larimer D7/300.1
5,461,968 A 10/1995 Portman

OTHER PUBLICATIONS

Photos from Kraut Source website <https://www.krautsource.com/>, As current as Jan. 2019 [1 page].

(Continued)

Primary Examiner — Terry A Wallace

(74) *Attorney, Agent, or Firm* — Alberto Q. Armstrong, Jr.; Amatong McCoy LLC

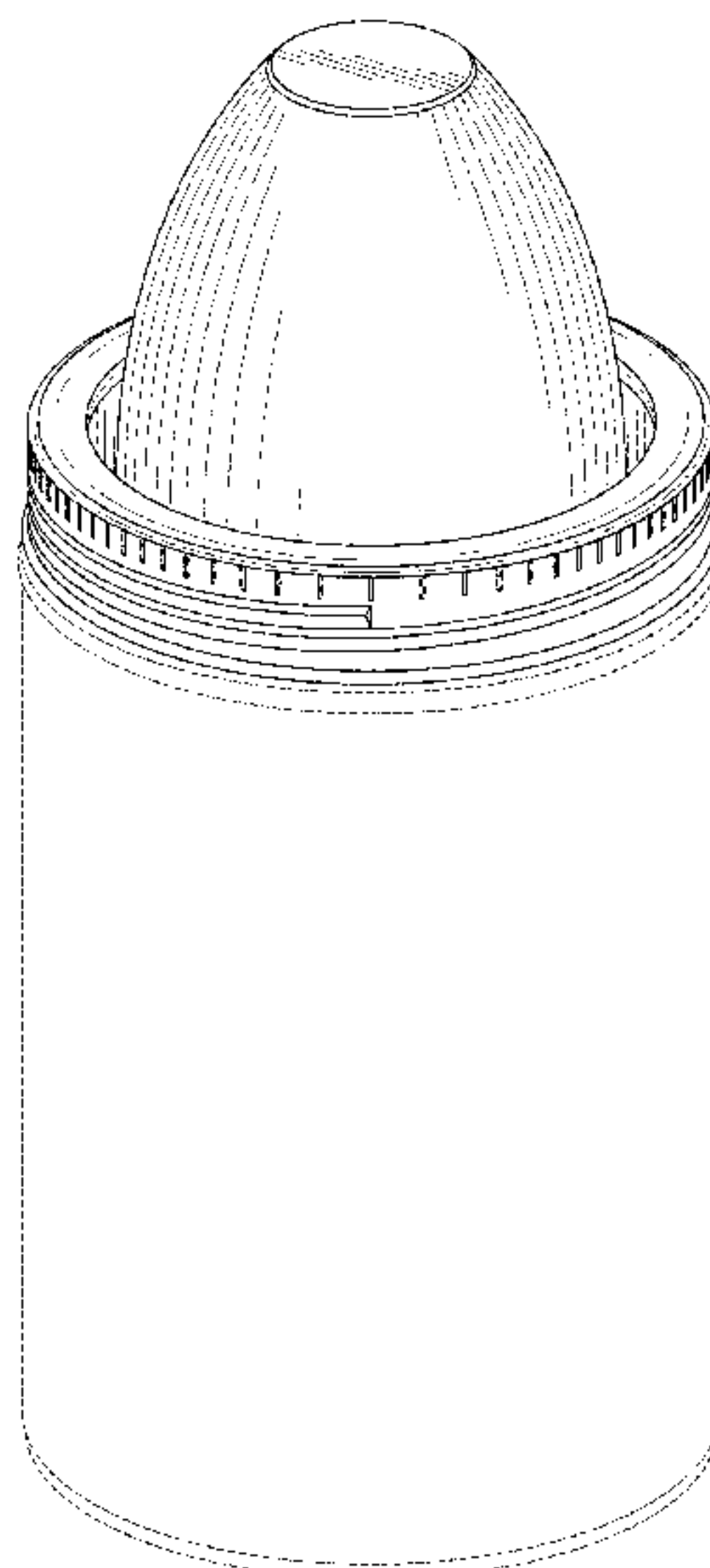
(57) **CLAIM**

The ornamental design for fermentation kitchenware, as shown and described.

DESCRIPTION

FIG. 1 is a perspective view of the fermentation kitchenware in accordance with our new design;
FIG. 2 is a front view thereof;
FIG. 3 is a back view thereof;
FIG. 4 is right view thereof;
FIG. 5 is left view thereof; and,
FIG. 6 is a top view thereof.
The broken lines in the drawings illustrate portions of a mason jar, which mason jar forms no part of the claimed design.

1 Claim, 4 Drawing Sheets



(56)

References Cited

U.S. PATENT DOCUMENTS

D821,138 S * 6/2018 Silsby D7/396.2
D867,813 S * 11/2019 Reed D7/392.1
2003/0066638 A1 4/2003 Qu et al.
2003/0136791 A1 7/2003 Tarlow
2003/0213709 A1 11/2003 Gibler et al.
2013/0126369 A1* 5/2013 Gamelli B65D 43/02
206/217
2013/0233898 A1 9/2013 Resnikoff et al.
2013/0248536 A1 9/2013 Prum et al.
2014/0116271 A1 5/2014 Diggs et al.

OTHER PUBLICATIONS

The Mason Jar Cocktail Shaker, Mason Shaker Kickstarter Campaign Publication, Jul. 22, 2012 [13 pages].

* cited by examiner

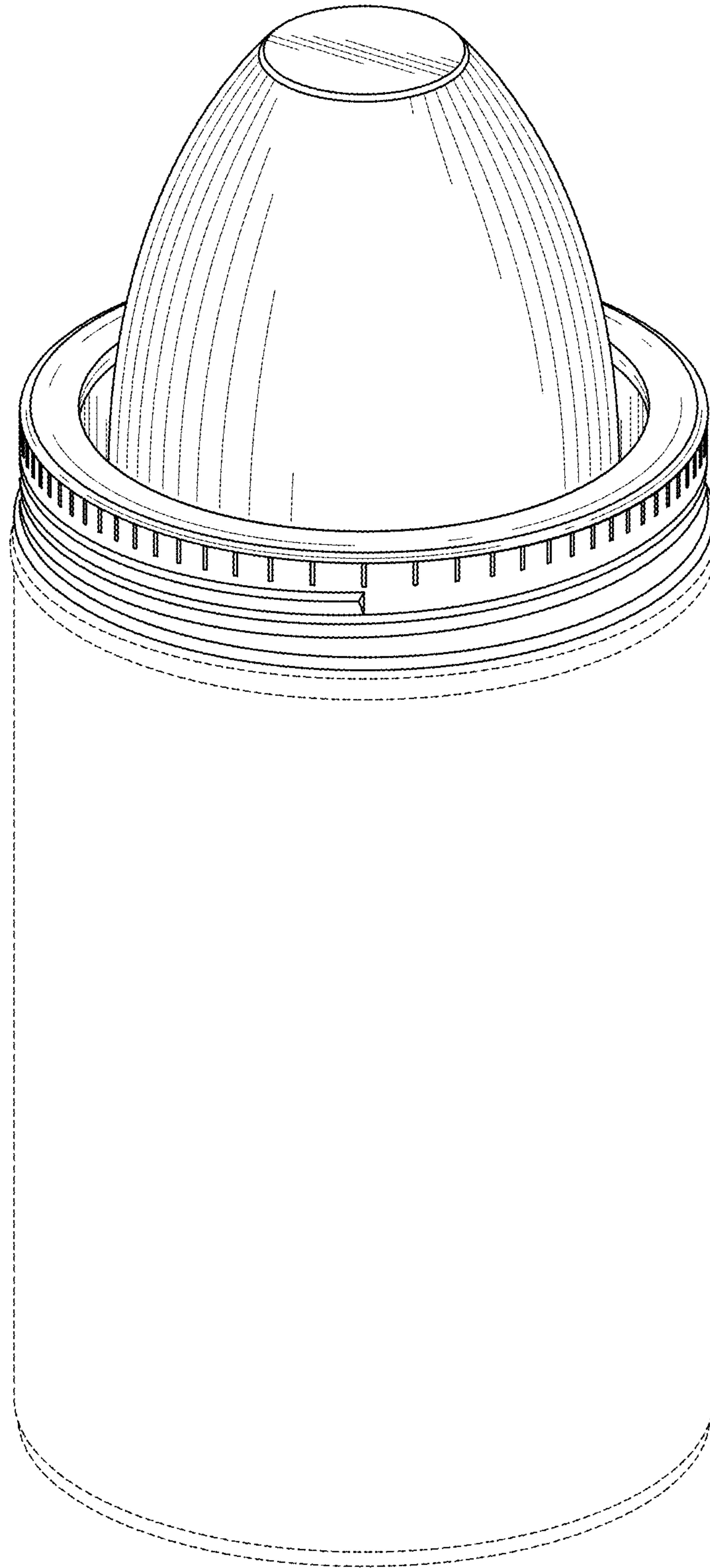


FIG. 1

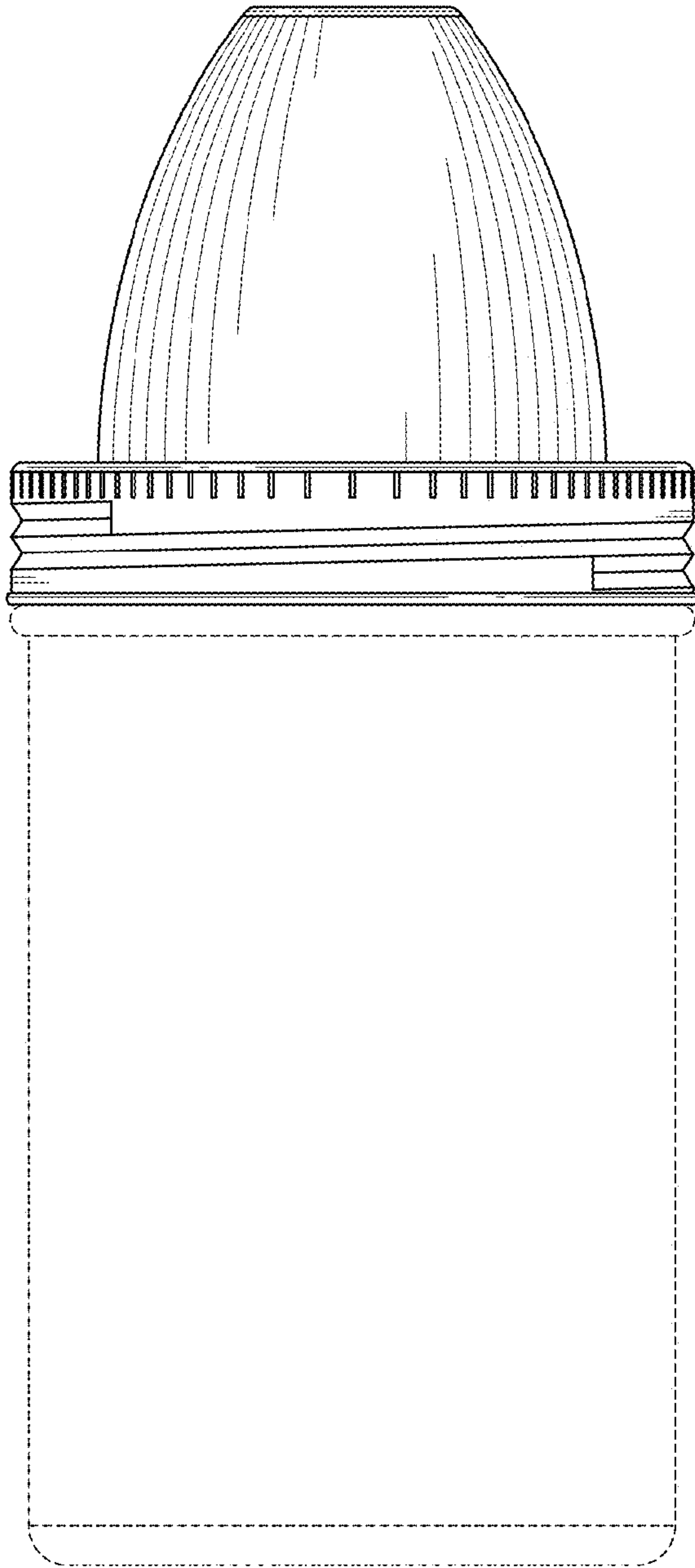


FIG. 2

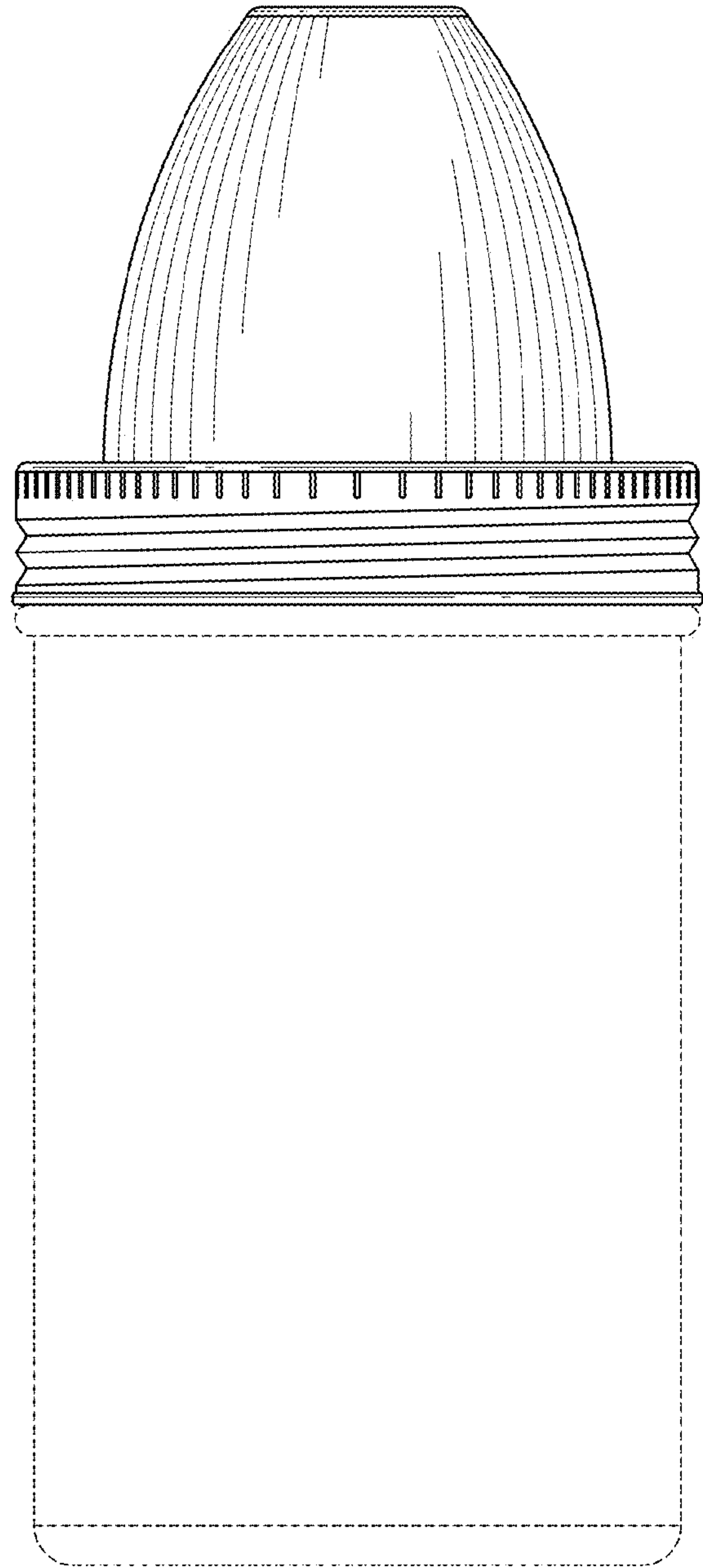


FIG. 3

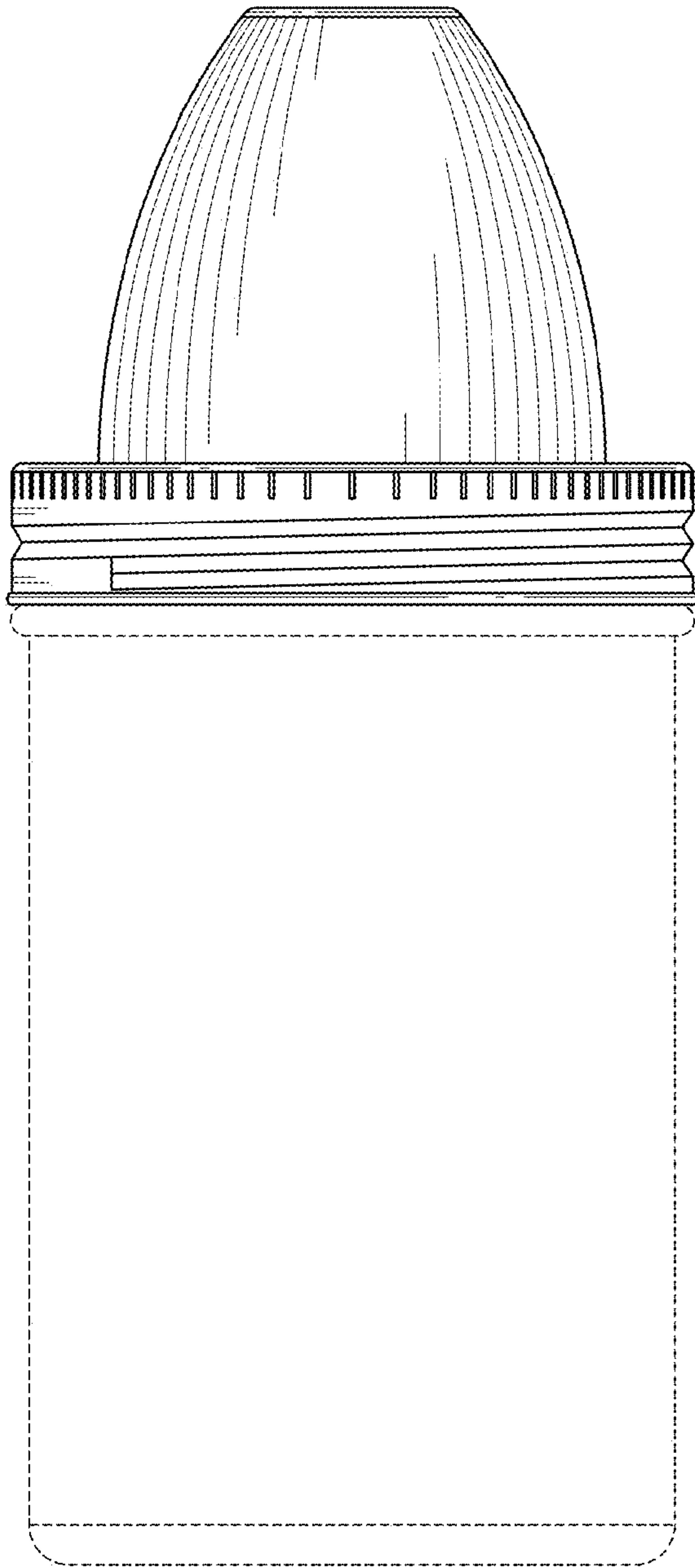


FIG. 4

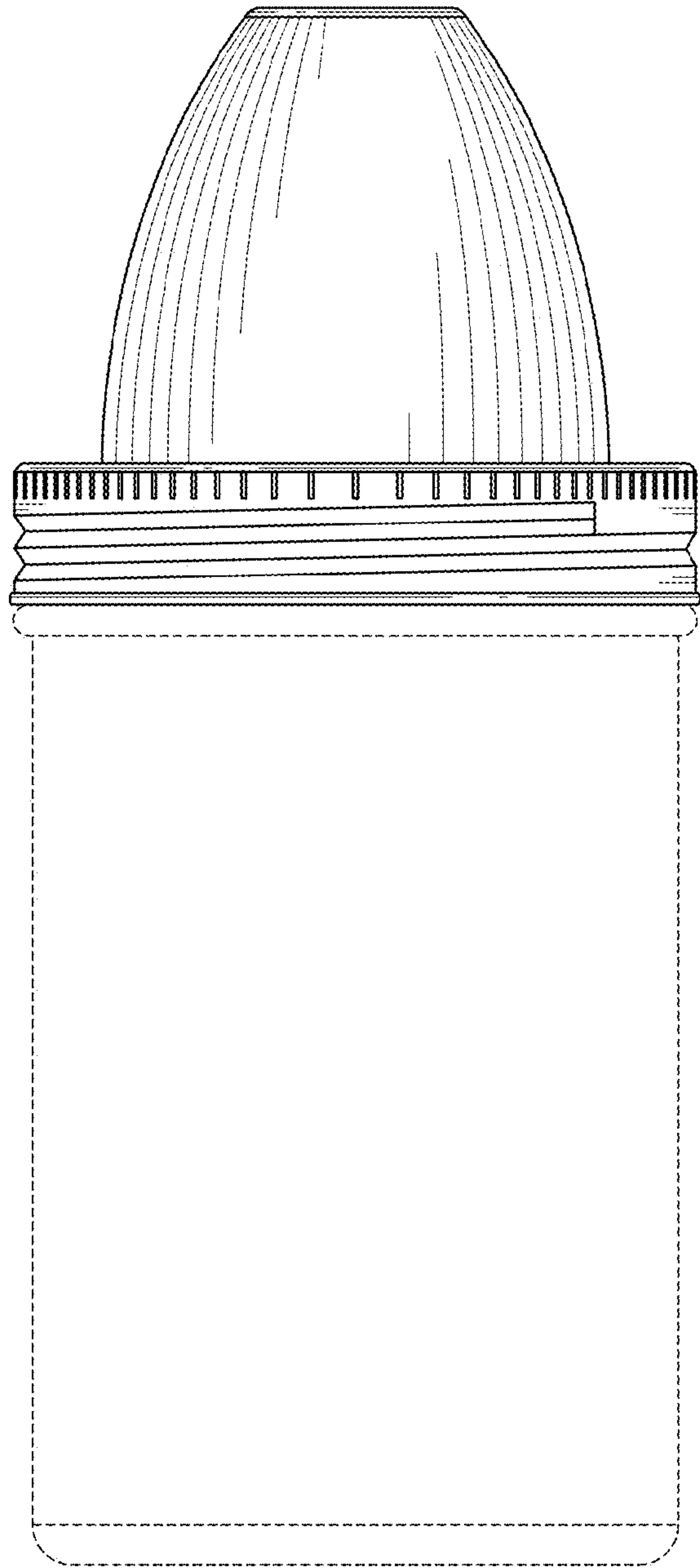


FIG. 5

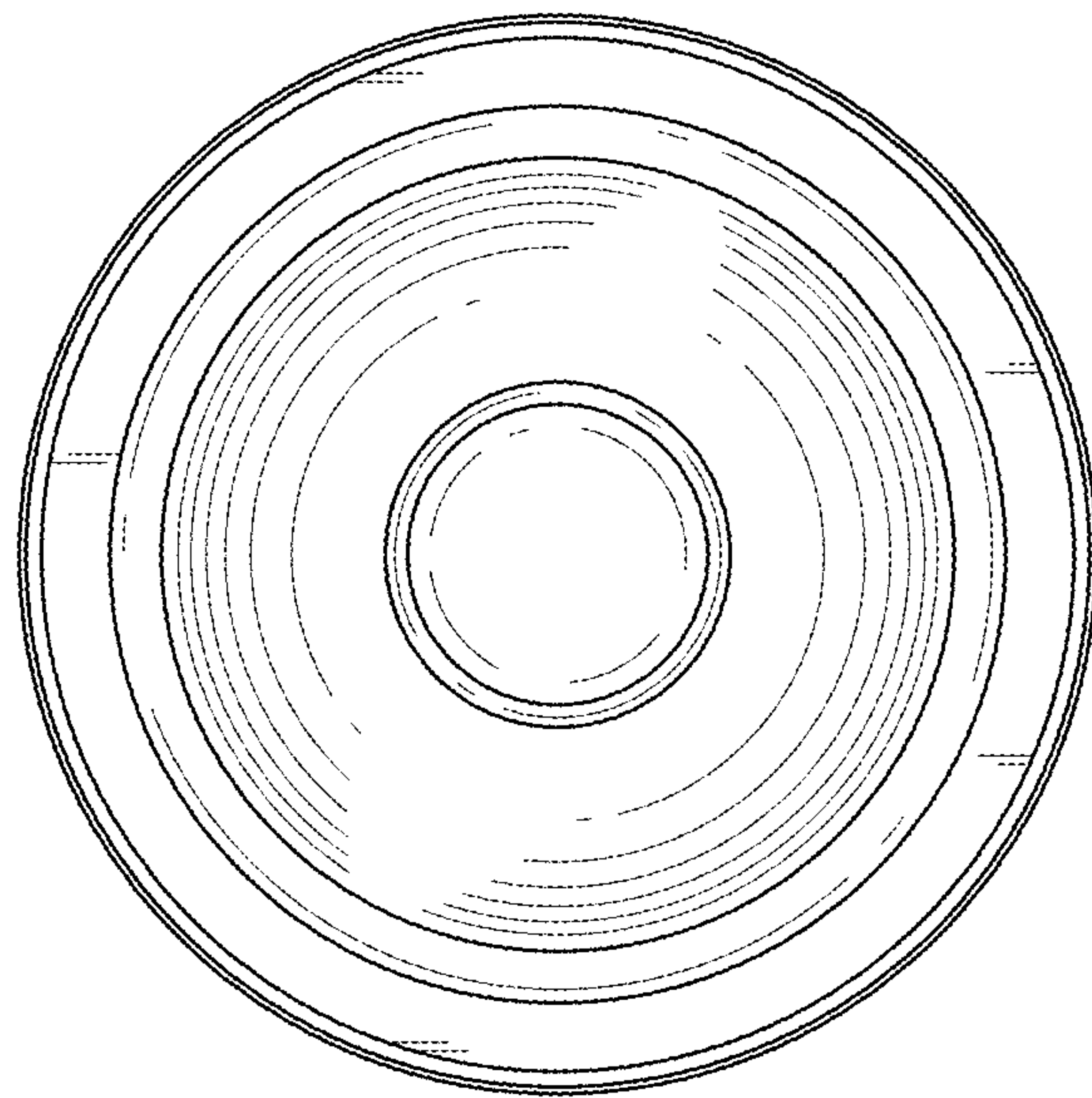


FIG. 6