



US00D934621S

(12) **United States Design Patent**
Seymour et al.

(10) **Patent No.:** **US D934,621 S**

(45) **Date of Patent:** **** Nov. 2, 2021**

(54) **EGG COOKER**

(71) Applicant: **National Presto Industries, Inc.**, Eau Claire, WI (US)

(72) Inventors: **Justun C. Seymour**, Eau Claire, WI (US); **Michael R. Berge**, Eau Claire, WI (US)

(73) Assignee: **National Presto Industries, Inc.**, Eau Claire, WI (US)

(**) Term: **15 Years**

(21) Appl. No.: **29/682,137**

(22) Filed: **Mar. 1, 2019**

(51) **LOC (13) Cl.** **07-02**

(52) **U.S. Cl.**
USPC **D7/357**

(58) **Field of Classification Search**
USPC D7/354, 355, 356, 357, 359, 501, 503, D7/505, 550.1, 553.1, 553.2, 553.6,
(Continued)

(56) **References Cited**

U.S. PATENT DOCUMENTS

D71,145 S 9/1926 Hobson et al.
D227,730 S 7/1973 Shull et al.
(Continued)

FOREIGN PATENT DOCUMENTS

JP 11079268 A * 3/1999

OTHER PUBLICATIONS

National Presto 04632 Electric Egg Cooker, announced Jul. 1, 2019 [online], retrieved Sep. 10, 2020, retrieved from internet, https://www.amazon.com/Presto-04632-Store-Electric-Cooker-04632/dp/B07TS4KQZ6?source=ps-sl-shoppingads-lpcontext&psc=1.*

(Continued)

Primary Examiner — Dana K Weiland
Assistant Examiner — Messina L Smith

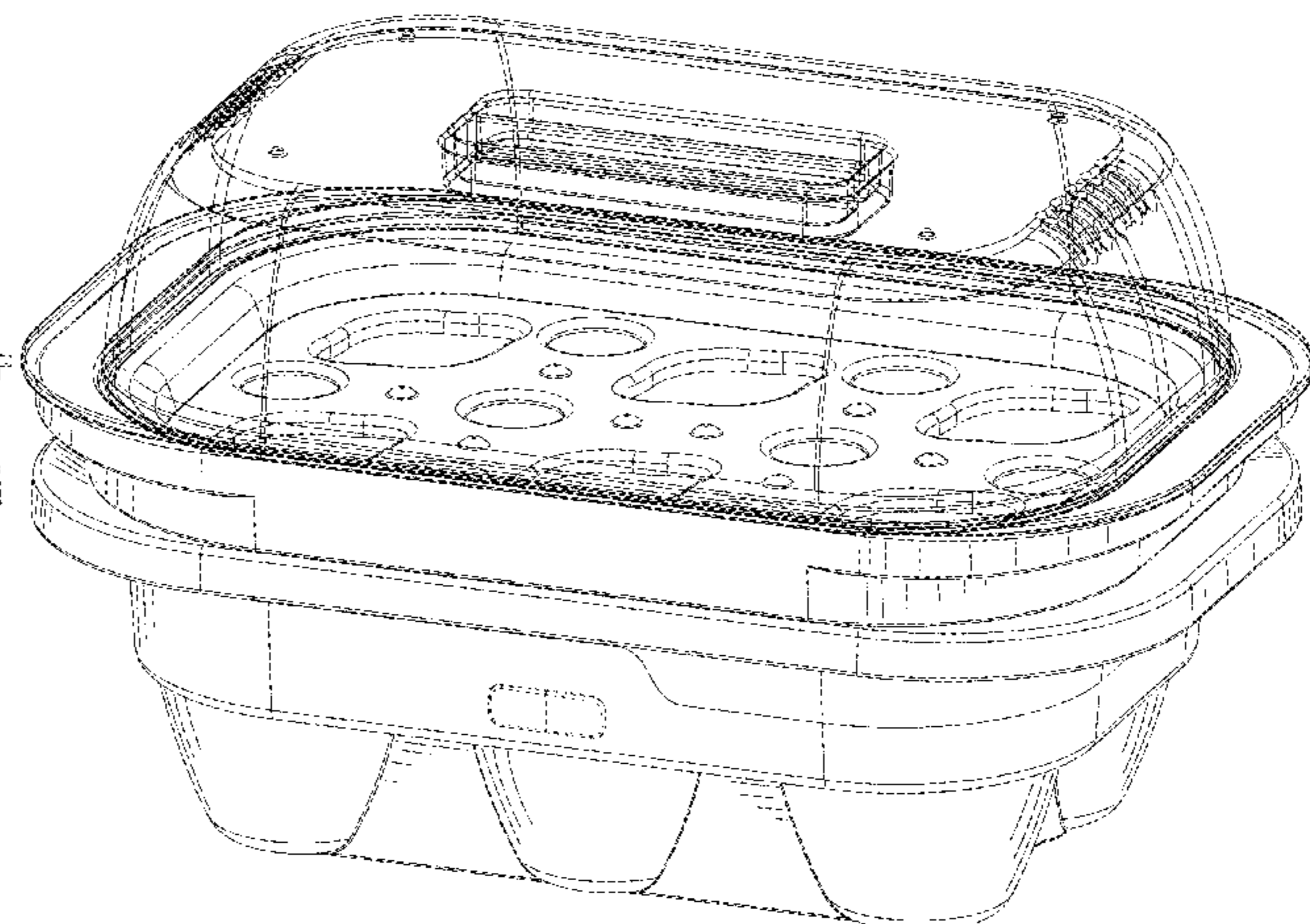
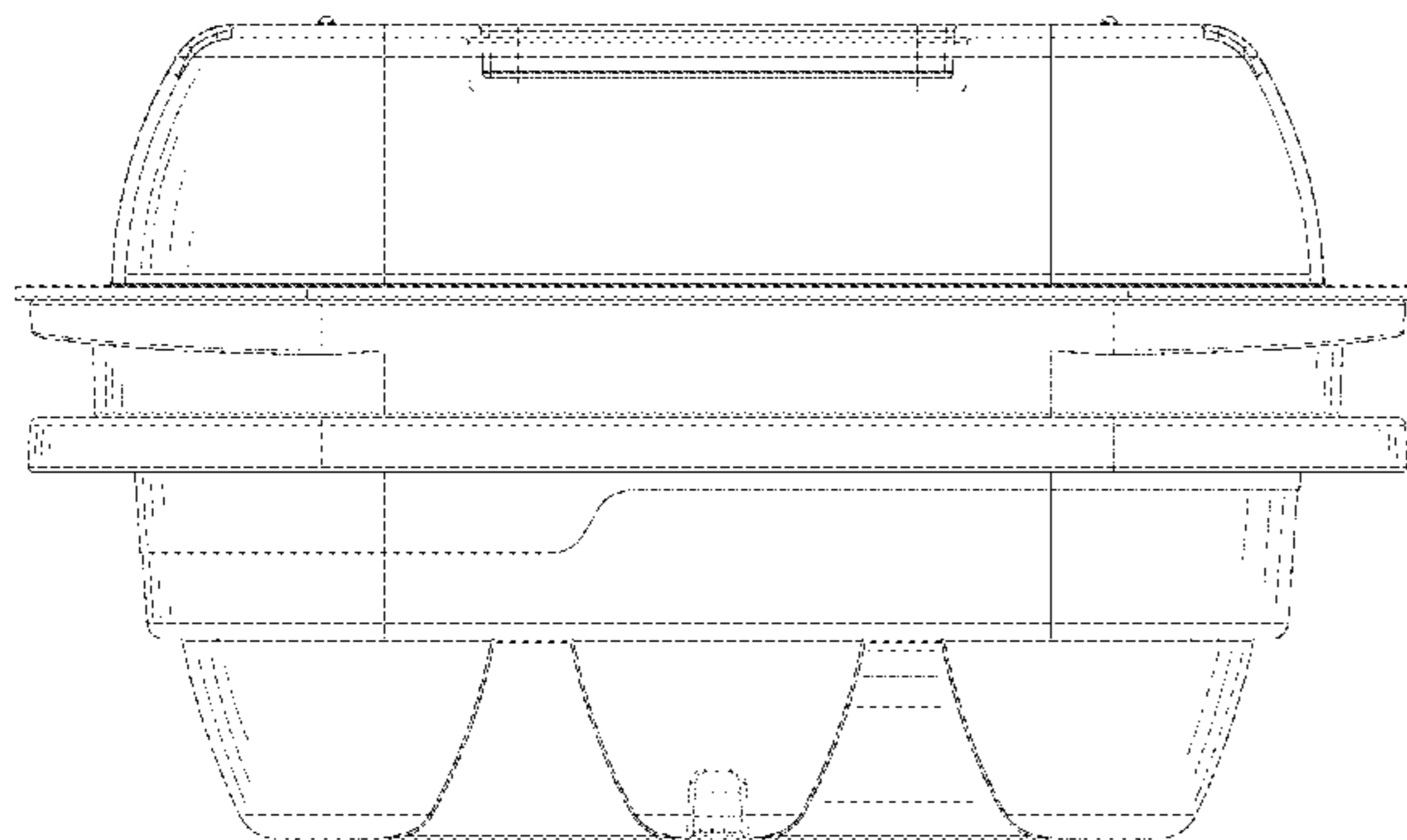
(57) **CLAIM**

The ornamental design for an egg cooker, as shown and described.

DESCRIPTION

FIG. 1 is a front view of a egg cooker showing the new design;
FIG. 2 is a left side view thereof;
FIG. 3 is a rear view thereof;
FIG. 4 is a right side view thereof;
FIG. 5 is a top view thereof;
FIG. 6 is a bottom view thereof;
FIG. 7 is a top perspective view thereof;
FIG. 8 is a front view of the lid of the egg cooker, shown separately to show aspects of the design that are not visible when combined;
FIG. 9 is a rear view thereof;
FIG. 10 is a top view thereof;
FIG. 11 is a bottom side view thereof;
FIG. 12 is a left side view thereof;
FIG. 13 is a right side view thereof;
FIG. 14 is a top perspective view thereof;
FIG. 15 is a bottom view of the tray of the a egg cooker, shown separately to show aspects of the design that are not visible when combined;
FIG. 16 is a top view thereof;
FIG. 17 is a front view thereof;
FIG. 18 is a rear view thereof;
FIG. 19 is a left side view thereof;
FIG. 20 is a right side view thereof;
FIG. 21 is a top perspective view thereof;
FIG. 22 is a front view of the base of the egg cooker, shown separately to show aspects of the design that are not visible when combined;
FIG. 23 is a rear view thereof;
FIG. 24 is a top view thereof;
FIG. 25 is a bottom view thereof;
FIG. 26 is a left side view thereof;
FIG. 27 is a right side view thereof; and,
FIG. 28 is a top perspective view thereof.

(Continued)



The broken lines in the drawings depict portions of the egg cooker that form no part of the claimed design.

1 Claim, 28 Drawing Sheets

(58) **Field of Classification Search**

USPC D7/553.7, 553.8, 554.1, 554.2, 554.3,
D7/554.4, 753; D3/304; D9/736, 749,
D9/755, 758, 760, 456; D1/105, 124
CPC .. A47J 29/00; A47J 29/02; A47J 29/04; A47J
29/06; A47J 27/004; A47J 36/027; A01K
41/06; A01K 41/065; B65D 85/32; B65D
85/321; B65D 85/322; B65D 85/324;
B65G 2201/2208; A47G 19/282; F25D
2331/807

See application file for complete search history.

(56) **References Cited**

U.S. PATENT DOCUMENTS

D323,424 S * 1/1992 Beiler D7/357
D436,286 S 1/2001 Lin

D484,796 S * 1/2004 Buckley D9/757
D491,463 S * 6/2004 Zelina D9/757
D553,902 S * 10/2007 Barber D7/357
D656,843 S * 4/2012 Schleining D9/757
D716,153 S * 10/2014 Bodmer D9/757
D750,443 S * 3/2016 Kraemer D7/611
D788,601 S * 6/2017 Muhlemann D9/762
D802,444 S * 11/2017 Schleining D9/762
D804,965 S * 12/2017 Schleining D9/762
D815,883 S * 4/2018 Parrish D7/357
D826,644 S * 8/2018 Bergeron D7/553.1
D853,794 S * 7/2019 Bergeron D7/553.2
D853,795 S * 7/2019 Bergeron D7/553.2
D871,930 S * 1/2020 Kuruvilla D9/762
2020/0198879 A1 * 6/2020 Schein B65D 85/324

OTHER PUBLICATIONS

Presto easy store electric 6 Egg Cooker, announced Sep. 11, 2019 [online], retrieved Sep. 10, 2020, retrieved from internet, <https://www.walmart.com/ip/Presto-easy-store-electric-6-Egg-Cooker-04632/471857617>.*

Cuisinart Instruction and Recipe Booklet, Egg Cooker CEC-7, 12 pages.

* cited by examiner

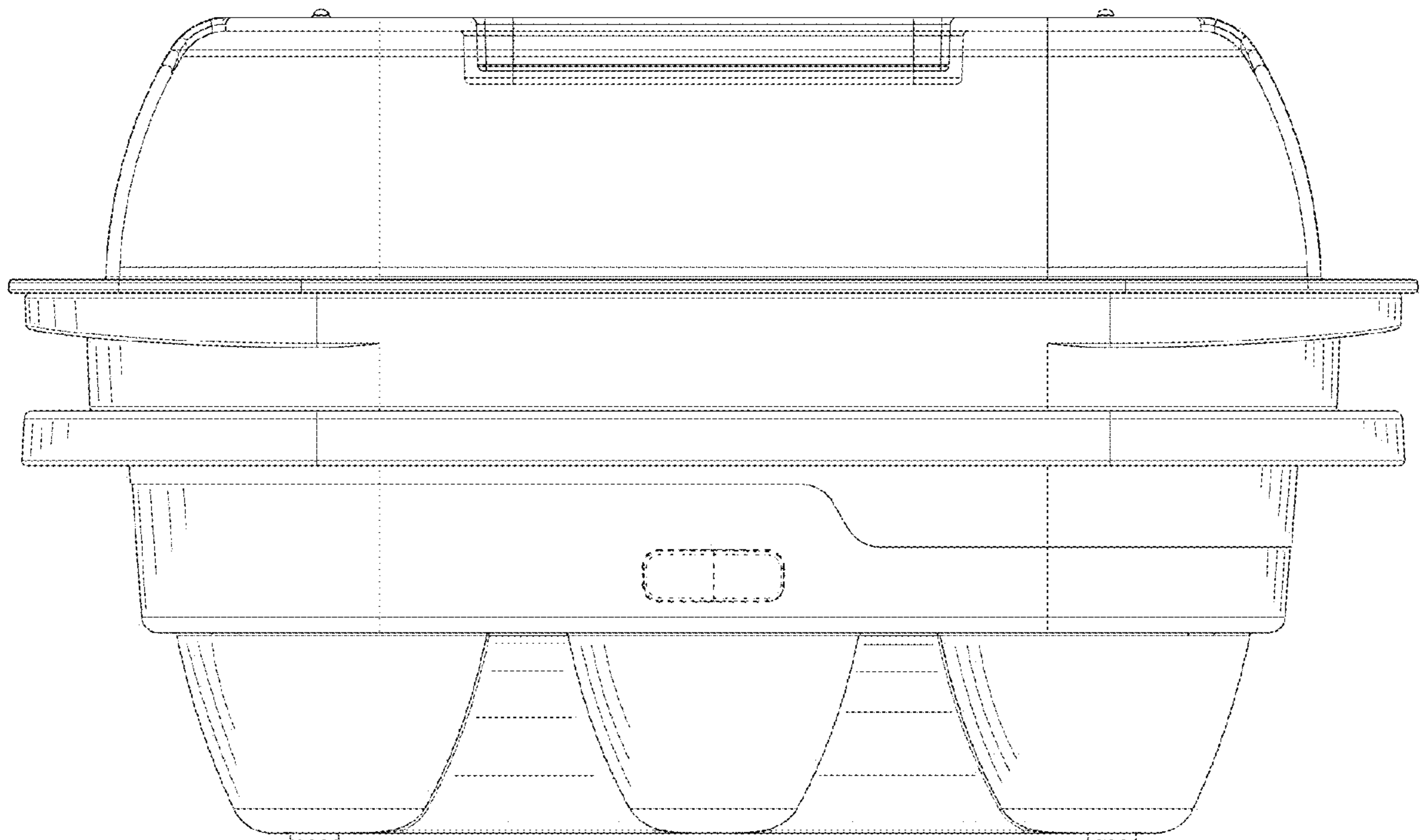


Fig. 1

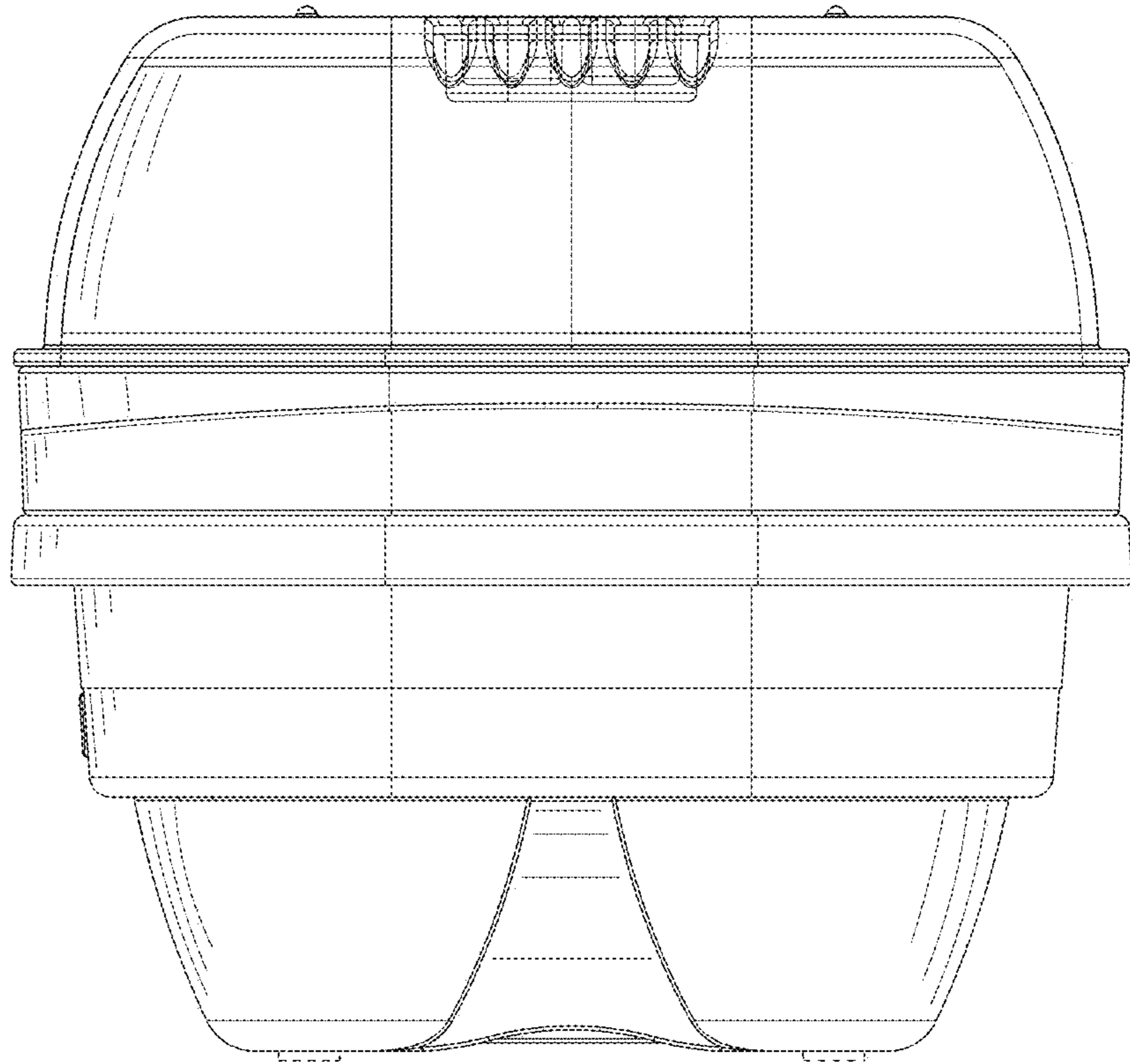


Fig. 2

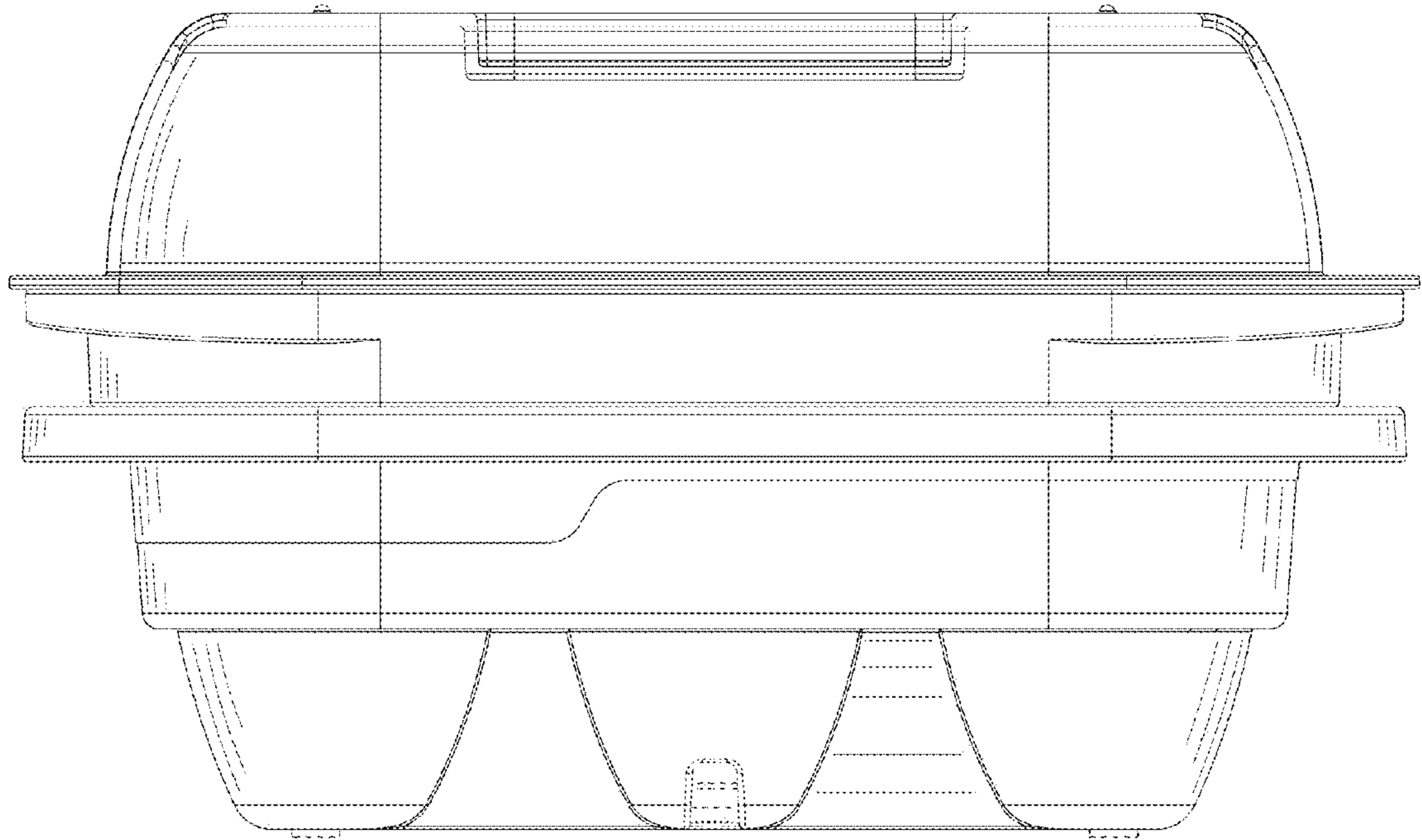


Fig. 3

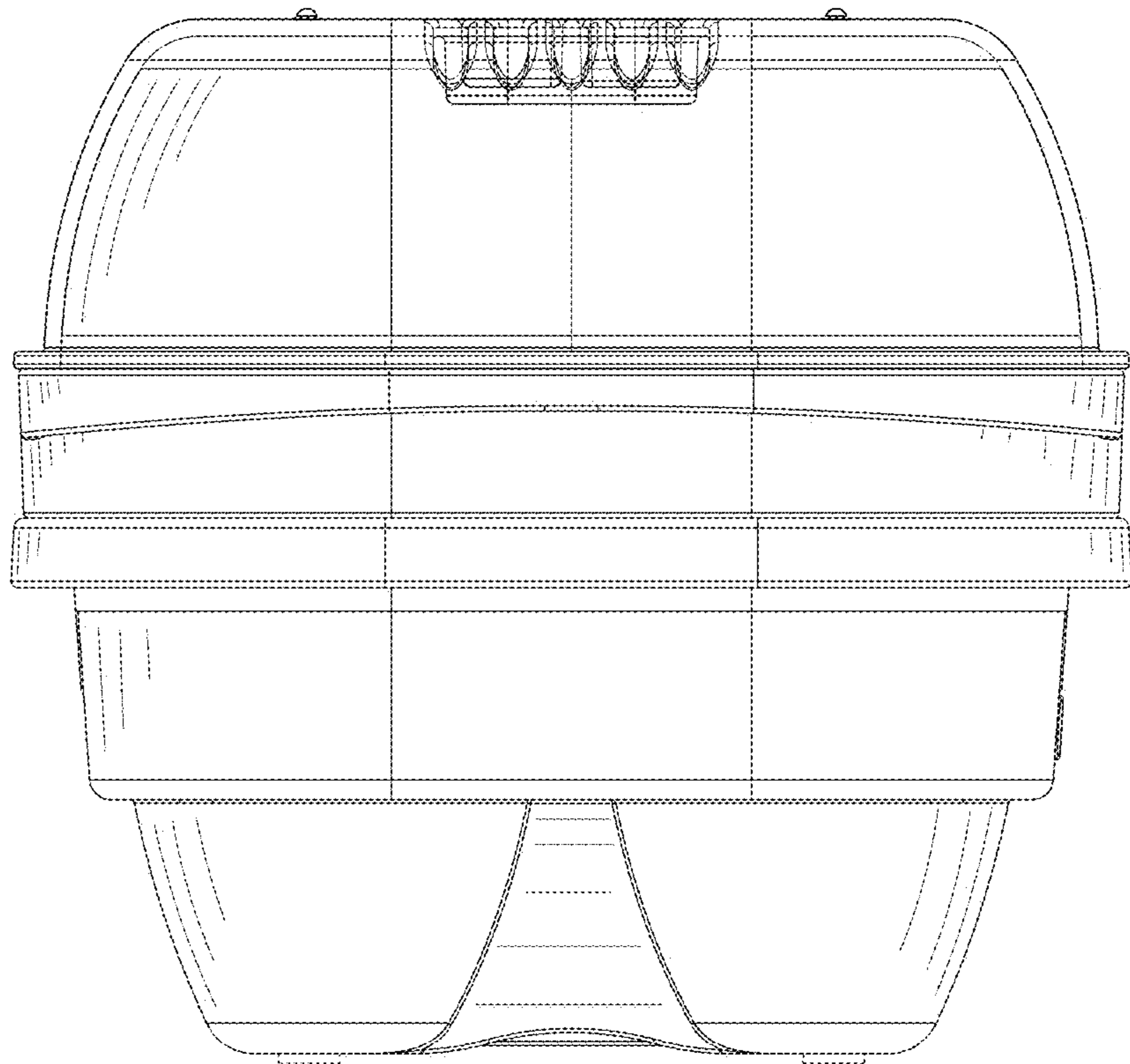


Fig. 4

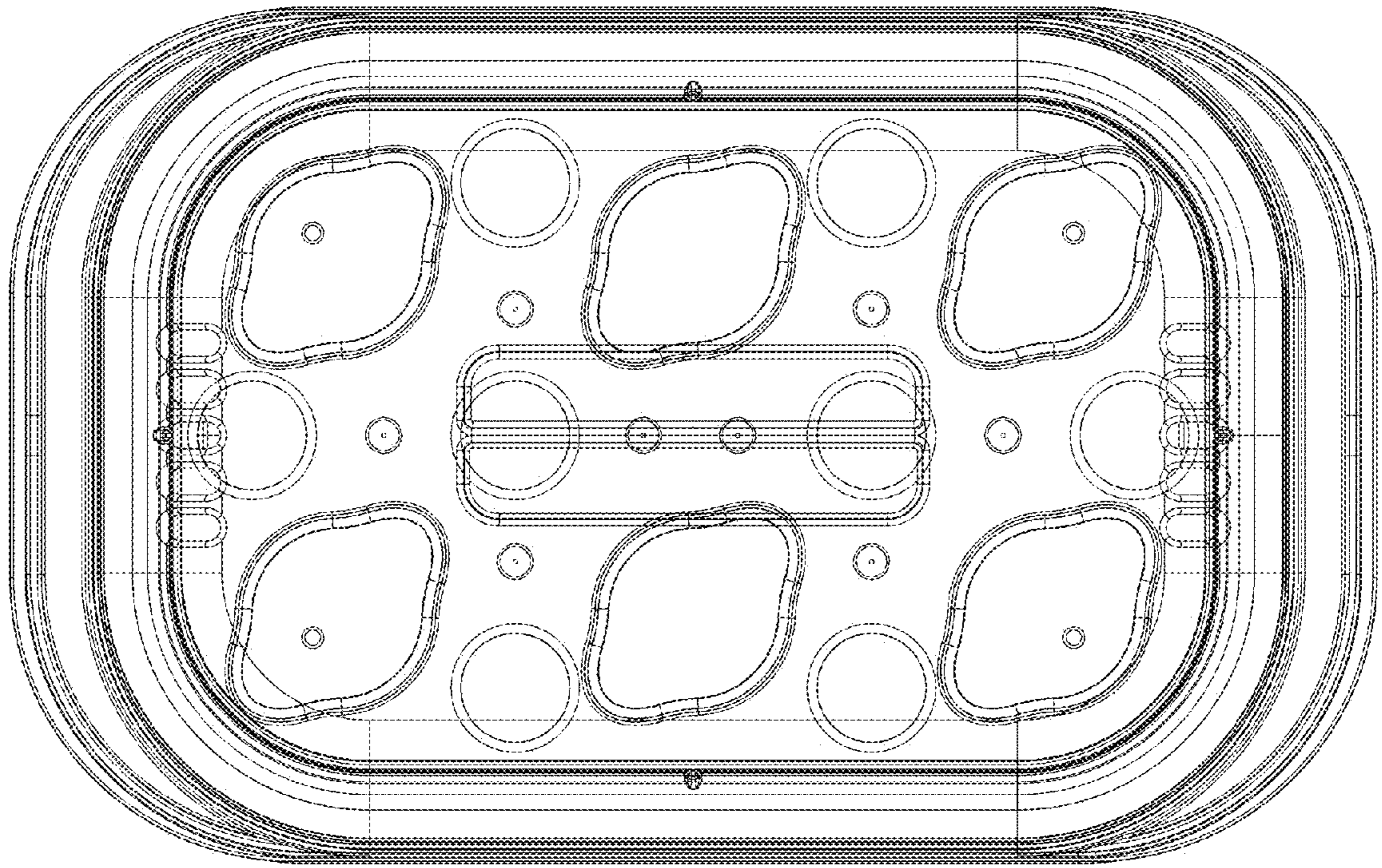


Fig. 5

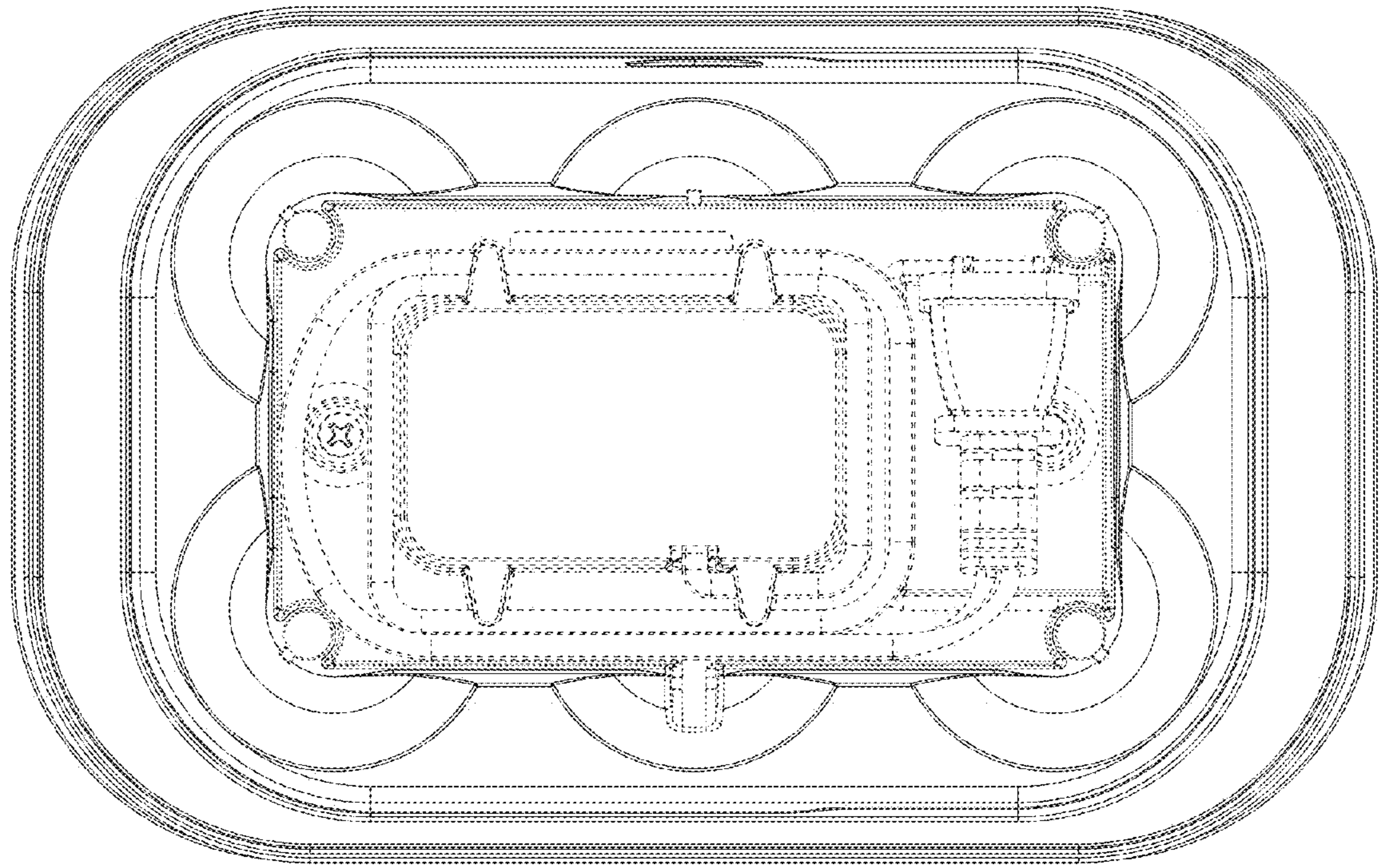


Fig. 6

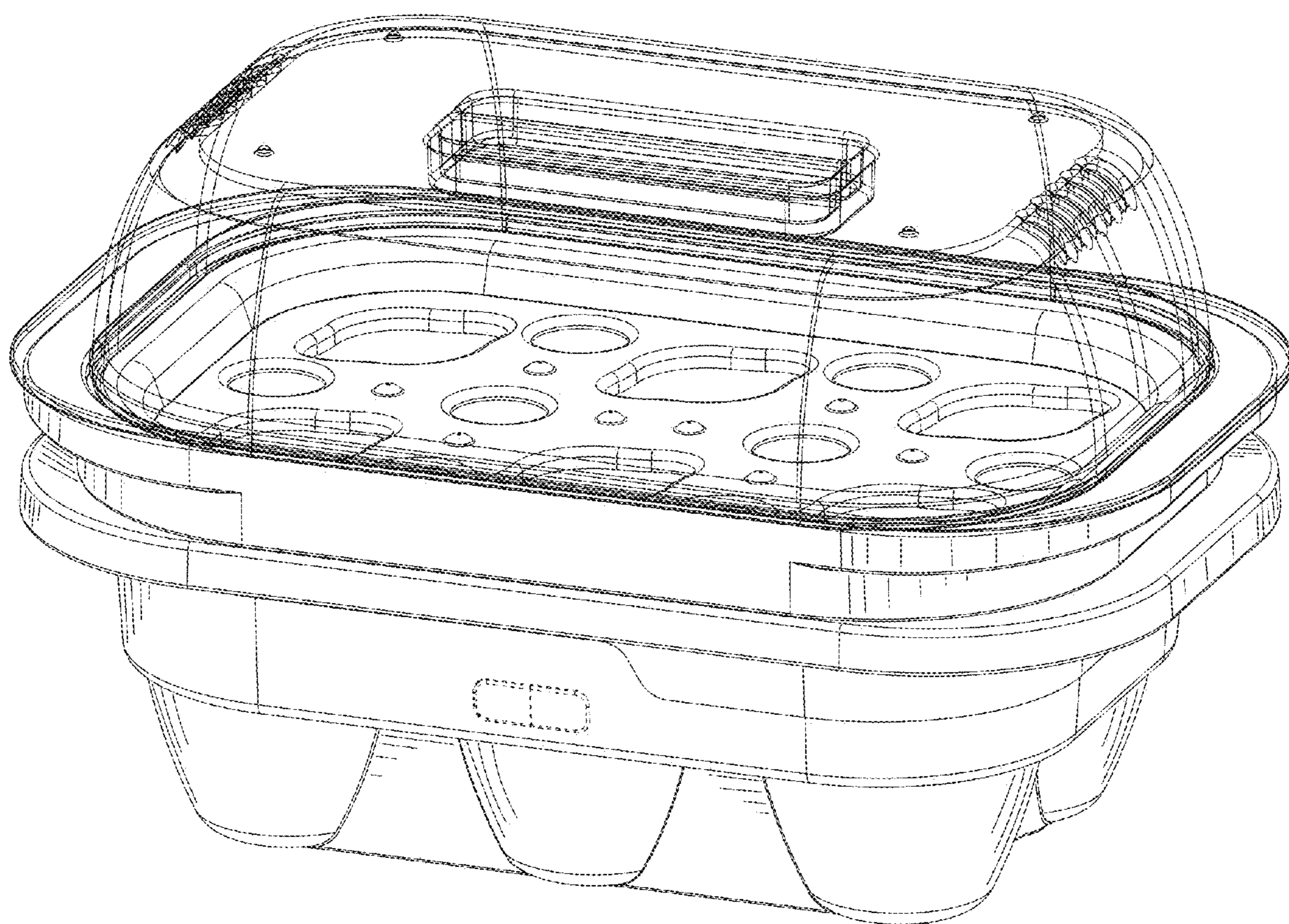


Fig. 7

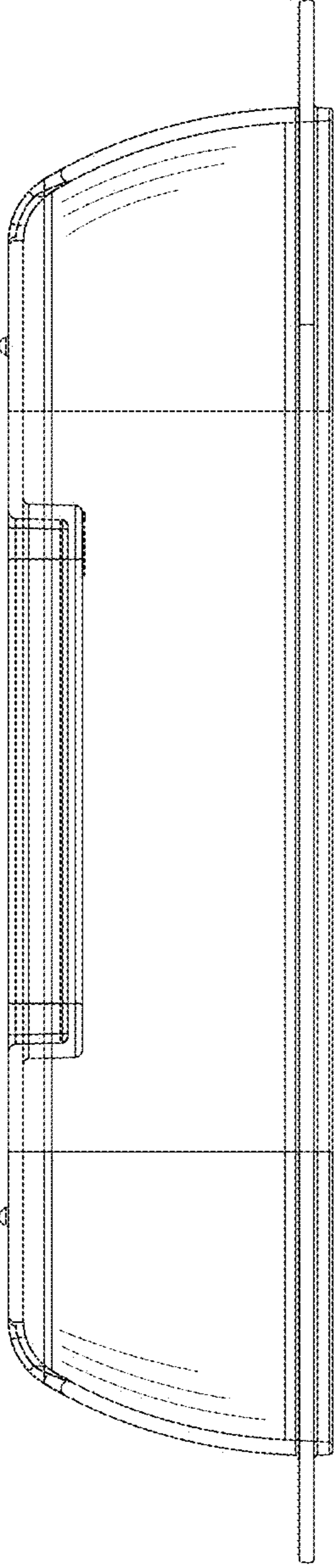


FIG. 8

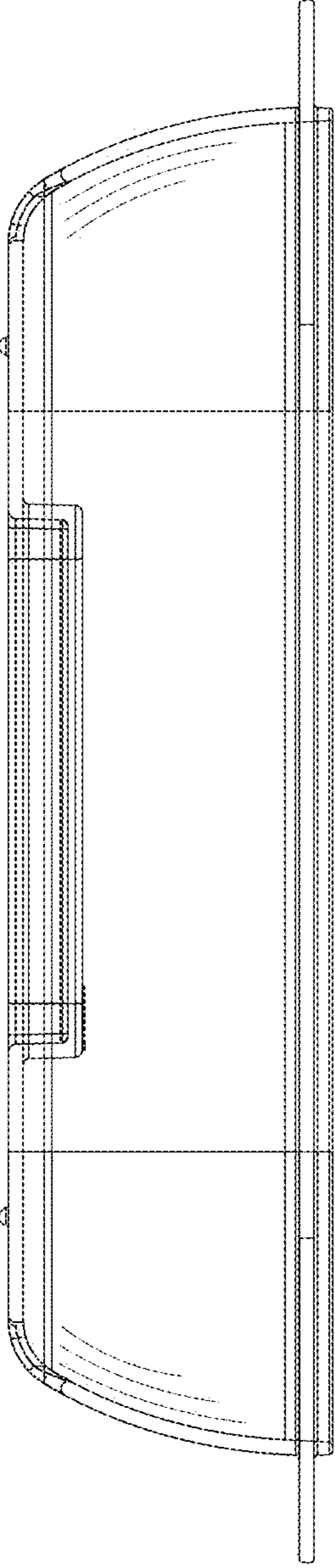


FIG. 9

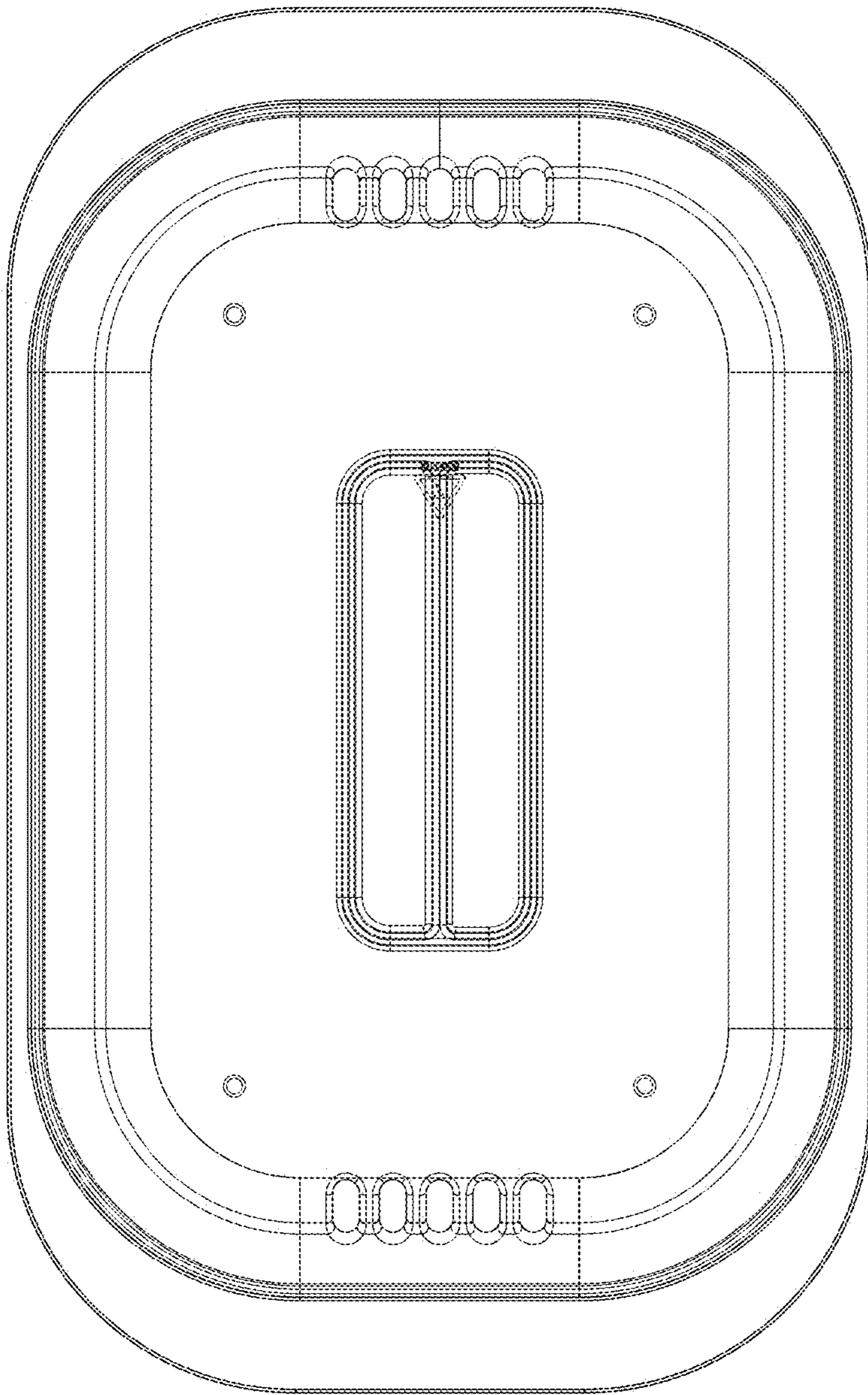


FIG. 10

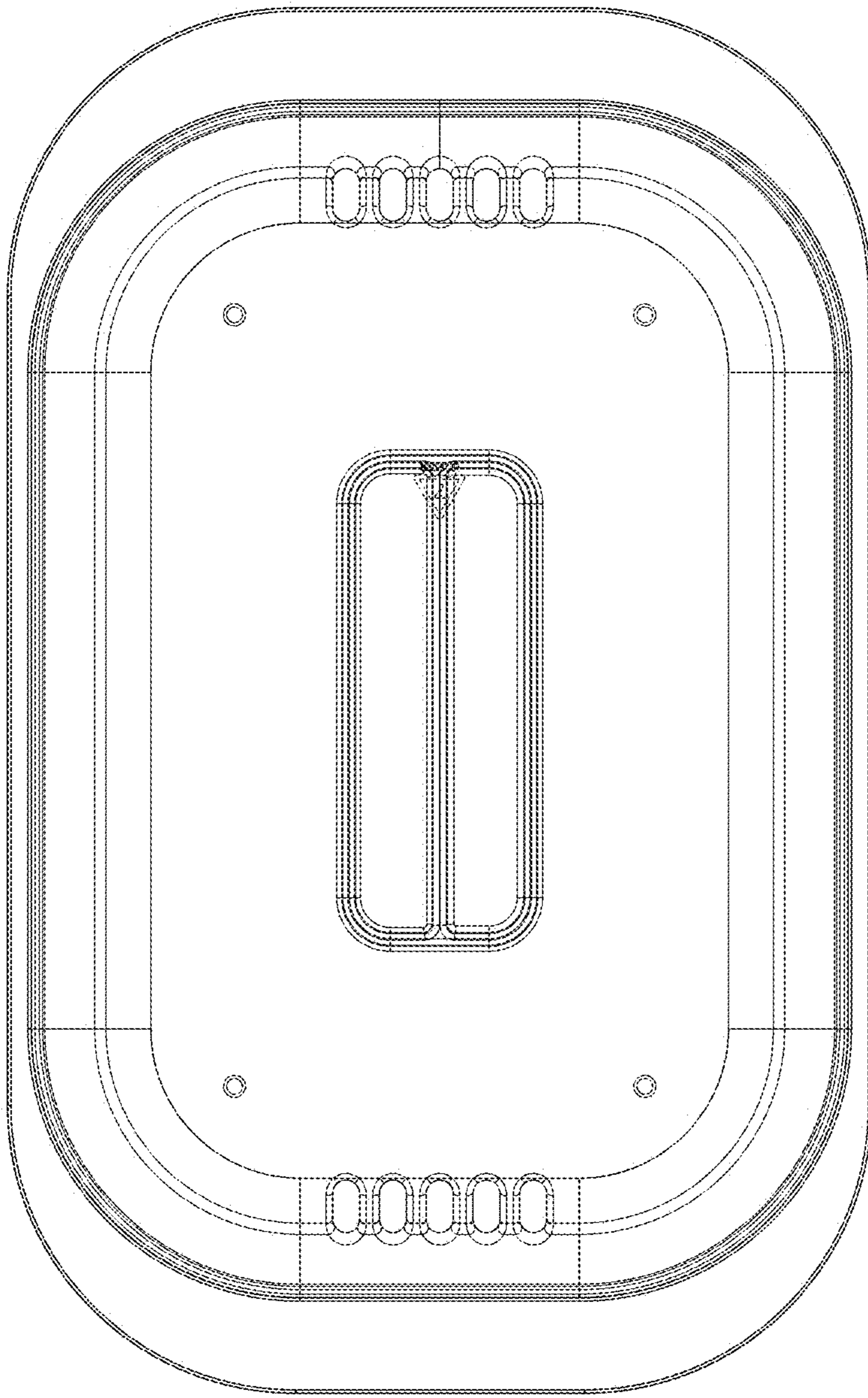


FIG. 11

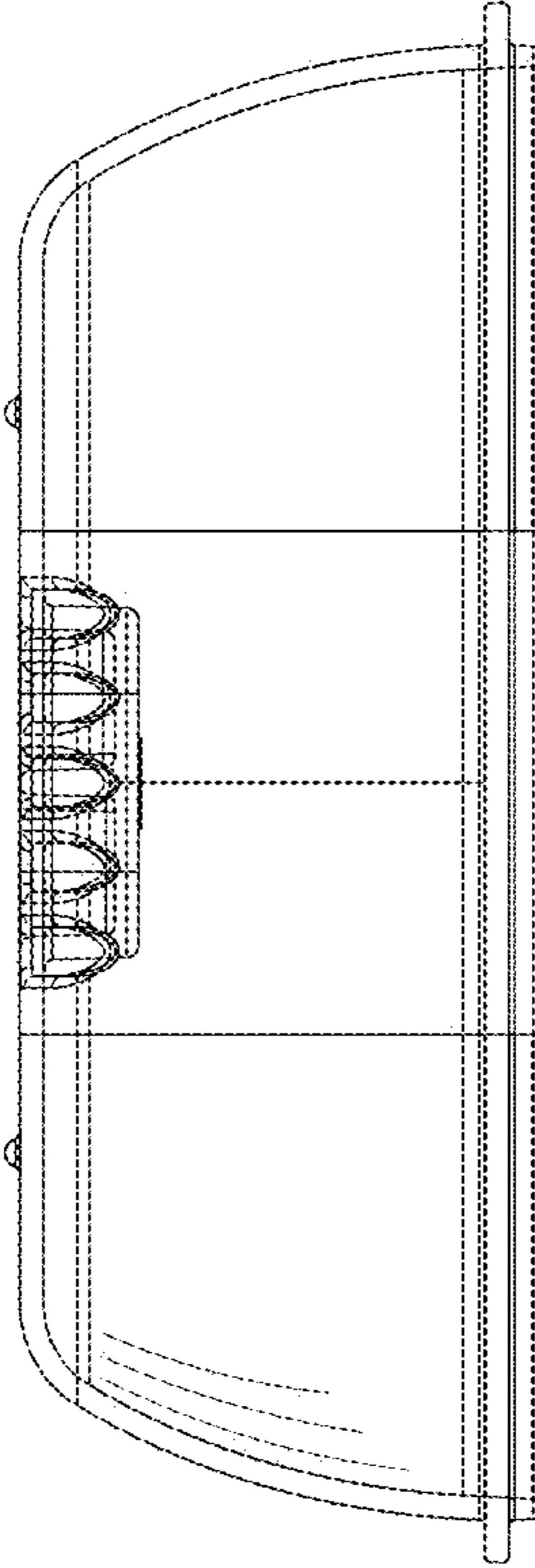


FIG. 12

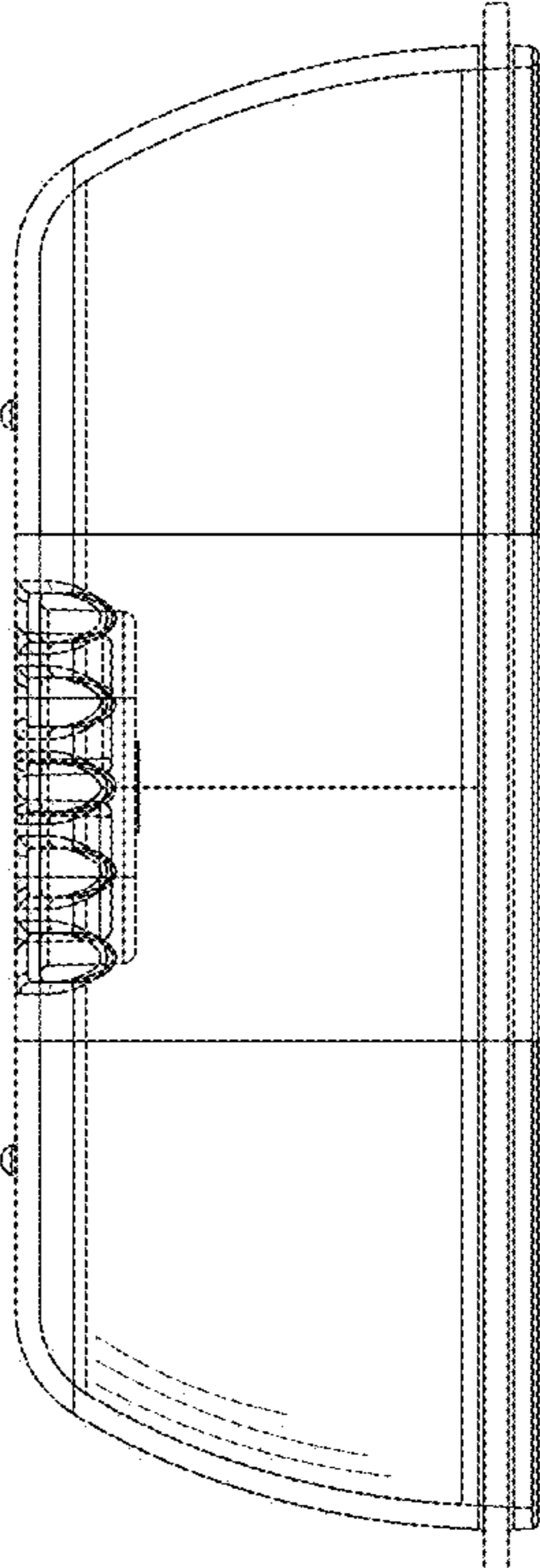


FIG. 13

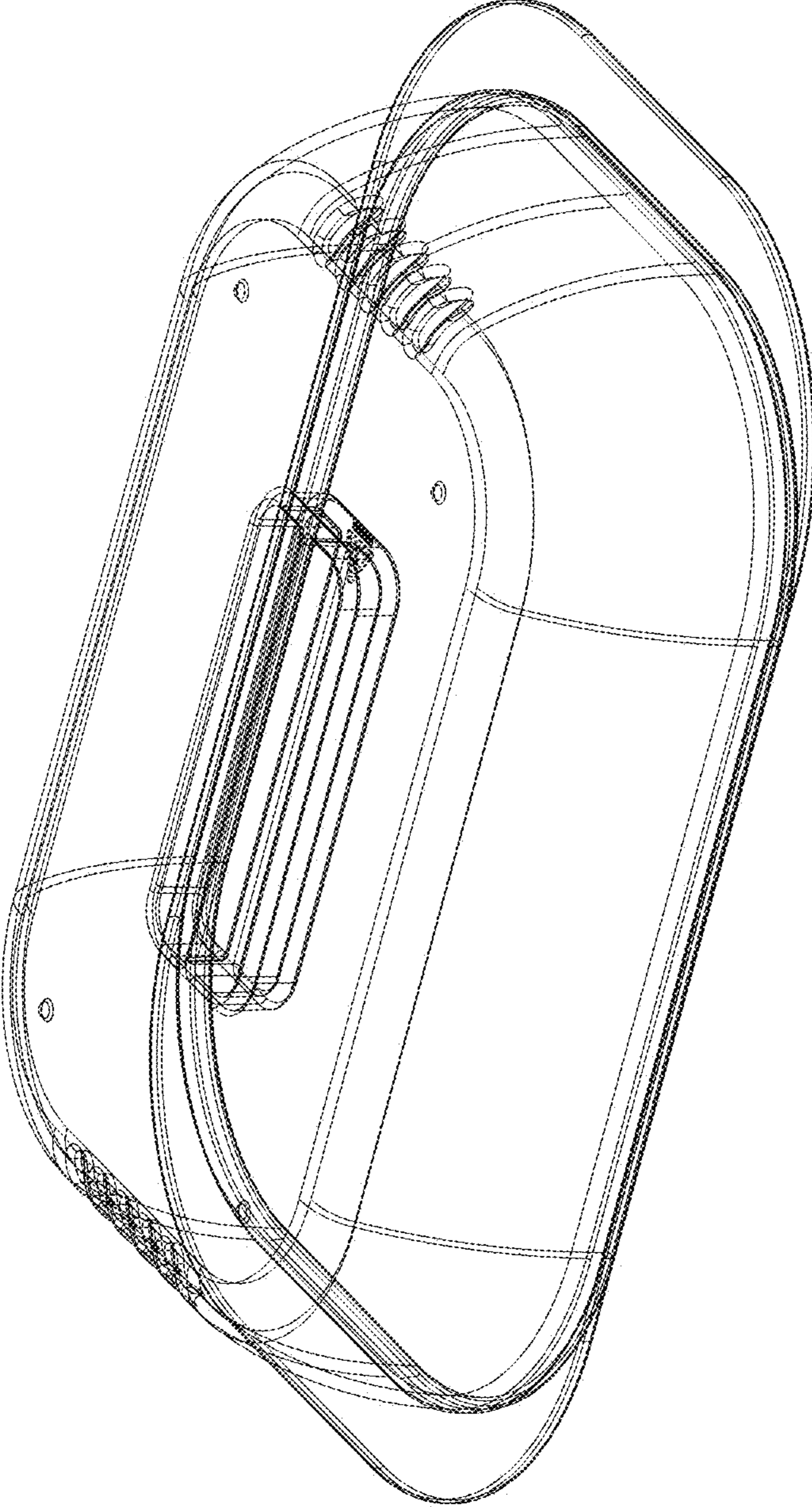


FIG. 14

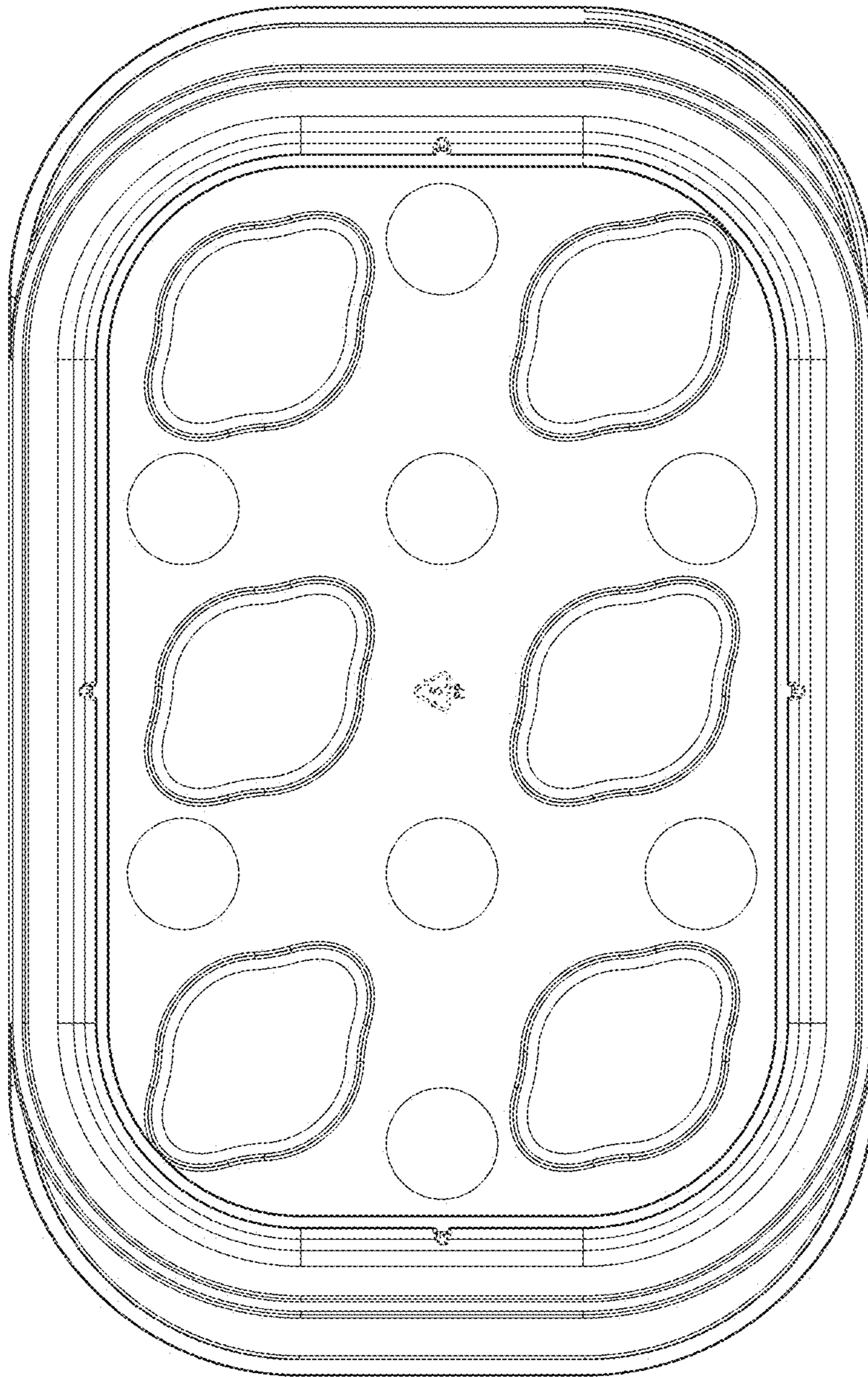


FIG. 15

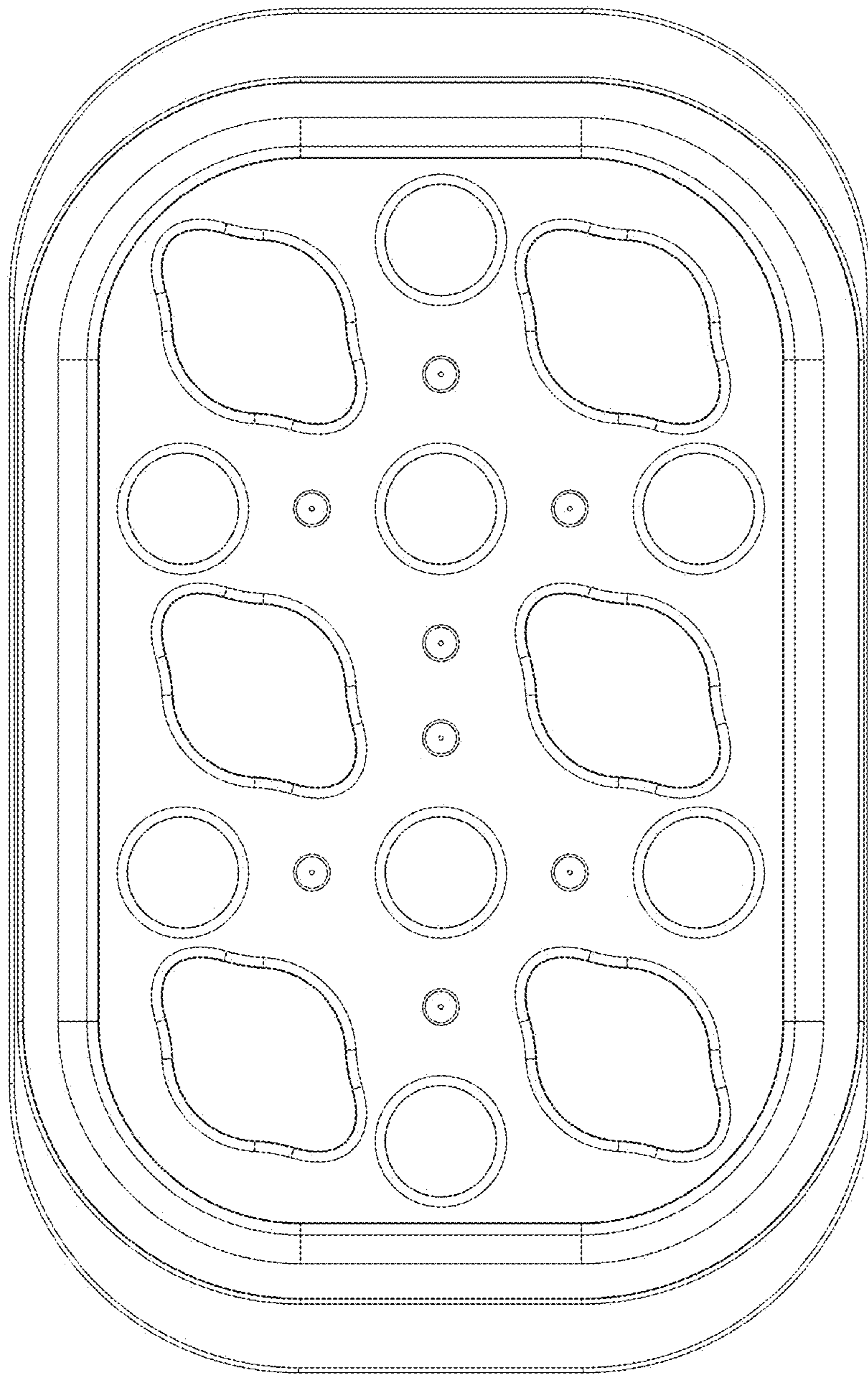


FIG. 16

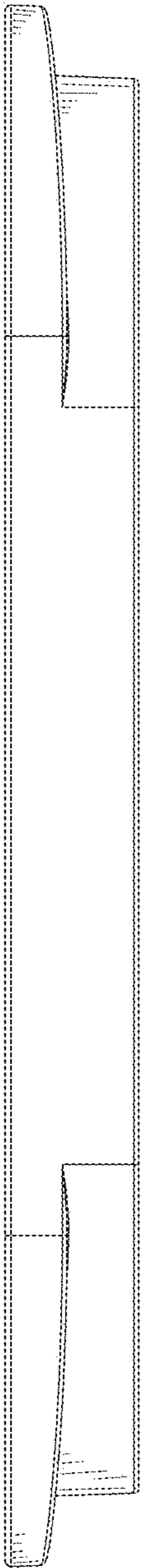


FIG. 17

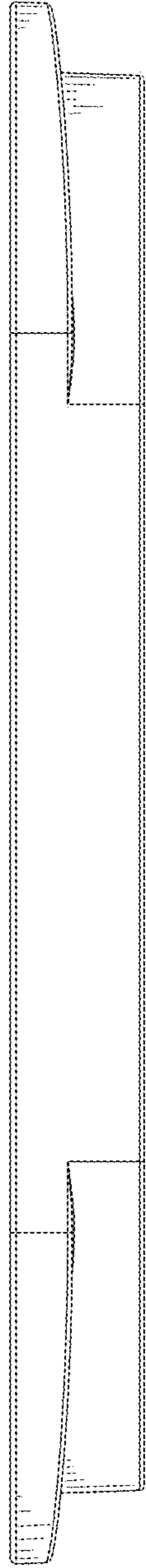


FIG. 18

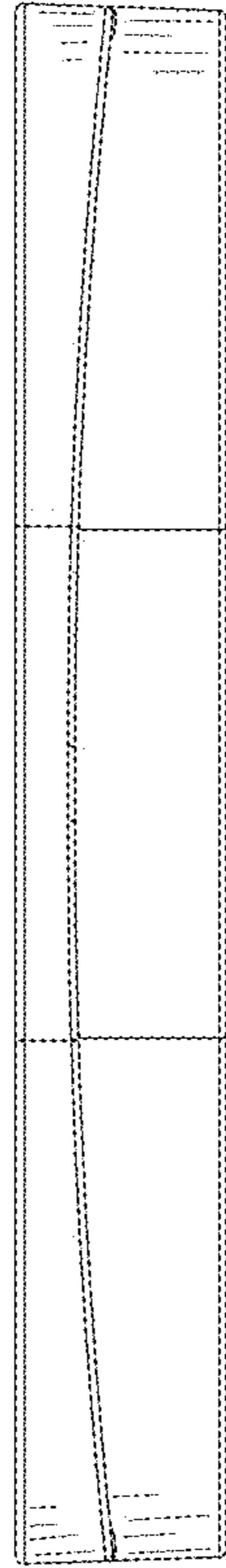


FIG. 19

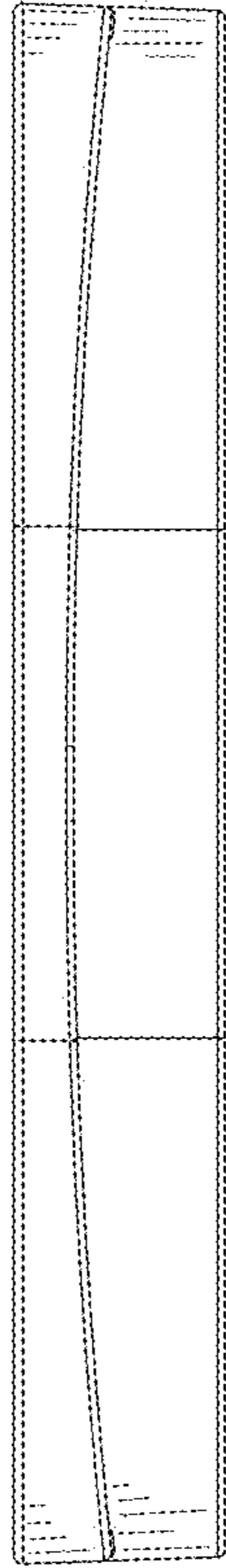


FIG. 20

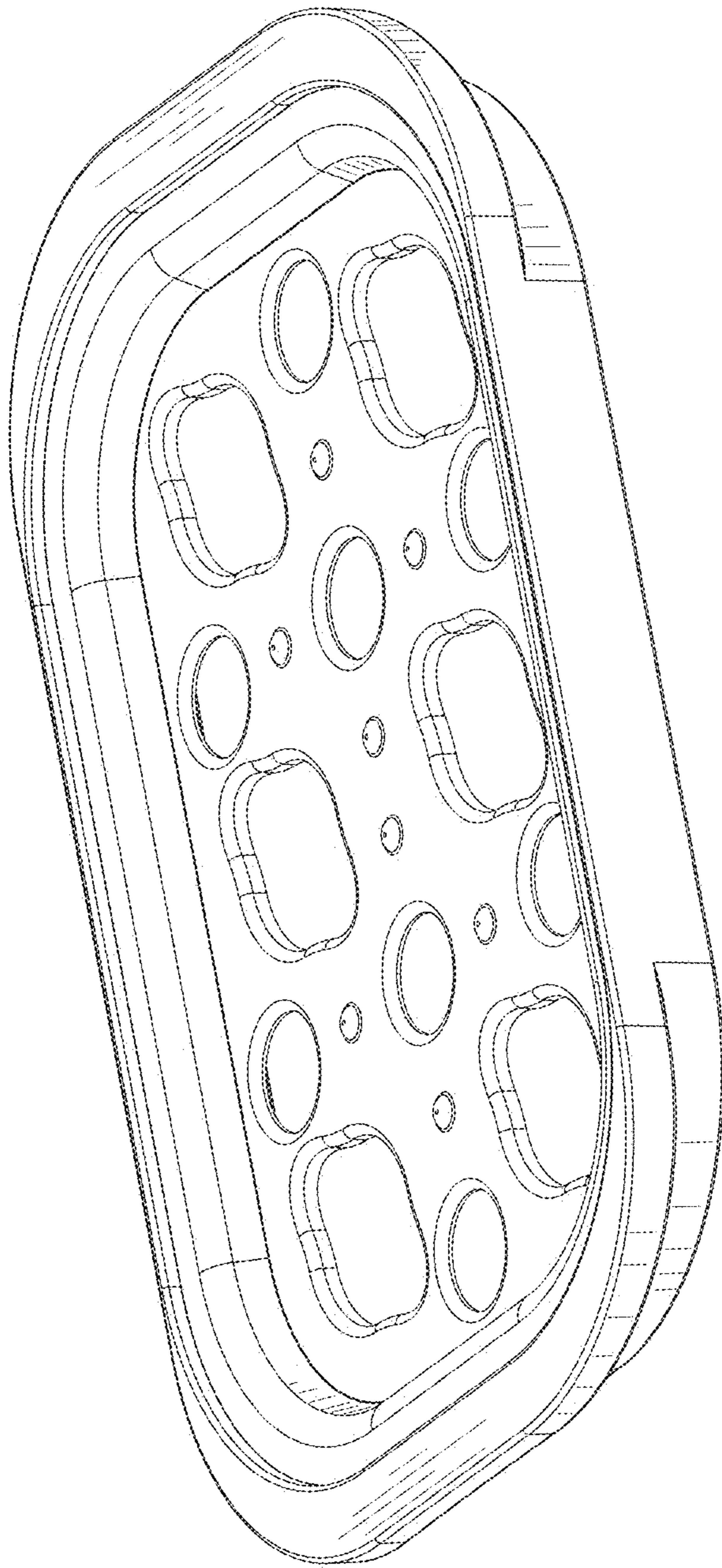


FIG. 21

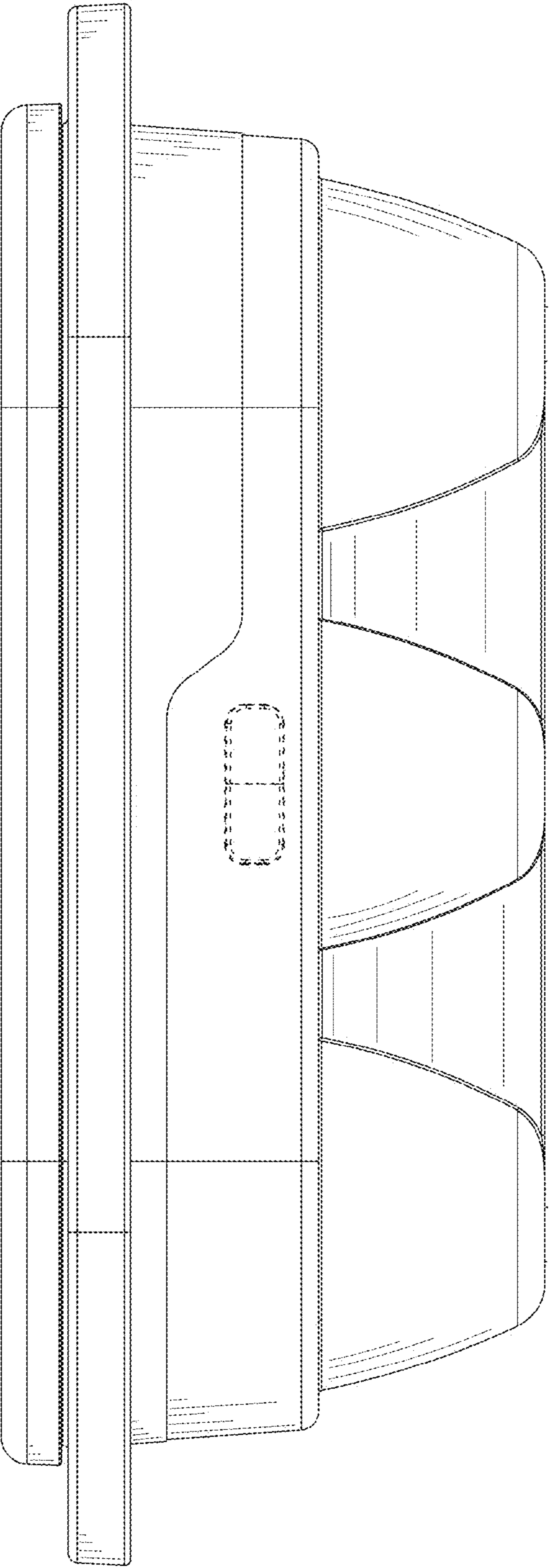


FIG. 22

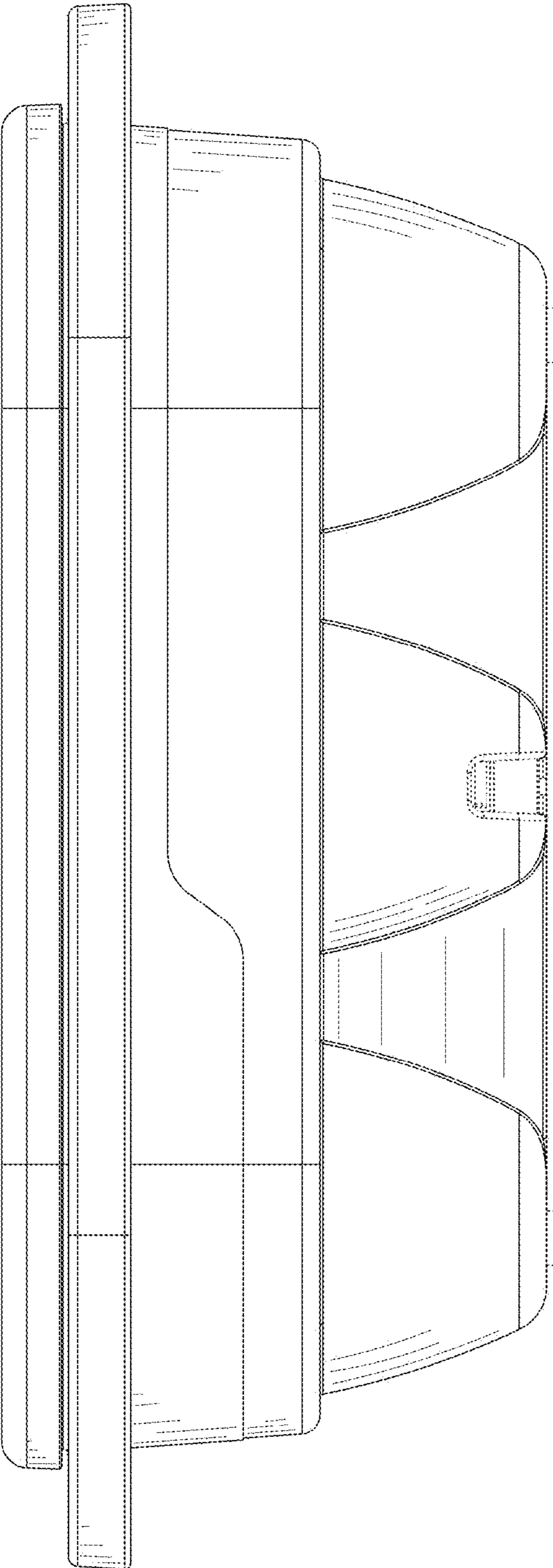


FIG. 23

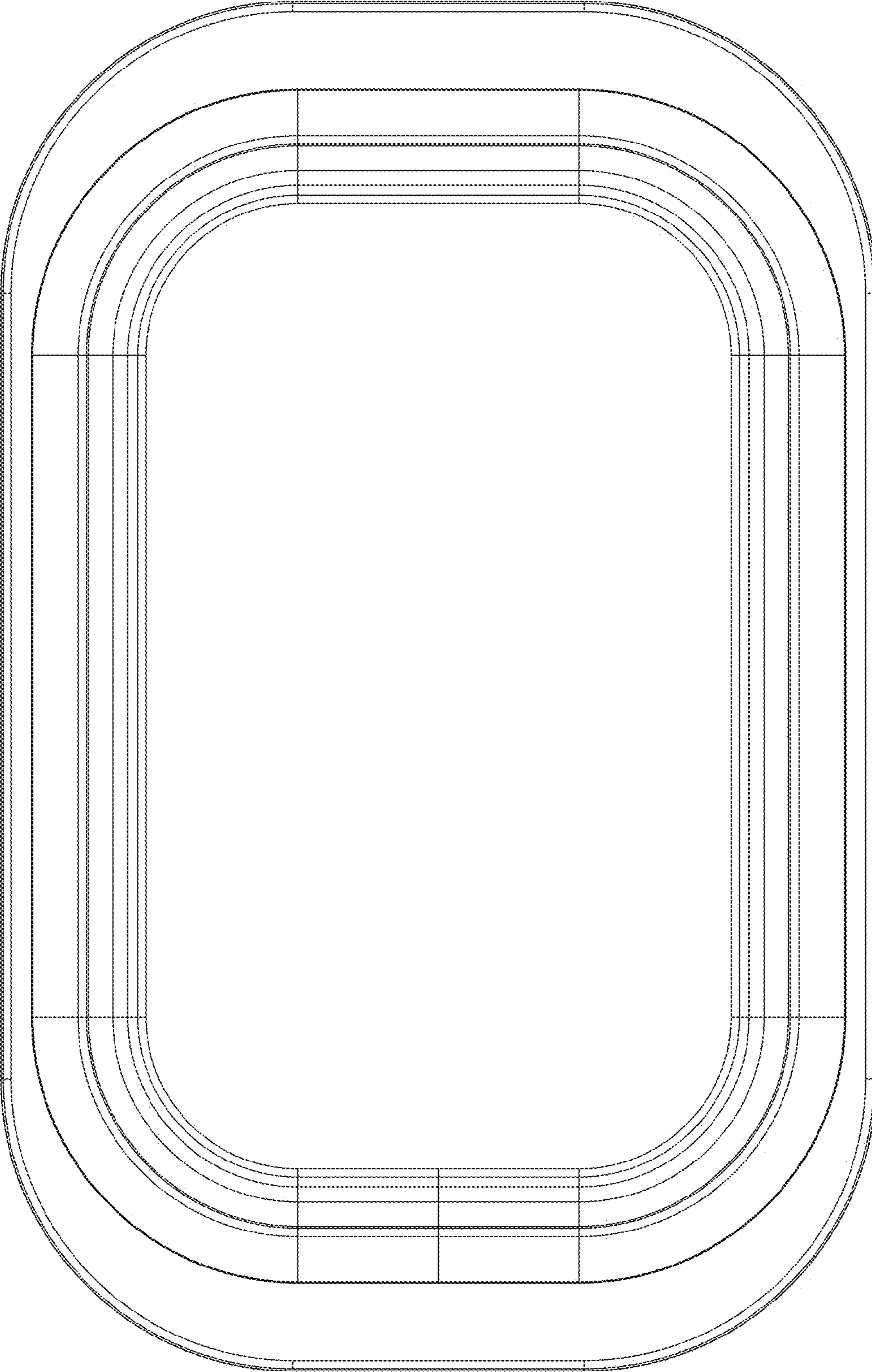


FIG. 24

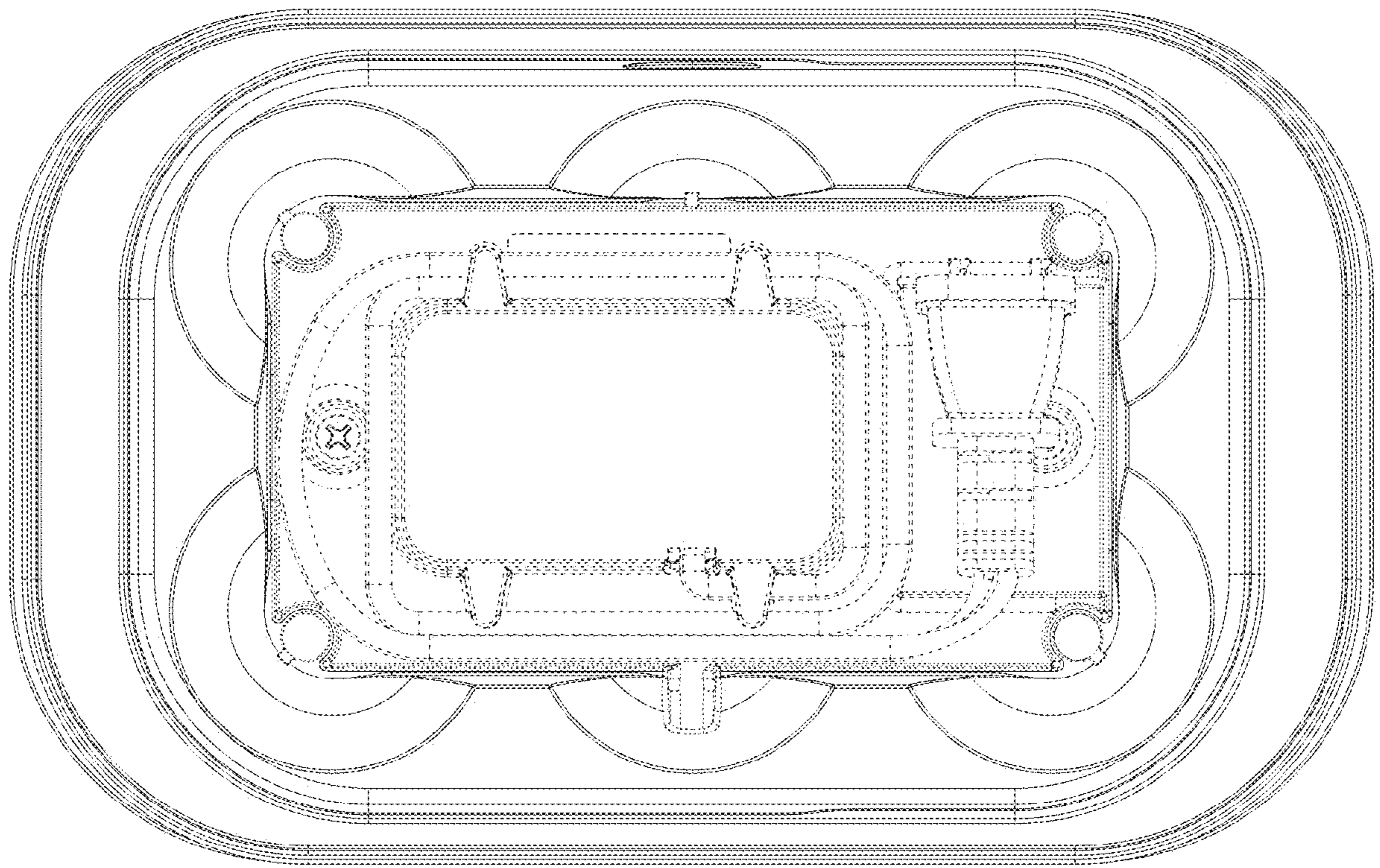


FIG. 25

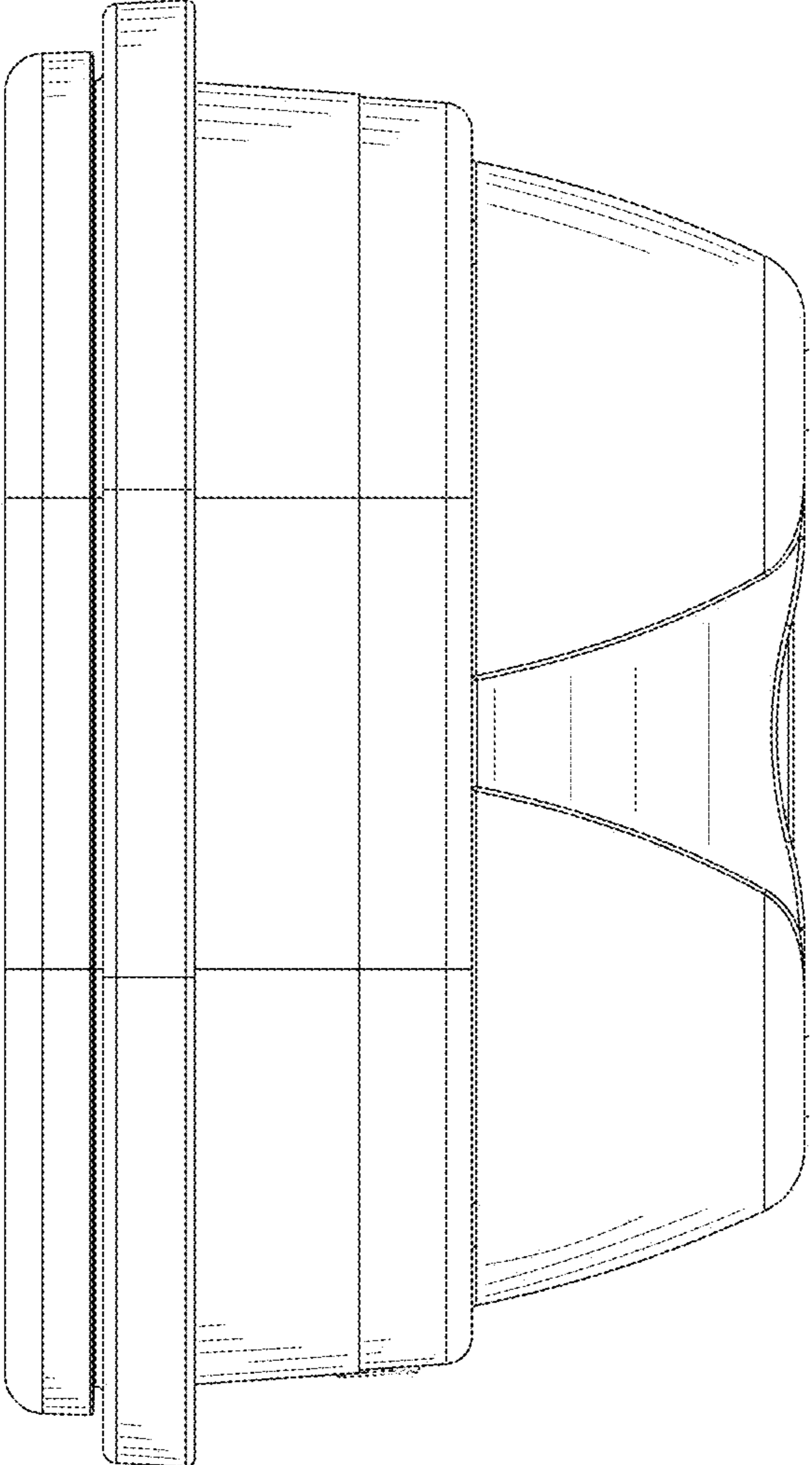


FIG. 26

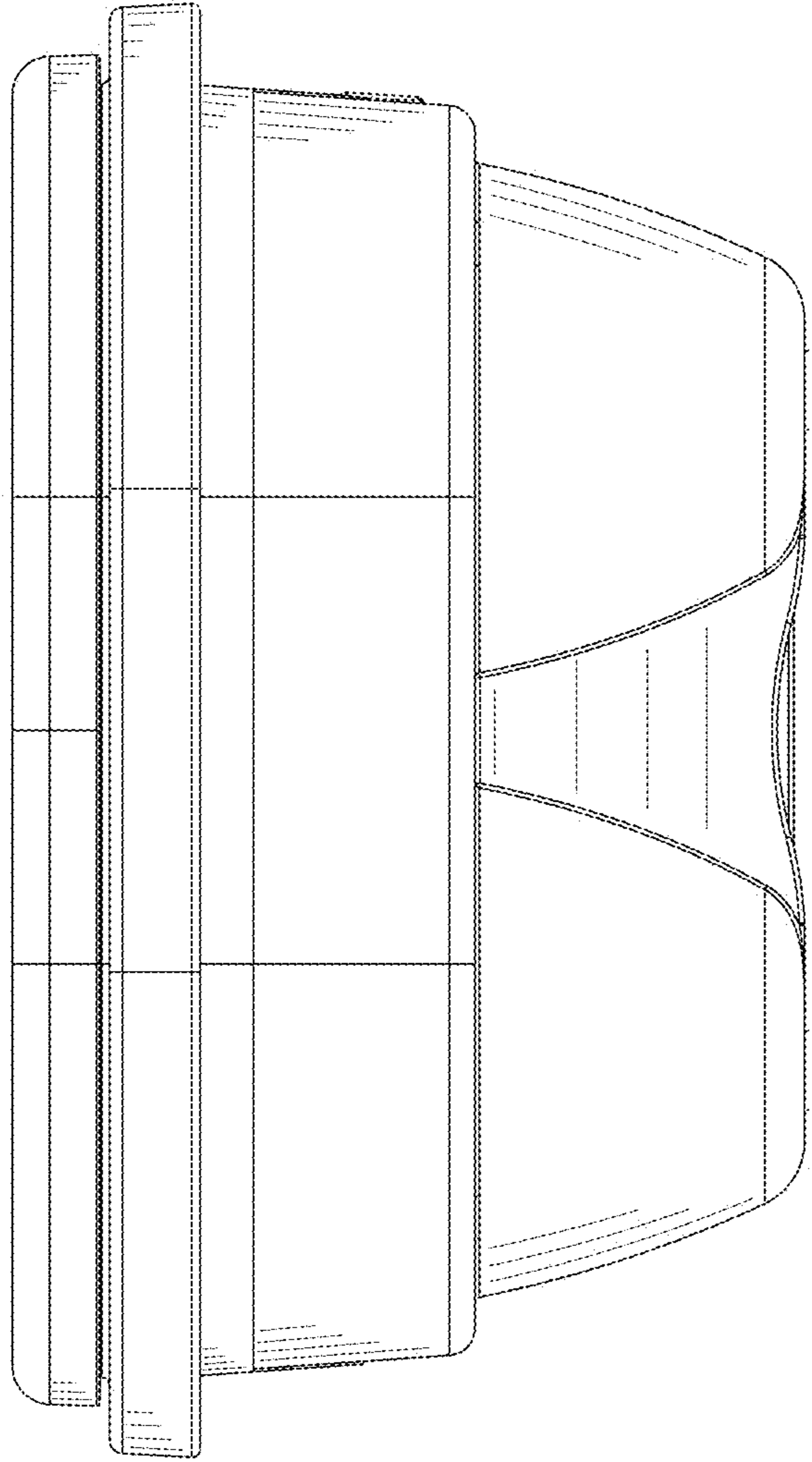


FIG. 27

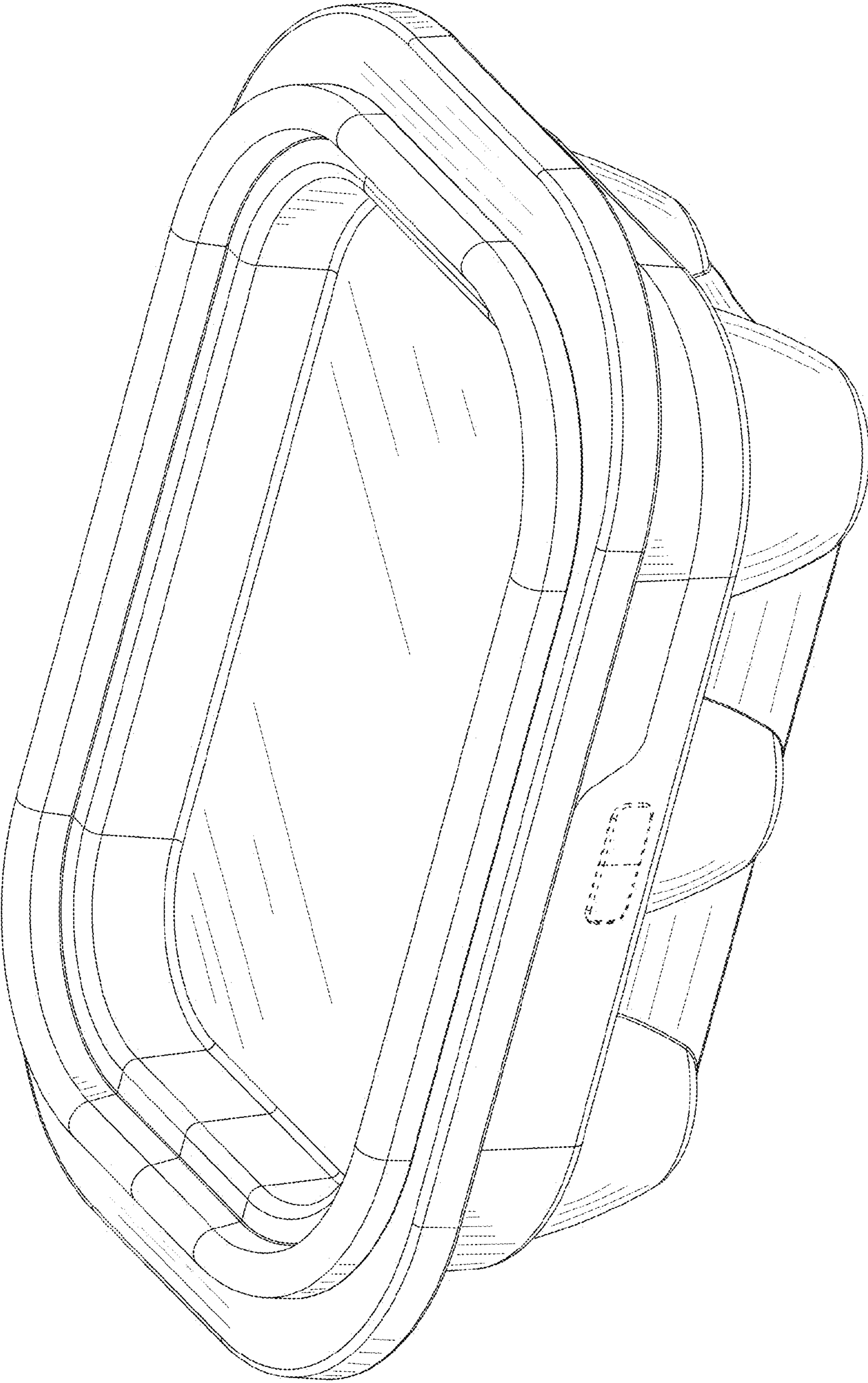


FIG. 28