



US00D934620S

(12) **United States Design Patent** (10) **Patent No.:** **US D934,620 S**
Lees (45) **Date of Patent:** **** Nov. 2, 2021**

(54) **OVEN**

(71) Applicant: **Anova Applied Electronics, Inc.**, San Francisco, CA (US)

(72) Inventor: **Harrison John Lees**, San Francisco, CA (US)

(73) Assignee: **Anova Applied Electronics, Inc.**, San Francisco, CA (US)

(**) Term: **15 Years**

(21) Appl. No.: **29/731,901**

(22) Filed: **Apr. 20, 2020**

Related U.S. Application Data

(63) Continuation-in-part of application No. 29/707,314, filed on Sep. 27, 2019.

(51) **LOC (13) Cl.** **07-02**

(52) **U.S. Cl.**
USPC **D7/350.1**

(58) **Field of Classification Search**

USPC D7/323, 328, 329, 330, 332, 334, 337, D7/339, 347, 348, 349, 350.1, 350.2, D7/350.3, 350.4, 351, 402, 405, 354, 358
CPC A47J 37/00; A47J 37/206; A47J 37/0605; A47J 37/0623; A47J 37/0629; A47J 37/0641; A47J 37/0647; A47J 37/0664; A47J 37/0658; A47J 37/067; A47J 37/07; A47J 37/08; A47J 37/0807
See application file for complete search history.

(56) **References Cited**

U.S. PATENT DOCUMENTS

D802,996 S * 11/2017 Bhogal D7/405
D829,485 S * 10/2018 Morenstein D7/350.1
D859,907 S * 9/2019 Morenstein D7/350.1
D910,362 S * 2/2021 Li D7/350.1

OTHER PUBLICATIONS

Cuisinart Convection Stainless Steel Steam & Convection Oven, first available Sep. 18, 2014, Amazon [online], [site visited Mar. 17, 2021], Available from internet URL: <https://www.amazon.com/Cuisinart-CSO-300N1-Steam-Convection-Stainless/dp/B01JRT2WOG> (Year: 2014).*

The Anova Precision Oven, first available Aug. 18, 2020, YouTube, [online], [site visited Mar. 10, 2021], Available from internet URL: hyperlink (Year: 2020).*

Design No. 306001718, Aug. 21, 2020—Chinese National Intellectual Property Administration (CNIPA) Publication Date—Aug. 21, 2020 Owner—Anova Applied Electronics Inc, Designer—Harrison John WIPO, available at <https://www3.wipo.int/designdb/en/index.jsp> (Year: 2020).*

Anova Precision Oven, Anova Culinary, [online], [site visited Mar. 12, 2021], Available from internet URL: <https://anovaculinary.com/anova-precision-oven/> (Year: 2021).*

(Continued)

Primary Examiner — Mary Ann Calabrese

Assistant Examiner — Natalya M Rapundalo

(74) *Attorney, Agent, or Firm* — Banner & Witcoff, Ltd.

(57) **CLAIM**

The ornamental design for an oven, as shown and described.

DESCRIPTION

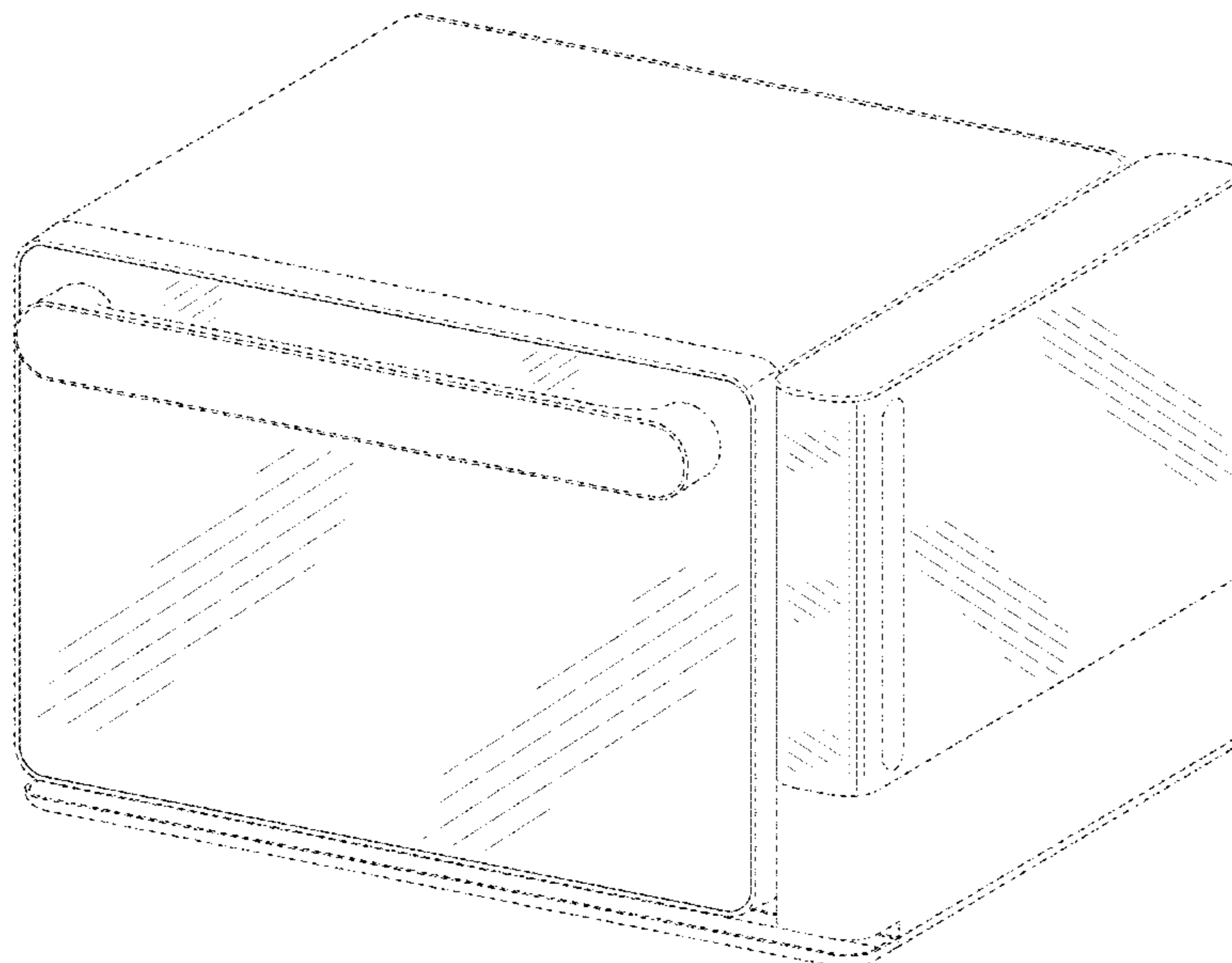
FIG. 1 is a front perspective view of an oven showing my new design;

FIG. 2 is a front view thereof; and,

FIG. 3 is a right side view thereof.

The broken lines representing the handle and the elongated ovular region form no part of the claimed design. The broken lines depicting the remainder of the oven form no part of the claimed design.

1 Claim, 3 Drawing Sheets



(56)

References Cited

OTHER PUBLICATIONS

Design No. D209398-001, Jul. 7, 2020—Korean Intellectual Property Office (KIPO) Publication Date—Jan. 8, 2021 Owner—Samsung Electronics Co., Ltd., Designer—Hwan-Woong Choi et. al. WIPO, available at <https://www3.wipo.int/designdb/en/index.js> (Year: 2021).*

* cited by examiner

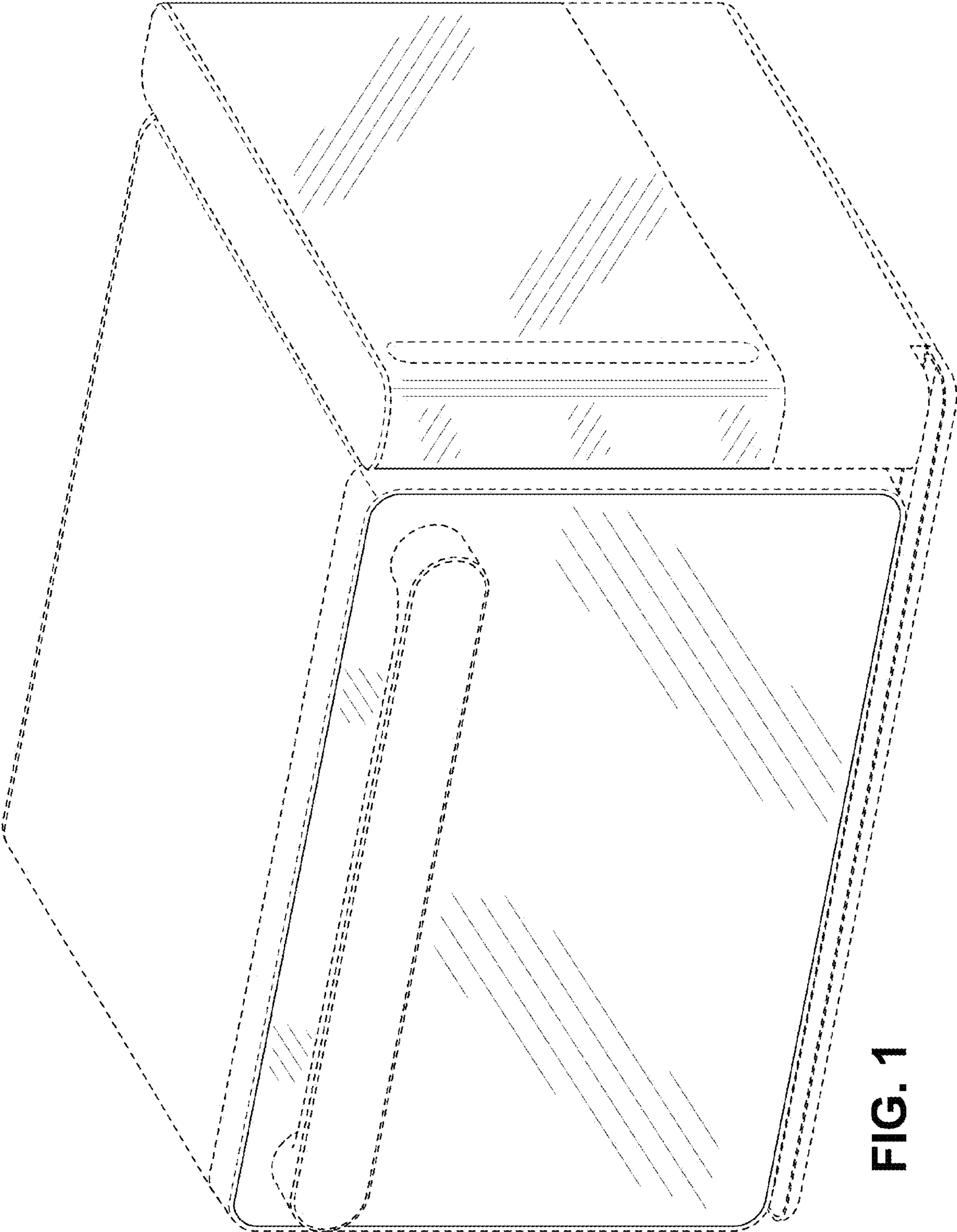


FIG. 1

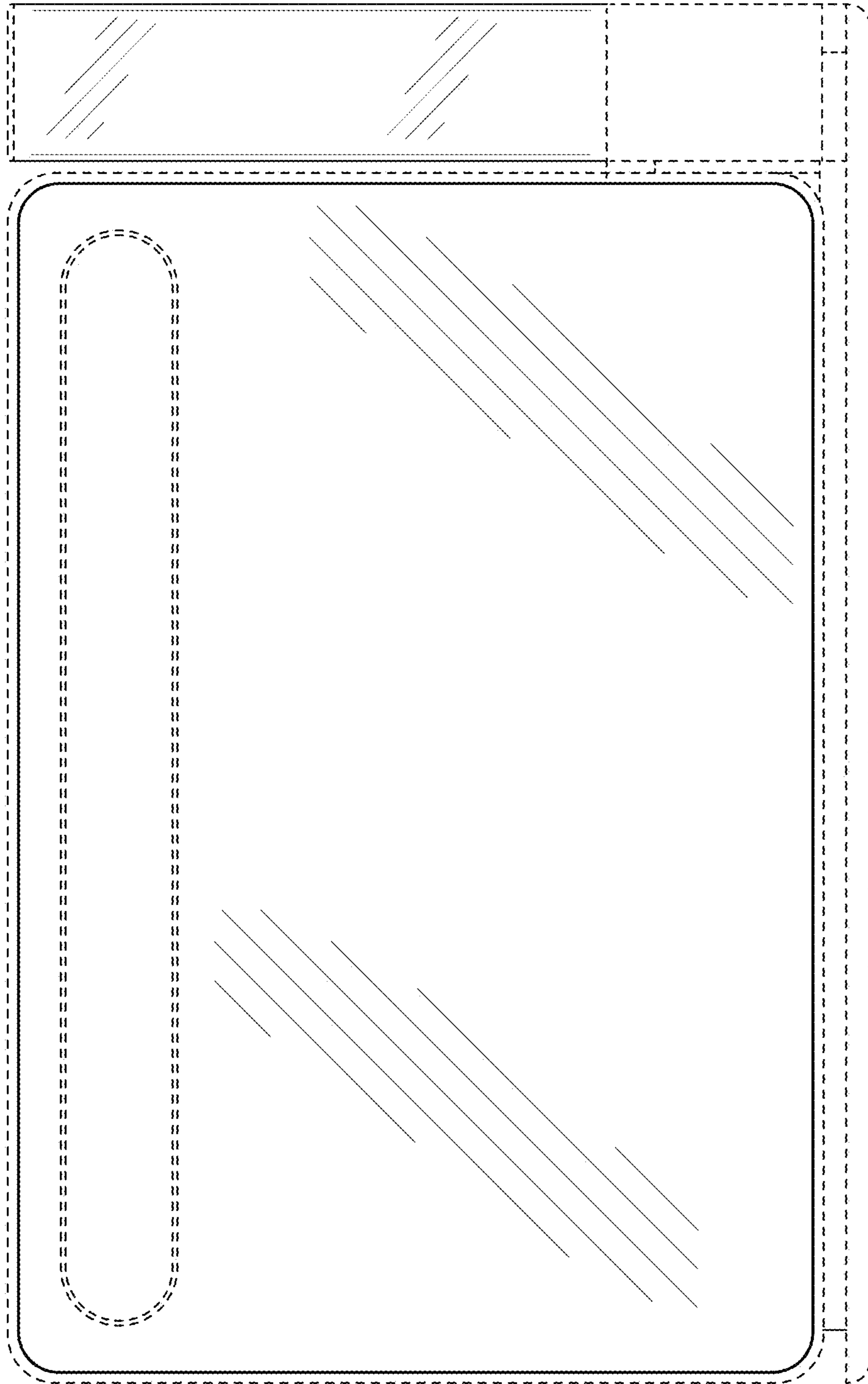


FIG. 2

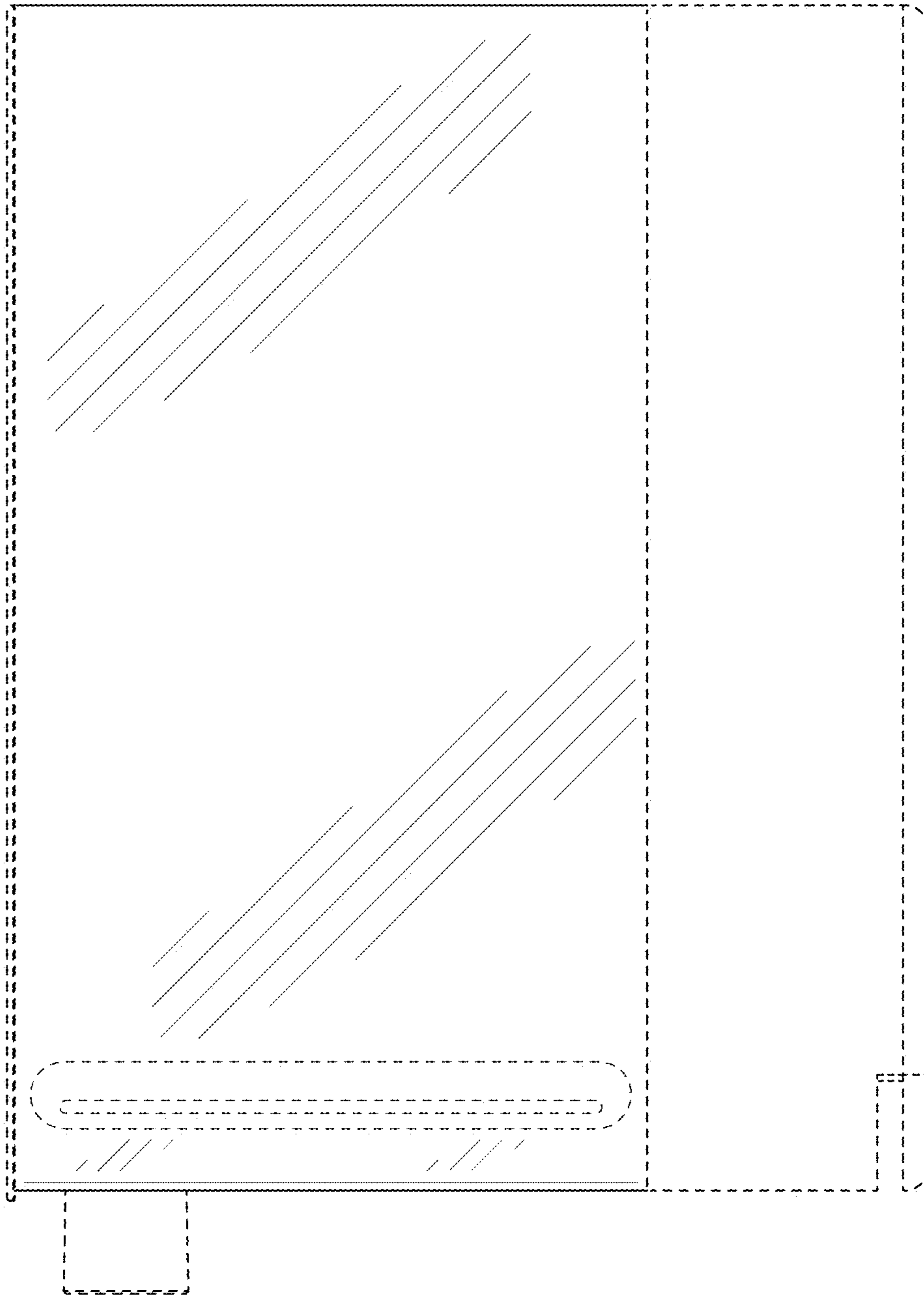


FIG. 3