



US00D934619S

(12) **United States Design Patent** (10) **Patent No.:** **US D934,619 S**  
**Lees** (45) **Date of Patent:** **\*\* Nov. 2, 2021**

(54) **COMBINATION OVEN**

(71) Applicant: **Anova Applied Electronics, Inc.**, San Francisco, CA (US)

(72) Inventor: **Harrison John Lees**, San Francisco, CA (US)

(73) Assignee: **Anova Applied Electronics, Inc.**, San Francisco, CA (US)

(\*\*) Term: **15 Years**

(21) Appl. No.: **29/707,314**

(22) Filed: **Sep. 27, 2019**

(51) **LOC (13) Cl.** ..... **07-02**

(52) **U.S. Cl.**  
USPC ..... **D7/350.1**

(58) **Field of Classification Search**  
USPC ..... D7/323, 328, 329, 330, 332, 334, 337,  
D7/339, 347, 348, 349, 350.1, 350.2,  
D7/350.3, 350.4, 351, 402, 405, 354, 358  
CPC ..... A47J 37/00; A47J 37/206; A47J 37/0605;  
A47J 37/0623; A47J 37/0629; A47J  
37/0641; A47J 37/0647; A47J 37/0664;  
A47J 37/0658; A47J 37/067; A47J 37/07;  
A47J 37/08; A47J 37/0807  
See application file for complete search history.

(56) **References Cited**

**U.S. PATENT DOCUMENTS**

D802,996 S \* 11/2017 Bhogal ..... D7/405  
D829,485 S \* 10/2018 Morenstein ..... D7/350.1  
D859,907 S \* 9/2019 Morenstein ..... D7/350.1  
D910,362 S \* 2/2021 Li ..... D7/350.1

**OTHER PUBLICATIONS**

Cuisinart Convection Stainless Steel Steam & Convection Oven,  
first available Sep. 18, 2014, Amazon [online], [site visited Mar. 17,

2021], Available from internet URL: <https://www.amazon.com/Cuisinart-CSO-300N1-Steam-Convection-Stainless/dp/B01JRT2WOG> (Year: 2014).\*  
The Anova Precision Oven, first available Aug. 18, 2020, YouTube, [online], [site visited Mar. 10, 2021], Available from internet URL: hyperlink (Year: 2020).\*  
Design No. 306001718, Aug. 21, 2020—Chinese National Intellectual Property Administration (CNIPA) Publication Date—Aug. 21, 2020 Owner—Anova Applied Electronics Inc, Designer—Harrison John WIPO, available at <https://www3.wipo.int/designdb/en/index.jsp> (Year: 2020).\*  
Anova Precision Oven, Anova Culinary, [online], [site visited Mar. 12, 2021], Available from internet URL: <https://anovaculinary.com/anova-precision-oven/> (Year: 2021).\*

(Continued)

*Primary Examiner* — Mary Ann Calabrese  
*Assistant Examiner* — Natalya M Rapundalo  
(74) *Attorney, Agent, or Firm* — Banner & Witcoff, Ltd.

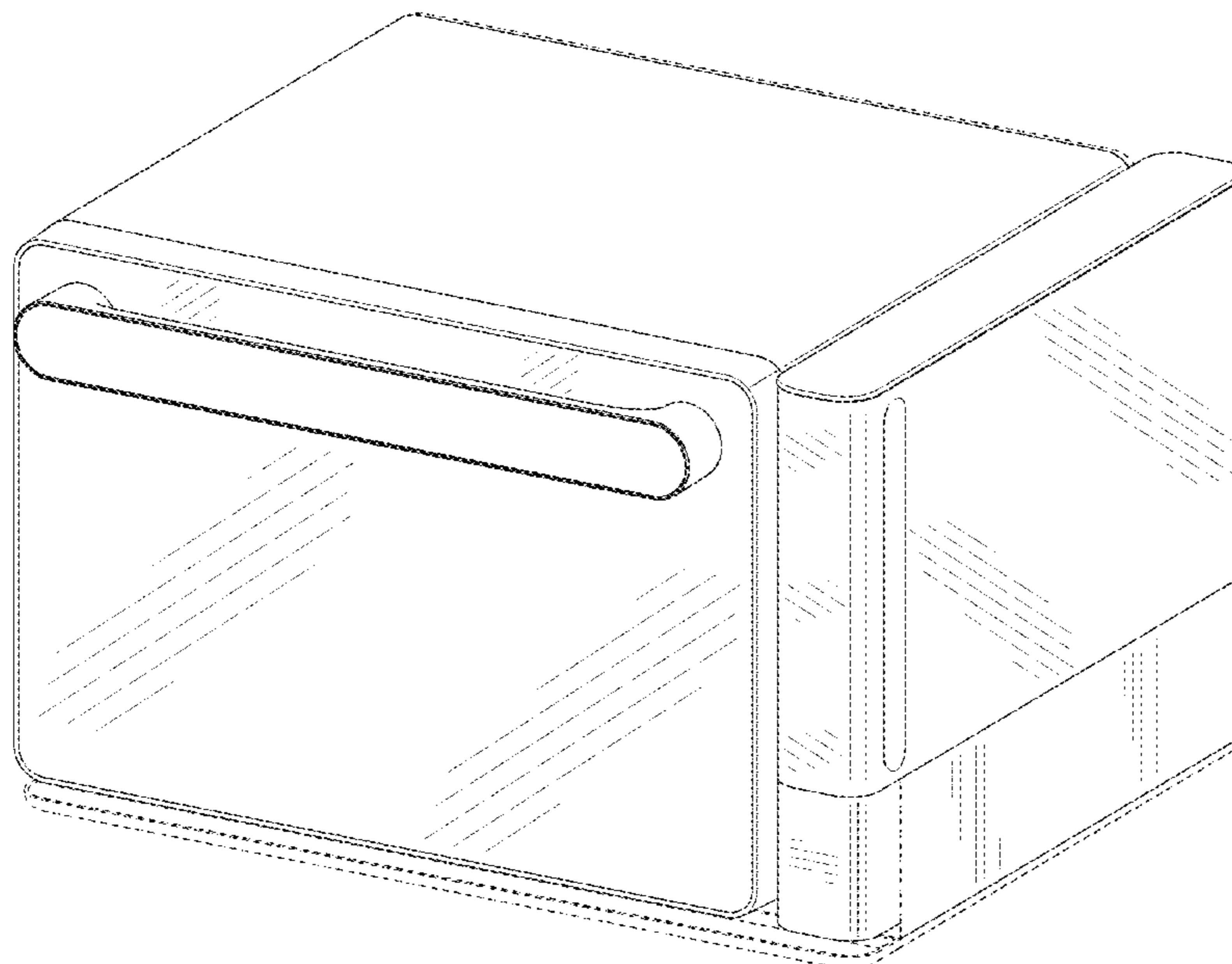
(57) **CLAIM**

The ornamental design for a combination oven, as shown and described.

**DESCRIPTION**

FIG. 1 is a front perspective view of a combination oven showing my new design;  
FIG. 2 is a front view thereof;  
FIG. 3 is a right side view thereof;  
FIG. 4 is a left side view thereof; and,  
FIG. 5 is a top view thereof.  
The broken lines depicting the vertical seam and the elongated racetrack-shaped region within the shaded area form no part of the claimed design. The broken lines depicting the remainder of the combination oven form no part of the claimed design.

**1 Claim, 5 Drawing Sheets**



(56)

**References Cited**

OTHER PUBLICATIONS

Brava Oven, Brava, [online], [site visited Mar. 17, 2021], Available from internet URL: <https://www.brava.com/products/marketplace/brava/oven/> (Year: 2021).\*

Design No. D209398-001, Jul. 7, 2020—Korean Intellectual Property Office (KIPO) Publication Date—Jan. 8, 2021 Owner—Samsung Electronics Co., Ltd., Designer—Hwan-Woong Choi et. al. WIPO, available at <https://www3.wipo.int/designdb/en/index.jsp> (Year: 2021).\*

\* cited by examiner

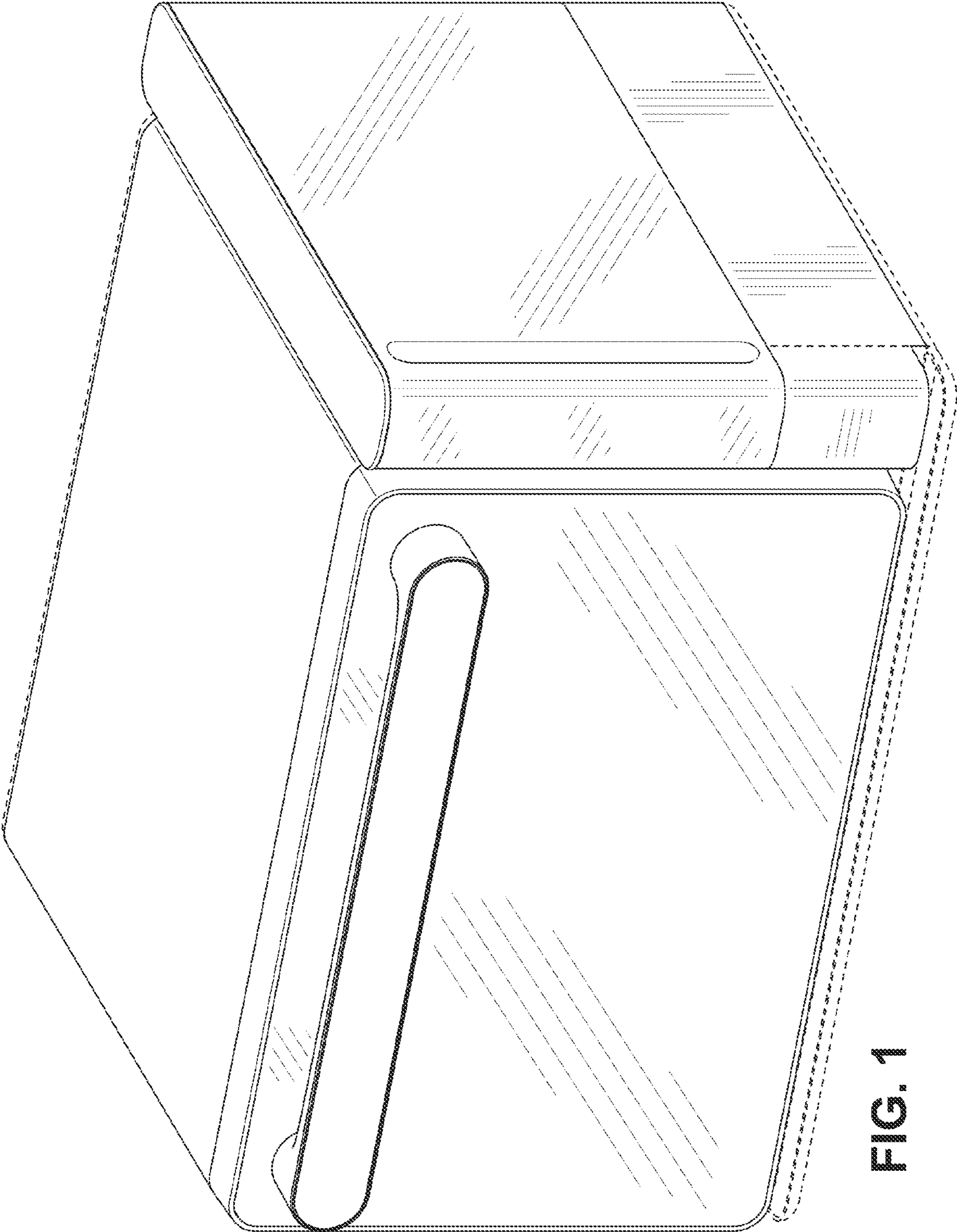


FIG. 1

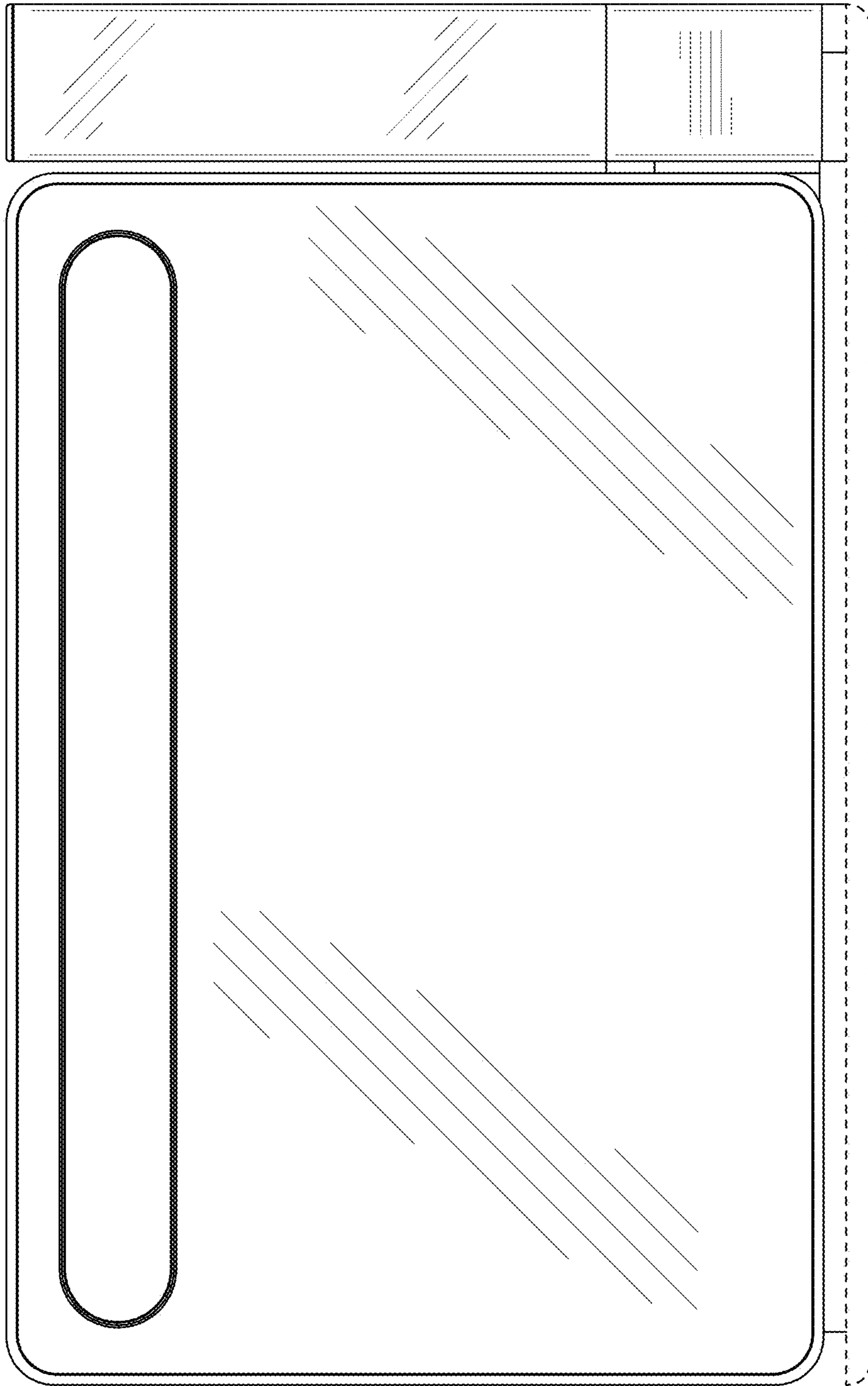


FIG. 2

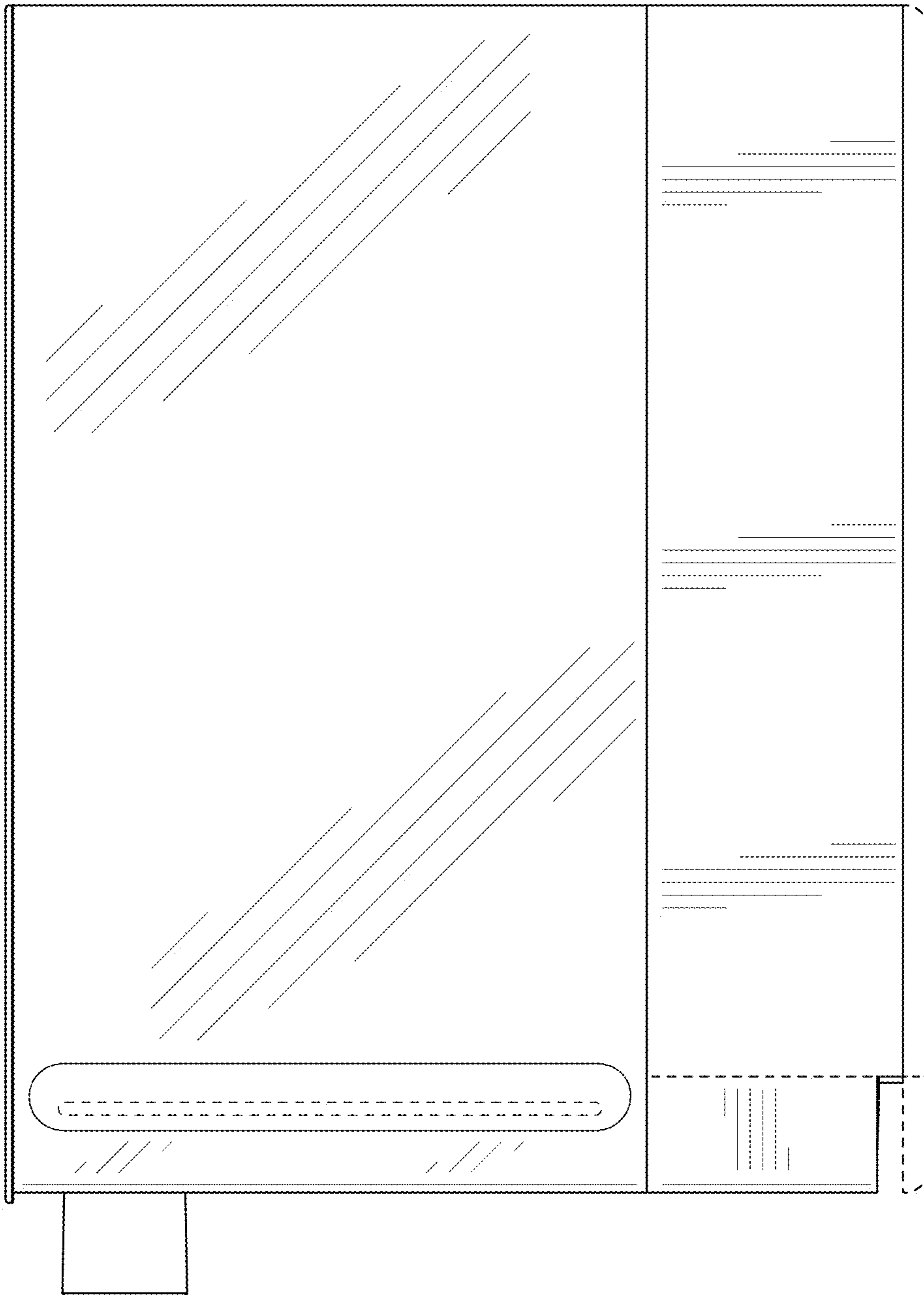
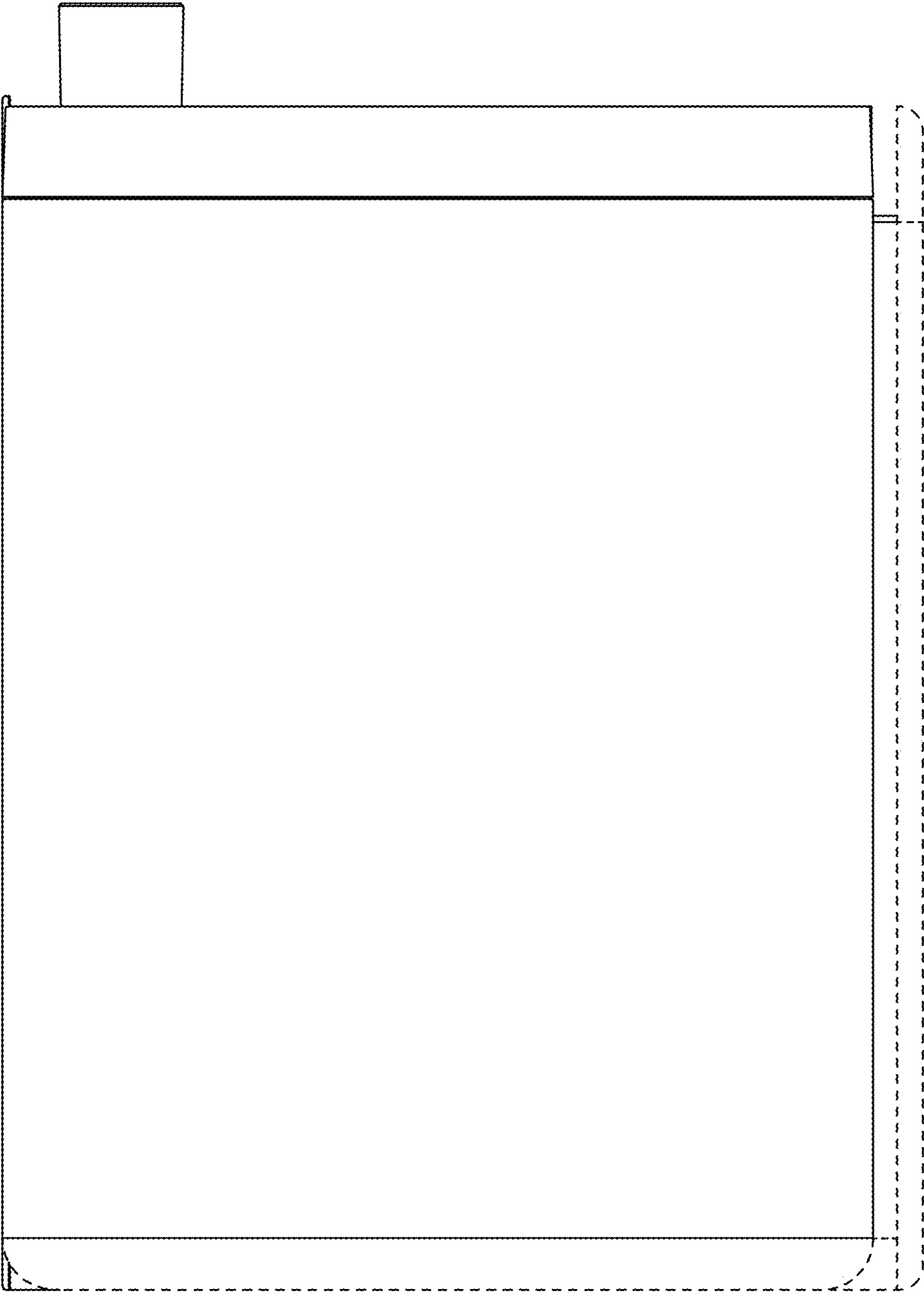


FIG. 3



**FIG. 4**

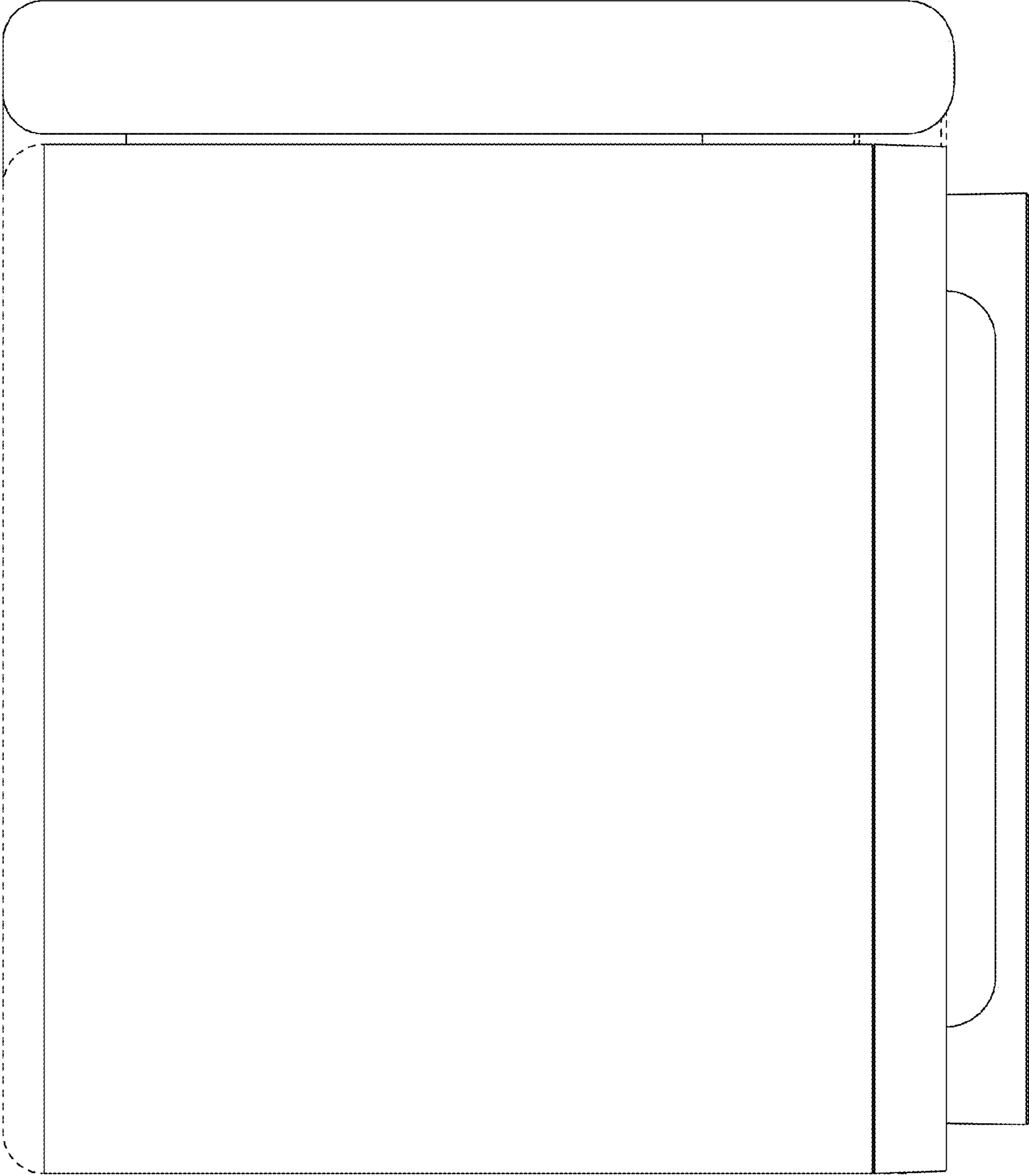


FIG. 5