



US00D934612S

(12) **United States Design Patent** (10) **Patent No.:** **US D934,612 S**
Palermo (45) **Date of Patent:** **** Nov. 2, 2021**

(54) **COOKER**
(71) Applicant: **Raymond Palermo**, Marietta, GA (US)
(72) Inventor: **Raymond Palermo**, Marietta, GA (US)
(**) Term: **15 Years**

(21) Appl. No.: **29/706,685**

(22) Filed: **Sep. 23, 2019**

(51) **LOC (13) Cl.** **07-02**

(52) **U.S. Cl.**
USPC **D7/337**

(58) **Field of Classification Search**
USPC D7/323, 332, 334-337, 339-341,
D7/346-349, 350.1, 350.3, 351-353, 362,
D7/363, 387, 402, 403, 405-409;
D8/315-318

CPC .. A47J 33/00; A47J 36/00; A47J 36/26; A47J
37/00; A47J 37/04; A47J 37/06; A47J
37/0611; A47J 37/0623; A47J 37/0647;
A47J 37/0652; A47J 37/07; A47J
37/0704; A47J 37/0713; A47J 37/0718;
A47J 37/0727; A47J 37/0731; A47J
37/074; A47J 37/0754; A47J 37/0763;
A47J 2037/0777; F24C 14/10; F24C
1/00; F24C 3/00; F24C 3/002; F24C
3/022; F24C 3/042; F24C 3/08; F24C
3/082; F24C 3/10; F24C 3/106; F24C
3/14; F24C 7/00; F24C 7/02; F24C 7/04;
F24C 7/043; F24C 7/10; F24C 7/083;
F24C 15/10; F24C 15/36

See application file for complete search history.

(56) **References Cited**

U.S. PATENT DOCUMENTS

3,301,172 A 1/1967 Haro
4,463,746 A 8/1984 Knuth et al.
D284,543 S 7/1986 Huls

D289,847 S 5/1987 Okamoto et al.
D292,163 S * 10/1987 Mashburn D7/337
D293,539 S * 1/1988 Nishikawa D7/337
(Continued)

OTHER PUBLICATIONS

Design No. D1502070, Jun. 6, 2014—Japan Patent Office (JPO)
Publication Date—Jul. 7, 2014 Owner—Doshisha Co., Ltd. WIPO,
available at <https://www3.wipo.int/designdb/en/index.jsp> (Year: 2014).
(Continued)

Primary Examiner — Mary Ann Calabrese
Assistant Examiner — Natalya M Rapundalo
(74) *Attorney, Agent, or Firm* — Smith Tempel Blaha
LLC; Gregory Scott Smith

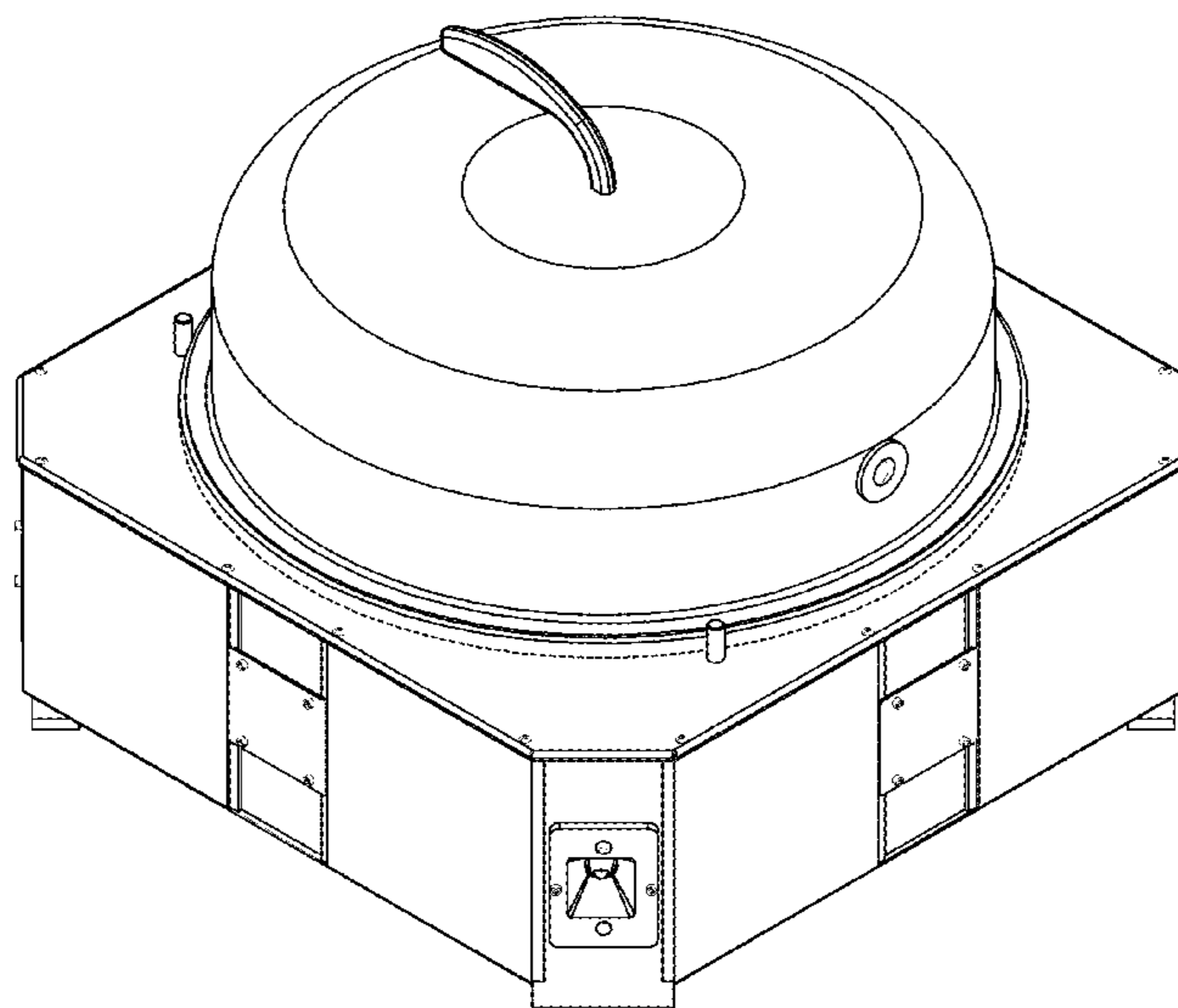
(57) **CLAIM**

The ornamental design for a cooker, as shown and described.

DESCRIPTION

FIG. 1 is a perspective view for a cooker, showing my new design;
FIG. 2 is a top plan view of the cooker shown in FIG. 1;
FIG. 3 is a side elevation view of the cooker shown in FIG. 1;
FIG. 4 is a bottom plan view of the cooker shown in FIG. 1;
FIG. 5 is a front elevation view of the cooker shown in FIG. 1;
FIG. 6 is a back elevation view of the cooker shown in FIG. 1;
FIG. 7 is an exploded view of the cooker shown in FIG. 1 with the top being lifted from the surface;
FIG. 8 is a cross-sectional side elevation view taken at line 8-8 of FIG. 2 of the cooker shown in FIG. 1; and,
FIG. 9 is a cross-sectional side elevation view taken at line 9-9 of FIG. 2 of the cooker shown in FIG. 1.
The broken lines show elements of the cooker that form no part of the claimed design.

1 Claim, 9 Drawing Sheets



(56)

References Cited

U.S. PATENT DOCUMENTS

4,976,252 A * 12/1990 Cianciola A47J 37/01
126/27

5,211,105 A 5/1993 Liu

5,404,864 A 4/1995 Kent, Jr.

5,425,352 A 6/1995 Gillam et al.

5,797,386 A 8/1998 Orr

D463,197 S * 9/2002 Hall A47J 37/067
D7/332

D475,571 S 6/2003 Hopkins

6,782,801 B1 8/2004 Correa et al.

6,941,942 B2 9/2005 Eisinger et al.

D541,486 S 4/2007 Mahaffey

7,219,663 B2 5/2007 Cuomo

D551,034 S 9/2007 Truhan

D573,466 S 7/2008 White

D611,291 S * 3/2010 Chung D7/337

D685,601 S * 7/2013 Morabito D7/337

D730,680 S 6/2015 Palermo

9,220,369 B1 12/2015 Yelverton

D762,409 S * 8/2016 Fisher D7/337

D772,648 S 11/2016 Palermo

D811,798 S * 3/2018 Mansueto D7/337

10,058,210 B2 8/2018 Palermo

10,231,575 B1 3/2019 Nicoll et al.

10,264,919 B2 4/2019 Wenzel et al.

D908,414 S * 1/2021 Sun D7/332

2013/0247779 A1 * 9/2013 Hong A47J 37/0629
99/343

2015/0068512 A1 3/2015 Mehler et al.

2015/0114238 A1 * 4/2015 Palermo A47J 37/0623
99/401

2017/0172344 A1 6/2017 Romano

2017/0318999 A1 11/2017 Han et al.

2018/0110367 A1 4/2018 Baker

2021/0085117 A1 * 3/2021 Palermo A47J 37/067

2021/0156565 A1 * 5/2021 Skillman A47J 37/0786

OTHER PUBLICATIONS

Quad Grill, first available Apr. 13, 2020, Kickstarter, [online], [site visited Feb. 4, 2021], Available from internet URL: <https://www.kickstarter.com/projects/rpalermo/quad-2nd-gen> (Year: 2020).*

Quad Grill, Quad Grilling, [online], [site visited Feb. 3, 2021], Available from internet URL: <https://quadgrilling.com/products/quad%C2%AE-grill> (Year: 2021).*

* cited by examiner

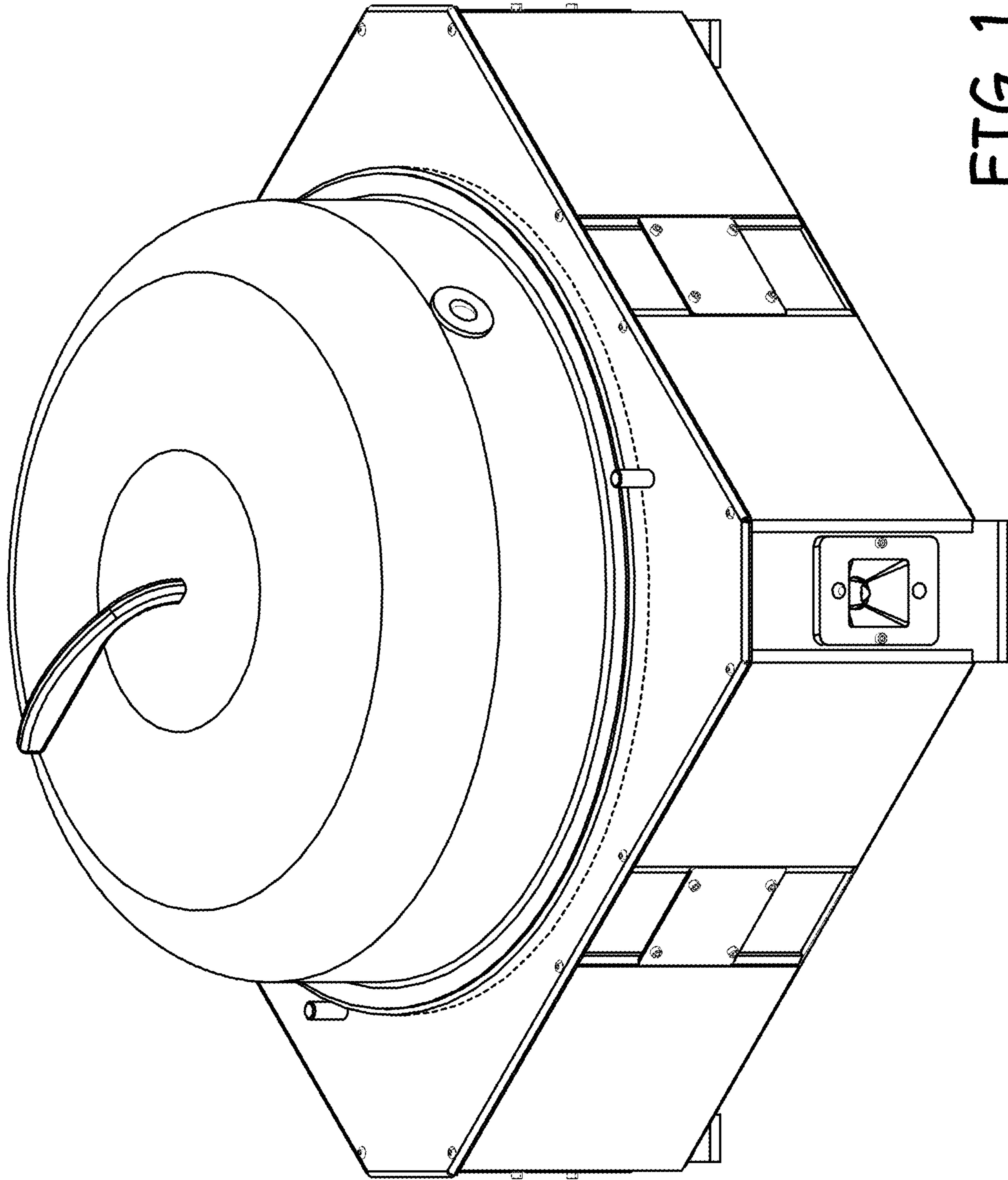


FIG. 1

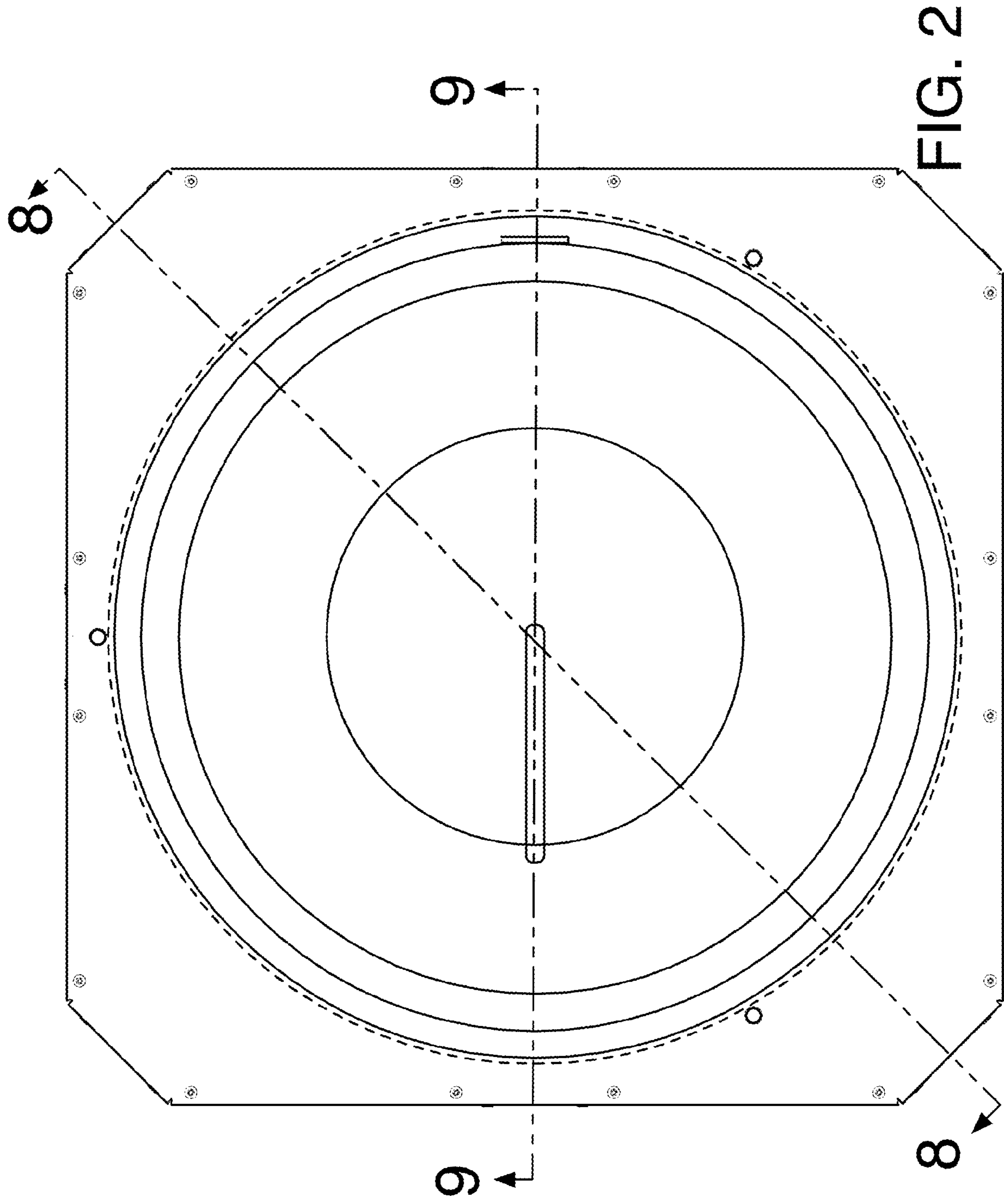


FIG. 2

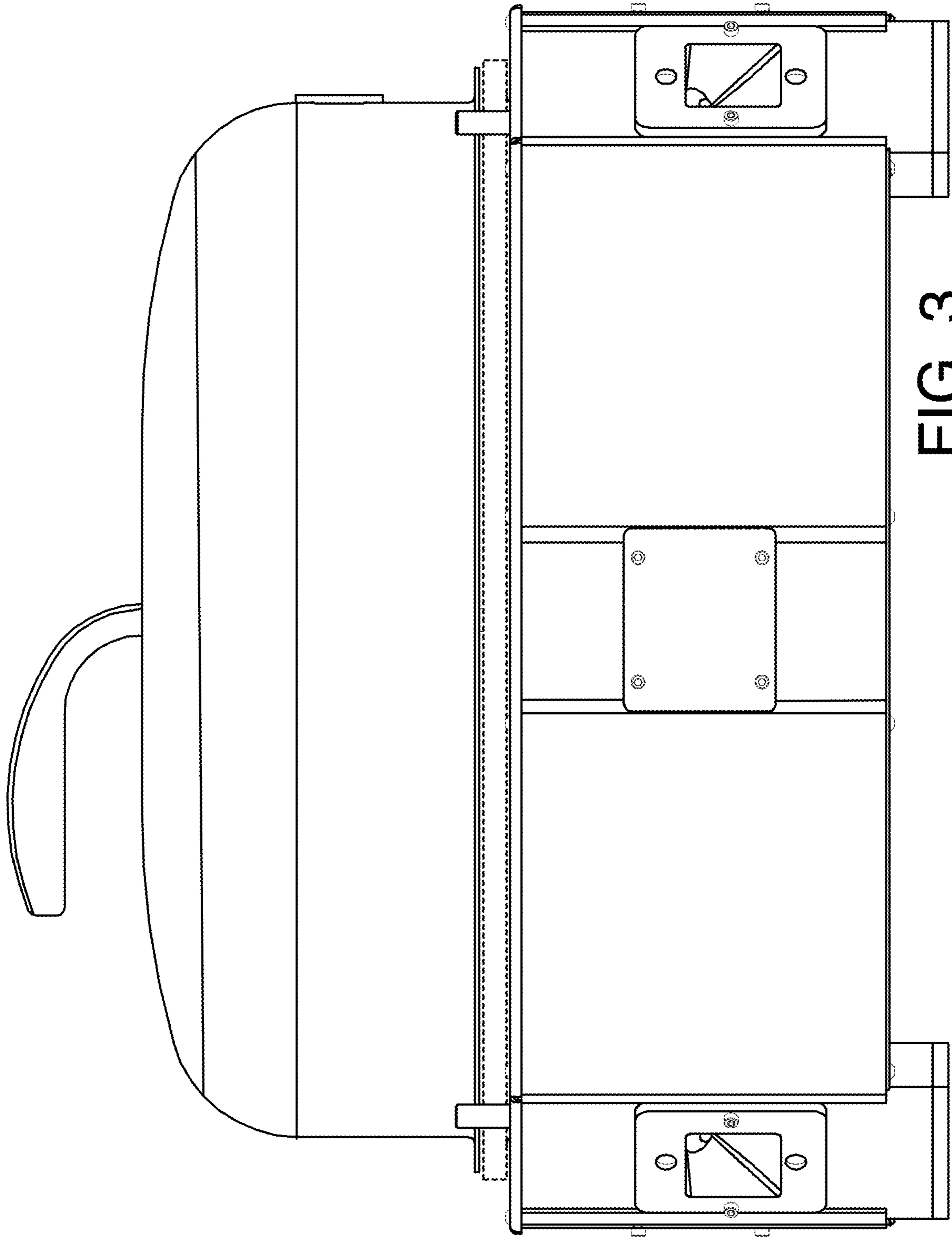


FIG. 3

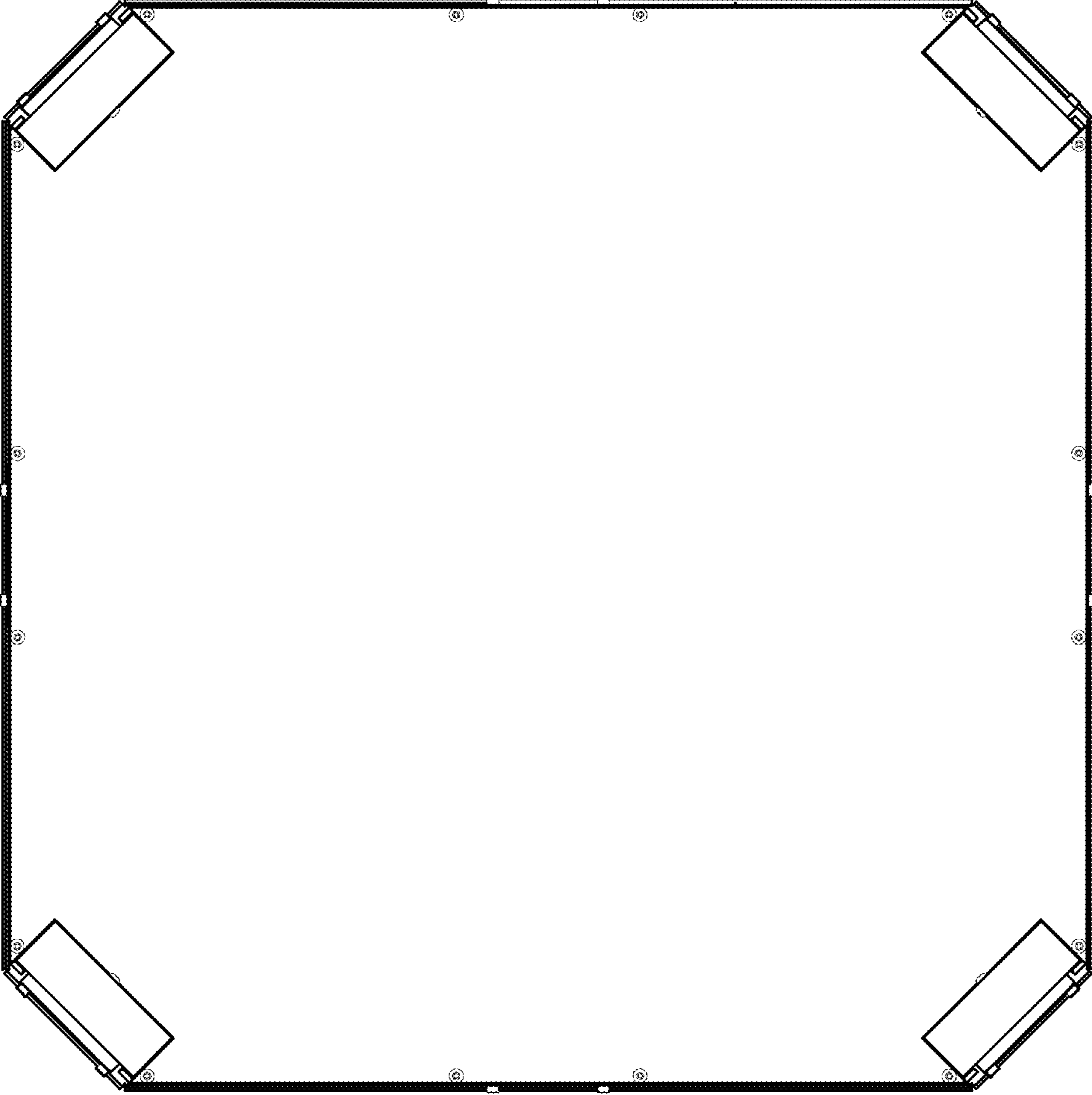


FIG. 4

FIG. 5

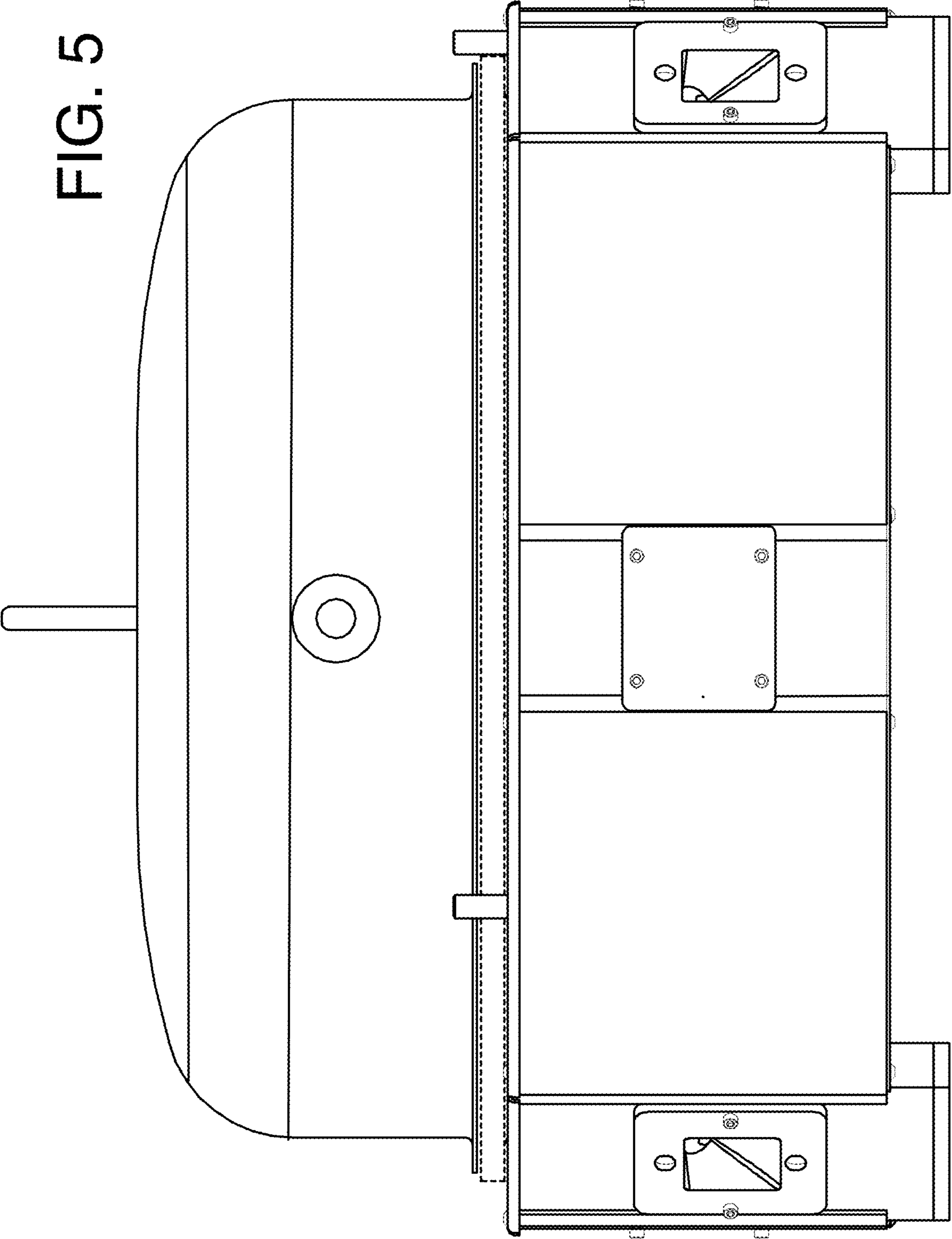
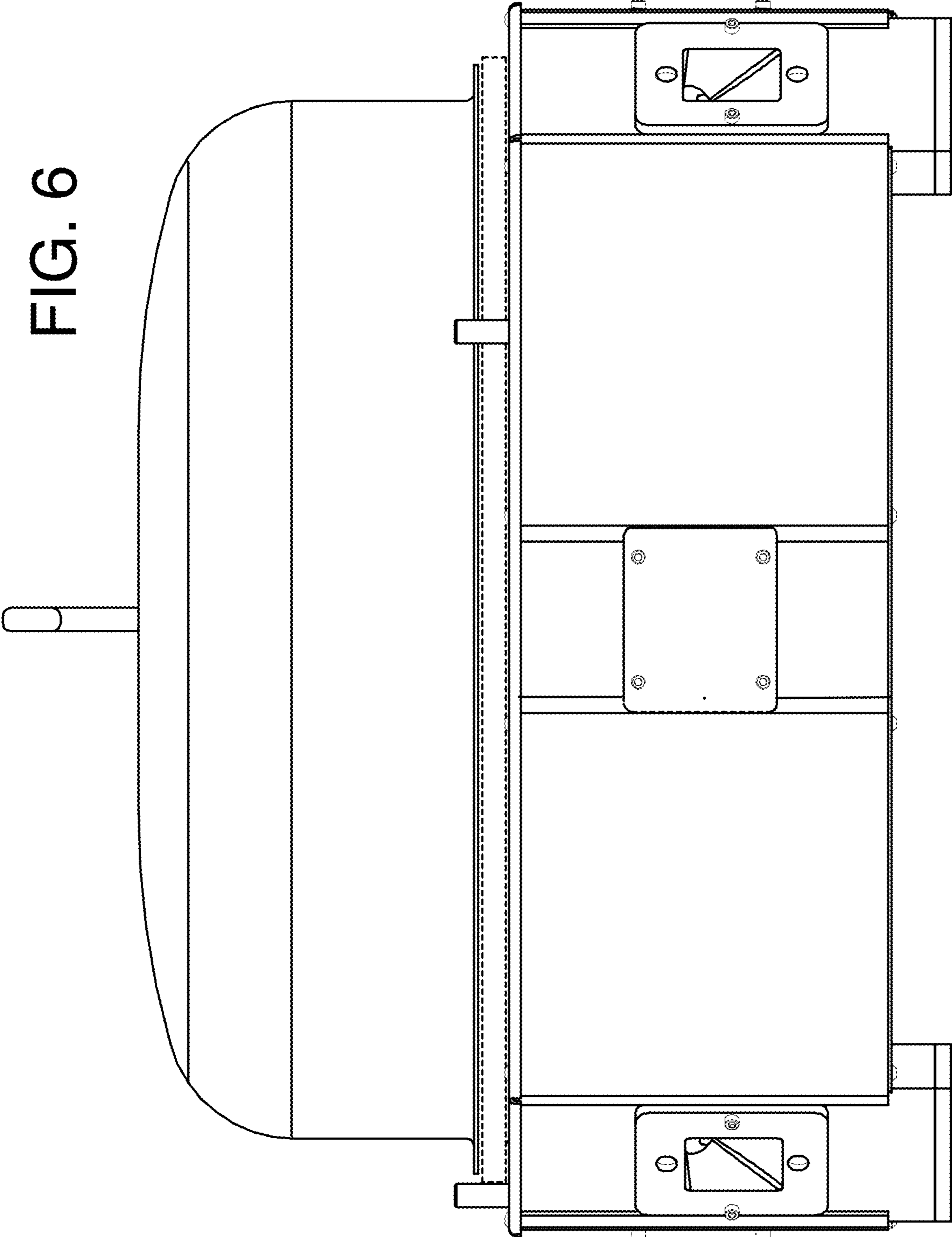


FIG. 6



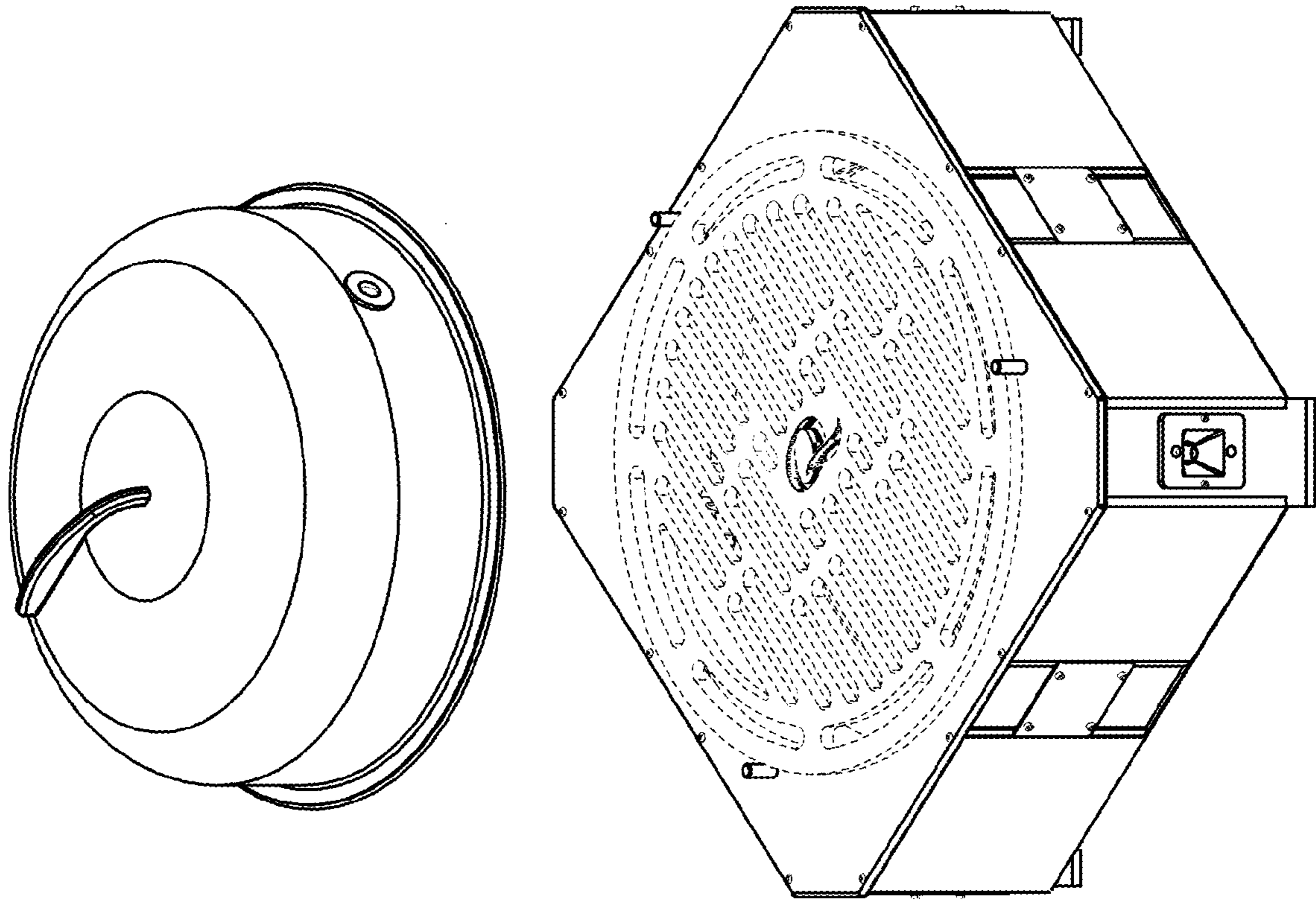


FIG. 7

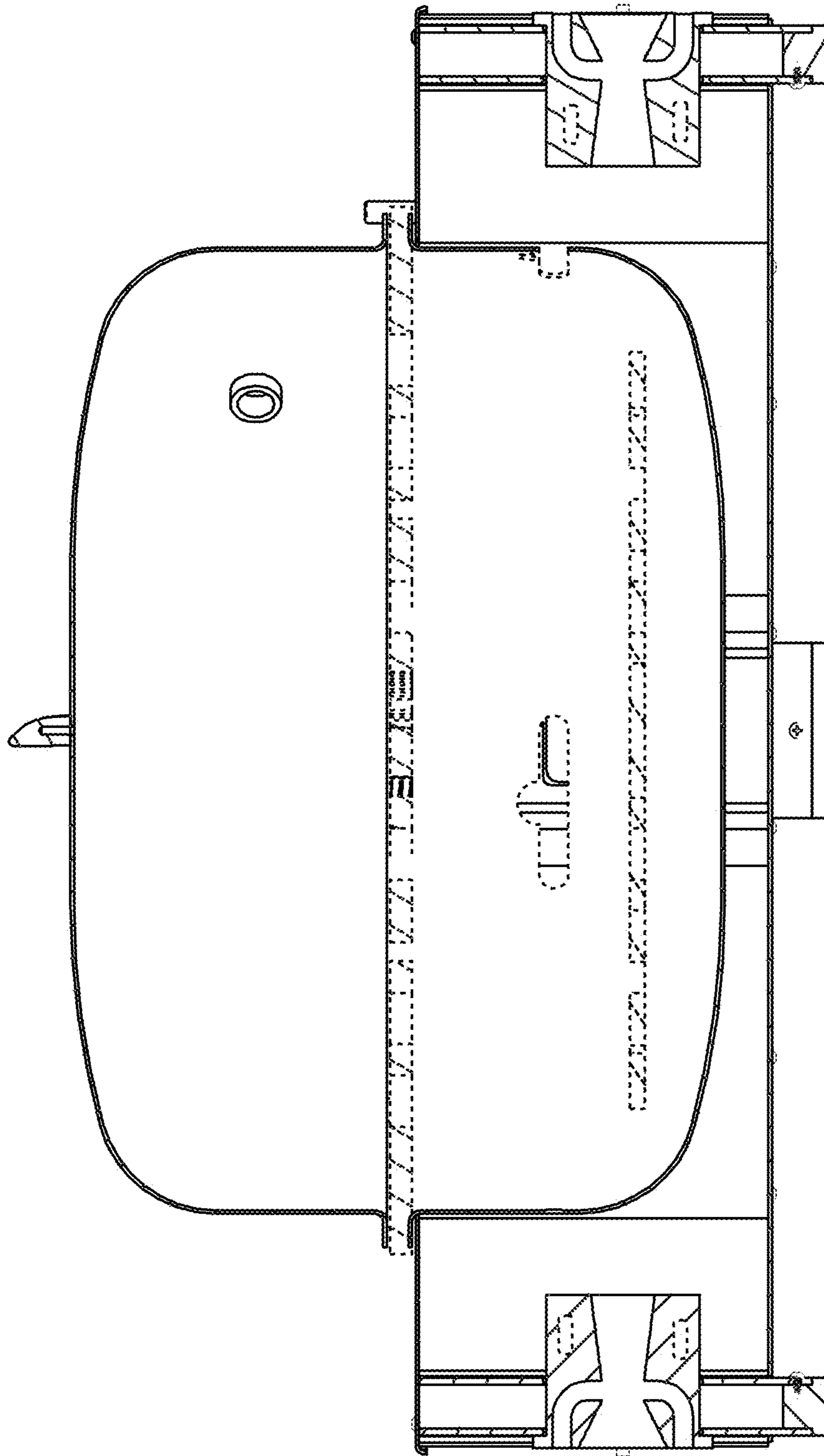


FIG. 8

FIG. 9

