



US00D934611S

(12) **United States Design Patent**
Dahle et al.

(10) **Patent No.:** **US D934,611 S**
(45) **Date of Patent:** **** Nov. 2, 2021**

- (54) **OUTDOOR COOKING STATION**
- (71) Applicant: **North Atlantic Imports, LLC**, Logan, UT (US)
- (72) Inventors: **Roger Dahle**, Providence, UT (US); **Scott W. M. Stevenson**, Smithfield, UT (US); **Steve L. Puertas**, Wellsville, UT (US); **Jeffrey D. Clark**, Logan, UT (US)
- (73) Assignee: **North Atlantic Imports, LLC**, Logan, UT (US)
- (**) Term: **15 Years**
- (21) Appl. No.: **29/692,968**
- (22) Filed: **May 30, 2019**
- (51) **LOC (13) Cl.** **07-02**
- (52) **U.S. Cl.**
USPC **D7/334; D7/363**
- (58) **Field of Classification Search**
USPC D7/323, 331–338, 402–409; 126/25 R; D6/686, 684; D25/67; D15/141
CPC A47J 37/07–0713; A47J 37/0763; A47J 37/0781; A47J 37/0786; B25H 1/06; B25H 1/04; A47B 3/08
See application file for complete search history.

D462,227 S * 9/2002 Alden D7/334
D470,357 S * 2/2003 Home D7/334
D475,235 S * 6/2003 Home D7/334
(Continued)

OTHER PUBLICATIONS

Blackstone 36" Pro Series Outdoor Griddle with Hard Cover, Jan. 4, 2019, Walmart, <https://www.walmart.com/ip/Blackstone-36-Pro-Series-Outdoor-Griddle-with-Hard-Cover/385486122> (Year: 2019).*
(Continued)

Primary Examiner — Brett Miller
(74) *Attorney, Agent, or Firm* — David L. Stott

(57) **CLAIM**

The ornamental design for an outdoor cooking station, as shown and described.

DESCRIPTION

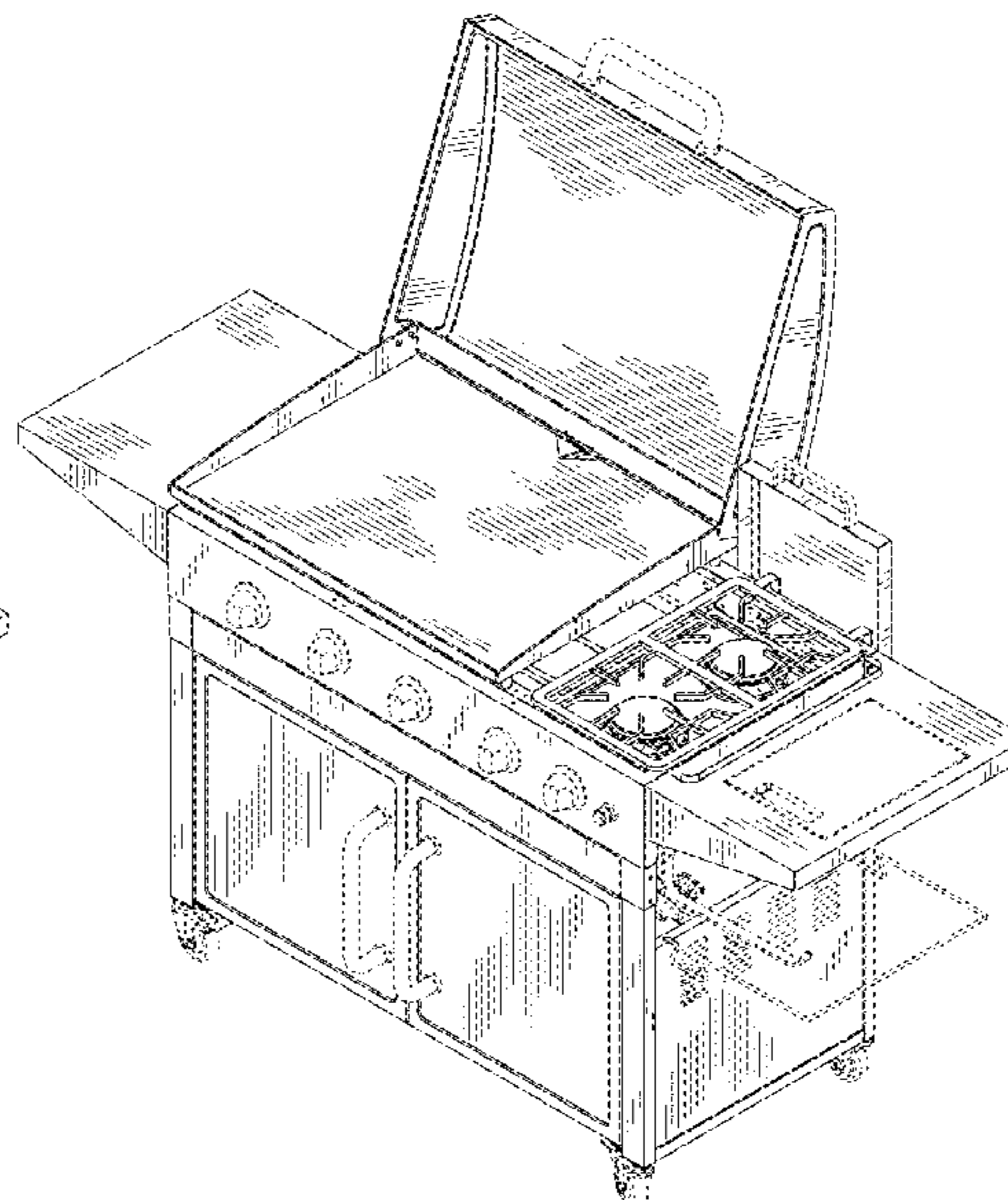
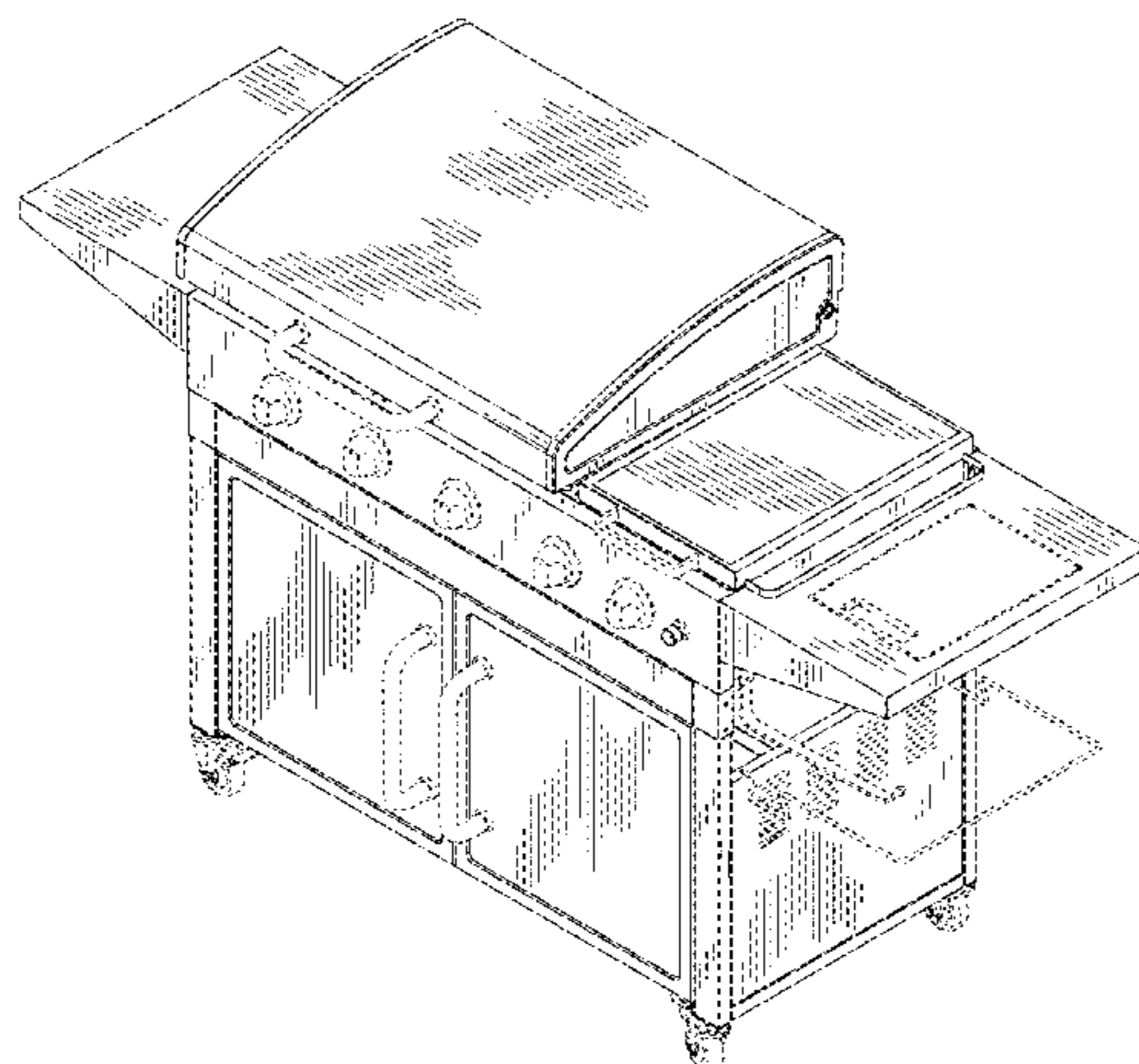
FIG. 1 is an isometric front view of an embodiment of an outdoor cooking station;
FIG. 2 is a front view of the outdoor cooking station of FIG. 1;
FIG. 3 is a rear view of the outdoor cooking station of FIG. 1;
FIG. 4 is a left-side view of the outdoor cooking station of FIG. 1;
FIG. 5 is a right-side view of the outdoor cooking station of FIG. 1;
FIG. 6 is a top view of the outdoor cooking station of FIG. 1;
FIG. 7 is a bottom view of the outdoor cooking station of FIG. 1; and,
FIG. 8 is an isometric front view of the outdoor cooking station of FIG. 1, depicting lids of the outdoor cooking station in an open position.
The broken lines in the drawings represent portions of the outdoor cooking station that form no part of the claimed design.

(56) **References Cited**

U.S. PATENT DOCUMENTS

3,763,846	A	10/1973	Schantz
3,789,822	A	2/1974	Schantz
4,321,857	A	3/1982	Best
4,696,282	A	9/1987	Incitti
4,757,755	A	7/1988	Sarten
4,905,664	A	3/1990	Dunham
5,765,543	A	6/1998	Hopkins
5,839,361	A	11/1998	Richter
6,189,528	B1	2/2001	Oliver

1 Claim, 5 Drawing Sheets



(56)

References Cited

U.S. PATENT DOCUMENTS

6,640,800 B1 11/2003 Hodgson et al.
 6,820,538 B2 11/2004 Roescher
 D535,846 S * 1/2007 Debord D7/334
 D536,918 S * 2/2007 Wood D7/334
 D544,289 S * 6/2007 Tseng D7/332
 D546,116 S * 7/2007 Tseng D7/334
 D557,548 S * 12/2007 Fisher D7/340
 D560,416 S * 1/2008 Sedberry D7/334
 D560,417 S * 1/2008 Ho D7/334
 D581,198 S * 11/2008 Chau D7/332
 D581,199 S * 11/2008 Chau D7/334
 D618,036 S * 6/2010 Chung D7/334
 D618,952 S * 7/2010 Chung D7/334
 D657,183 S * 4/2012 May D7/334
 D662,347 S * 6/2012 May D7/334
 D680,794 S * 4/2013 Chung D7/332
 D682,007 S * 5/2013 Davis D7/334
 D688,512 S * 8/2013 Chung D7/334
 D694,056 S 11/2013 Dahle
 D723,860 S * 3/2015 Chung D7/334

D769,668 S * 10/2016 Lally D7/334
 9,709,281 B2 7/2017 Ahmed
 D843,771 S * 3/2019 Wong D7/334
 D848,204 S * 5/2019 Chung D7/363
 D854,871 S * 7/2019 Williams D7/334
 D855,376 S * 8/2019 Kim D7/340
 D857,439 S * 8/2019 Chung D7/334
 2006/0081236 A1 4/2006 Johnston et al.
 2008/0236564 A1 10/2008 Burtea et al.
 2010/0139642 A1* 6/2010 Pliml A47J 37/0704
 126/25 R
 2011/0079211 A1* 4/2011 Bruno A47J 37/0713
 126/39 E
 2018/0220845 A1 8/2018 Dahle

OTHER PUBLICATIONS

Blackstone Range Top Combo—28" Girdle with Bonus Fryer, Dec. 31, 2018, Walmart, <https://www.walmart.com/ip/Blackstone-Range-Top-Combo-28-Griddle-with-Bonus-Fryer/806171984> (Year: 2018).*

* cited by examiner

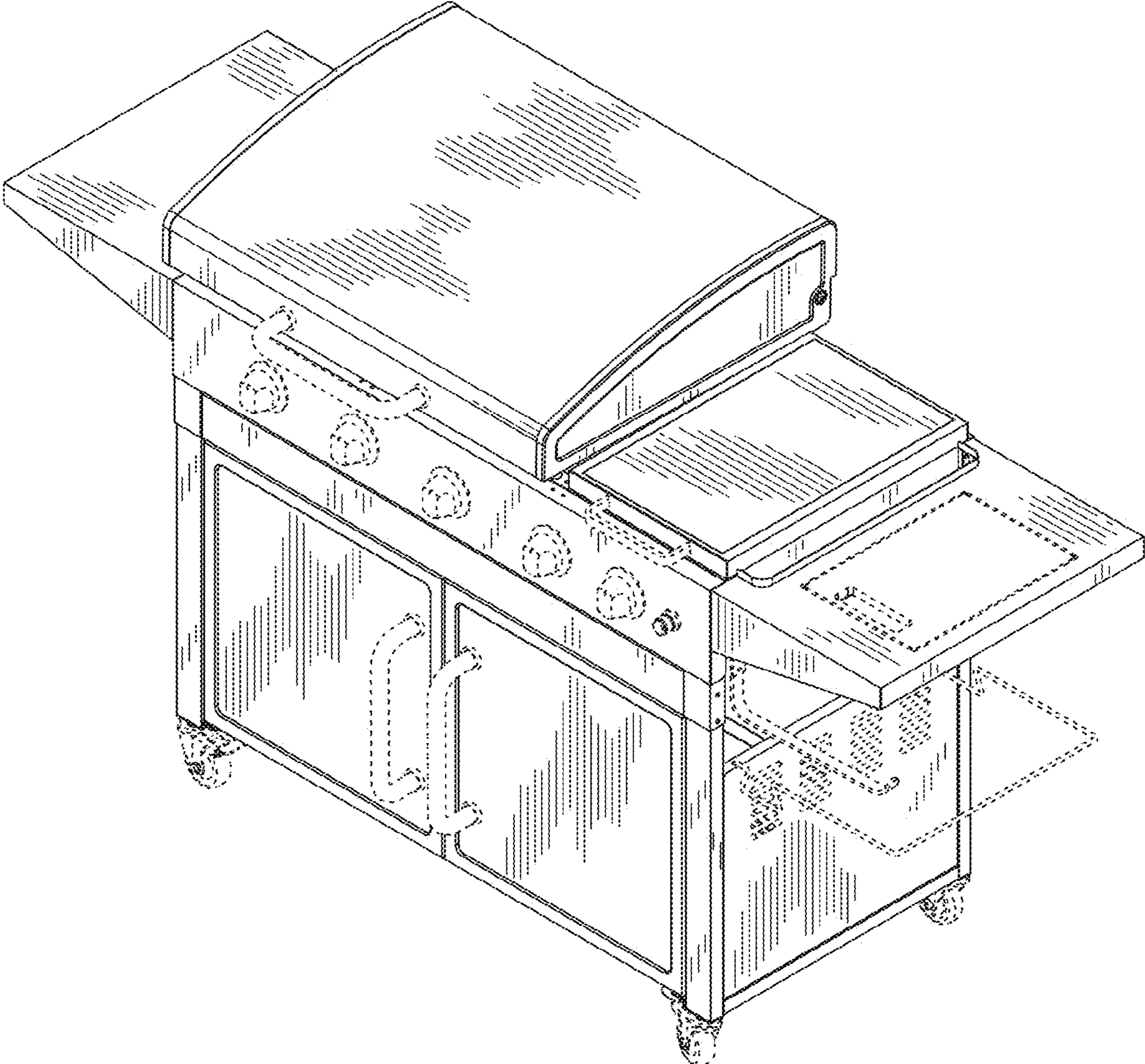


FIG. 1

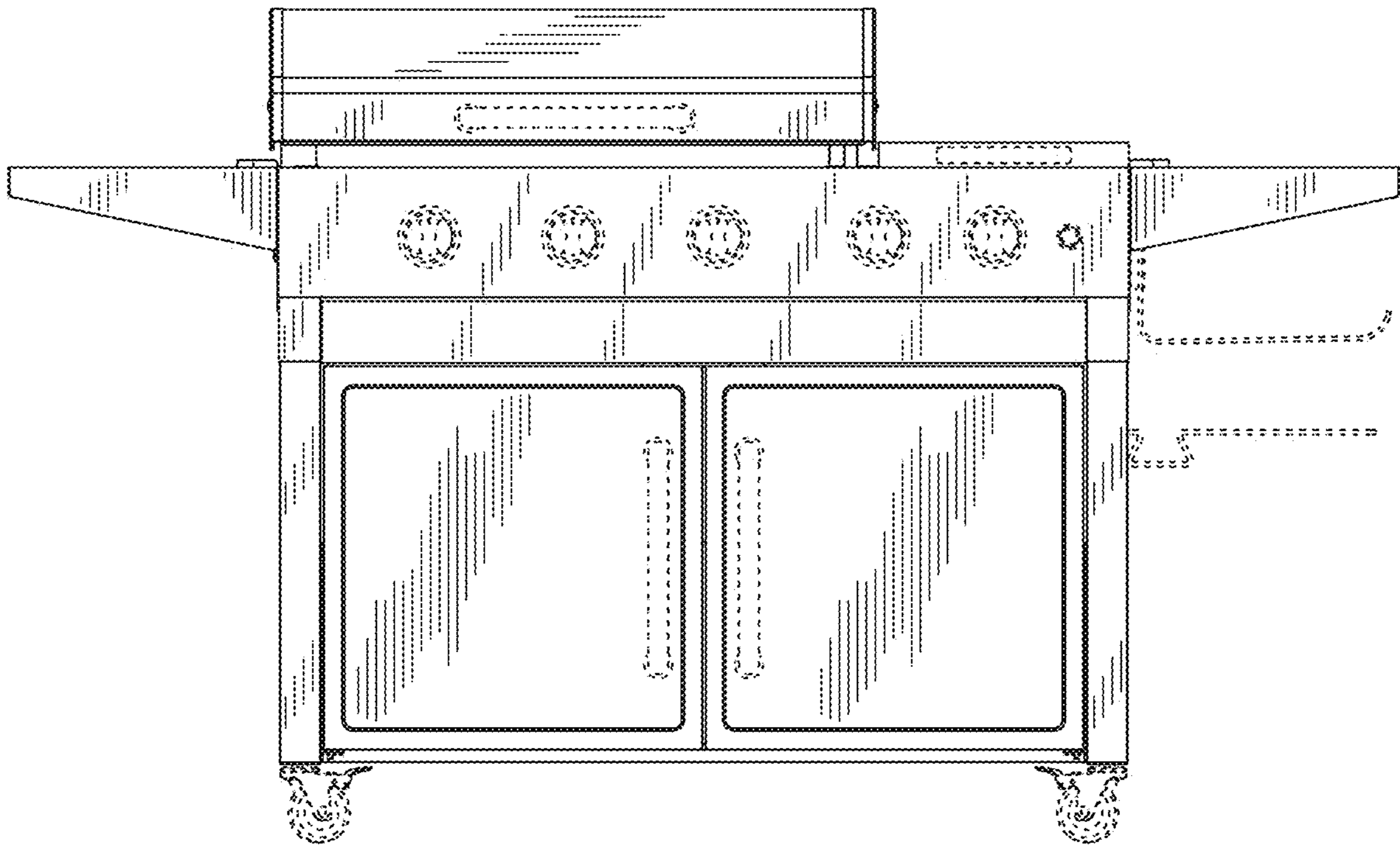


FIG. 2

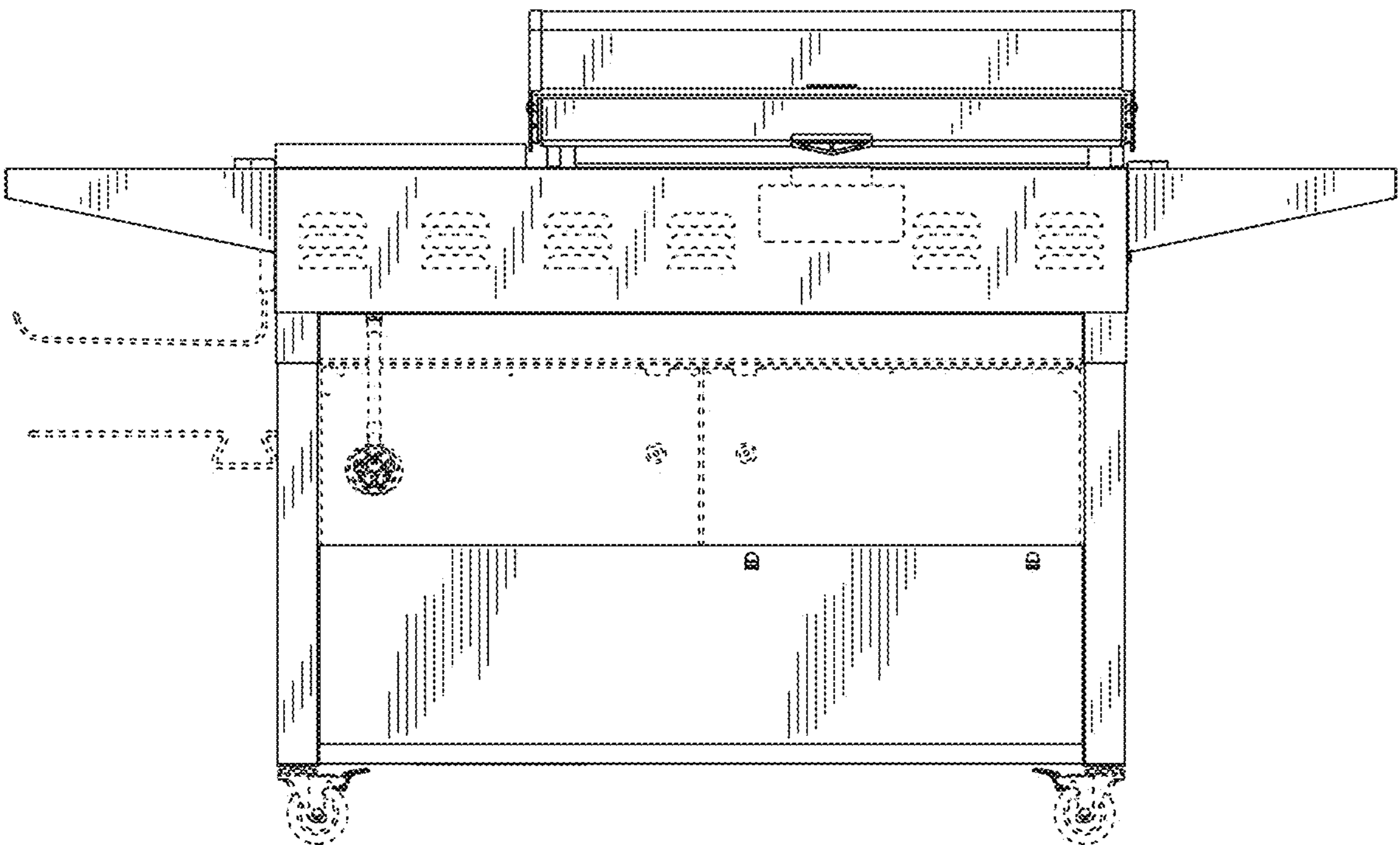


FIG. 3

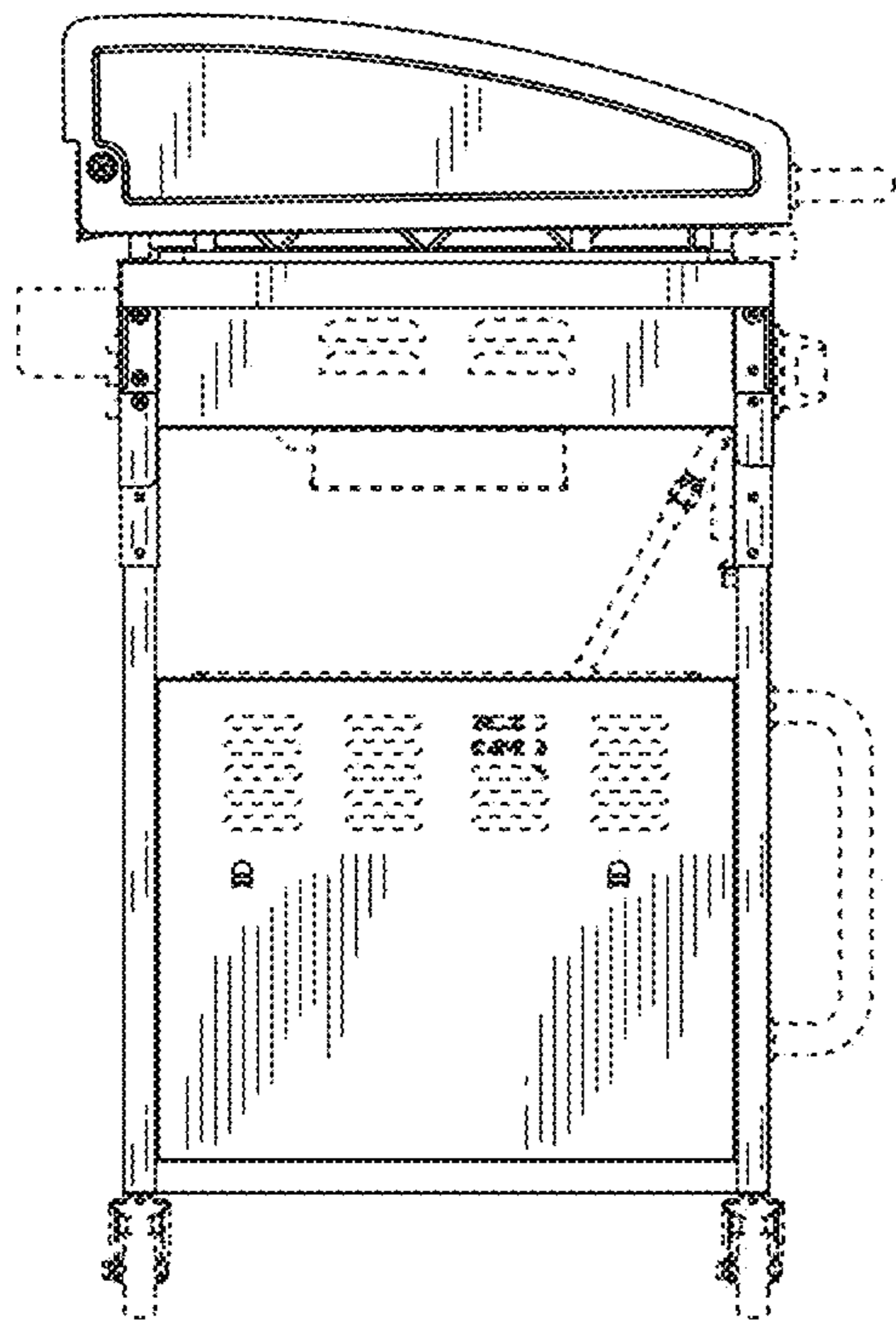


FIG. 4

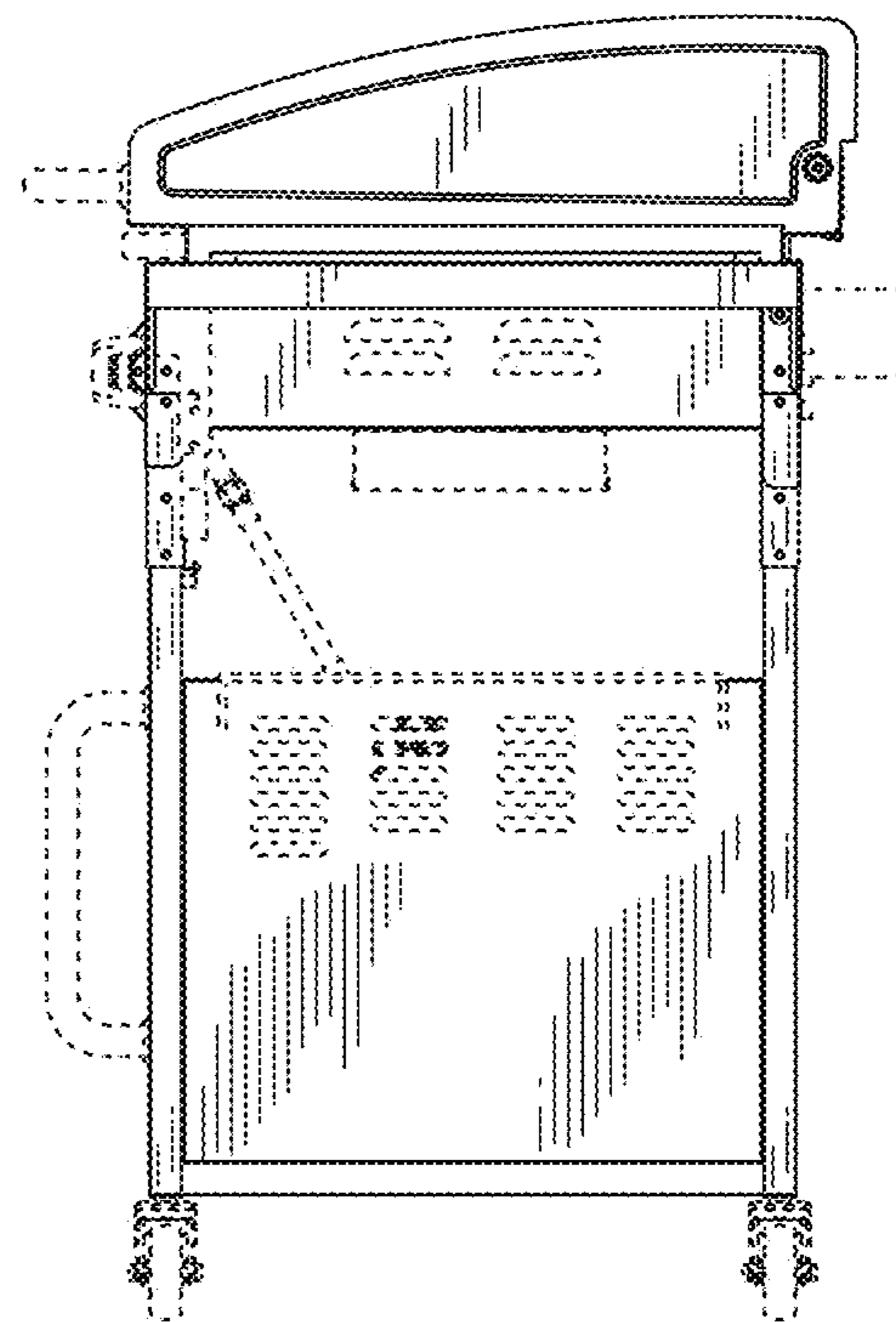


FIG. 5

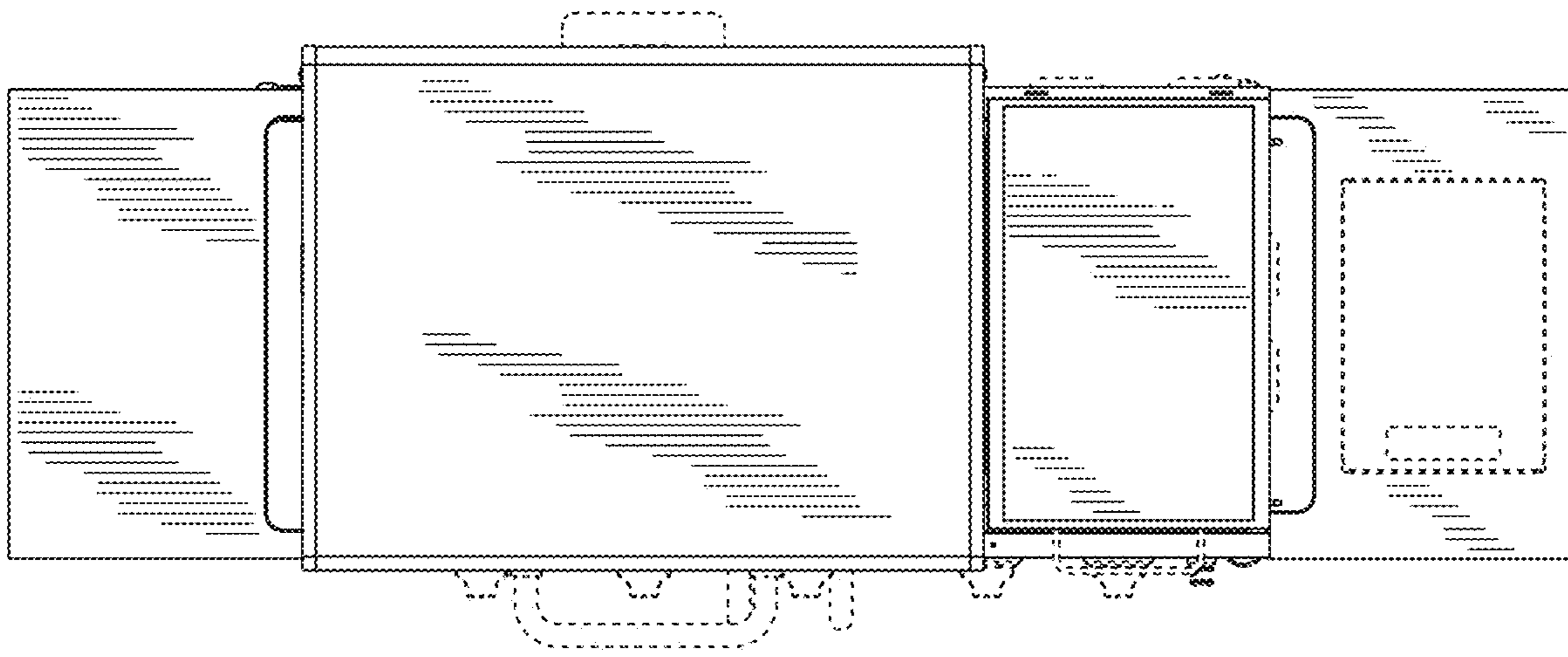


FIG. 6

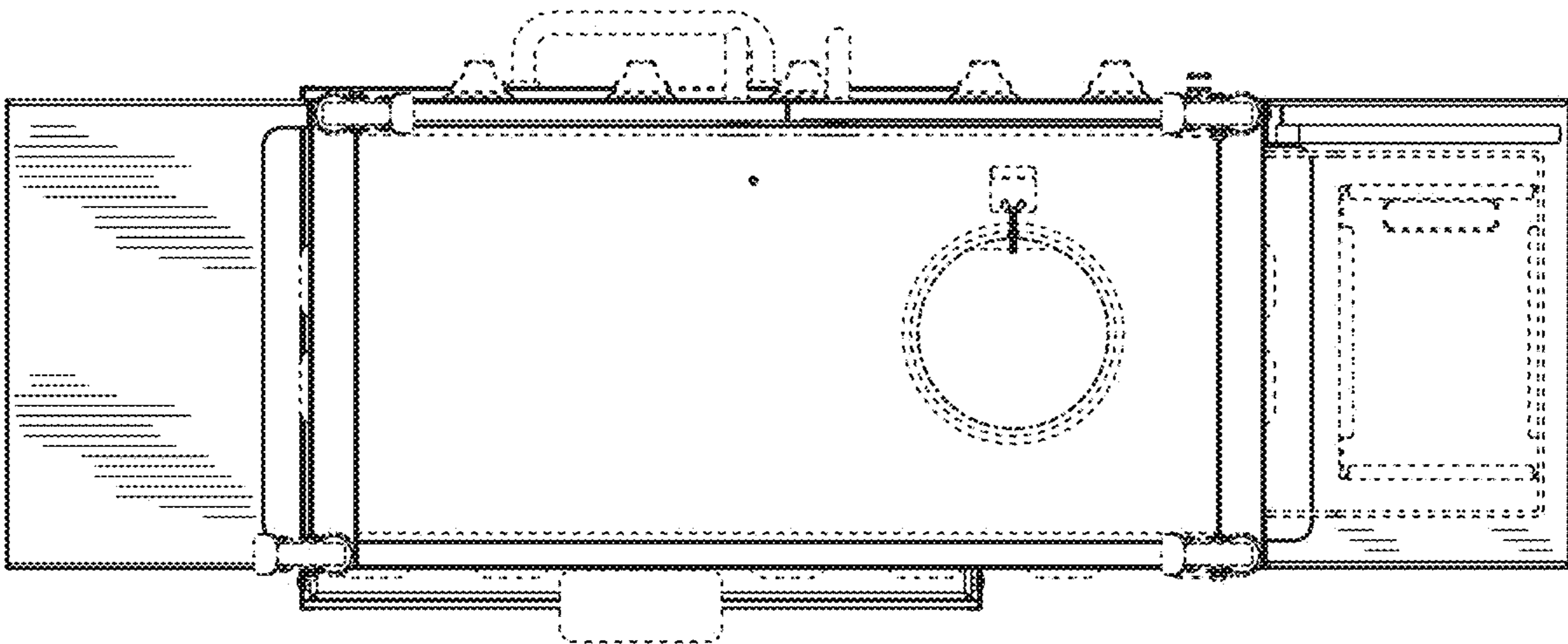


FIG. 7

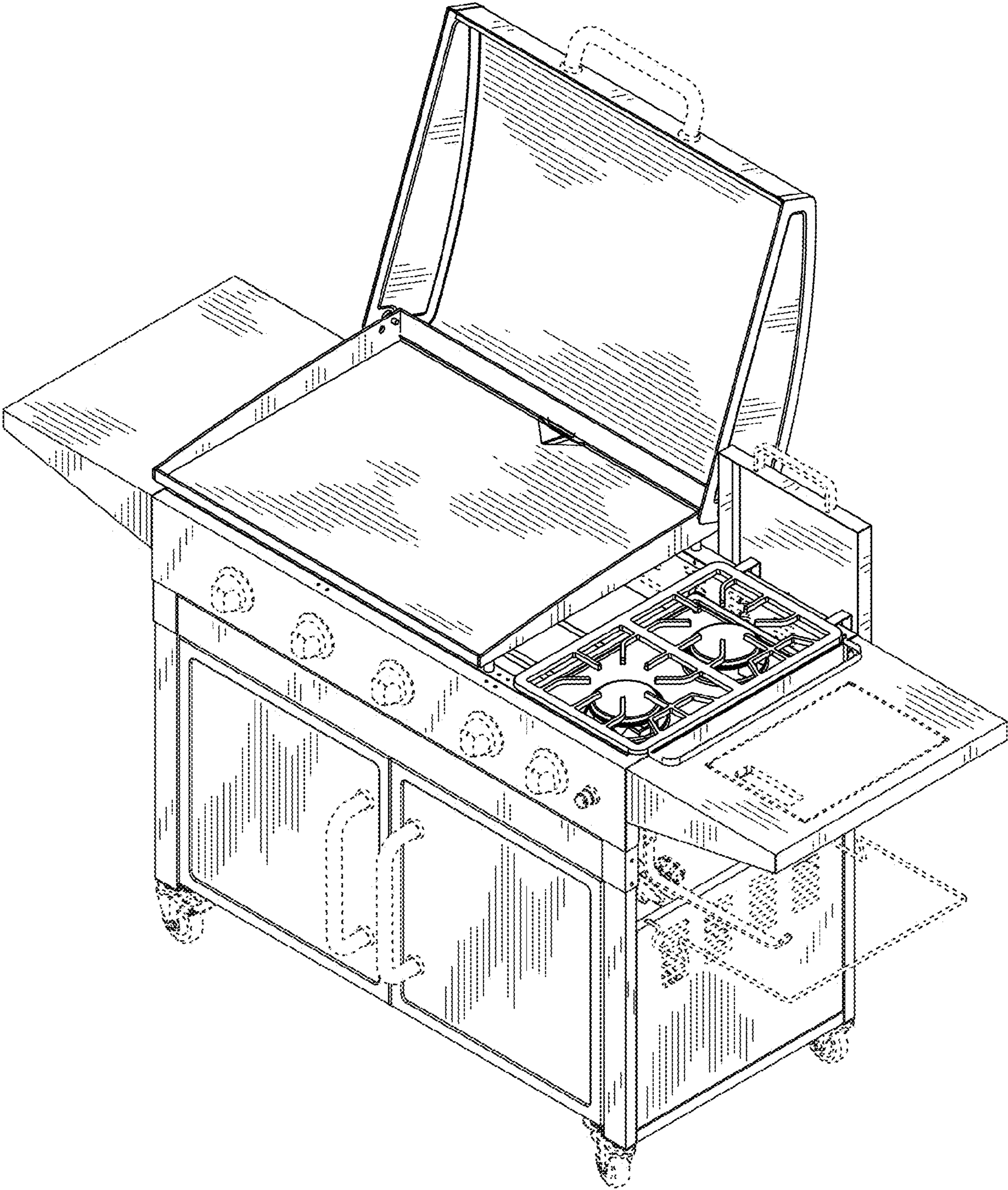


FIG. 8