



US00D934610S

(12) **United States Design Patent**  
**Chung**

(10) **Patent No.:** **US D934,610 S**

(45) **Date of Patent:** **\*\* Nov. 2, 2021**

(54) **GRILL**

(71) Applicant: **Kiosky Chung**, Taichung (TW)

(72) Inventor: **Kiosky Chung**, Taichung (TW)

(\*\*) Term: **15 Years**

(21) Appl. No.: **29/674,833**

(22) Filed: **Dec. 26, 2018**

(51) **LOC (13) Cl.** ..... **07-02**

(52) **U.S. Cl.**  
USPC ..... **D7/334**

(58) **Field of Classification Search**  
USPC ..... D7/323, 331-338, 402-409  
CPC ..... A47J 37/07-0713; A47J 37/0763; A47J  
37/0781

See application file for complete search history.

(56) **References Cited**

**U.S. PATENT DOCUMENTS**

D406,009 S *	2/1999	Wagner	.....	D7/332
D417,587 S *	12/1999	Wagner	.....	D7/402
D465,693 S *	11/2002	Coleman	.....	D7/334
D471,057 S *	3/2003	Chung	.....	D7/334
D490,642 S *	6/2004	Pai	.....	D7/334
D499,928 S *	12/2004	Zhang	.....	D7/334
D501,116 S *	1/2005	Zhang	.....	D7/334
D503,065 S *	3/2005	Pai	.....	D7/334
D529,330 S *	10/2006	Chung	.....	D7/334
D549,511 S *	8/2007	Chung	.....	D7/334
D549,514 S *	8/2007	Chung	.....	D7/334
D557,558 S *	12/2007	Chau	.....	D7/402
D560,418 S *	1/2008	Chau	.....	D7/334
D571,603 S *	6/2008	Chung	.....	D7/334
D571,604 S *	6/2008	Chung	.....	D7/334
D571,605 S *	6/2008	Chung	.....	D7/334

D679,126 S *	4/2013	Davis	.....	D7/334
D679,127 S *	4/2013	Davis	.....	D7/334
D679,128 S *	4/2013	Davis	.....	D7/334
D682,007 S *	5/2013	Davis	.....	D7/334
D688,511 S *	8/2013	Chung	.....	D7/334
D688,512 S *	8/2013	Chung	.....	D7/334
D688,517 S *	8/2013	Eilgus	.....	D7/402
D693,624 S *	11/2013	Chung	.....	D7/334
D709,725 S *	7/2014	Golsch	.....	D7/334
D722,809 S *	2/2015	Chung	.....	D7/334
D722,810 S *	2/2015	Chung	.....	D7/334
D723,860 S *	3/2015	Chung	.....	D7/334
D843,771 S *	3/2019	Wong	.....	D7/334
D845,057 S *	4/2019	Lira-Nunez	.....	D7/334
D848,776 S *	5/2019	Jiang	.....	D7/334
D854,871 S *	7/2019	Williams	.....	D7/334
2010/0132689 A1 *	6/2010	Contarino, Jr.	.....	A47J 37/07 126/25 B

\* cited by examiner

*Primary Examiner* — Brett Miller

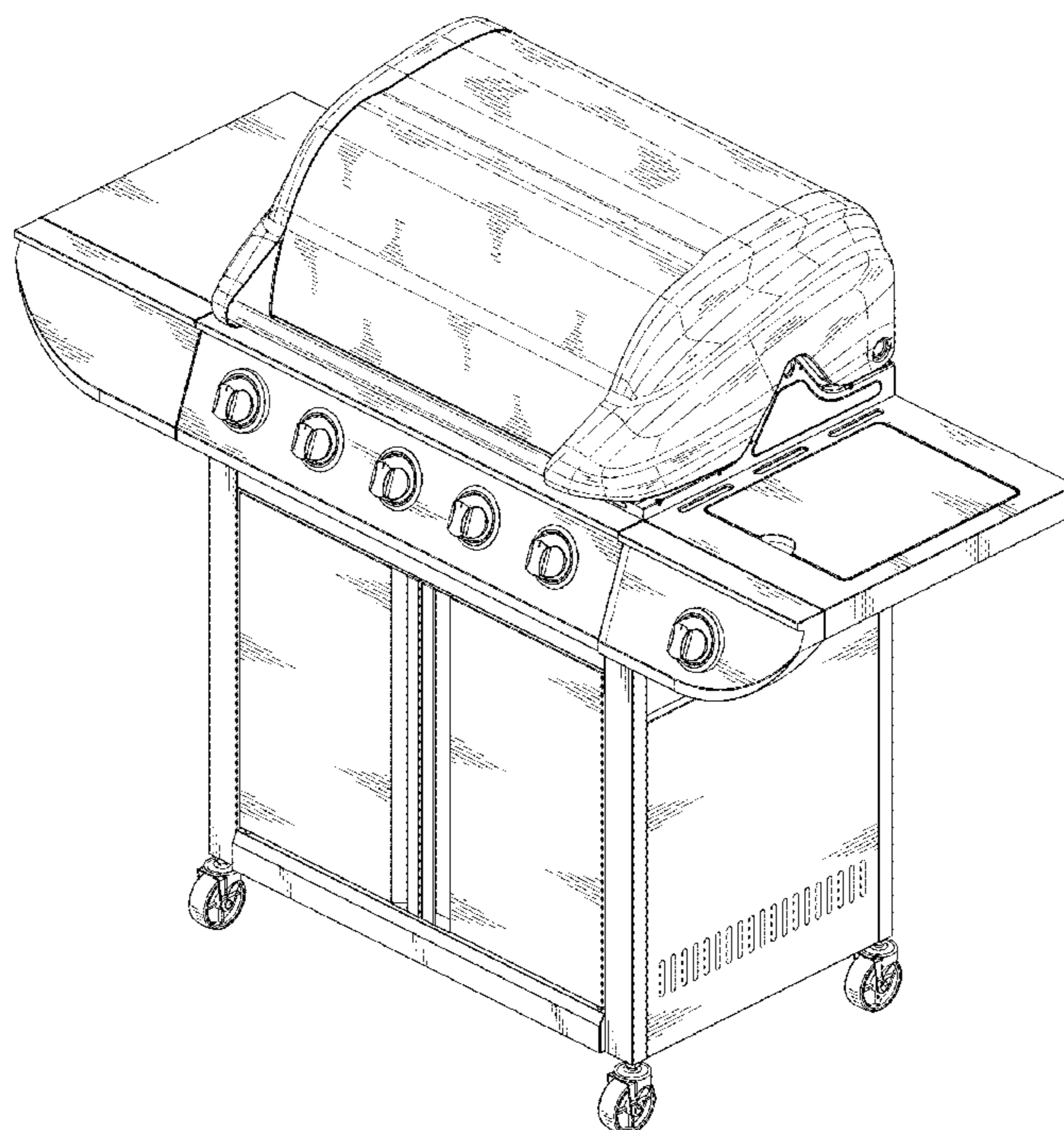
(57) **CLAIM**

The ornamental design for a grill, as shown and described.

**DESCRIPTION**

FIG. 1 is a perspective view of a grill showing my new design;  
FIG. 2 is a front side view thereof;  
FIG. 3 is a back side view thereof;  
FIG. 4 is a left side view thereof;  
FIG. 5 is a right side view thereof;  
FIG. 6 is a top plan view thereof; and,  
FIG. 7 is a bottom plan view thereof.  
The broken lines depict portions of the grill that form no part of the claimed design.

**1 Claim, 6 Drawing Sheets**



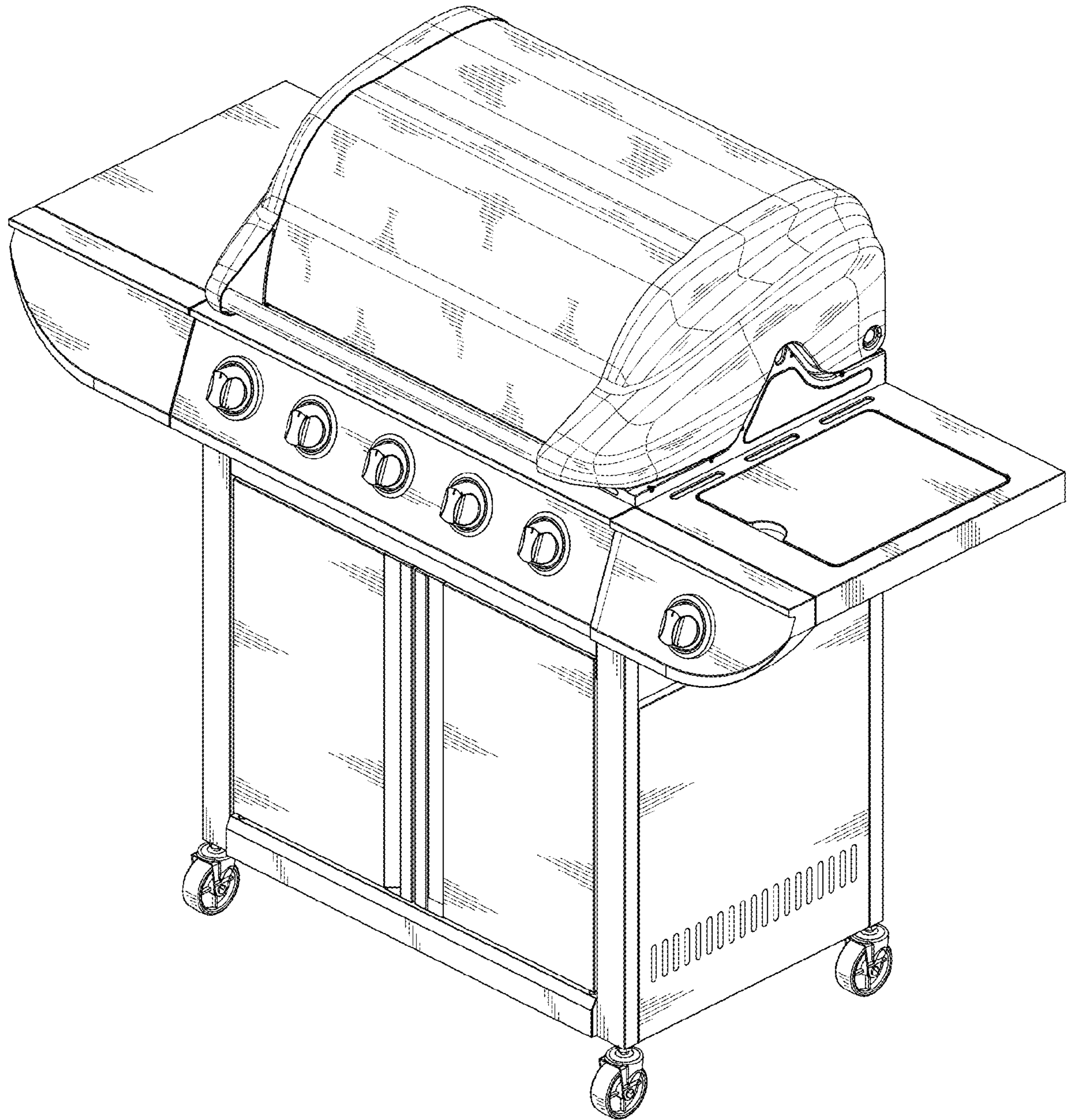


FIG. 1

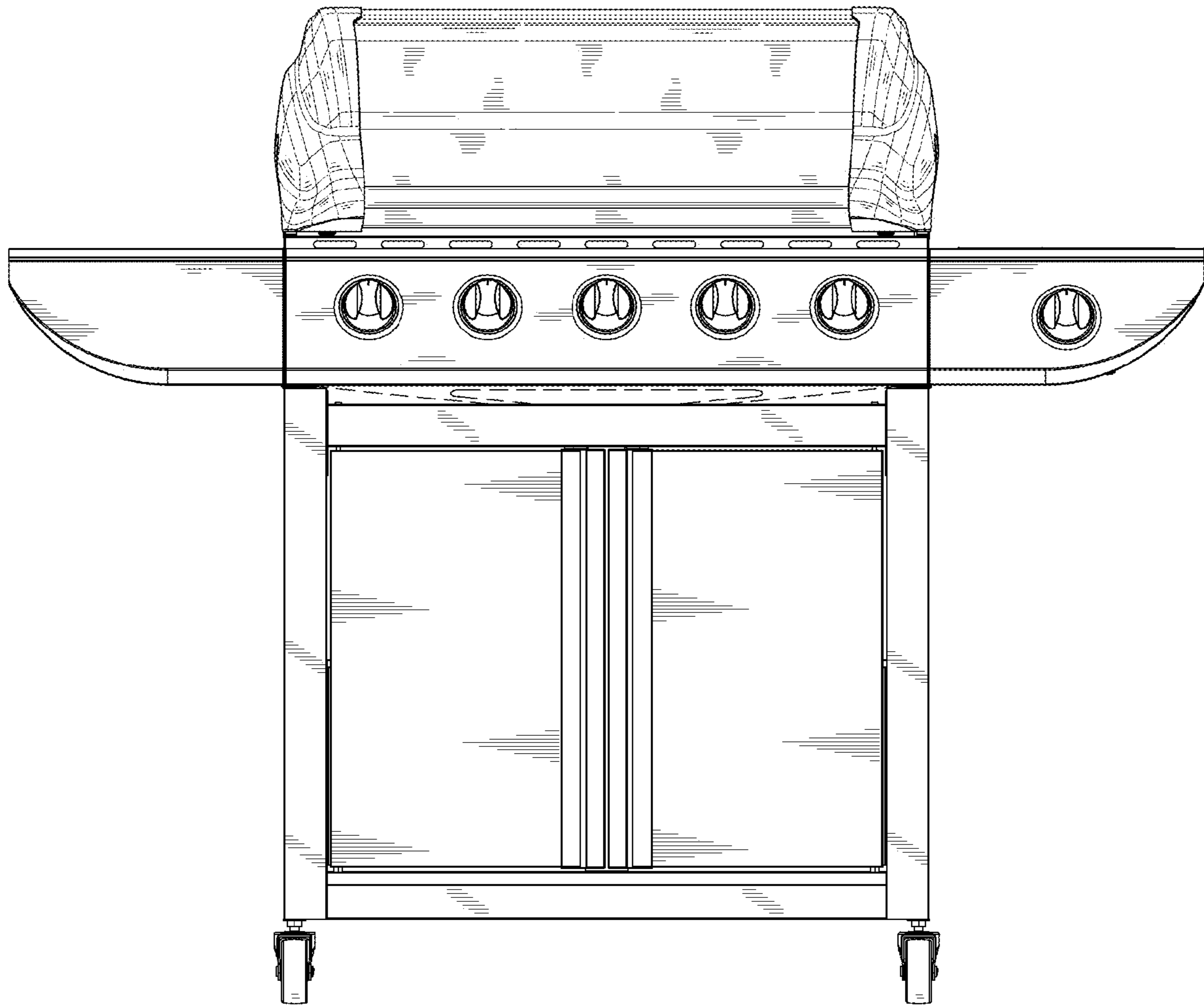


FIG. 2

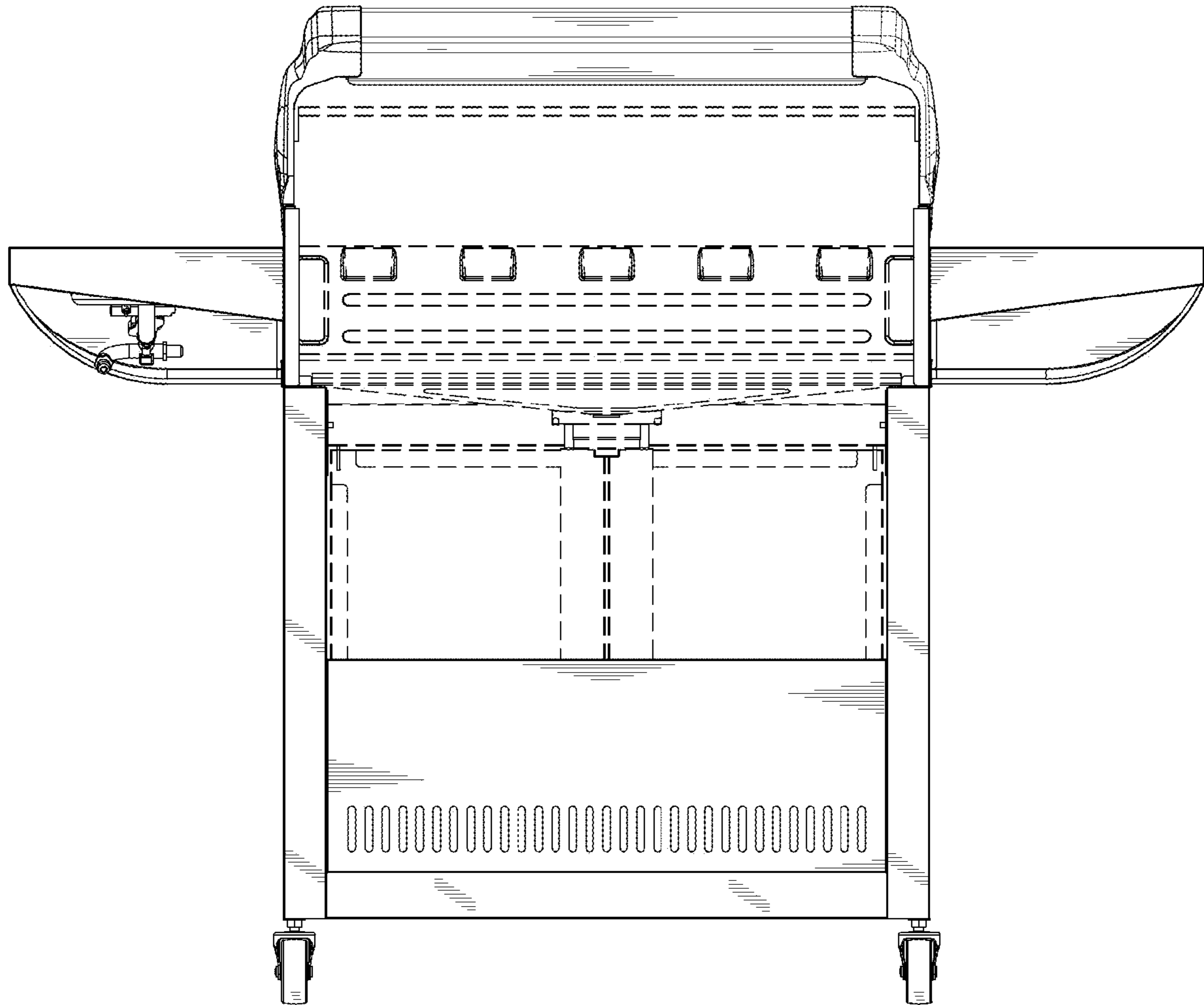


FIG. 3

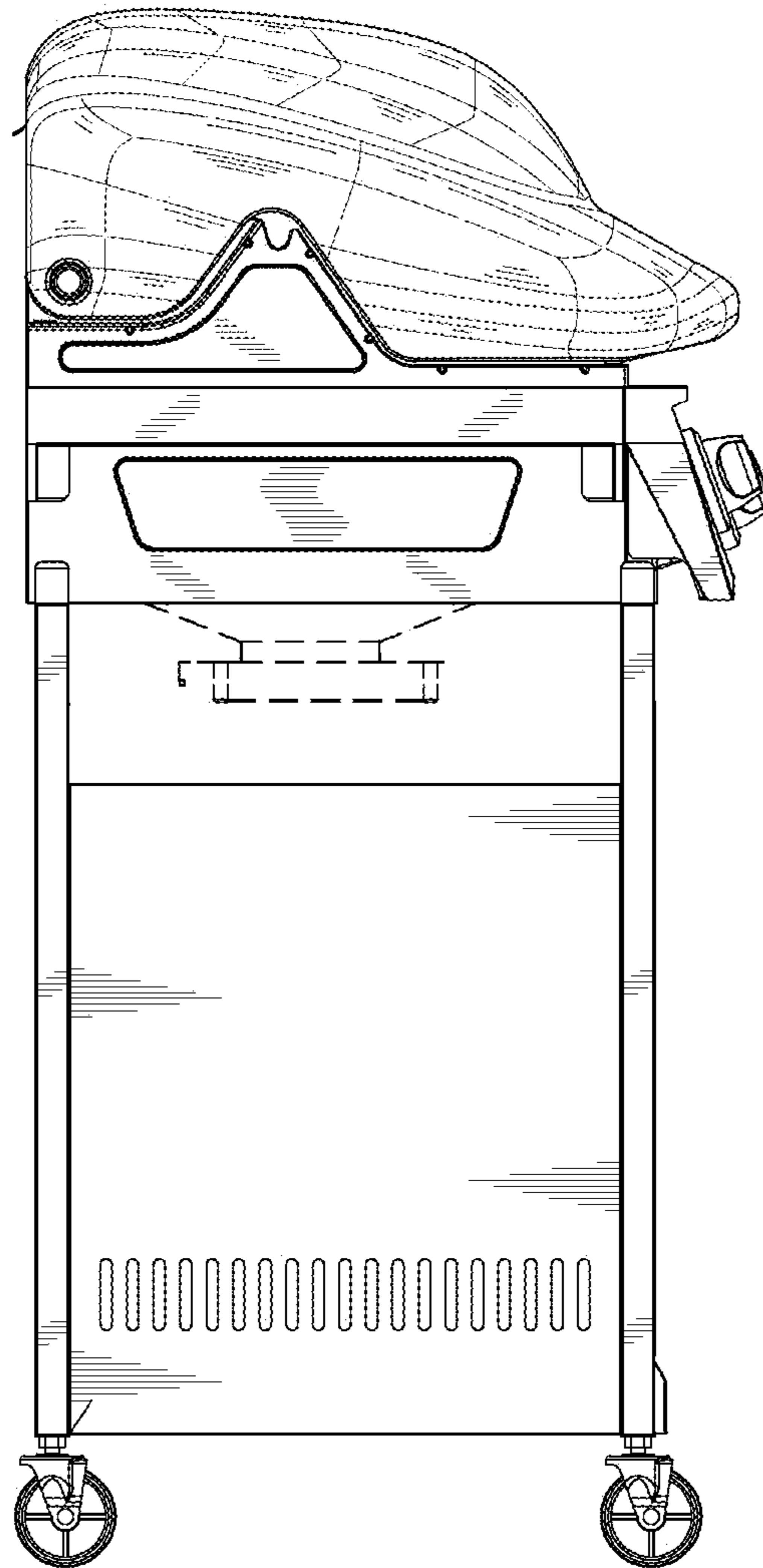


FIG. 4

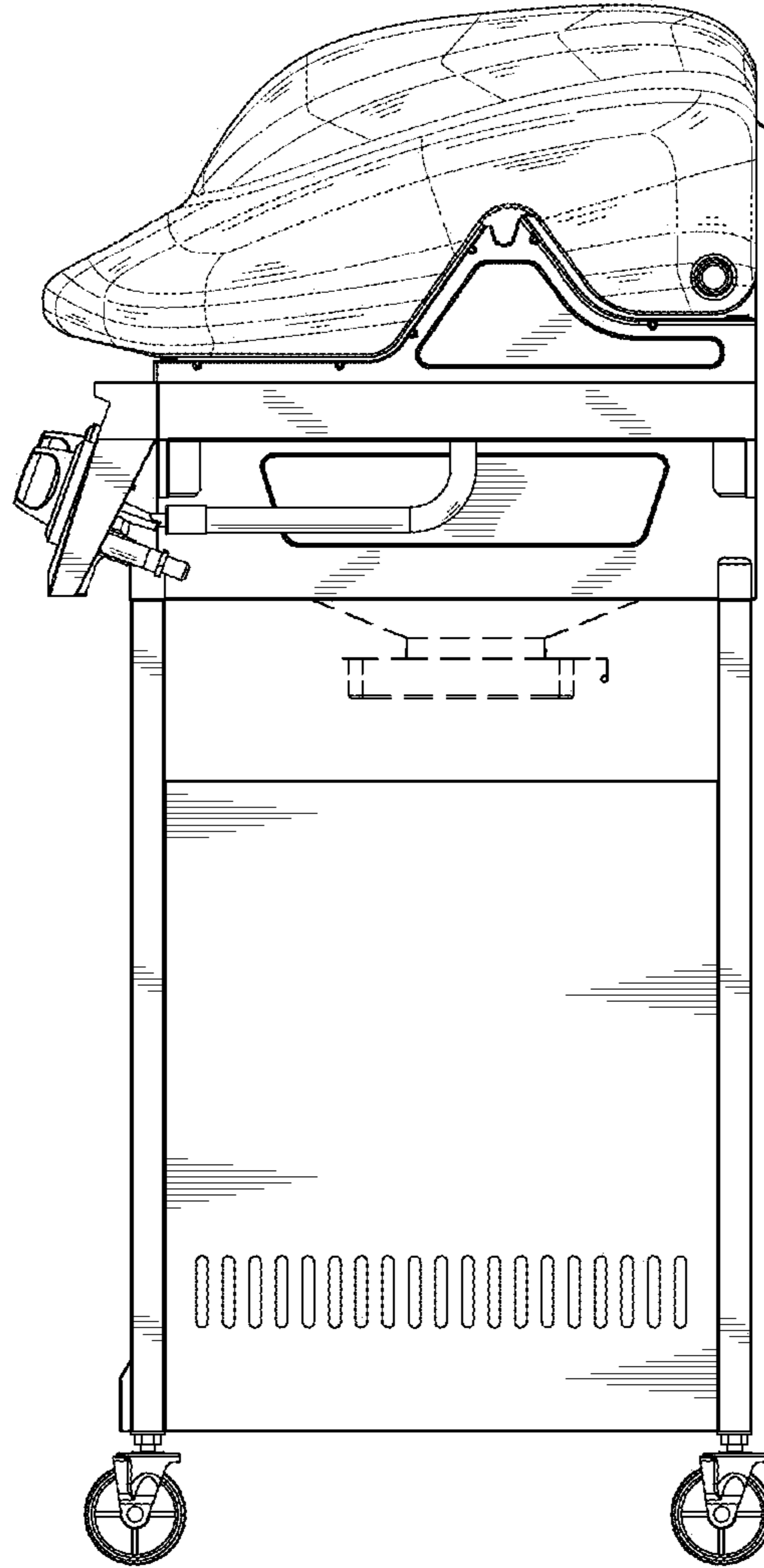


FIG. 5

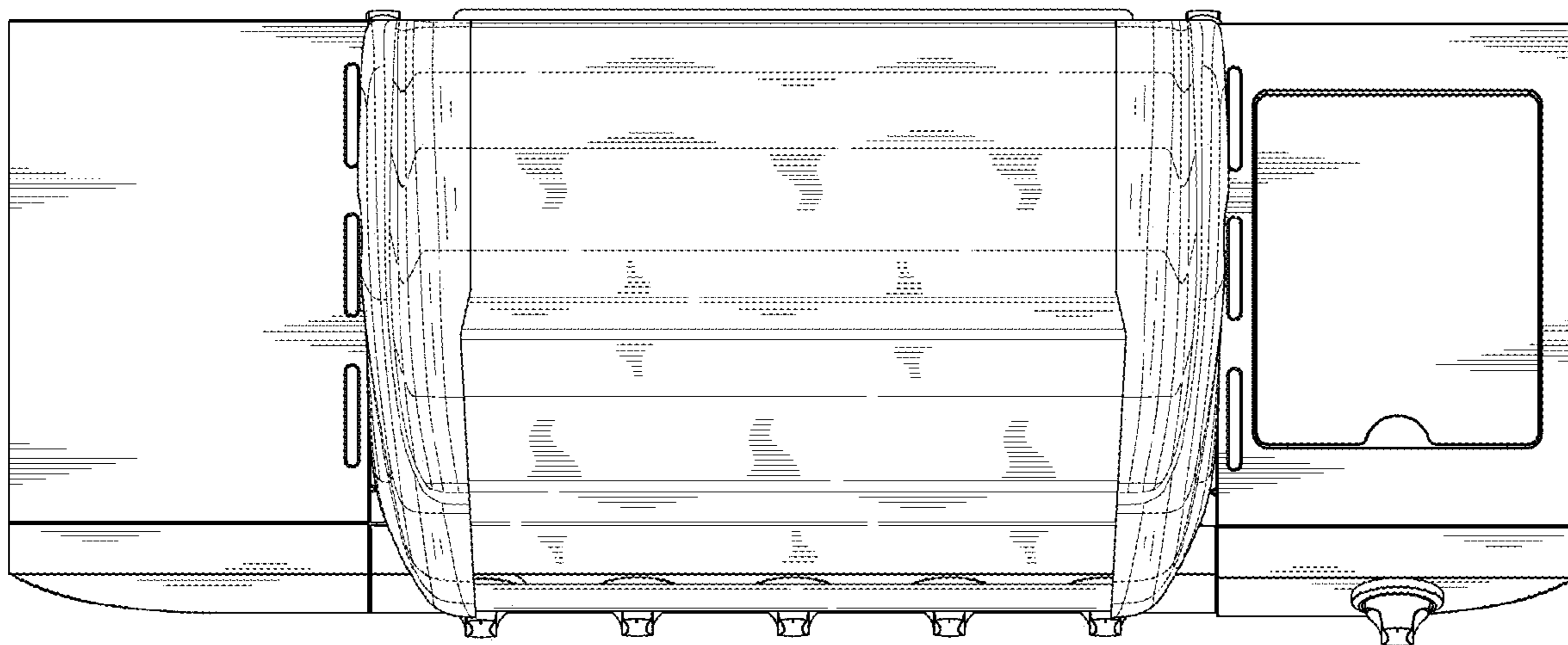


FIG. 6

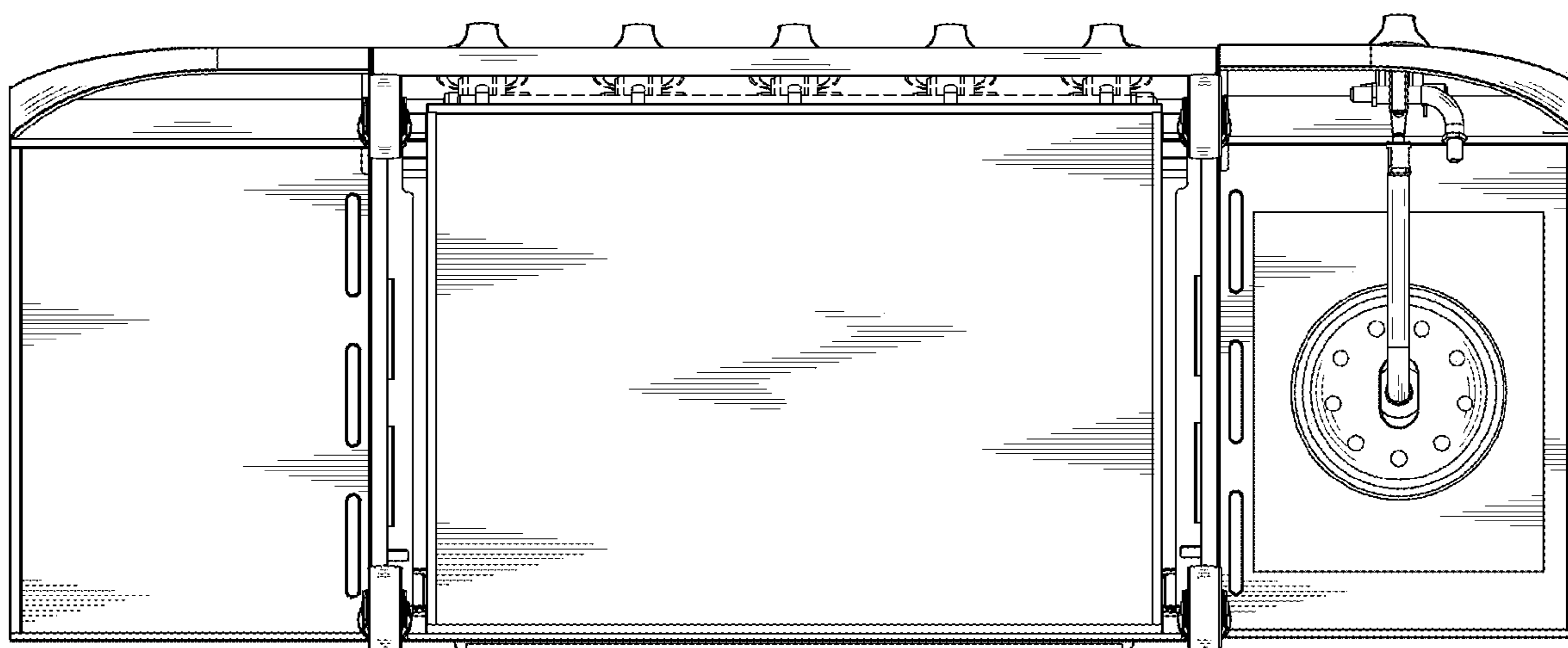


FIG. 7