



US00D934608S

(12) **United States Design Patent** (10) **Patent No.:** **US D934,608 S**
Heath (45) **Date of Patent:** **** Nov. 2, 2021**

(54) **WATER DISPENSER**
(71) Applicant: **Joel Heath**, Santa Barbara, CA (US)
(72) Inventor: **Joel Heath**, Santa Barbara, CA (US)
(73) Assignee: **Company of Motion, LLC**, Santa Barbara, CA (US)

D200,655 S * 3/1965 De Fano D7/313
D239,756 S * 5/1976 Martin D7/309
D239,757 S * 5/1976 Martin D7/309
D240,624 S * 7/1976 MacMurray D23/207
D241,219 S * 8/1976 Martin D7/309
D244,929 S * 7/1977 Armstrong A47J 31/053
D7/313

(Continued)

(**) Term: **15 Years**

FOREIGN PATENT DOCUMENTS

(21) Appl. No.: **29/692,345**

CA 17427 * 3/1950
CA 68248 * 3/1991

(22) Filed: **May 24, 2019**

(Continued)

(51) **LOC (13) Cl.** **07-01**

(52) **U.S. Cl.**

USPC **D7/311**; D7/312

(58) **Field of Classification Search**

USPC D7/300, 305-313, 316, 317, 319-322,
D7/376, 354, 359, 367, 372, 373, 386,
D7/387, 397-401, 665, 667, 679, 700;
D9/416; D30/121, 129, 132; D15/80-82;
D23/207; D20/1, 4

CPC A47J 31/02; A47J 31/0573; A47J 31/06;
A47J 31/061; A47J 31/0615; A47J
31/0626; A47J 31/0689; A47J 31/18;
A47J 31/24; A47J 31/36; A47J 31/3633;
A47J 31/407; A47J 31/44; A47J 31/4403;
A47J 31/4482; A47J 31/46; A47J 31/467;
A47J 31/50; A47J 31/52; A47J 31/56;
A47J 19/00; A47J 19/02; A47J 19/023;
A47J 19/027; A47J 19/06; A47J 27/04;
A47J 2203/00; B67D 3/00; B67D 1/0004;
B67D 1/0021; B67D 1/0085; B67D
1/0086; B67D 1/0089; B67D 1/0857;
B67D 1/0867; B65D 2581/3409; B65D
2001/0087; B65D 85/804; B65D 85/8043;
A23F 5/262

See application file for complete search history.

(56) **References Cited**

U.S. PATENT DOCUMENTS

D143,887 S * 2/1946 Thompson D7/307
D192,177 S * 2/1962 Krause D7/313

OTHER PUBLICATIONS

Berkey, "Berkey Light Gravity-Fed Water Filter," Oct. 2, 2003,
Amazon.com, www.amazon.com/dp/B00BWIWX9A (Year: 2003).*

(Continued)

Primary Examiner — Janice Patyk
Assistant Examiner — Arva P Adams

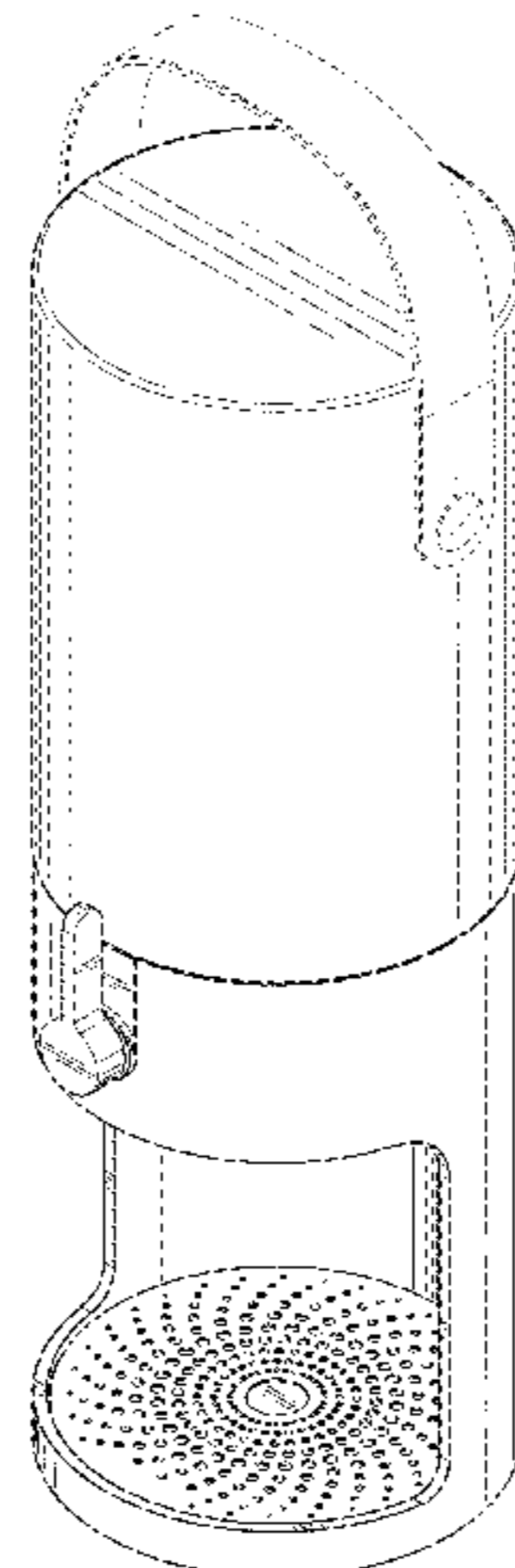
(57) **CLAIM**

The ornamental design for a water dispenser, as shown and described.

DESCRIPTION

FIG. 1 is a front perspective view of a water dispenser illustrating my new design;
FIG. 2 is a front view thereof;
FIG. 3 is a rear view thereof;
FIG. 4 is a left side view thereof;
FIG. 5 is a right side view thereof;
FIG. 6 is a top view thereof; and,
FIG. 7 is a bottom view thereof.
The broken lines illustrate portions of the water dispenser that form no part of the claimed design.

1 Claim, 7 Drawing Sheets



(56)

References Cited

U.S. PATENT DOCUMENTS

D248,718 S * 8/1978 Little D7/313
 D254,109 S * 2/1980 Price D6/527
 4,464,983 A * 8/1984 Chappell A47J 31/053
 222/209
 D296,857 S * 7/1988 Stutzer D7/309
 D298,602 S * 11/1988 Price D7/313
 D320,138 S * 9/1991 Steinkamp D7/309
 D356,713 S * 3/1995 Groover D7/306
 D379,132 S * 5/1997 Brady D7/309
 D385,747 S * 11/1997 Inoue D7/311
 D399,698 S * 10/1998 Saltet D7/309
 D401,474 S * 11/1998 Leatherman D7/397
 D464,226 S * 10/2002 Lassota D7/306
 D563,142 S * 3/2008 Kauer D7/306
 D594,266 S * 6/2009 Nakatani D7/306
 D632,921 S * 2/2011 Kang D7/376
 7,926,413 B2 * 4/2011 Hart A47J 31/4403
 99/279
 D694,566 S * 12/2013 Harthoorn A47J 31/4403
 D7/309
 D821,795 S * 7/2018 Horimoto D7/306

FOREIGN PATENT DOCUMENTS

CA 68917 * 7/1991
 CA 92637 * 6/2001

CA 122302 * 10/2008
 CN 303705288 * 6/2016
 IN 241078-0001 * 4/2012

OTHER PUBLICATIONS

Webstaurantstore, "1.3 Gallon Electric Juice Dispenser," Jul. 5, 2013, WebstaurantStore, www.webstaurantstore.com/1-3-gallon-electric-juice-dispenser/407EJD13SS.html (Year: 2013).*

Edgebridge, "Fahrenheit Bottleless Water Cooler," Dec. 31, 2013, Edgebridge, <https://edgebridge123.wordpress.com/2013/12/31/fahrenheit-bottleless-water-cooler-black-with-black-trim-kit/> (Year: 2013).*

Thermo Concepts, "Celsius Countertop Bottled Water Cooler," Oct. 25, 2013, Amazon.com, www.amazon.com/dp/B00G6UEIR4 (Year: 2013).*

Bryman, Howard, "The Spinn Coffee Brewer is Poised to Turn Some Heads," Oct. 7, 2015, Daily Coffee News, <https://dailycoffeenews.com/2015/10/07/the-spinn-coffee-brewer-is-poised-to-turn-some-heads/> (Year: 2015).*

Bennett, Brian, "Will Spinn sling great coffee or just hype?" Feb. 24, 2017, C|Net, www.cnet.com/reviews/spinn-coffee-maker-preview/ (Year: 2017).*

Hubert, "Hubert Tea & Coffee Dispenser 1.5 gal Thermal Gravity," Jul. 24, 2018, Amazon.ca, www.amazon.ca/dp/B07FTSWSSM (Year: 2018).*

Zojirushi, "SY-BA60 Thermal Gravity Pot Beverage Dispenser," Mar. 29, 2018, Amazon.com, www.amazon.com/dp/B07C9RHMM7 (Year: 2018).*

* cited by examiner

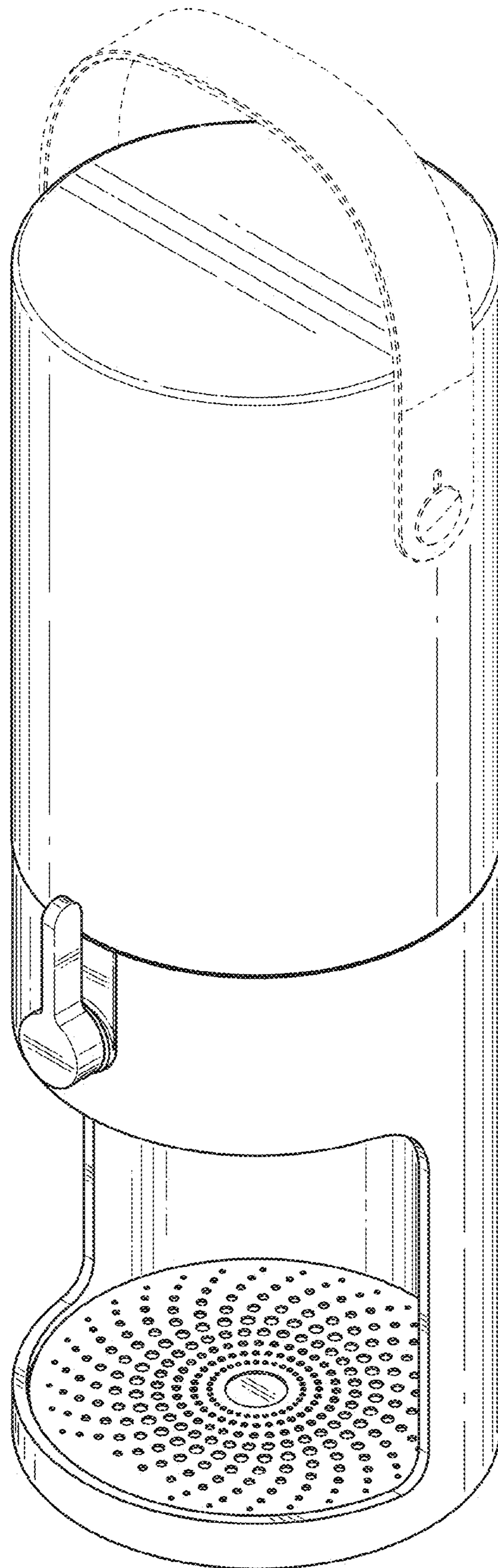


FIG. 1

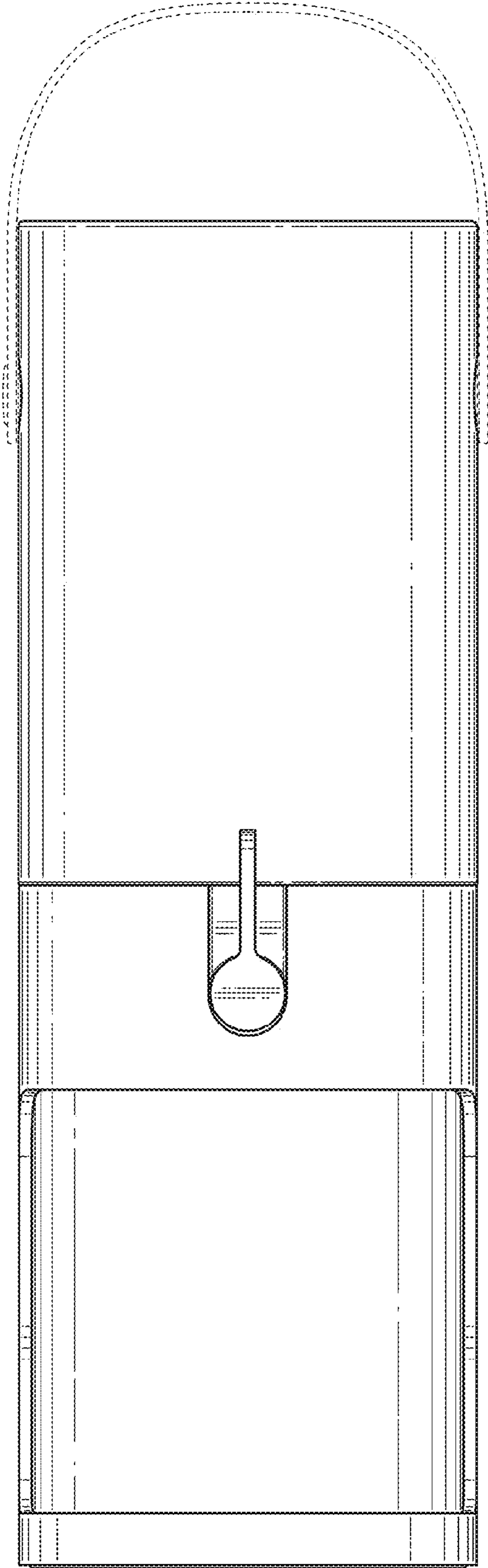


FIG. 2

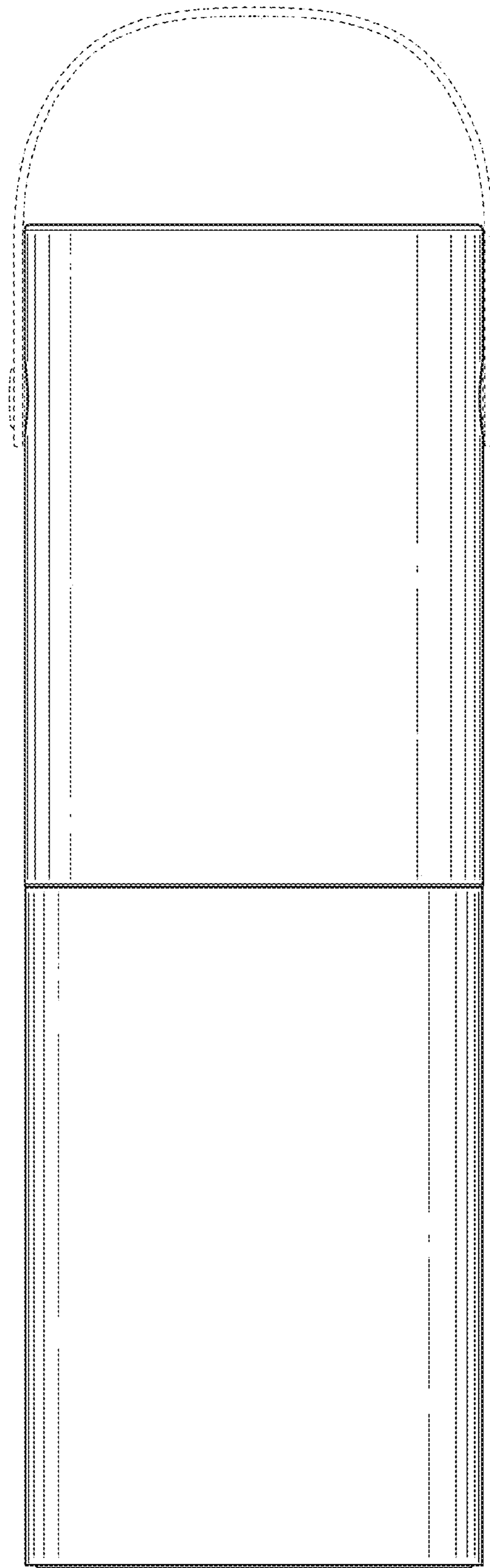


FIG. 3

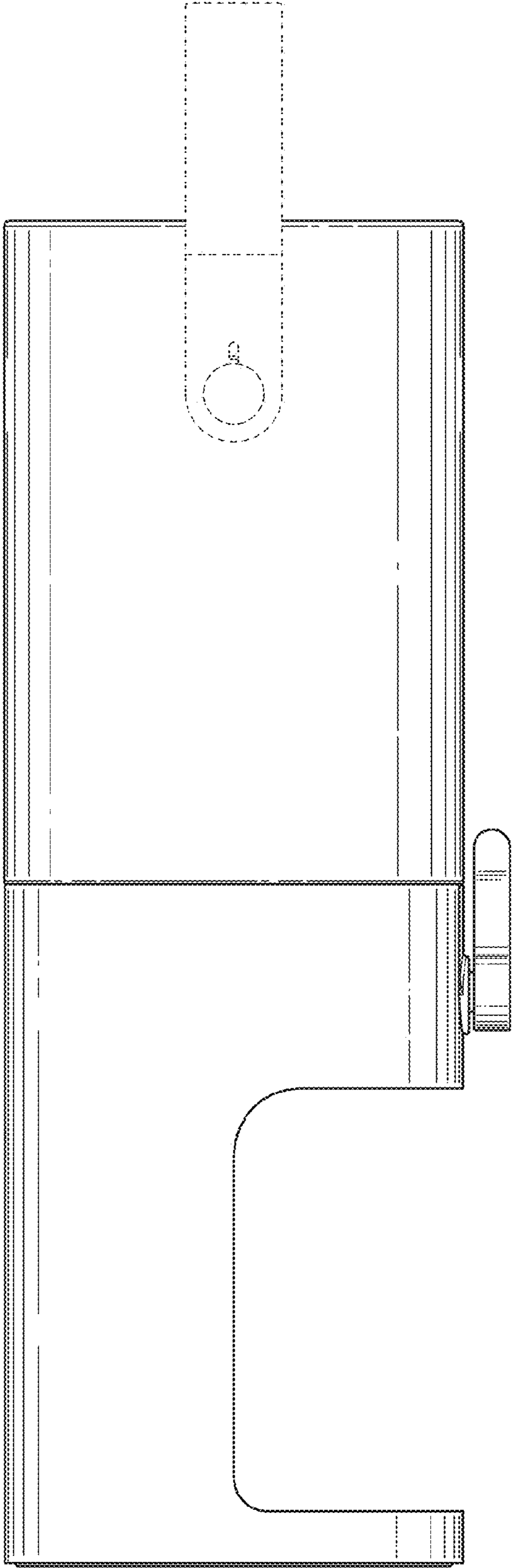


FIG. 4

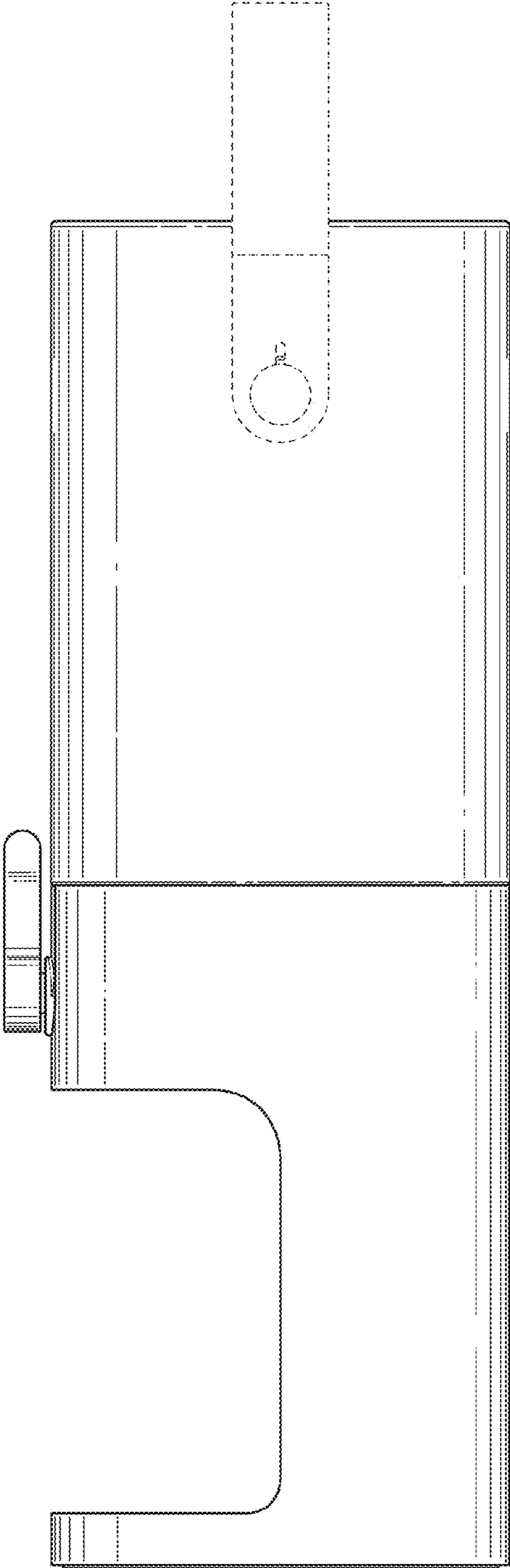


FIG. 5

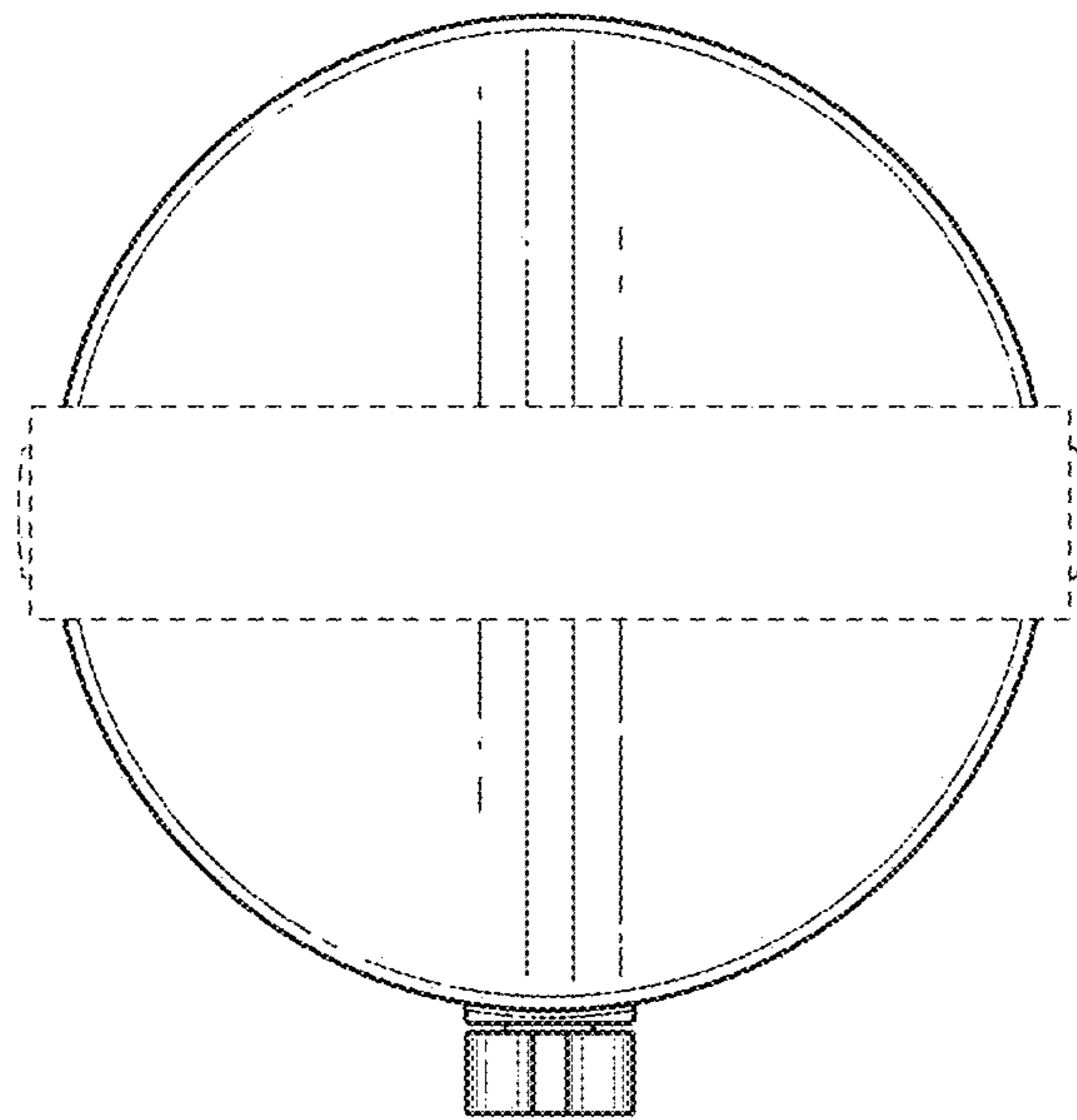


FIG. 6

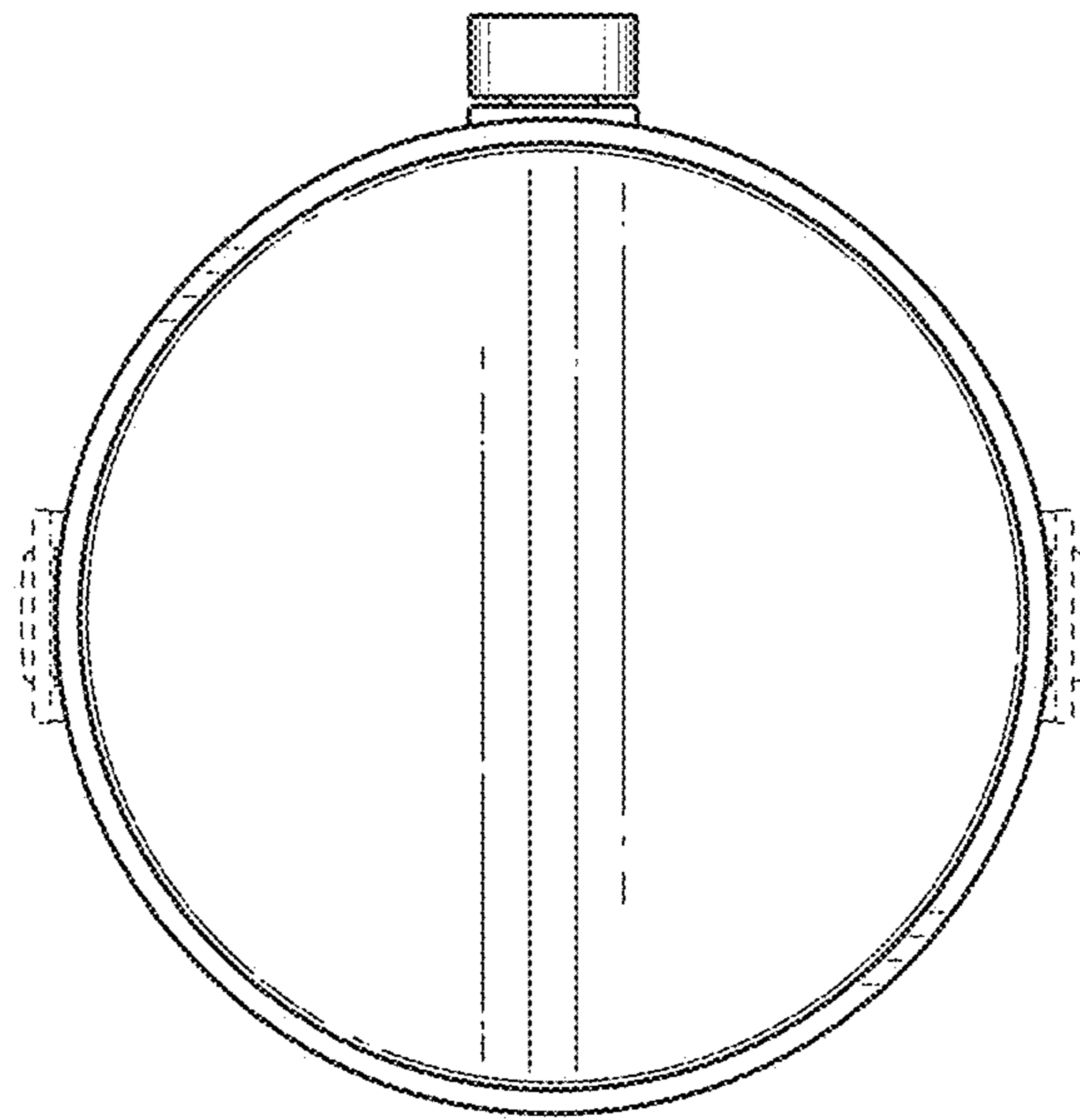


FIG. 7