



US00D934606S

(12) **United States Design Patent**  
**Liao**

(10) **Patent No.:** **US D934,606 S**  
(45) **Date of Patent:** **\*\* Nov. 2, 2021**

(54) **CHAIR**

(71) Applicant: **NINGBO CHENXIN OPTOELECTRONICS TECHNOLOGY CO., LTD.**, Ningbo (CN)

(72) Inventor: **Wurong Liao**, Yongzhou (CN)

(73) Assignee: **NINGBO CHENXIN OPTOELECTRONICS TECHNOLOGY CO., LTD.**, Ningbo (CN)

(\*\*) Term: **15 Years**

(21) Appl. No.: **29/736,246**

(22) Filed: **May 28, 2020**

(51) **LOC (13) Cl.** ..... **06-01**

(52) **U.S. Cl.**  
USPC ..... **D6/716**

(58) **Field of Classification Search**  
USPC ..... D6/334, 356, 361, 366, 367, 374, 375, D6/378, 380, 381, 716, 716.1, 716.4  
CPC ..... A47C 3/0257; A47C 3/16; A47C 3/18; A47C 3/20; A47C 3/26; A47C 1/02; A47C 1/03255; A47C 7/18; A47C 7/24; A47C 7/29; A47C 7/36; A47C 7/38; A47C 7/40; A47C 7/46; A47C 7/54; A47C 7/282; A47C 11/00

See application file for complete search history.

(56) **References Cited**

U.S. PATENT DOCUMENTS

D861,367 S	*	10/2019	Shen	.....	D6/366
D869,214 S	*	12/2019	Chen	.....	D6/716
D885,779 S	*	6/2020	Li	.....	D6/366
D897,709 S	*	10/2020	Li	.....	D6/366
D910,329 S	*	2/2021	Wang	.....	D6/366
D911,055 S	*	2/2021	Wang	.....	D6/366
D923,350 S	*	6/2021	Chen	.....	D6/366
D925,936 S	*	7/2021	Zhou	.....	D6/366

\* cited by examiner

*Primary Examiner* — R. Johnson

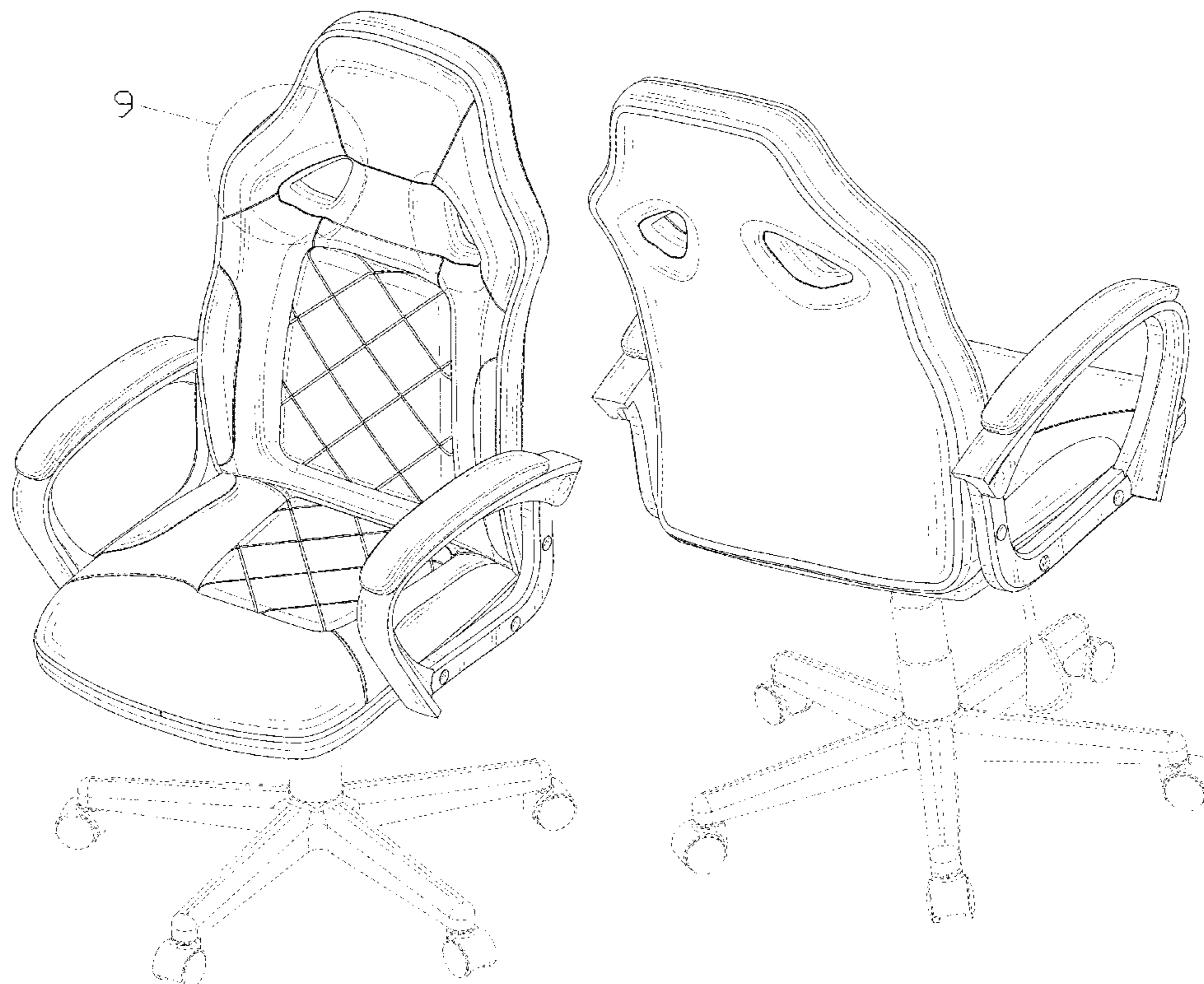
(57) **CLAIM**

The ornamental design for a chair, as shown and described.

**DESCRIPTION**

FIG. 1 is a perspective view of a chair showing my new design;  
FIG. 2 is another perspective view thereof;  
FIG. 3 is a front elevational view thereof;  
FIG. 4 is a rear elevational view thereof;  
FIG. 5 is a left side elevational view thereof;  
FIG. 6 is a right side elevational view thereof;  
FIG. 7 is a top plan view thereof;  
FIG. 8 is a bottom plan view thereof; and,  
FIG. 9 is an enlarged perspective view taken at line 9 shown in FIG. 1.  
The broken lines in the drawings depict portions of the chair that form no part of the claimed design.

**1 Claim, 9 Drawing Sheets**



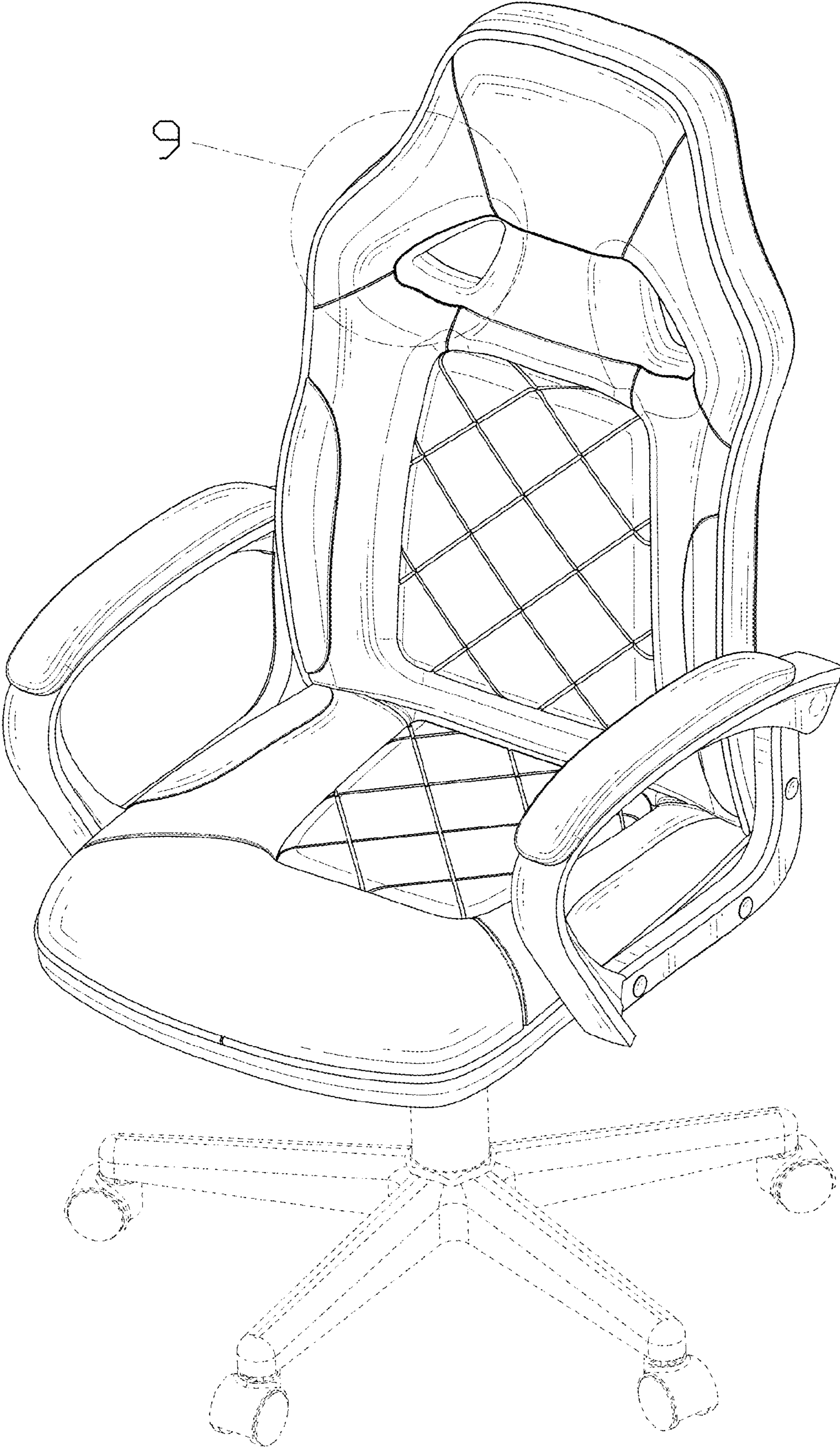


FIG. 1



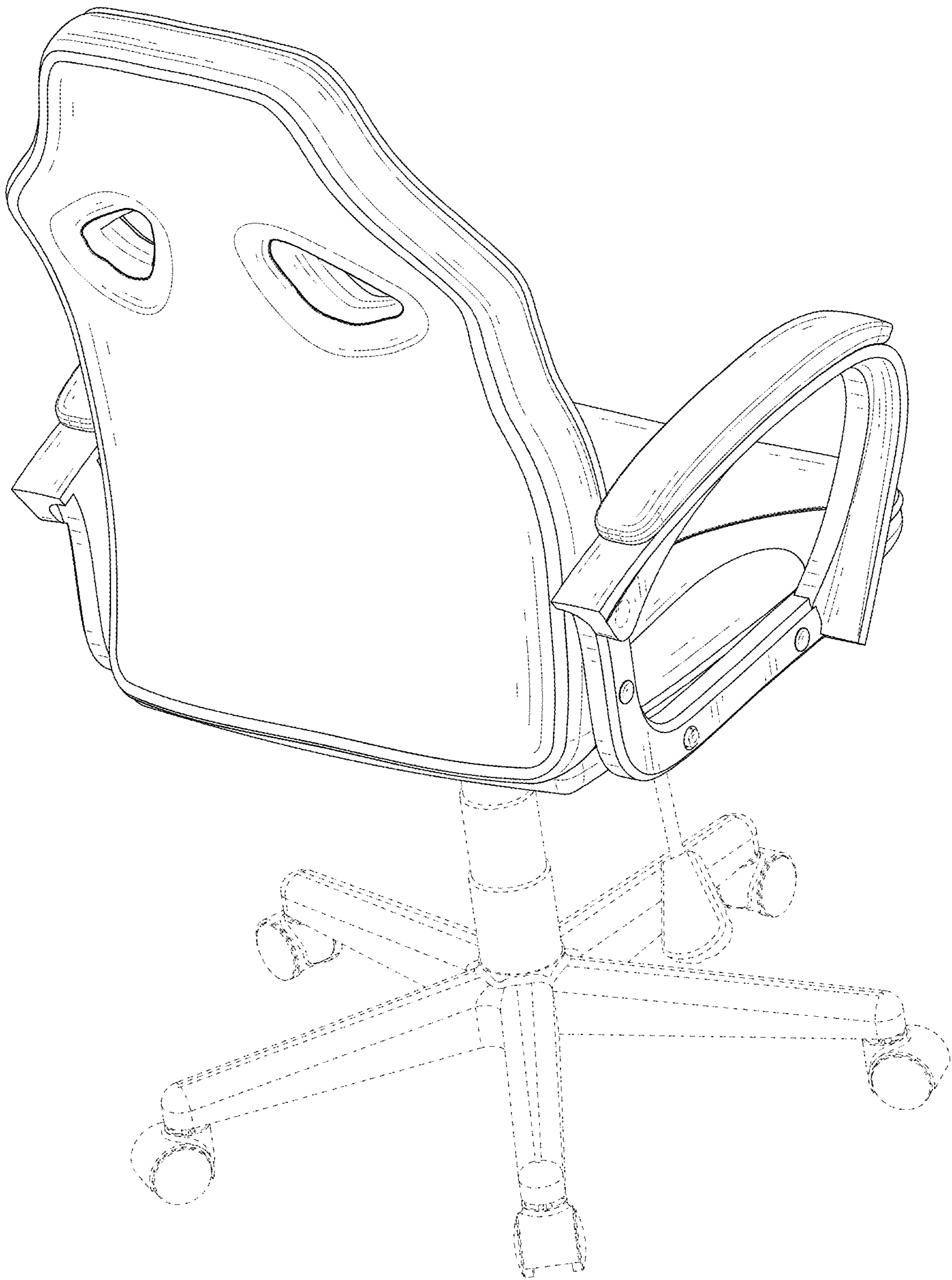


FIG. 2

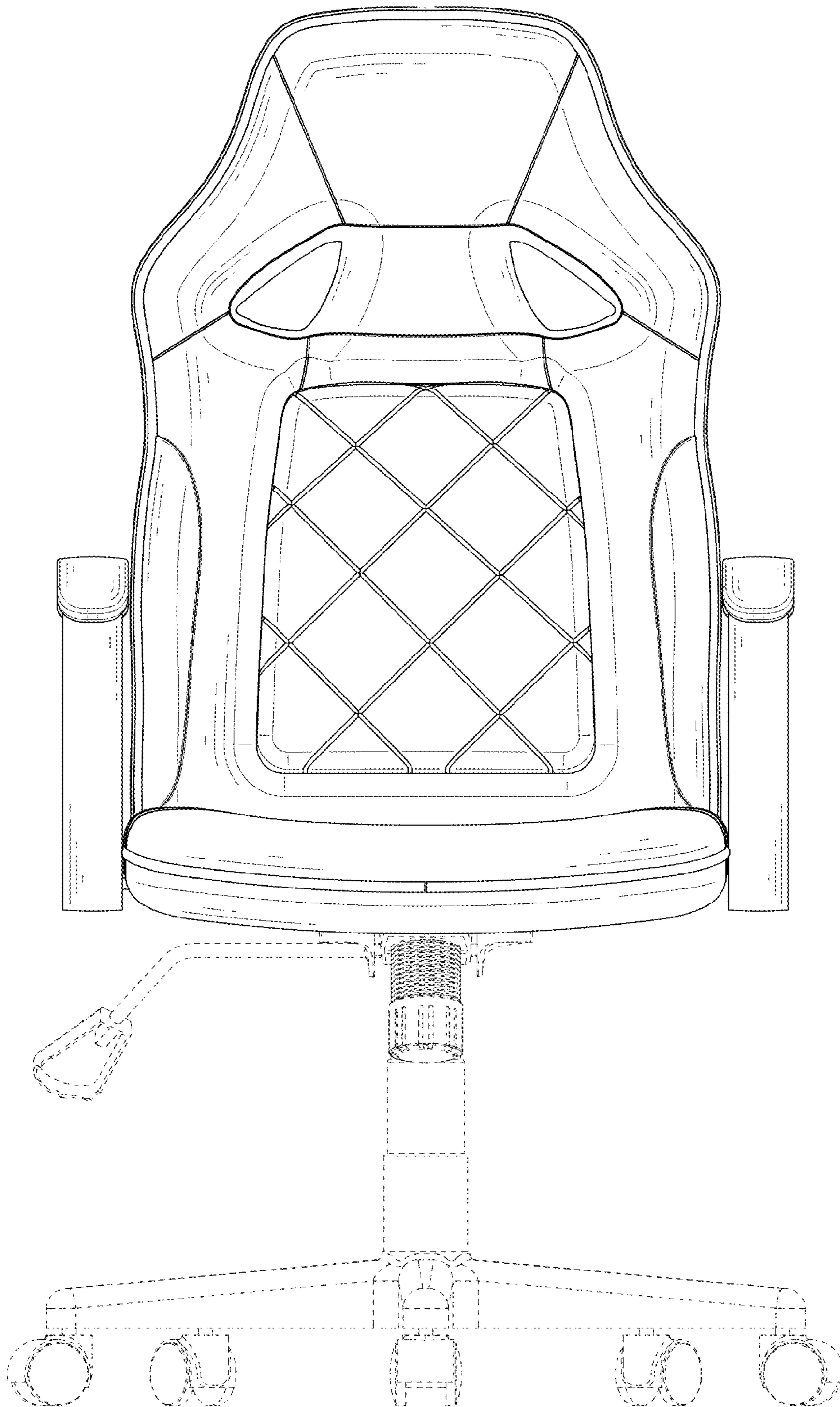


FIG. 3

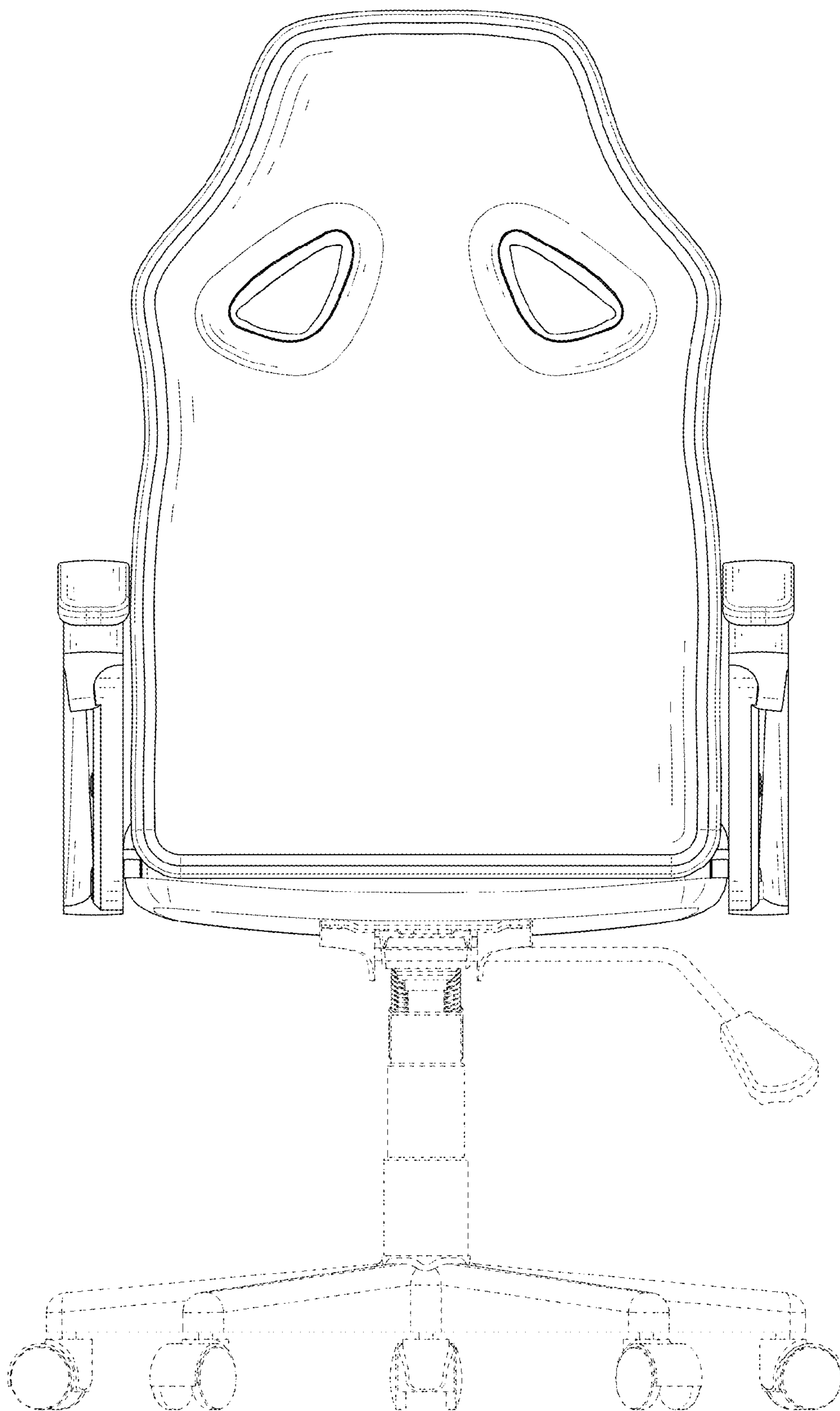


FIG. 4

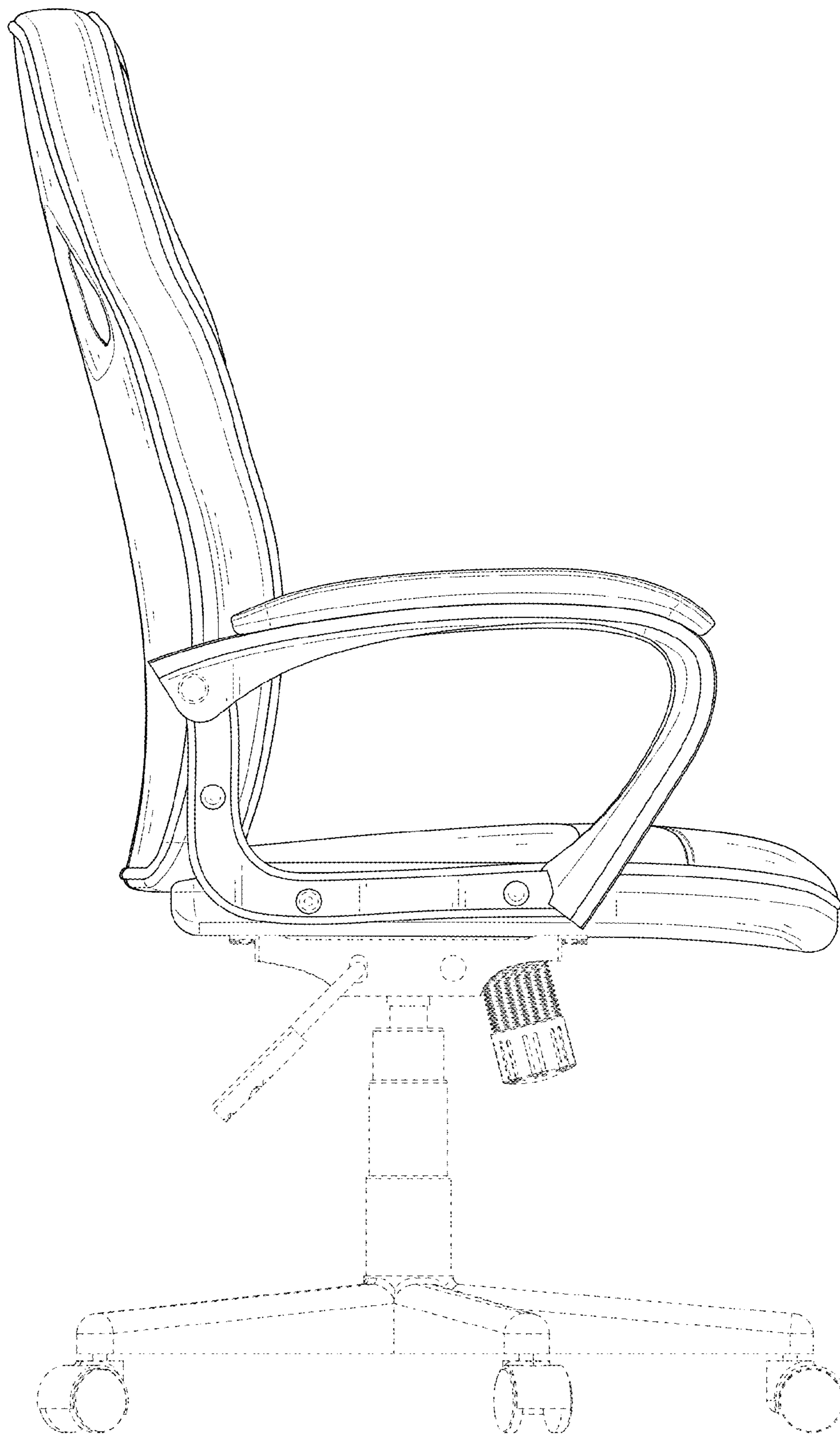


FIG. 5



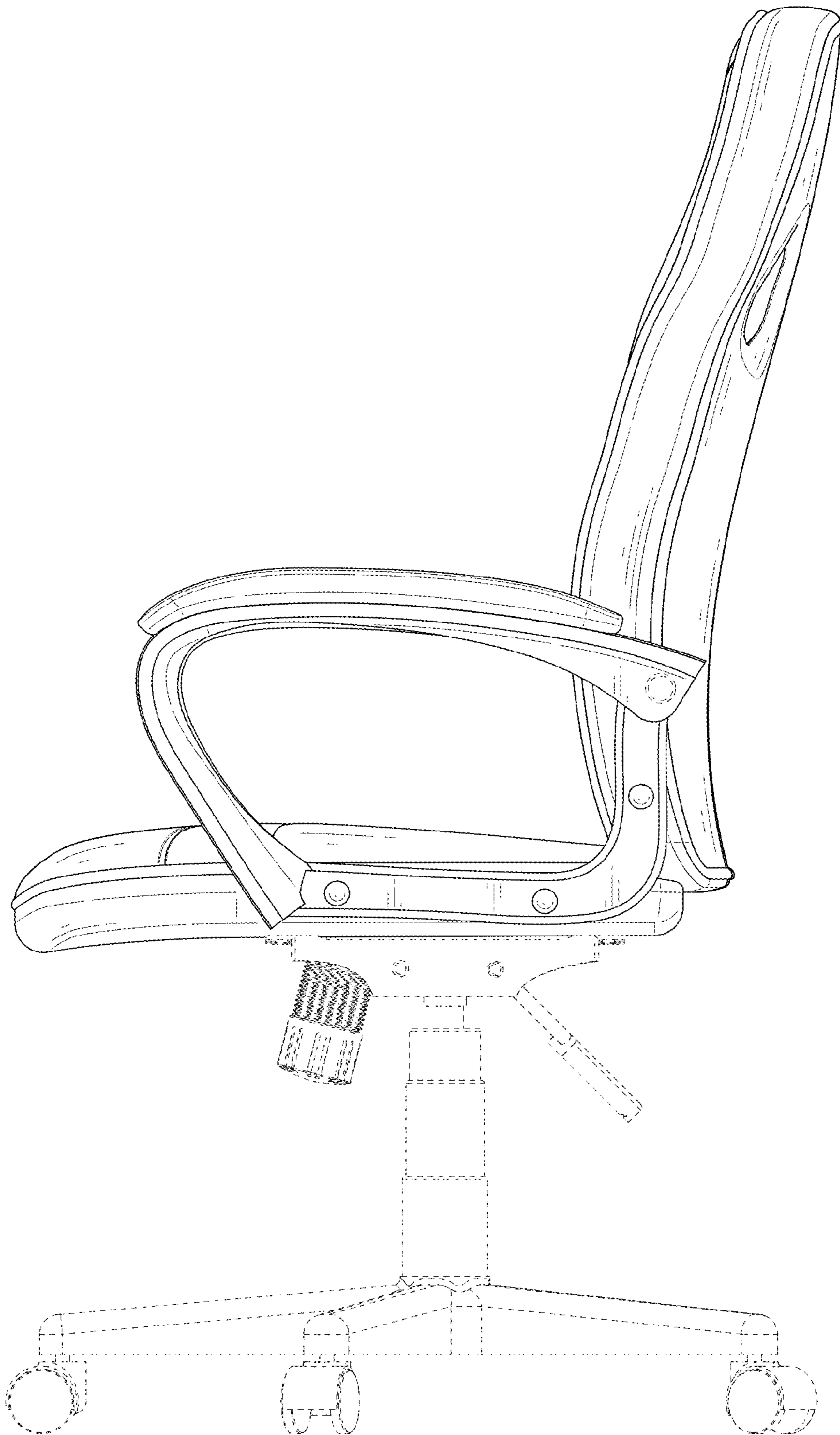


FIG. 6

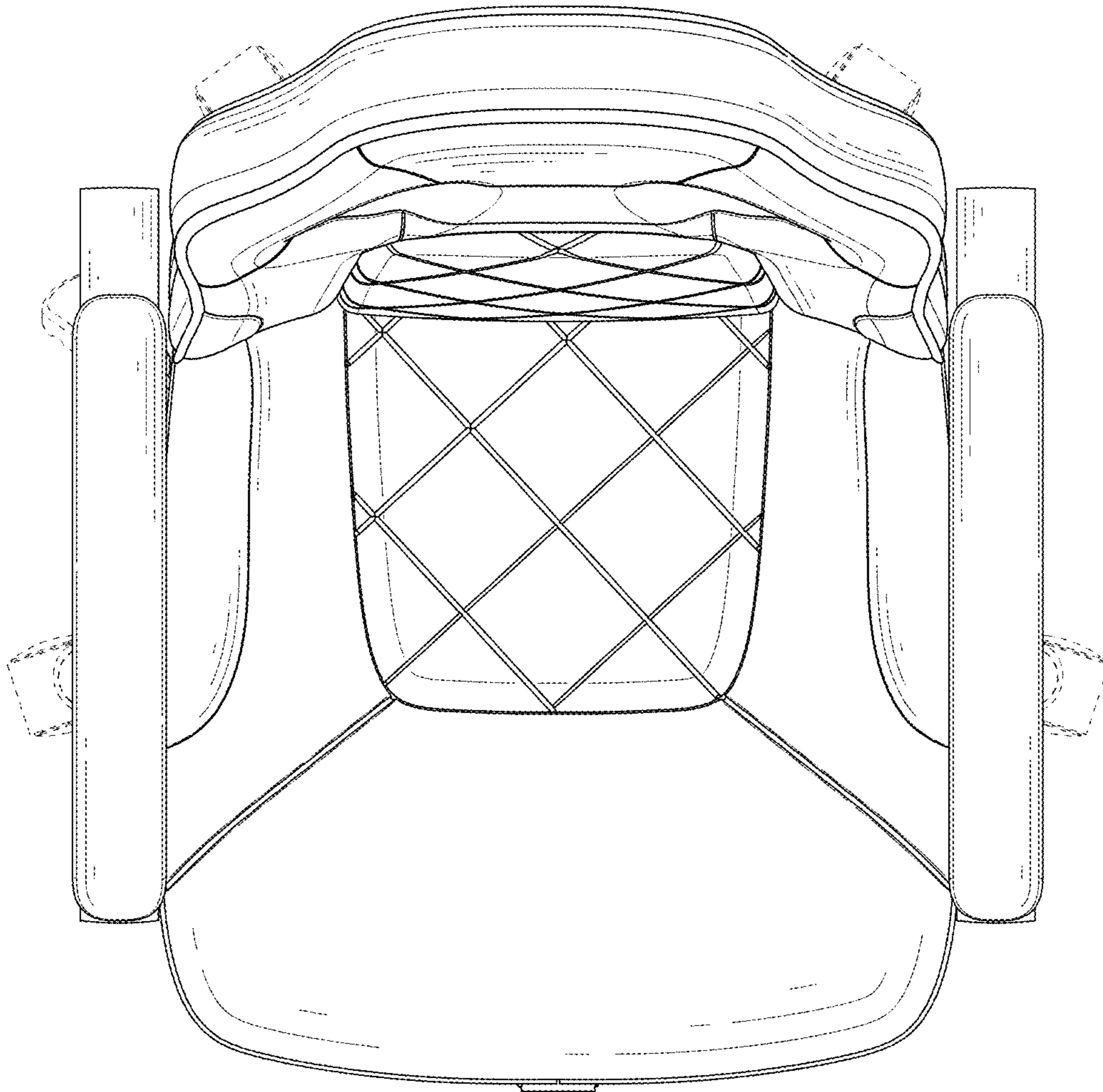


FIG. 7



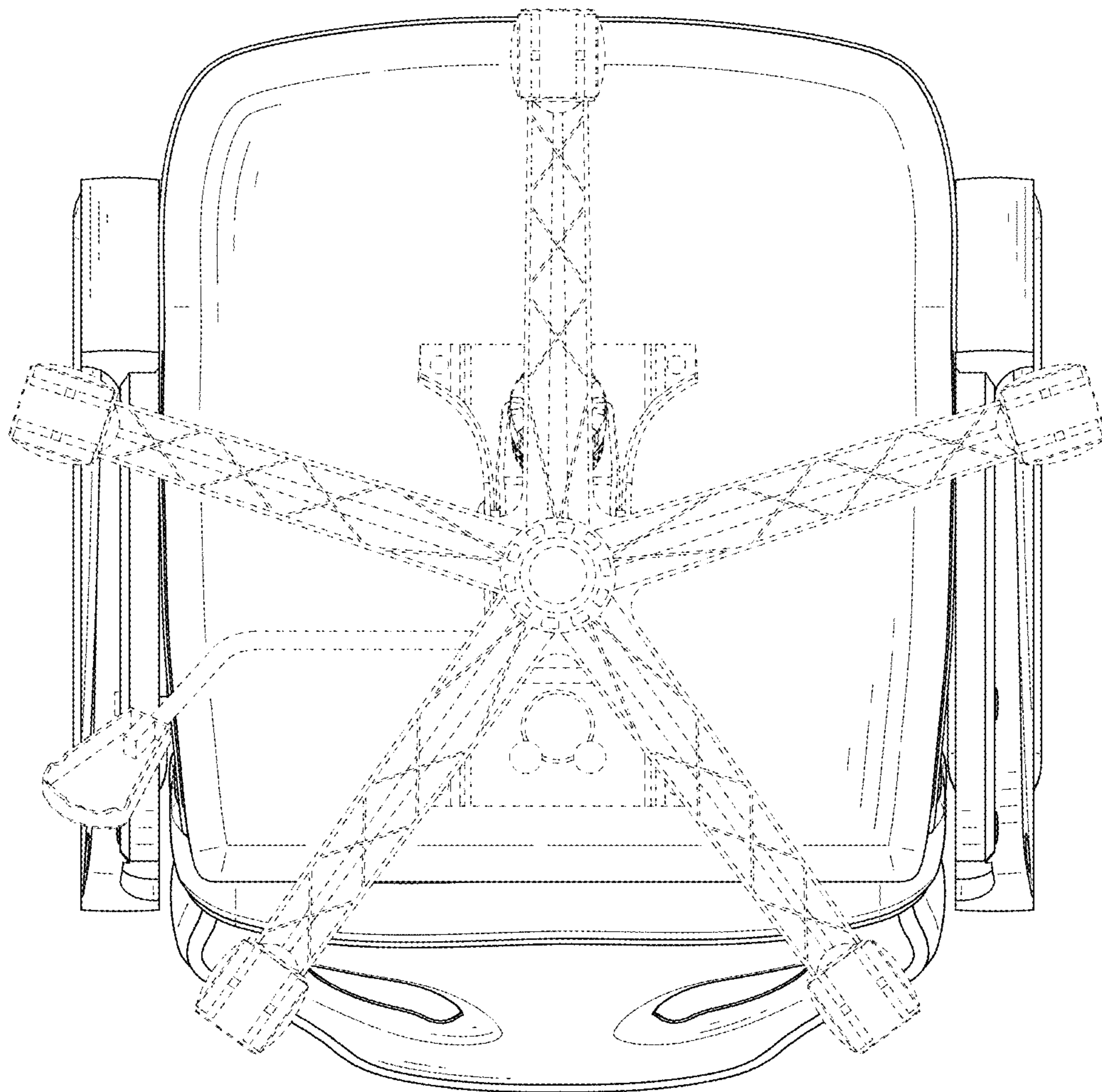


FIG. 8

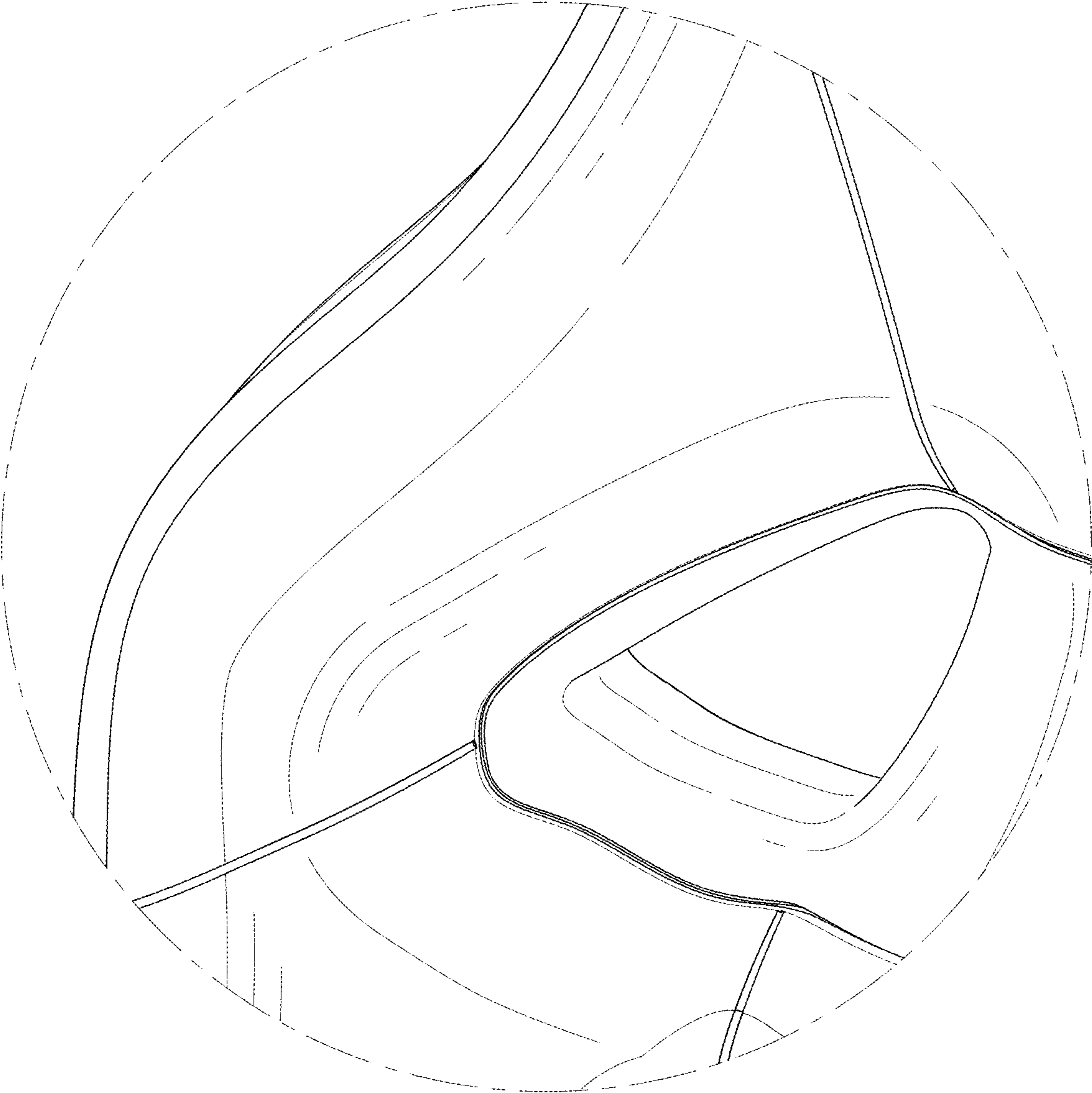


FIG. 9