



US00D934605S

(12) **United States Design Patent**
Petrucelli

(10) **Patent No.:** **US D934,605 S**

(45) **Date of Patent:** **** Nov. 2, 2021**

(54) **ROLLING STOOL WITH ROUND BACK SUPPORT**

(71) Applicant: **P.S. Pibbs, Inc.**, Flushing, NY (US)

(72) Inventor: **Giulio Petrucelli**, Flushing, NY (US)

(73) Assignee: **P.S. Pibbs, Inc.**, Flushing, NY (US)

(**) Term: **15 Years**

(21) Appl. No.: **29/725,838**

(22) Filed: **Feb. 27, 2020**

(51) **LOC (13) Cl.** **06-01**

(52) **U.S. Cl.**
USPC **D6/716**

(58) **Field of Classification Search**
USPC D6/334, 349, 360, 361, 364, 365, 366,
D6/367, 375, 378, 379, 380, 716
CPC .. A47C 3/00; A47C 3/18; A47C 3/185; A47C
3/20; A47C 1/00; A47C 1/02; A47C
1/022; A47C 1/037; A47C 7/24; A47C
7/36; A47C 7/46; A47C 7/18; A47C 7/50;
A47C 13/005; A47C 15/002; A47C
17/02; A47C 9/007

See application file for complete search history.

(56) **References Cited**

U.S. PATENT DOCUMENTS

D313,896 S *	1/1991	Kaye	D6/360
D485,455 S *	1/2004	Petrucelli	D6/364
D487,982 S *	4/2004	Lee	A47C 9/007
				D6/360
D549,973 S *	9/2007	Petrucelli	D6/364
D574,643 S *	8/2008	Petrucelli	D6/364
D586,592 S *	2/2009	Petrucelli	D6/716
D661,134 S *	6/2012	Petrucelli	D6/716
D664,382 S *	7/2012	Petrucelli	D6/716

D664,793 S *	8/2012	Petrucelli	D6/716
D670,514 S *	11/2012	Petrucelli	D6/716
D810,450 S *	2/2018	Zalaba	D6/334
D861,366 S *	10/2019	Jahns	D6/364
D871,792 S *	1/2020	Citterio	D6/380
D879,496 S *	3/2020	Velez	D6/380
D887,162 S *	6/2020	Velez	D6/380
D890,540 S *	7/2020	Smrstick	D6/373
D899,119 S *	10/2020	Velez	D6/360
2007/0001501 A1 *	1/2007	Rassouliau	A47C 7/543 297/411.2

FOREIGN PATENT DOCUMENTS

EP 1034725 A1 * 9/2000 A47C 9/007

* cited by examiner

Primary Examiner — R. Johnson

(74) *Attorney, Agent, or Firm* — Gerald E. Hespos;
Michael J. Porco; Matthew T. Hespos

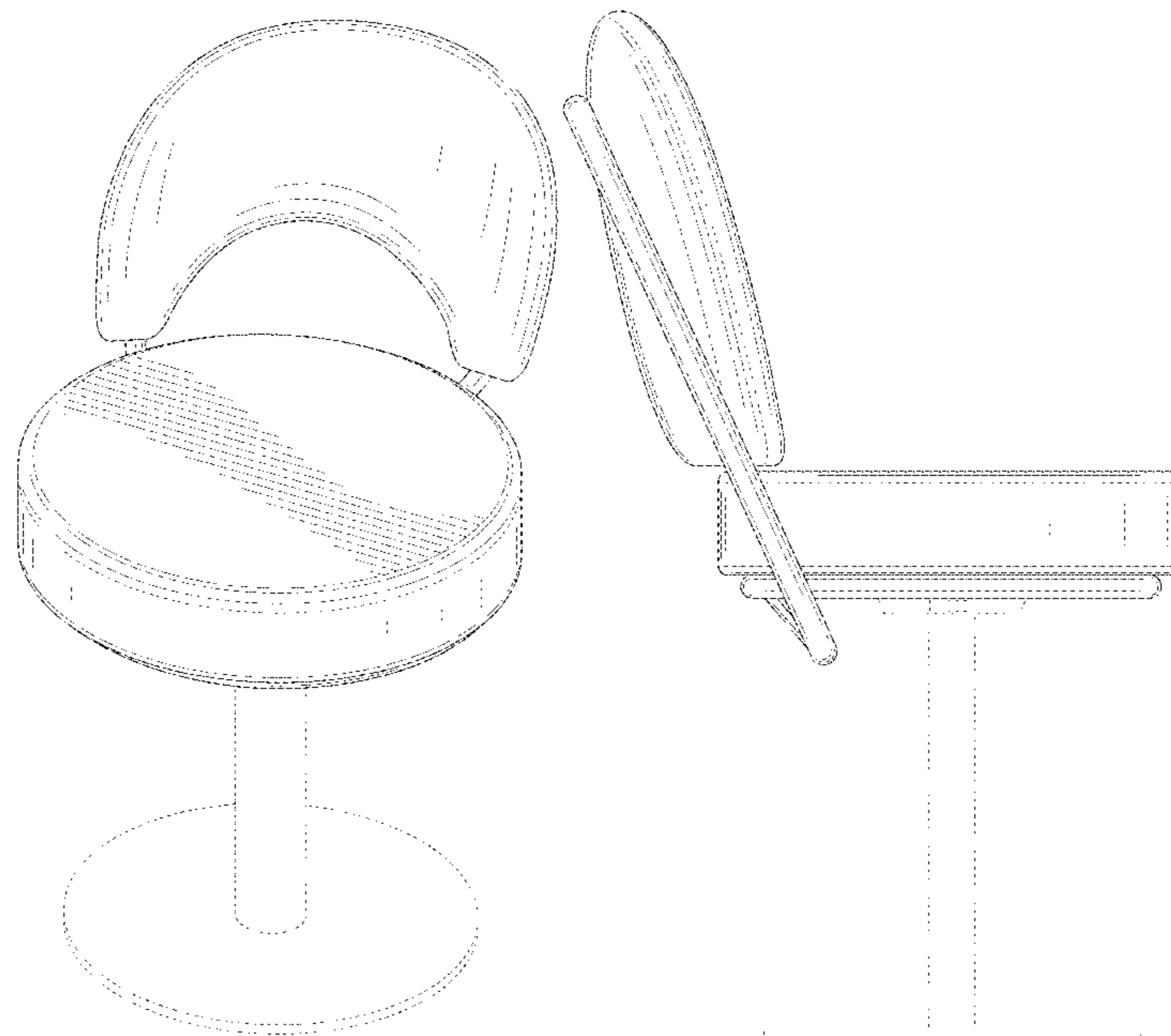
(57) **CLAIM**

The ornamental design for a rolling stool with round back support, as shown and described.

DESCRIPTION

FIG. 1 is a perspective view of a rolling stool with round back support in accordance with my design;
FIG. 2 is a front elevational view of the rolling stool with round back support of FIG. 1;
FIG. 3 is a rear elevational view thereof;
FIG. 4 is a left side elevational view thereof;
FIG. 5 is a right side elevational view thereof;
FIG. 6 is a top plan view thereof; and,
FIG. 7 is a bottom plan view thereof.
The broken lines represent portions of the structure that form no part of the claimed design.

1 Claim, 7 Drawing Sheets



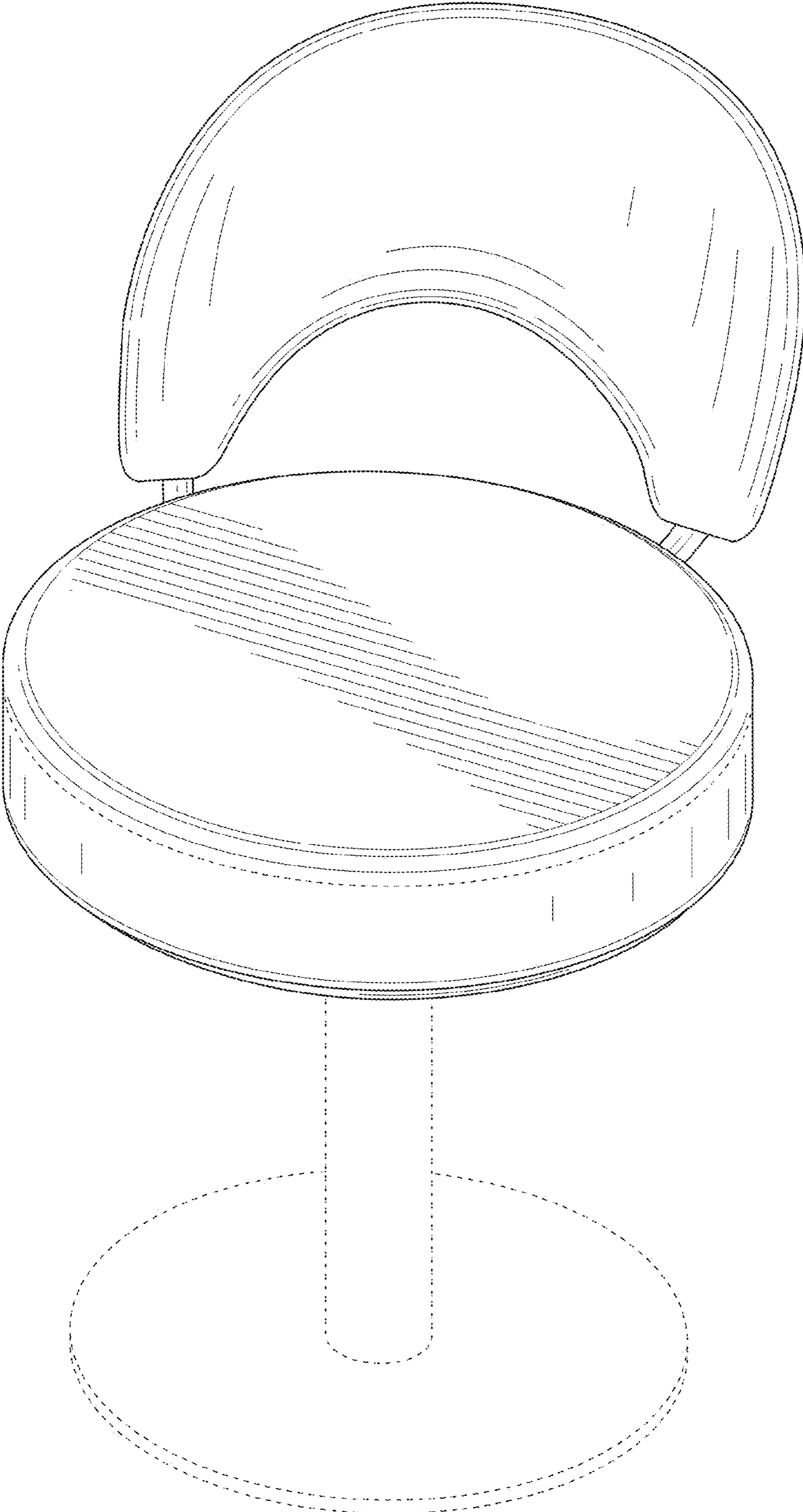


FIG. 1

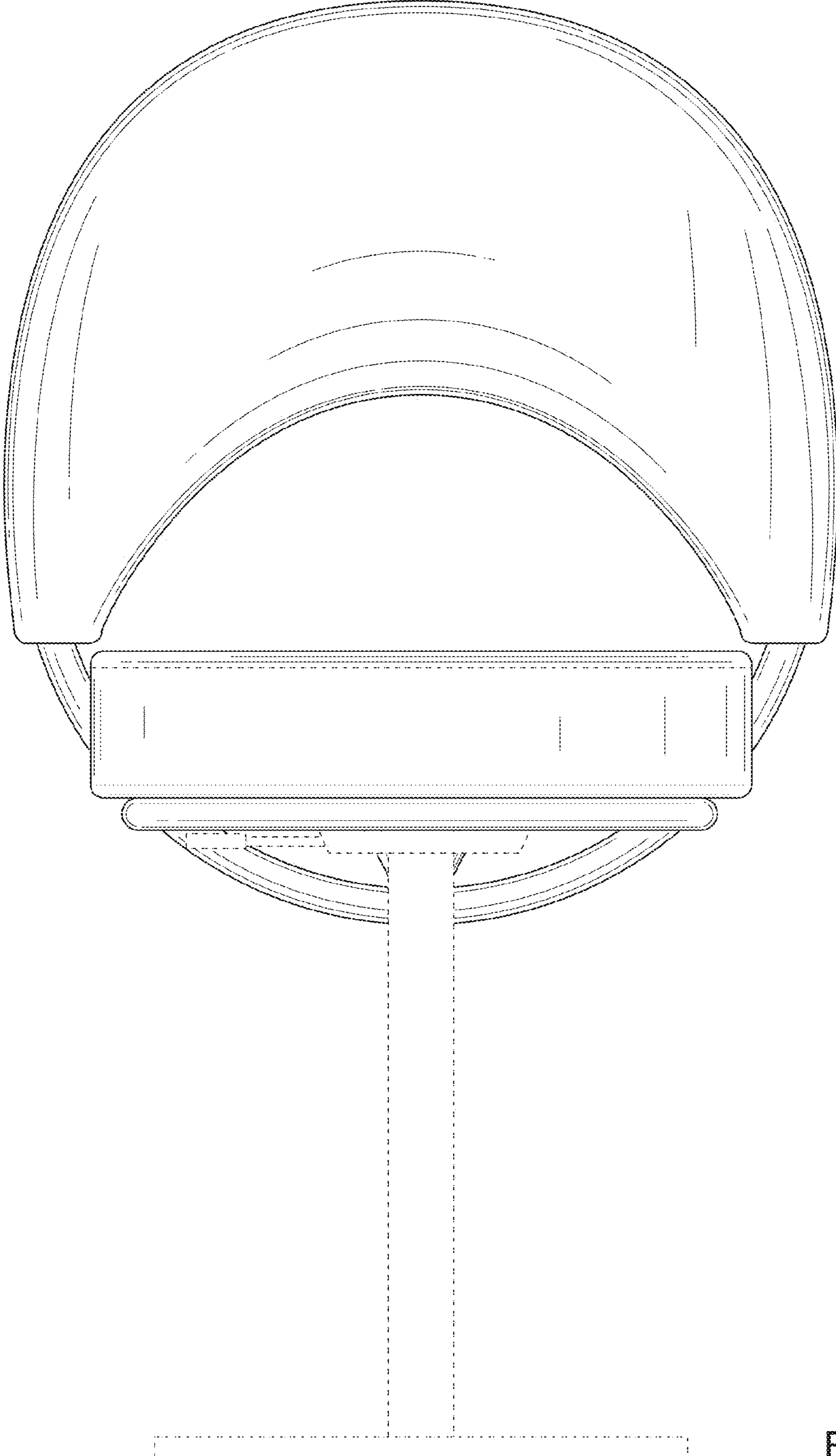


FIG. 2

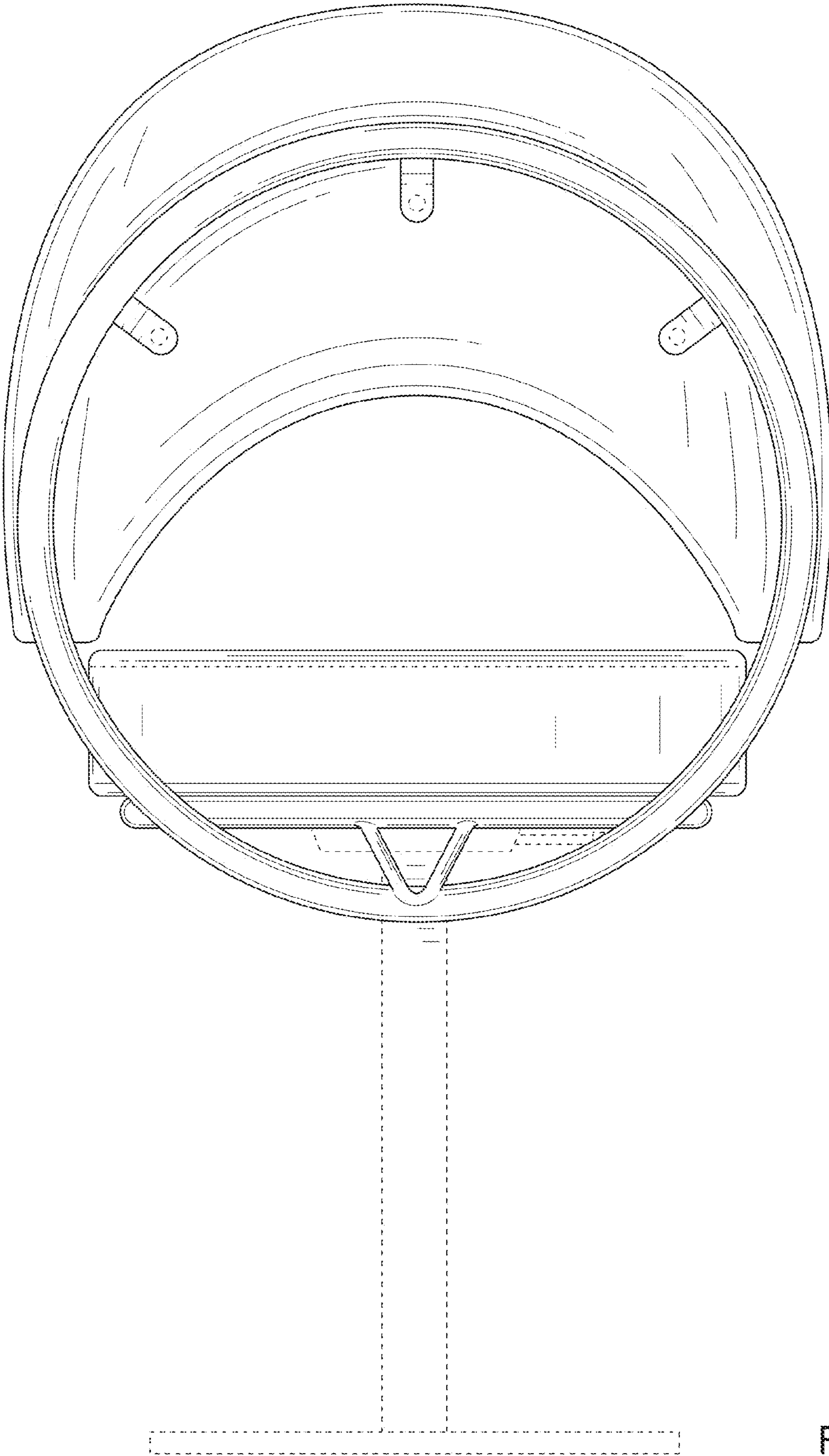


FIG. 3

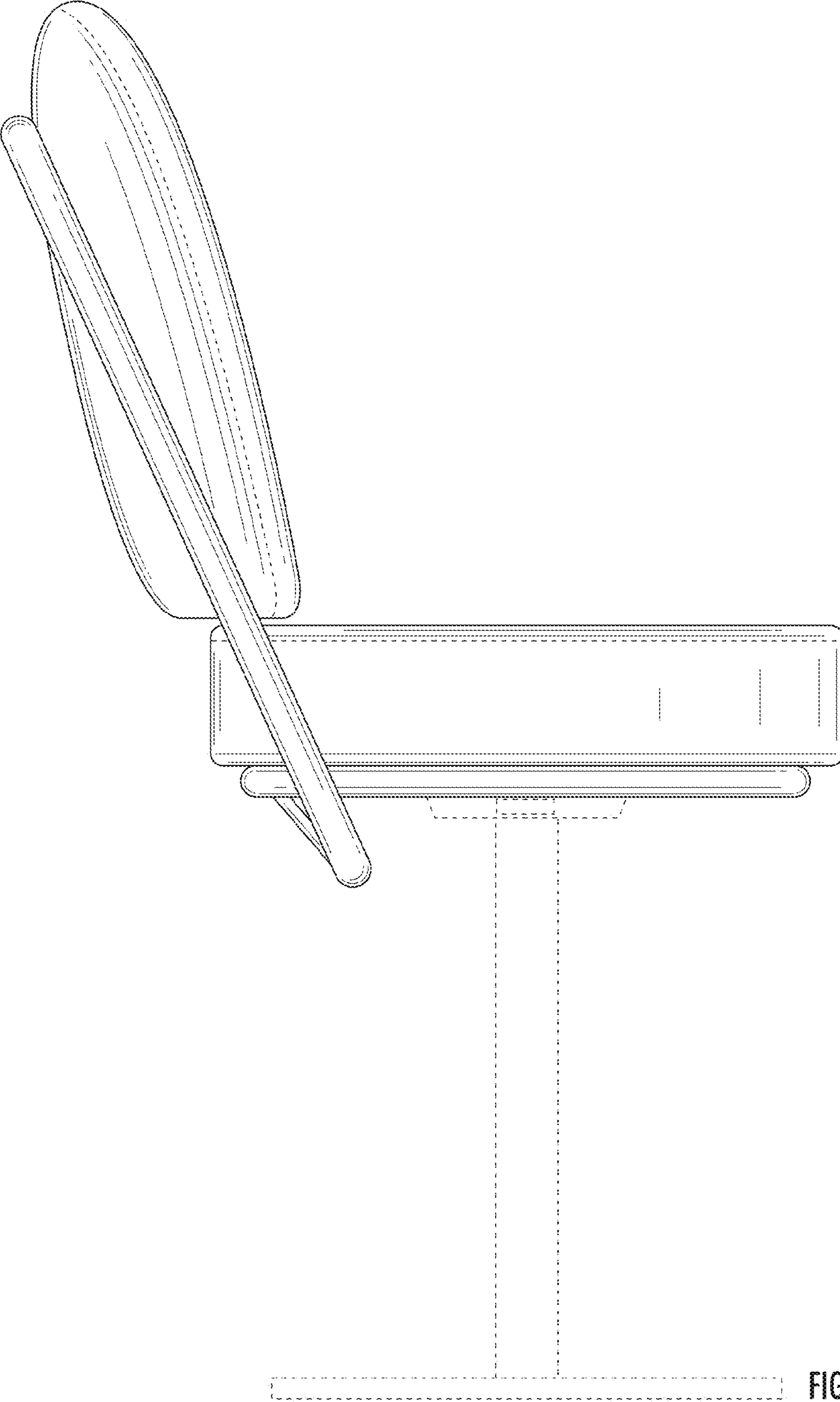


FIG. 4

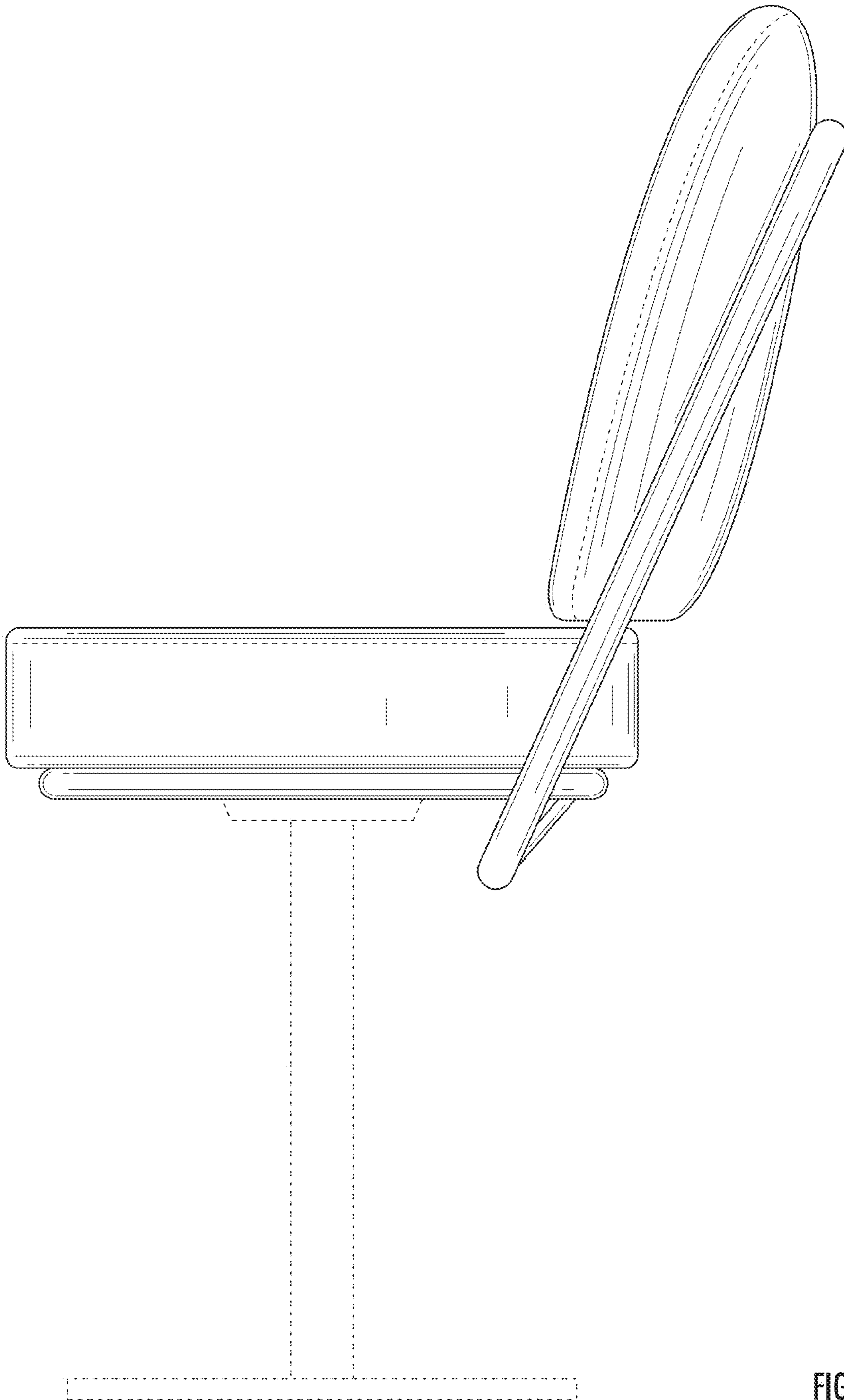


FIG. 5

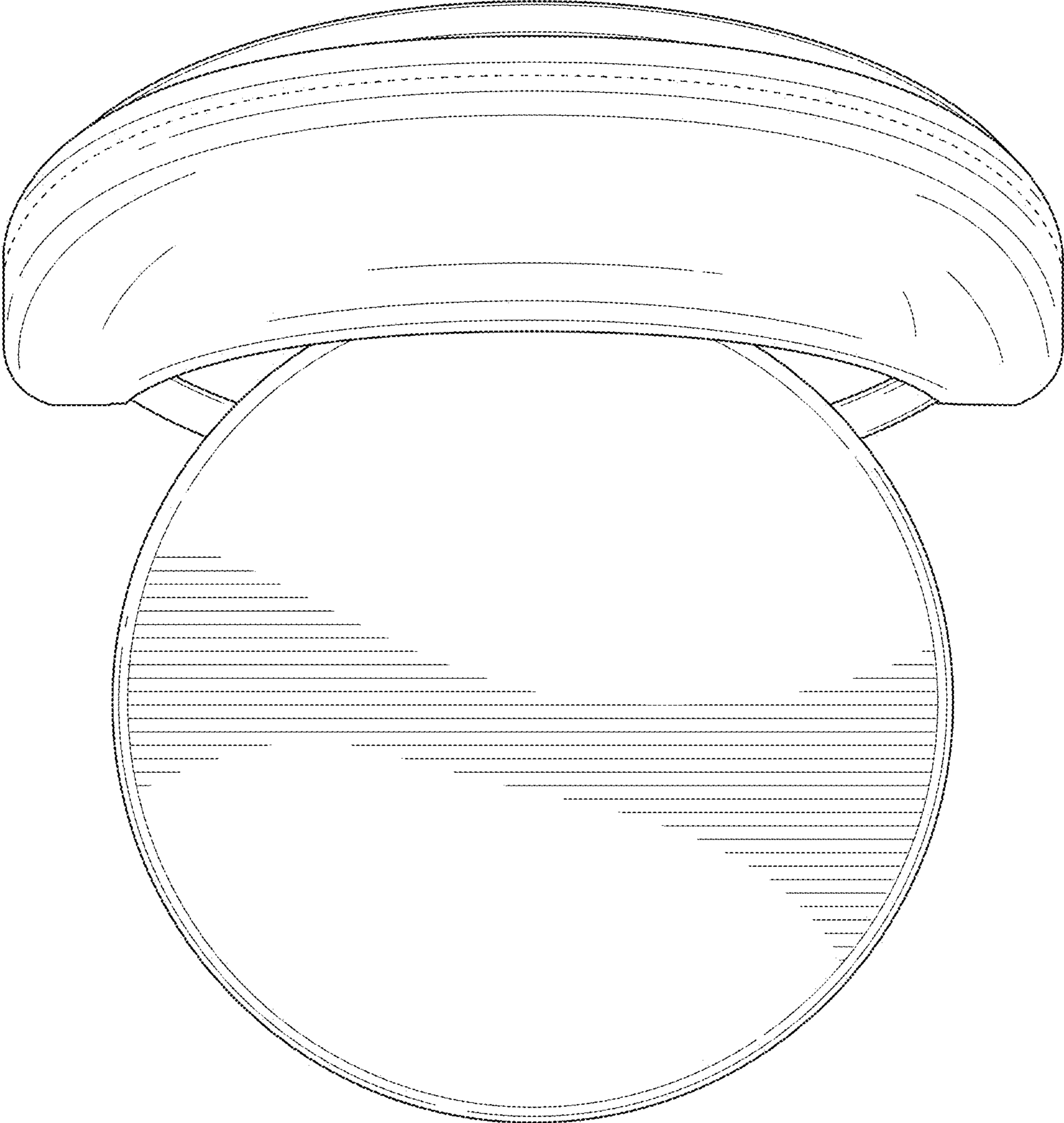


FIG. 6

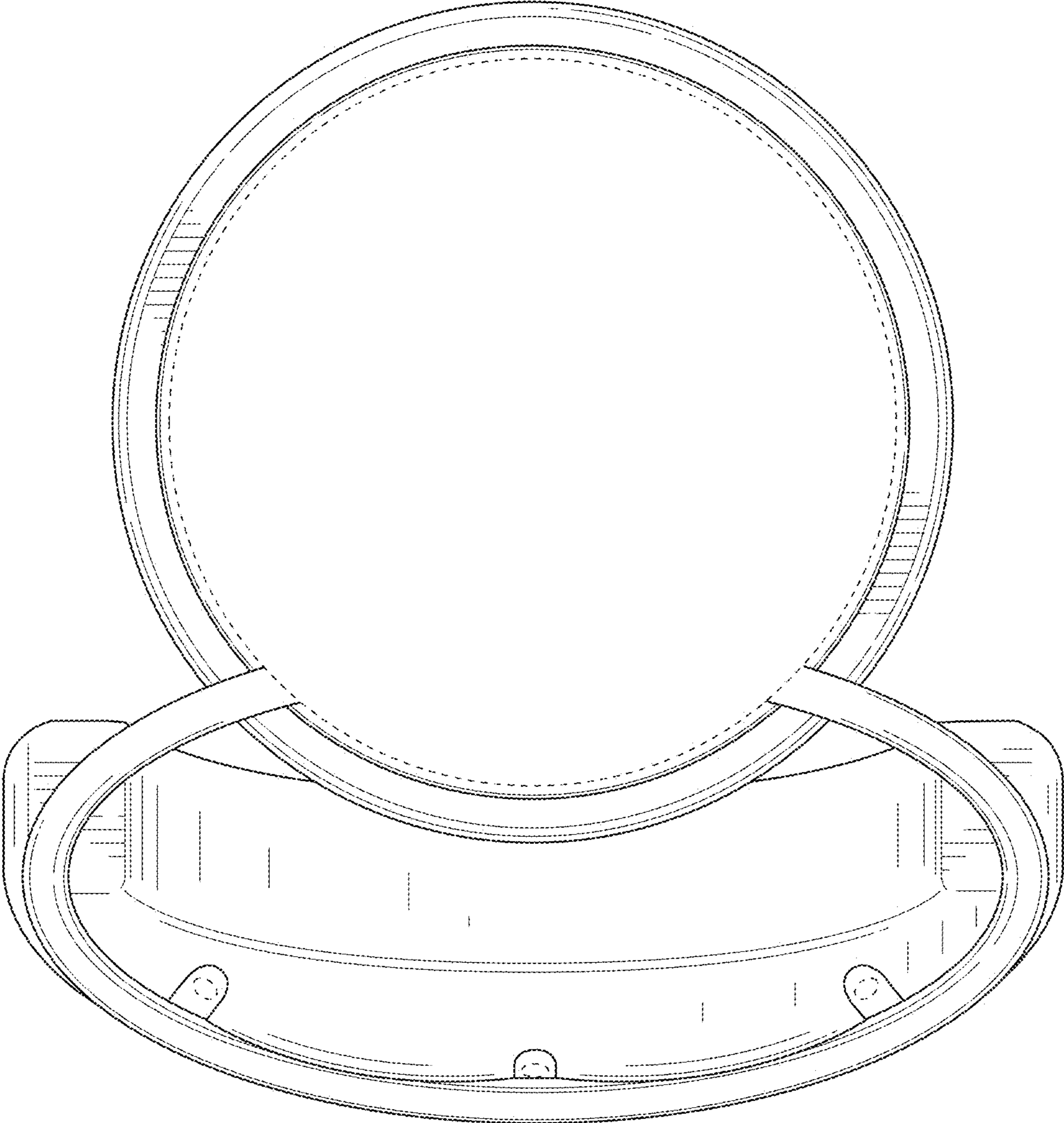


FIG. 7