



US00D934604S

(12) **United States Design Patent**
Wang

(10) **Patent No.:** **US D934,604 S**

(45) **Date of Patent:** **** Nov. 2, 2021**

(54) **TABLE**

(71) Applicant: **ZHONGSHAN LEADER
ELECTRICAL TECHNOLOGY CO.,
LTD, Zhongshan (CN)**

(72) Inventor: **Qin Wang, Zhongshan (CN)**

(73) Assignee: **ZHONGSHAN LEADER
ELECTRICAL TECHNOLOGY CO.,
LTD, Zhongshan (CN)**

(**) Term: **15 Years**

(21) Appl. No.: **29/762,514**

(22) Filed: **Dec. 17, 2020**

(51) **LOC (13) Cl.** **06-06**

(52) **U.S. Cl.**
USPC **D6/707.2; D6/707.19**

(58) **Field of Classification Search**
USPC ... D6/349, 685, 686, 691, 691.1-691.9, 692,
D6/692.1-692.6, 702, 707, 707.1, 707.19,
D6/707.2, 707.24, 707.25, 719
CPC A47B 7/00; A47B 13/00; A47B 13/003;
A47B 13/02; A47B 13/04; A47B 13/06;
A47B 13/08; A47B 13/083; A47B 13/12;
A47B 2200/0001; A47B 2200/0011;
A47B 2200/002

See application file for complete search history.

(56) **References Cited**

U.S. PATENT DOCUMENTS

D51,594 S * 12/1917 Holman D6/707.19
D82,021 S * 9/1930 Ekvall D6/708.23
D130,483 S * 11/1941 Lindberg D6/707.2
D413,462 S * 9/1999 Paus A47B 9/10
D6/719
D448,217 S * 9/2001 Ullman D6/675
D579,059 S * 10/2008 Chan D21/335

D609,512 S * 2/2010 Lowsky D6/707.2
D658,408 S * 5/2012 Spurgeon D6/719
D822,417 S * 7/2018 Muller
D837,581 S * 1/2019 Velez
D872,487 S * 1/2020 Choi D6/309
D924,574 S * 7/2021 Wang D6/306
2005/0199161 A1 * 9/2005 De Keyzer A47B 9/10
108/115

* cited by examiner

Primary Examiner — Mary Ann Calabrese

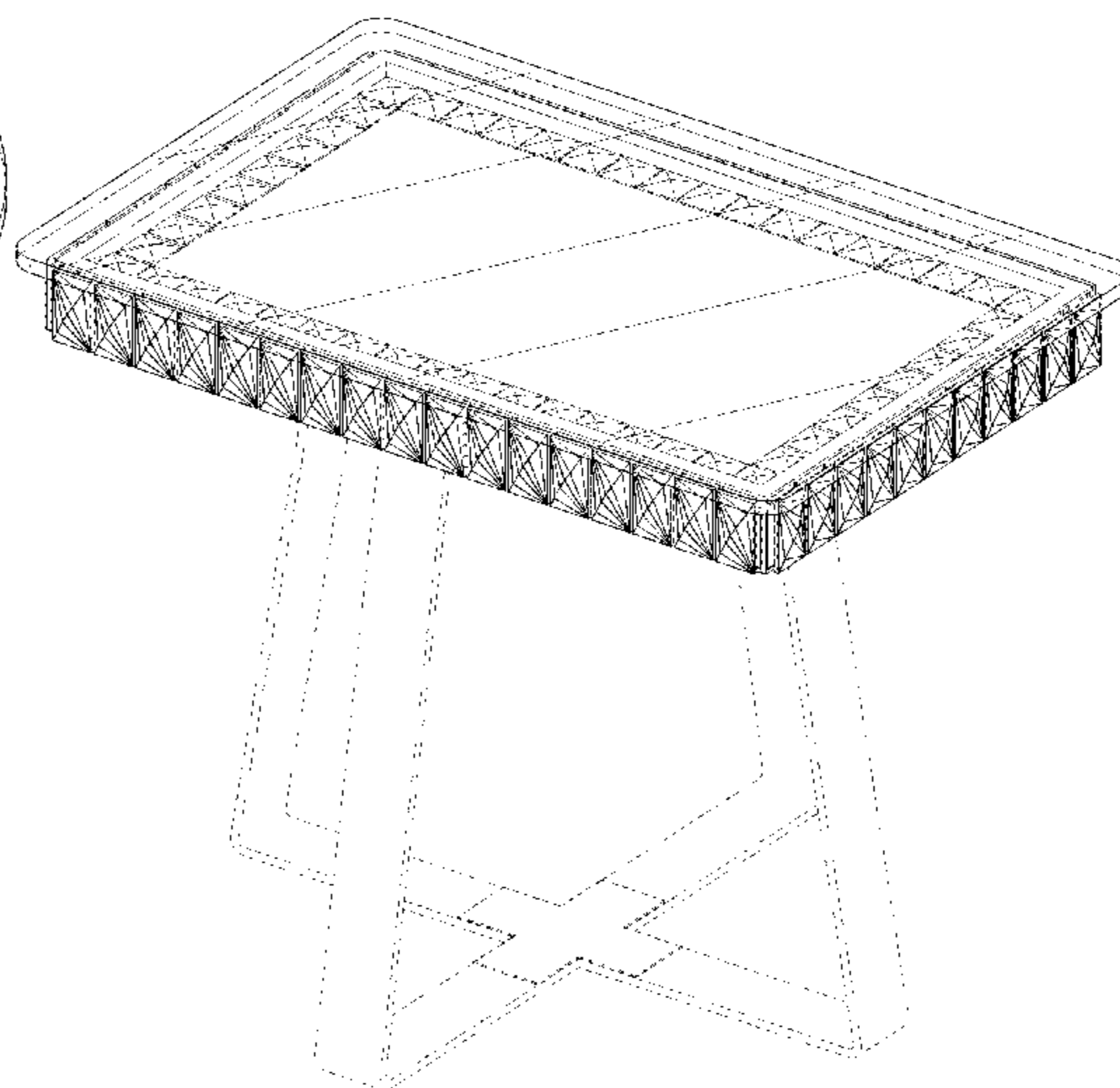
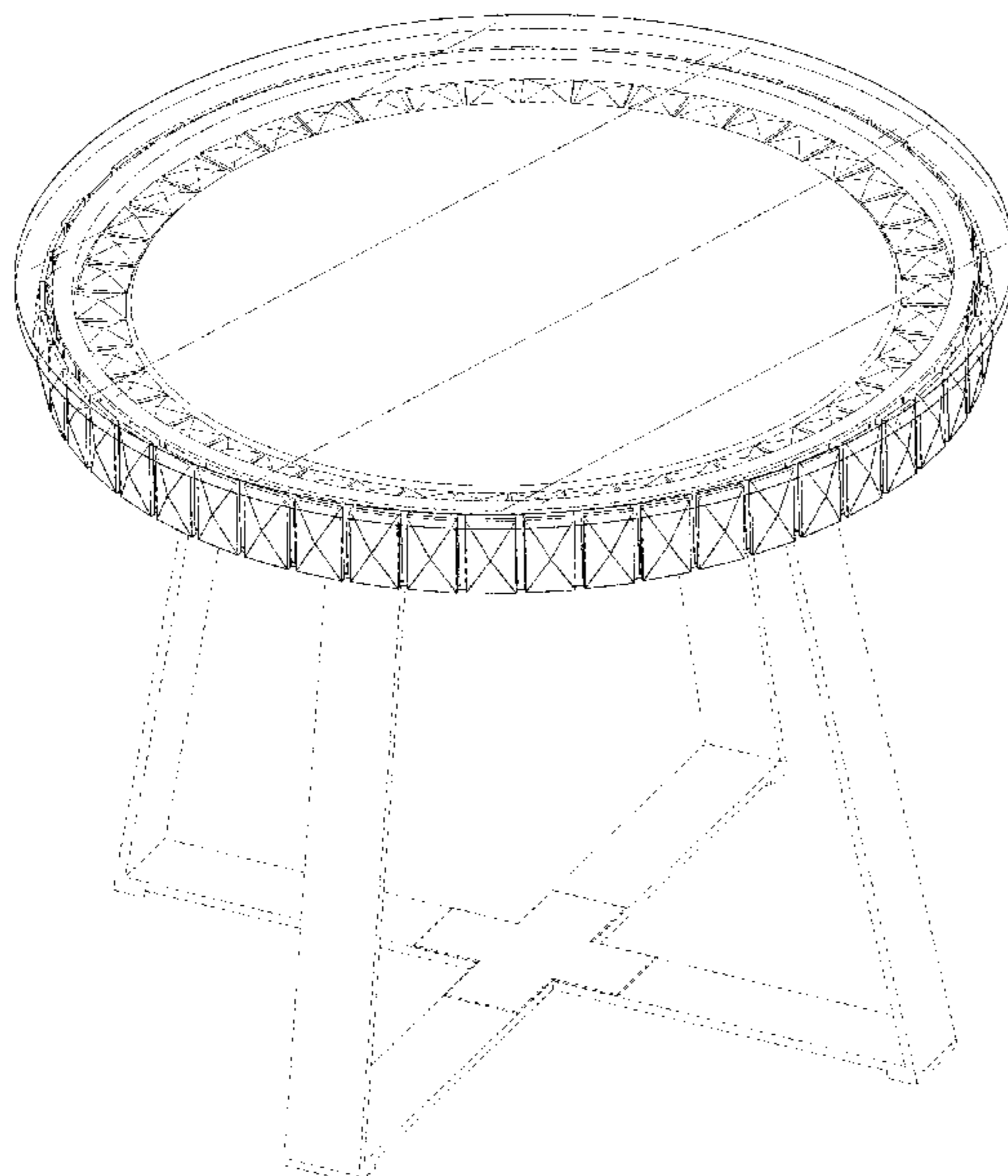
(57) **CLAIM**

The ornamental design for a table, as shown and described.

DESCRIPTION

FIG. 1 is a top perspective view of a first embodiment of a table showing my new design;
FIG. 2 is a bottom perspective view thereof;
FIG. 3 is a front elevational view thereof;
FIG. 4 is a rear elevational view thereof;
FIG. 5 is a left side elevational view thereof;
FIG. 6 is a right side elevational view thereof;
FIG. 7 is a top plan view thereof;
FIG. 8 is a bottom plan view thereof;
FIG. 9 is an enlarged view of portion 9 shown in FIG. 2;
FIG. 10 is a top perspective view of a second embodiment of the table showing my new design;
FIG. 11 is a bottom perspective view thereof;
FIG. 12 is a front elevational view thereof;
FIG. 13 is a rear elevational view thereof;
FIG. 14 is a left side elevational view thereof;
FIG. 15 is a right side elevational view thereof;
FIG. 16 is a top plan view thereof;
FIG. 17 is a bottom plan view thereof; and,
FIG. 18 is an enlarged view of portion 18 shown in FIG. 11.
The broken lines in the drawings depict portions of the table that form no part of the claimed design.

1 Claim, 18 Drawing Sheets



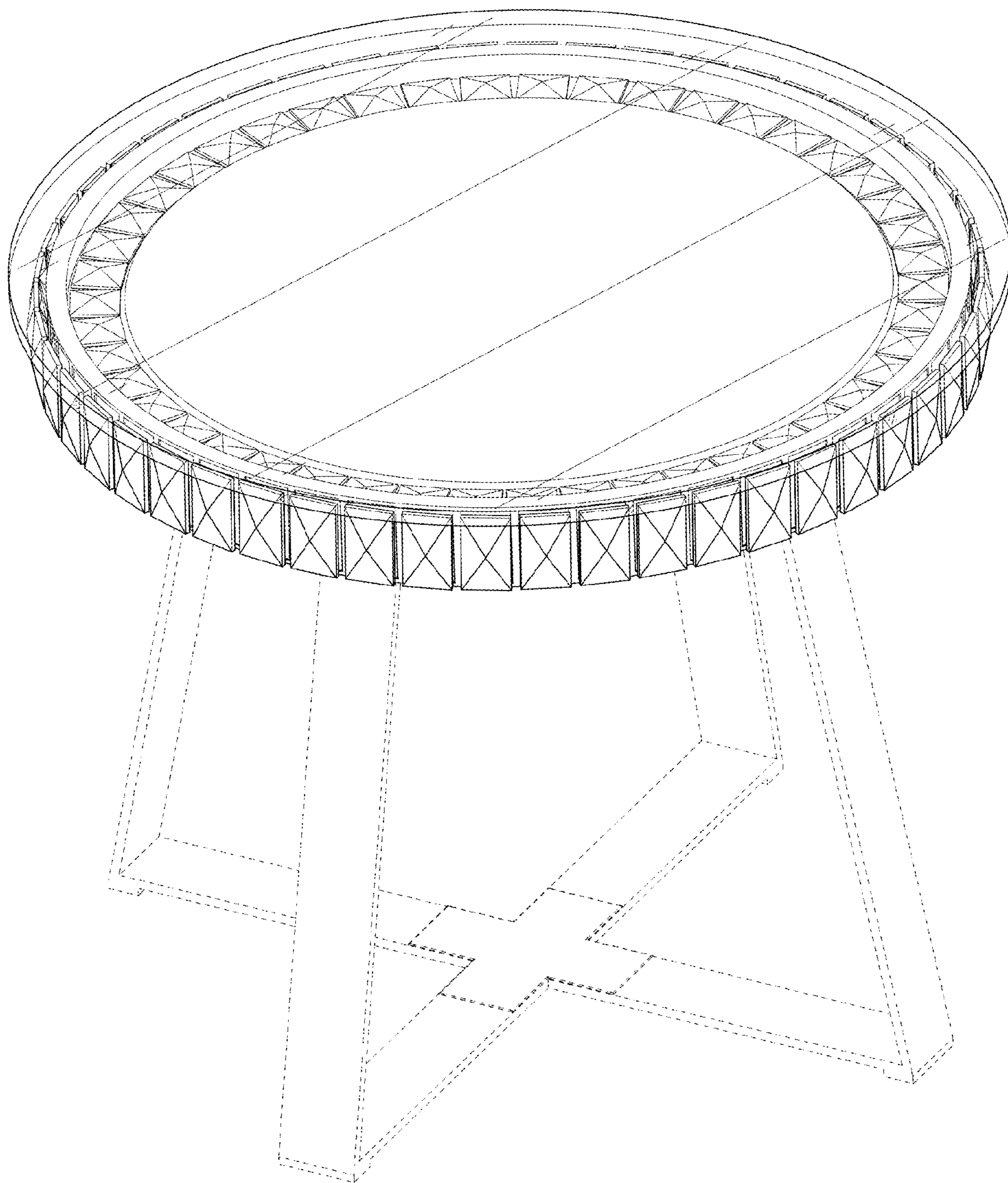


FIG. 1

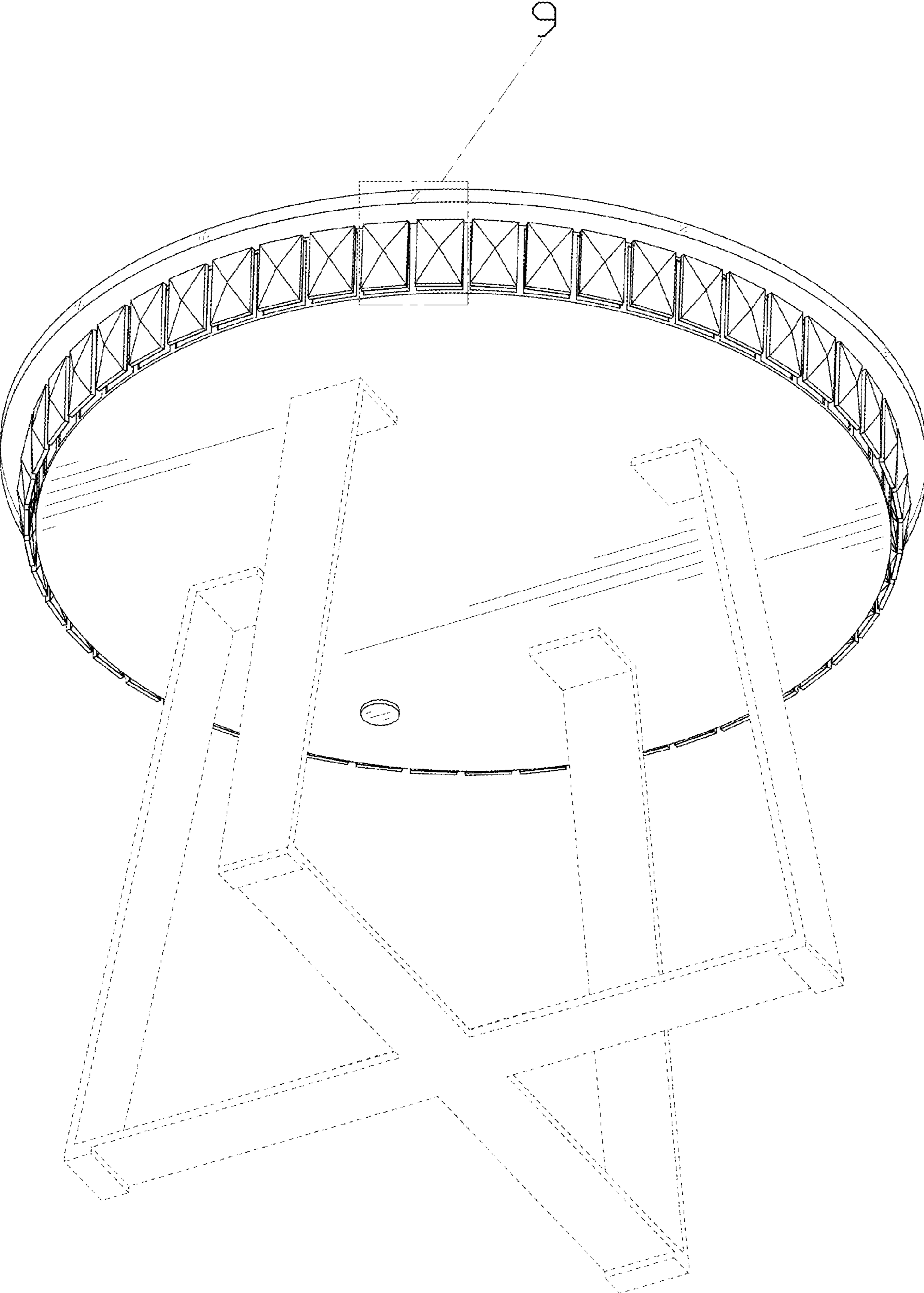


FIG. 2

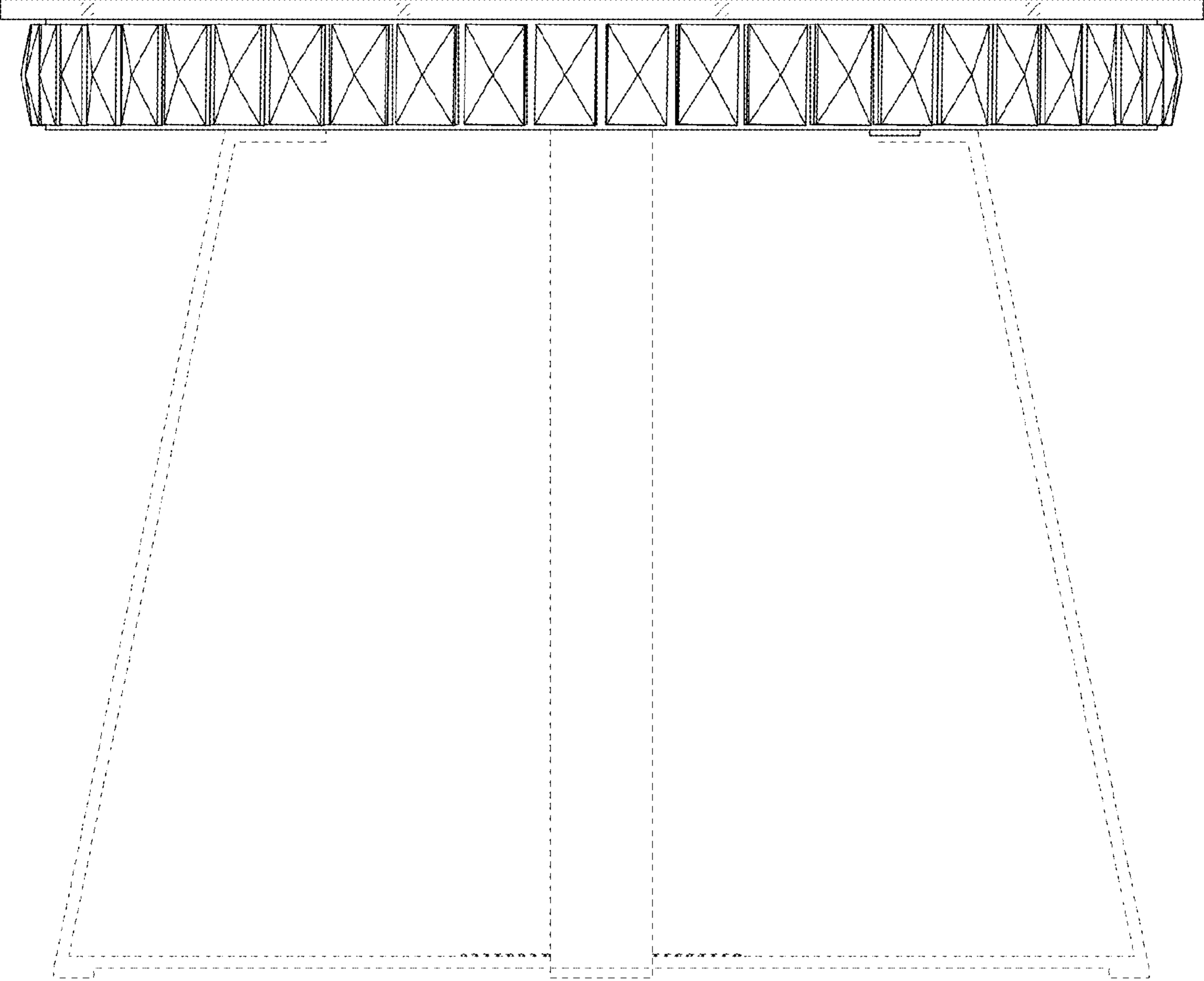


FIG. 3

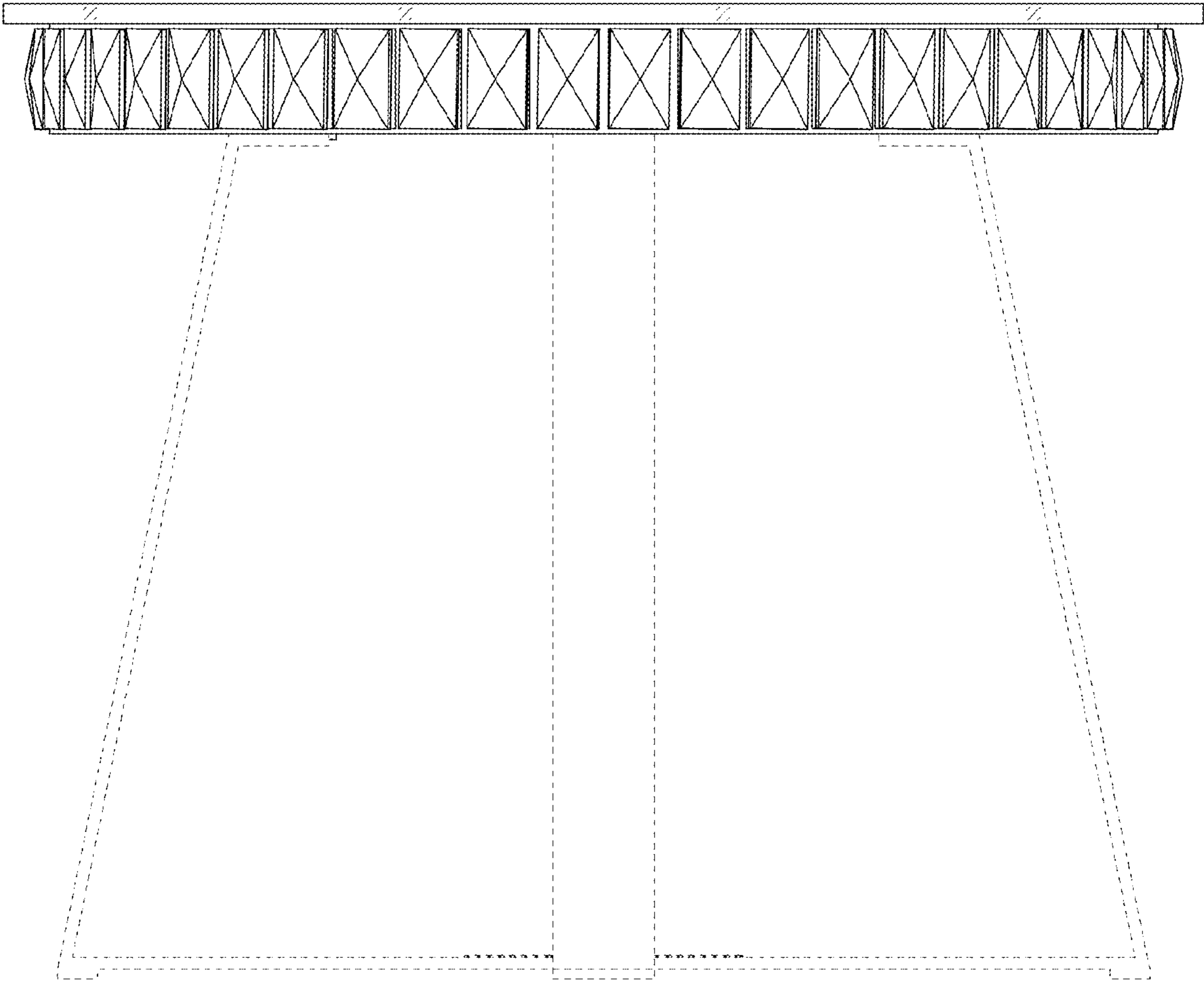


FIG. 4

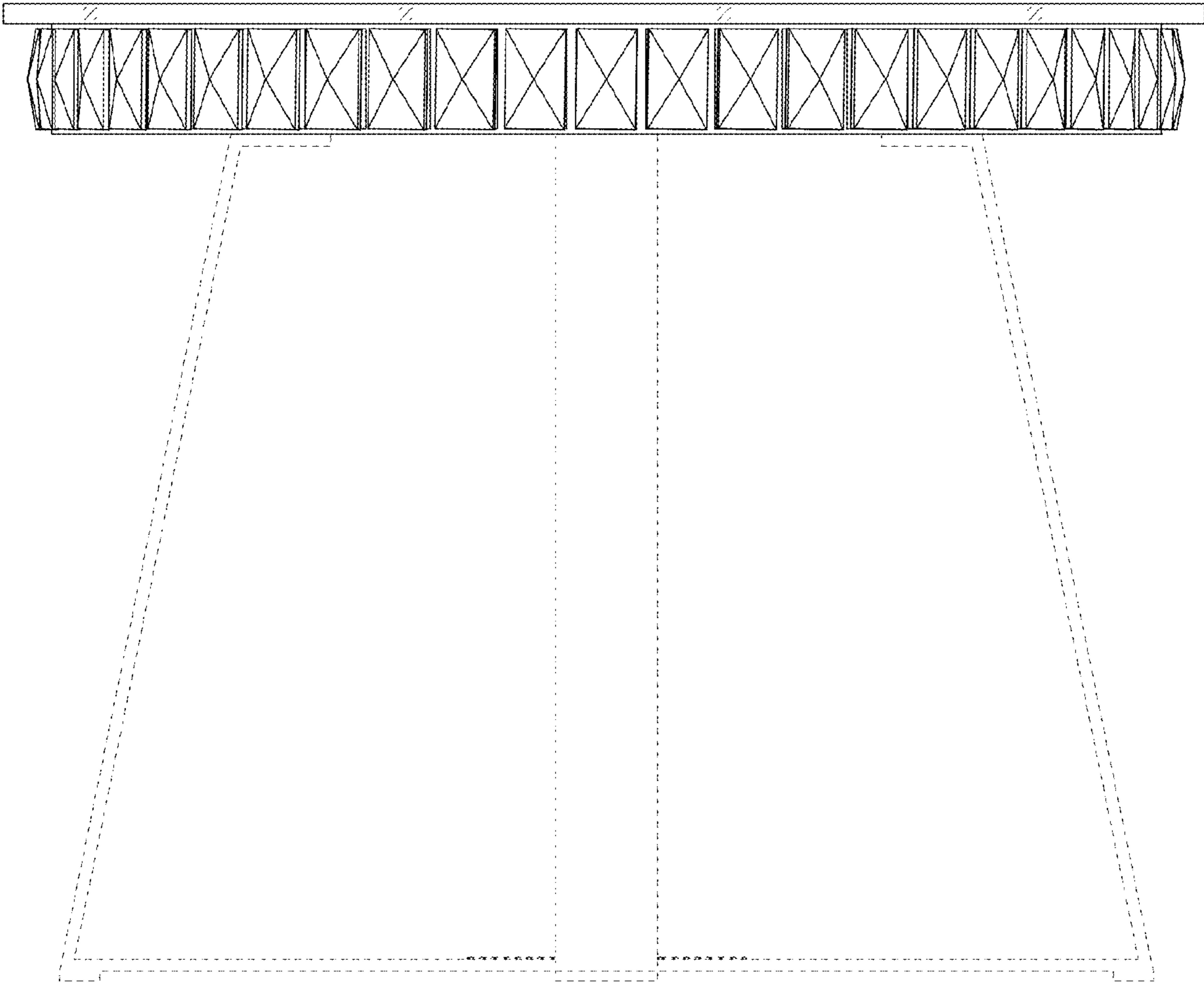


FIG. 5

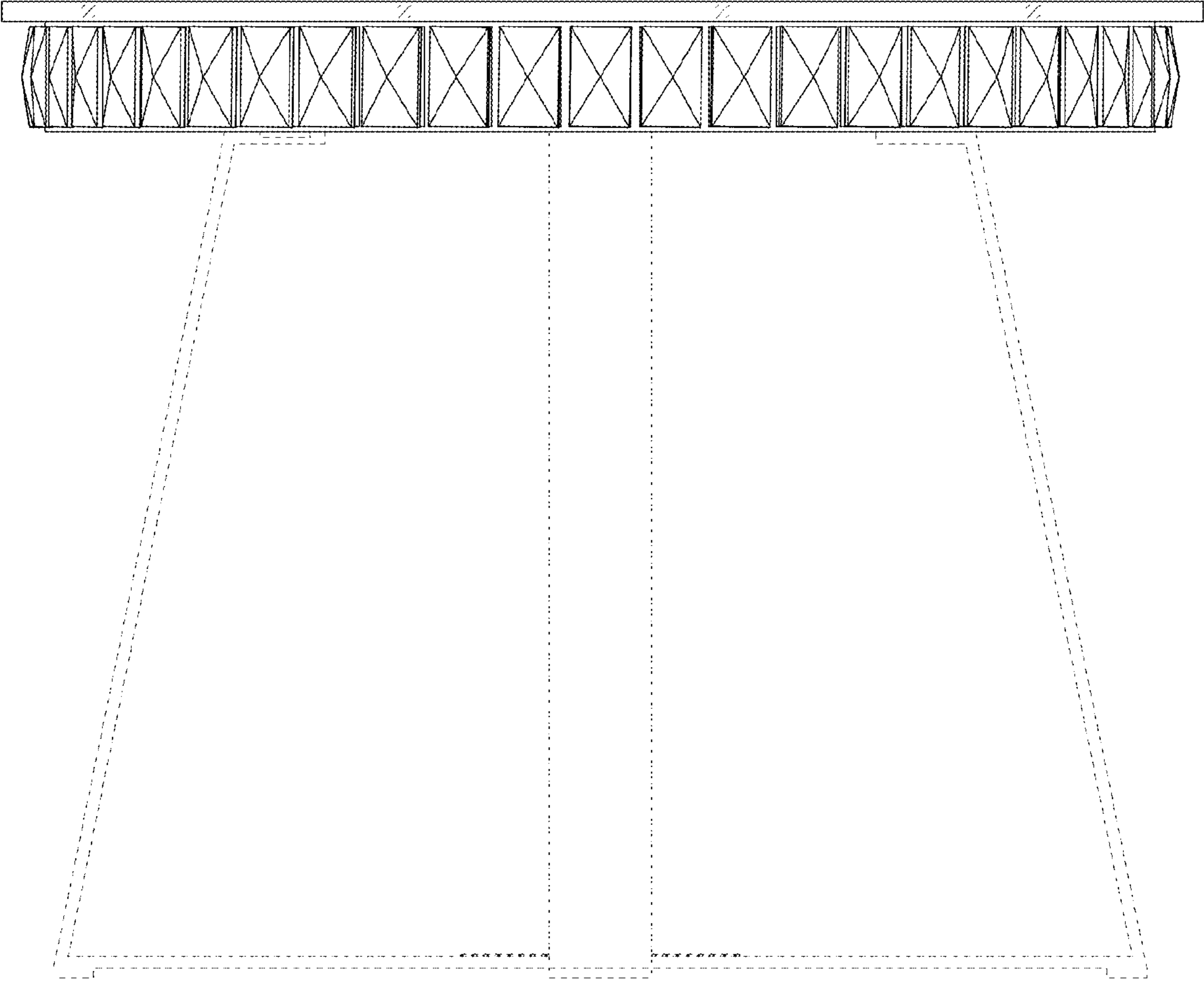


FIG. 6

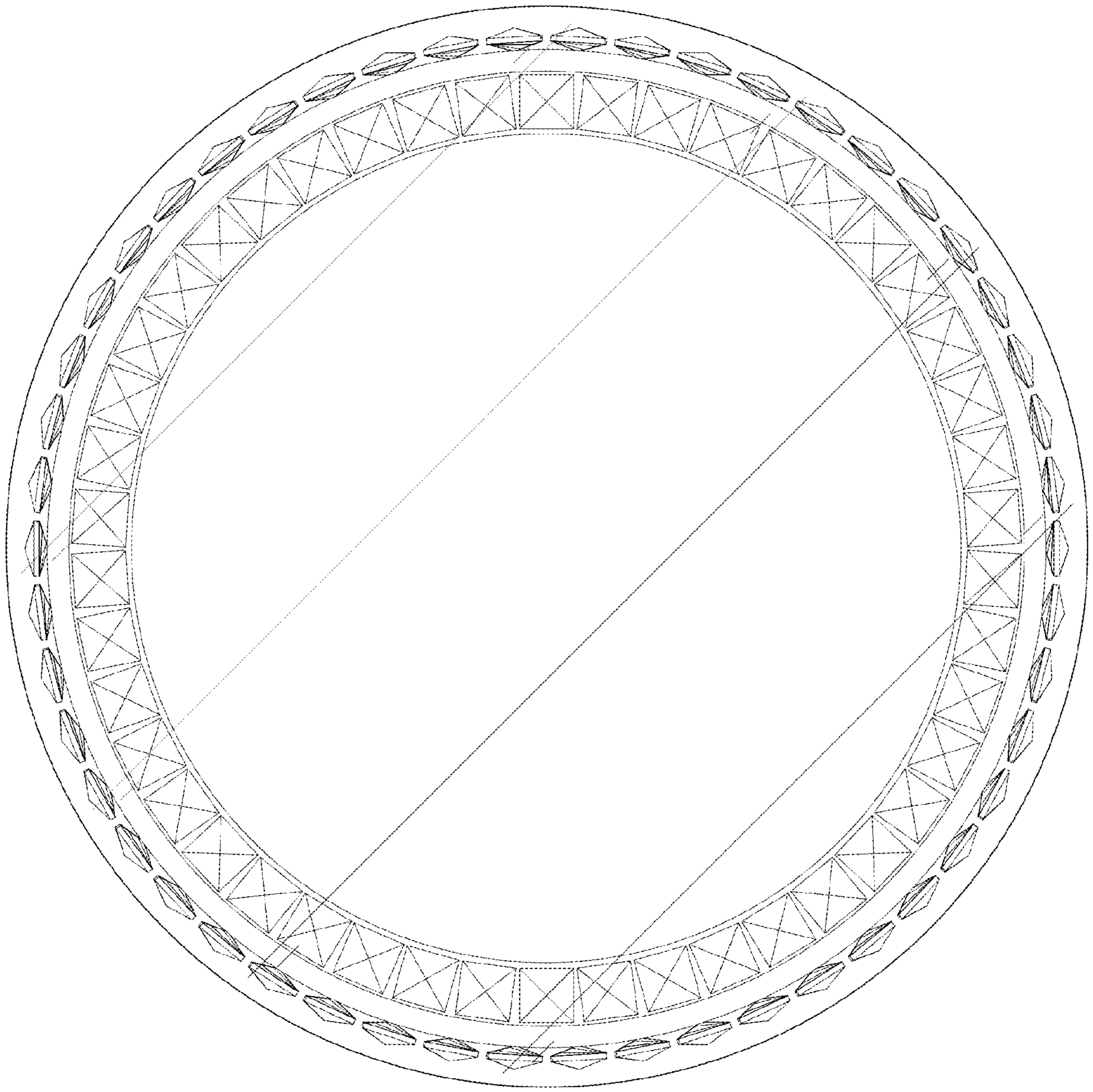


FIG. 7

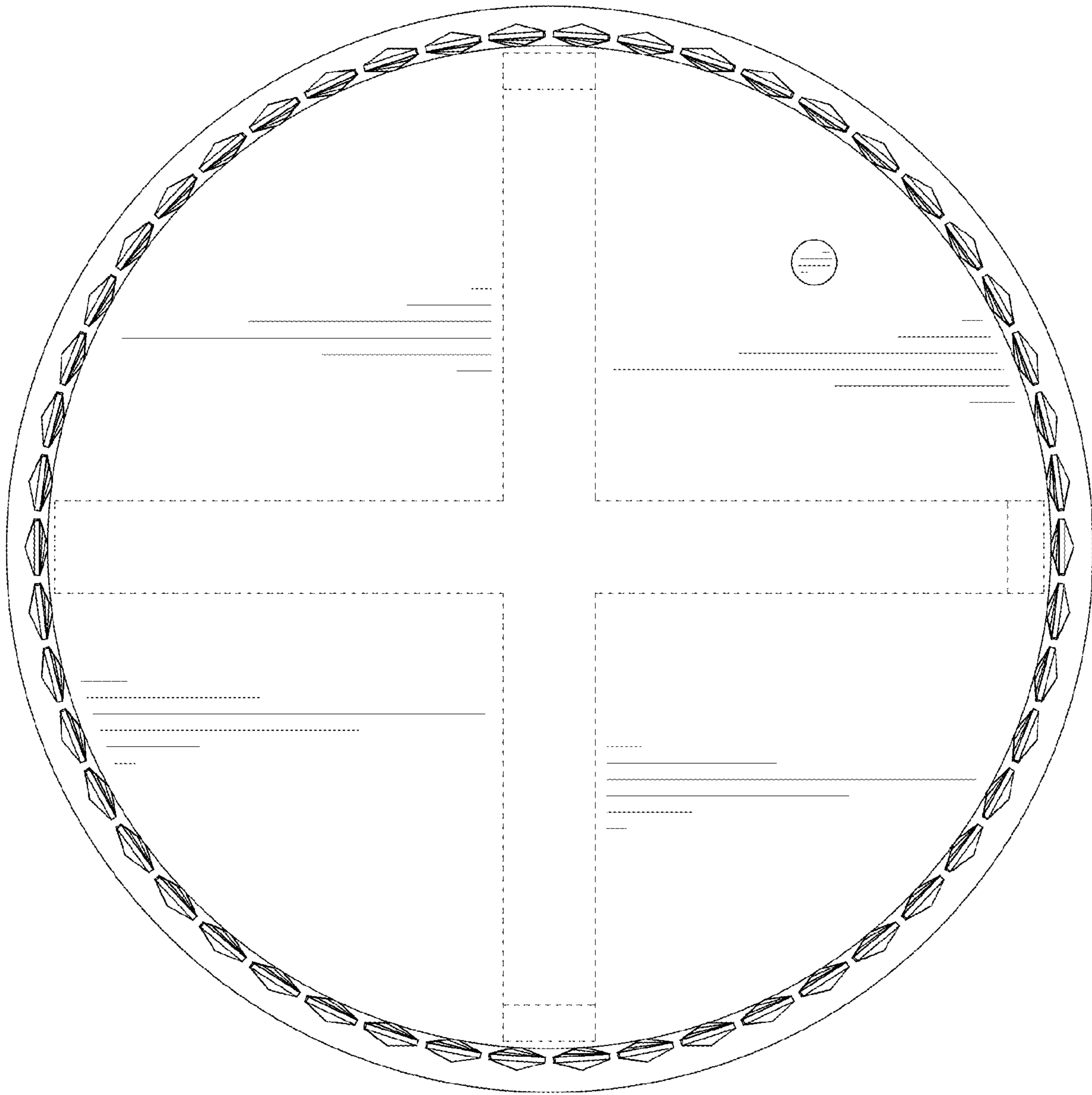


FIG. 8

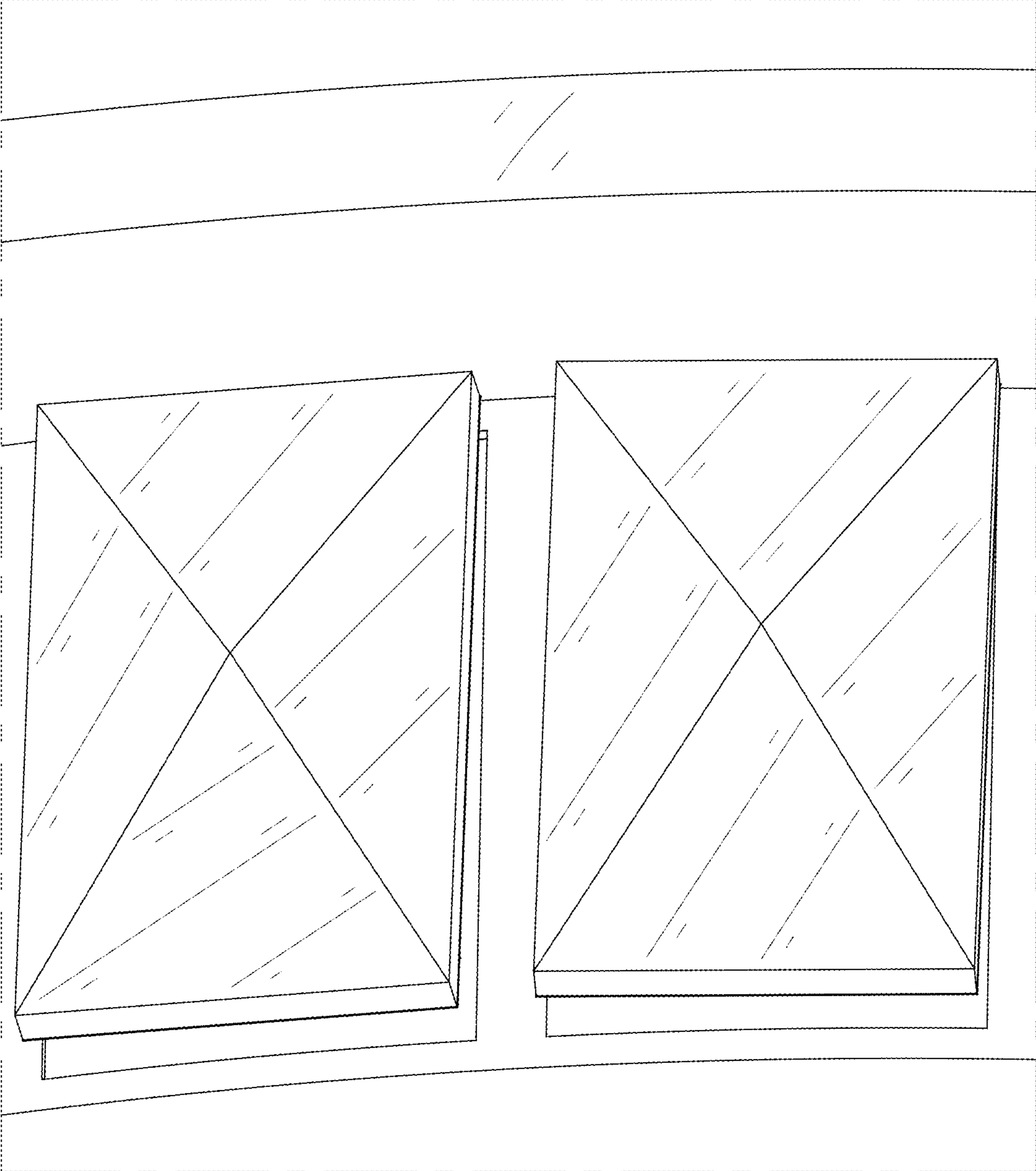


FIG. 9

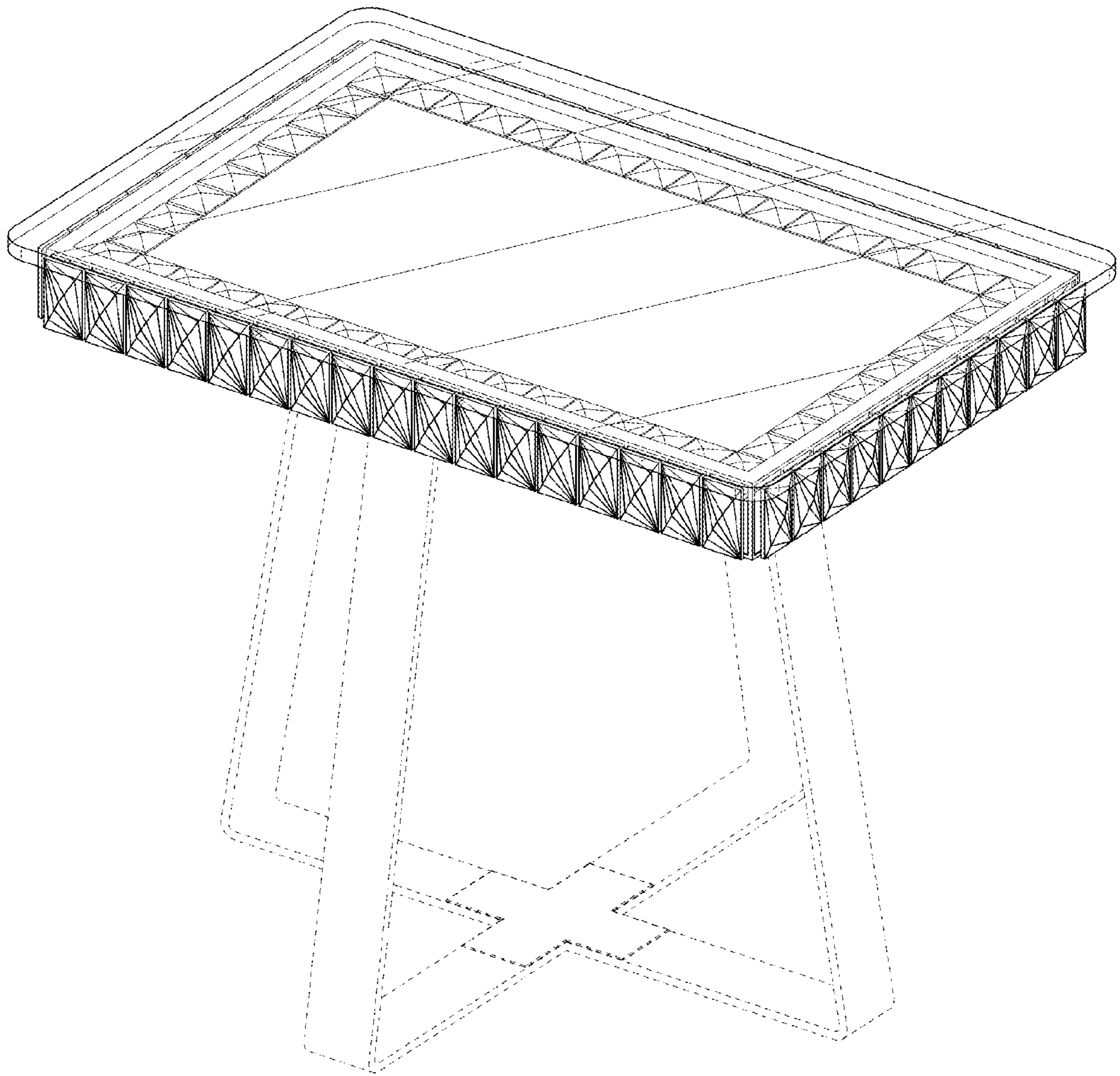


FIG. 10

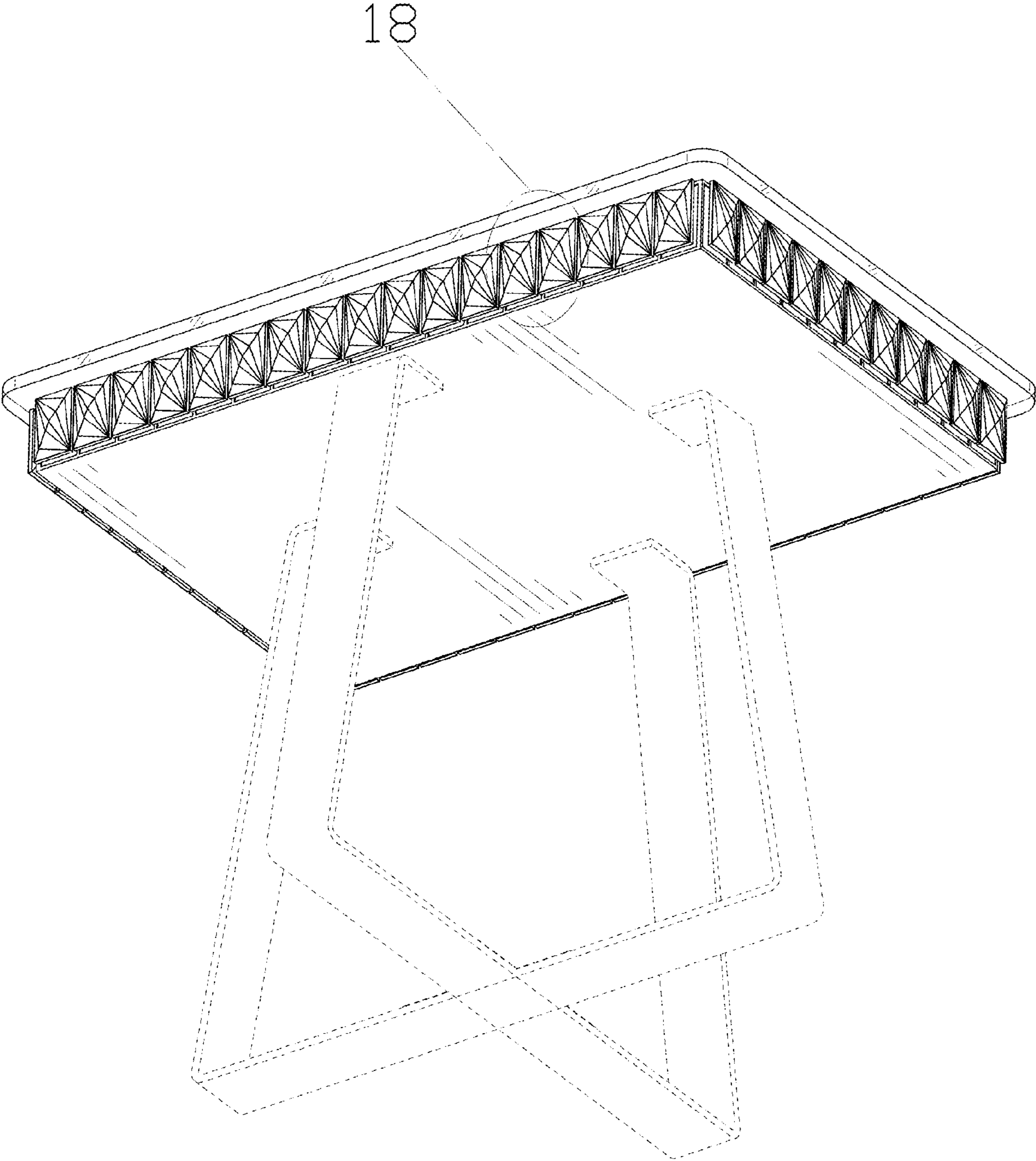


FIG. 11

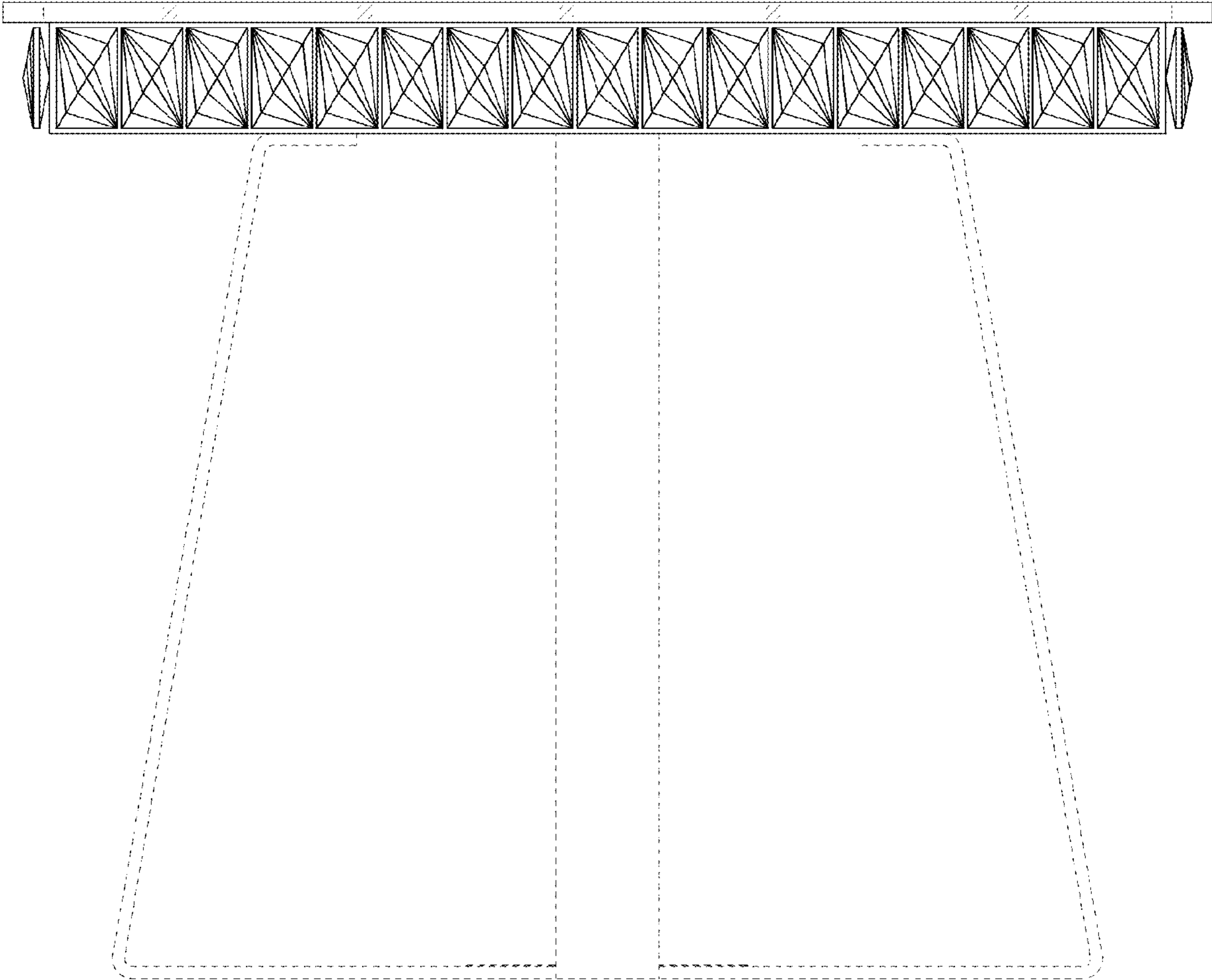


FIG. 12

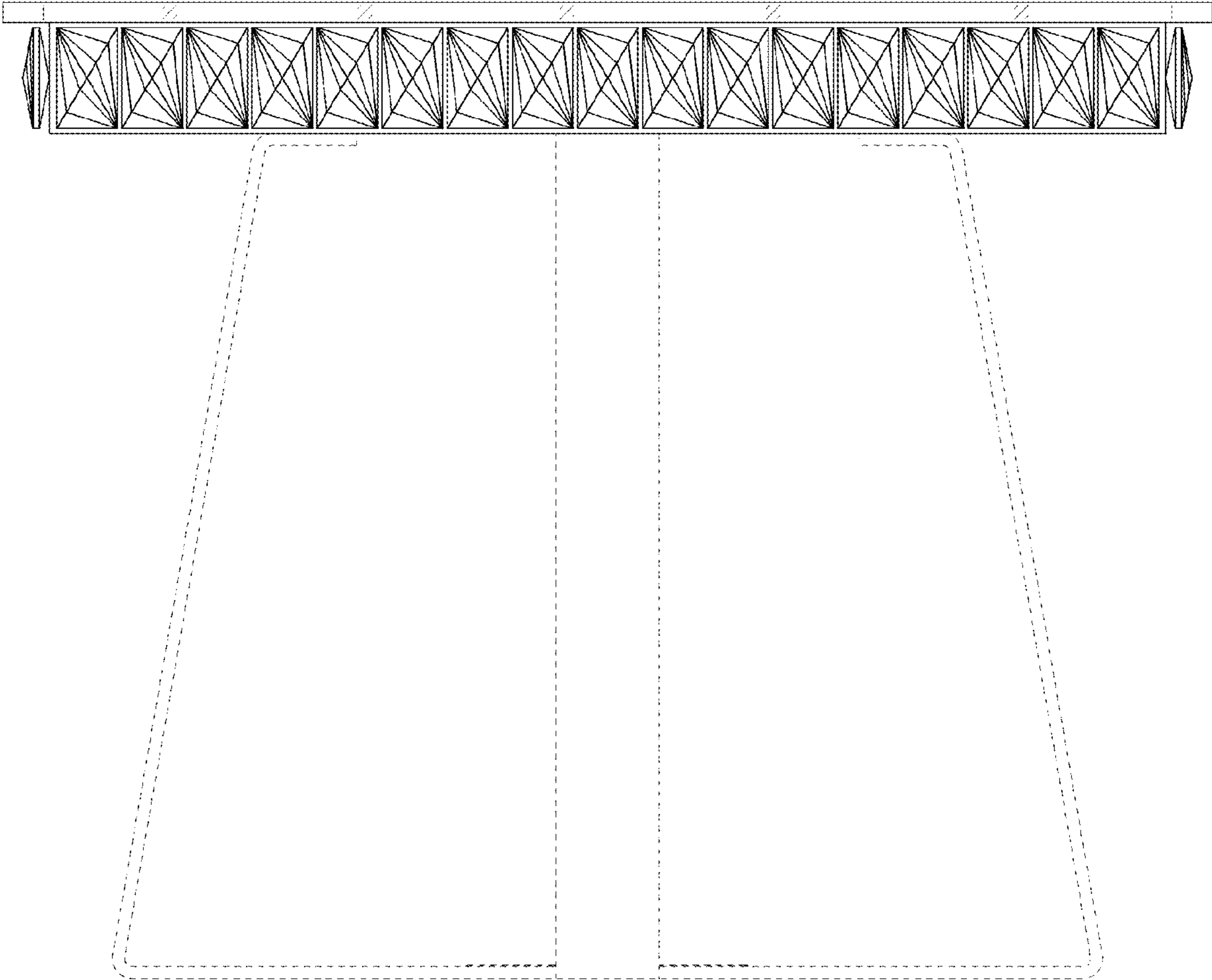


FIG. 13

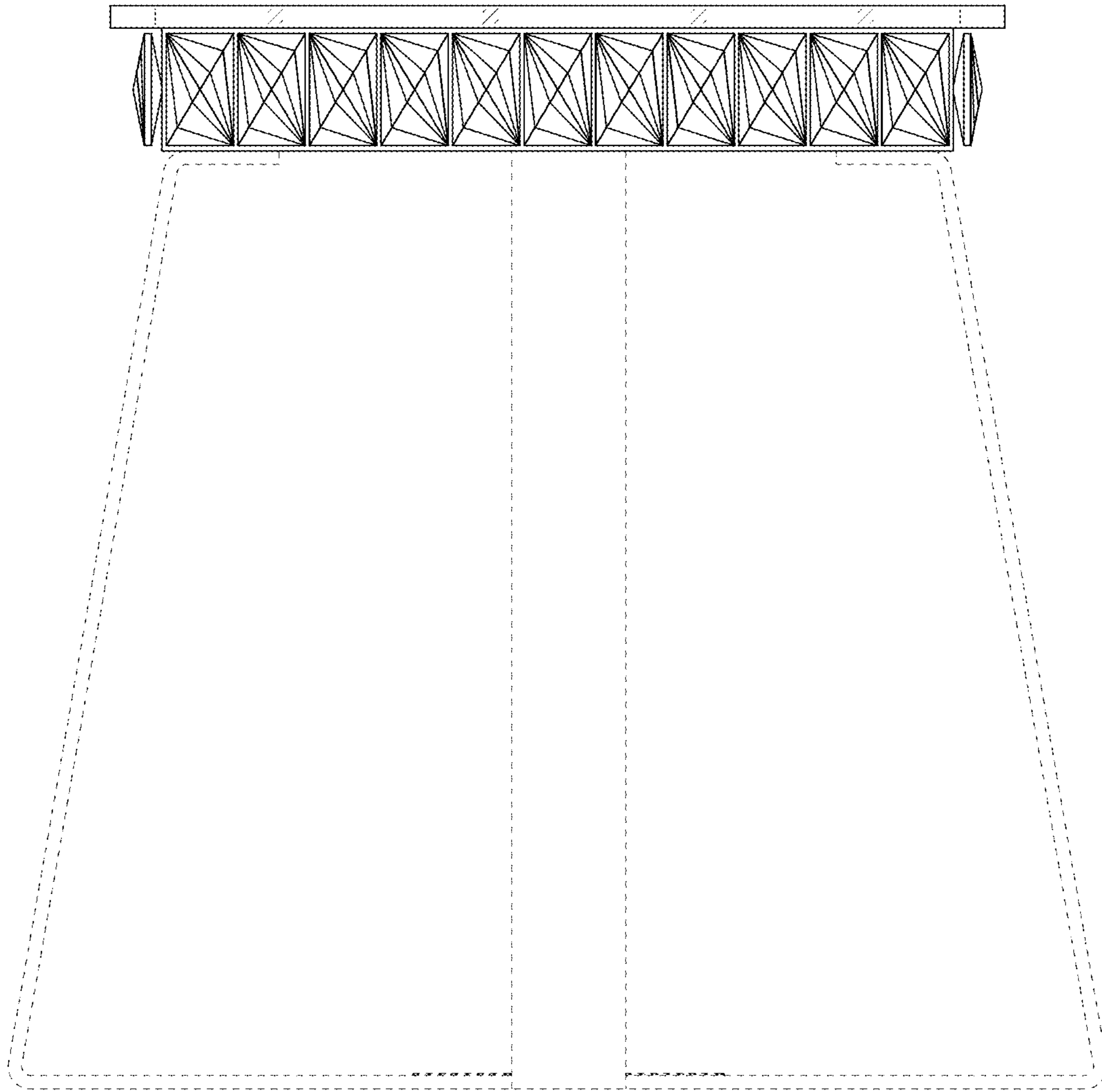


FIG. 14

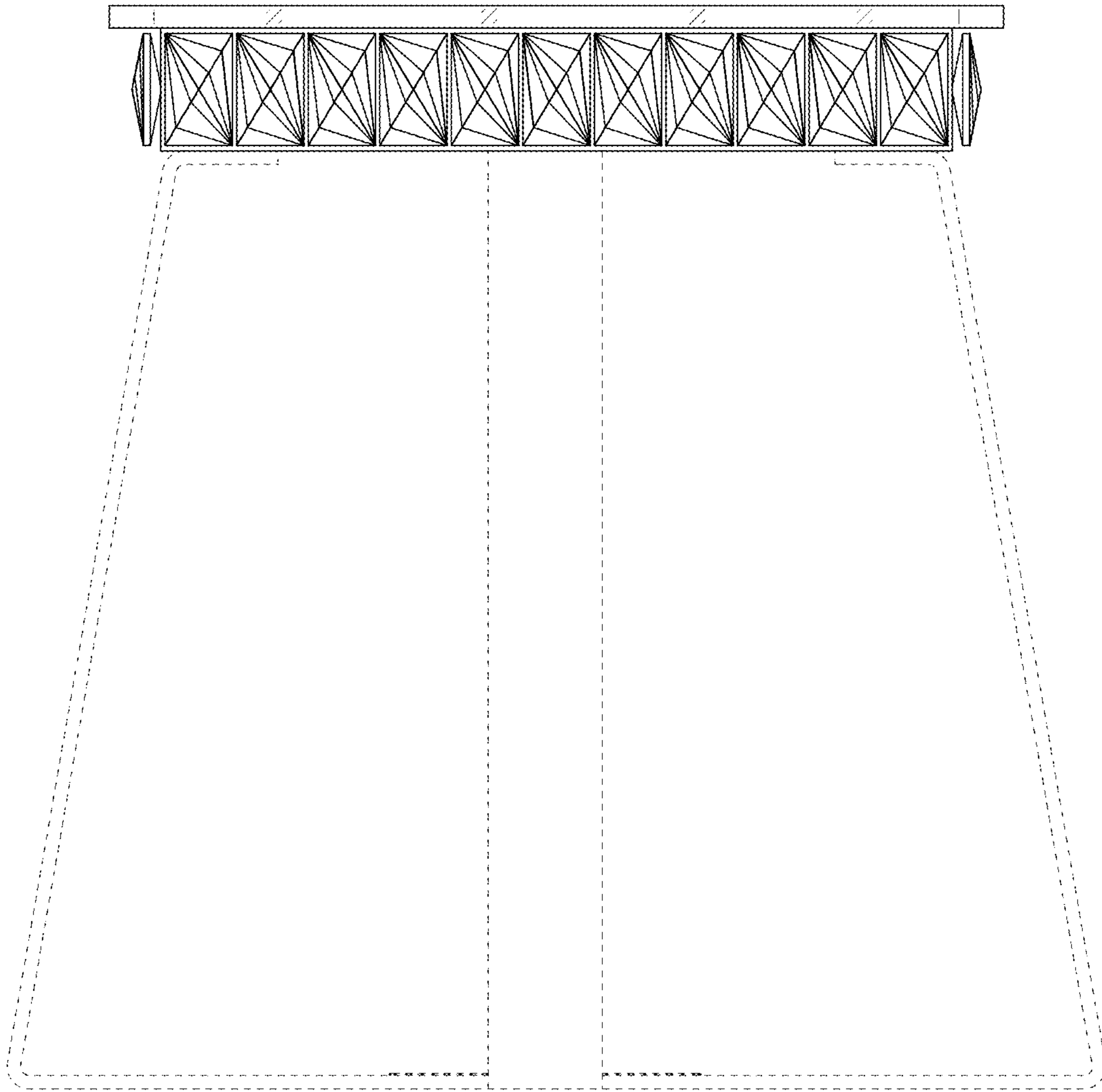


FIG. 15

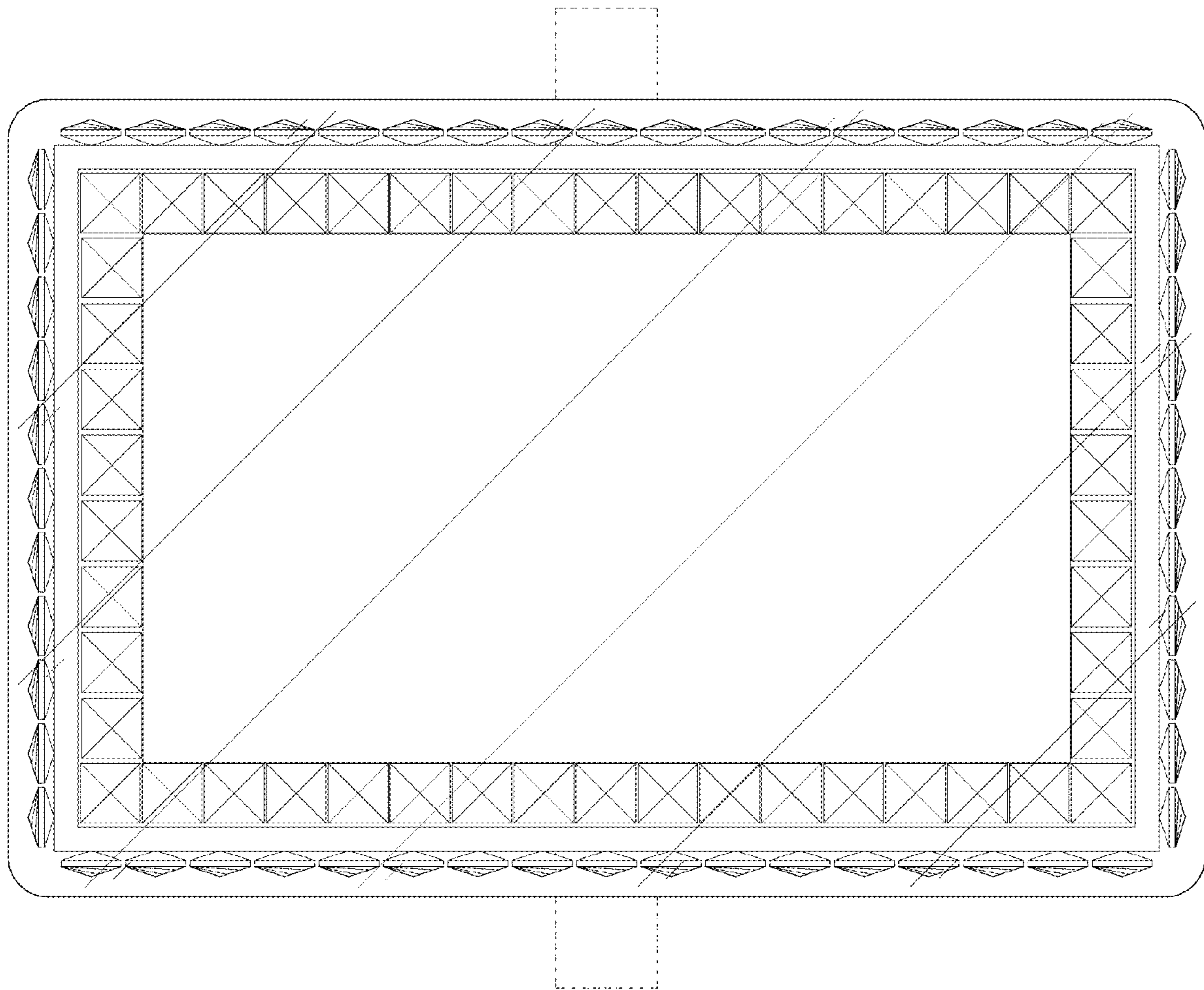


FIG. 16

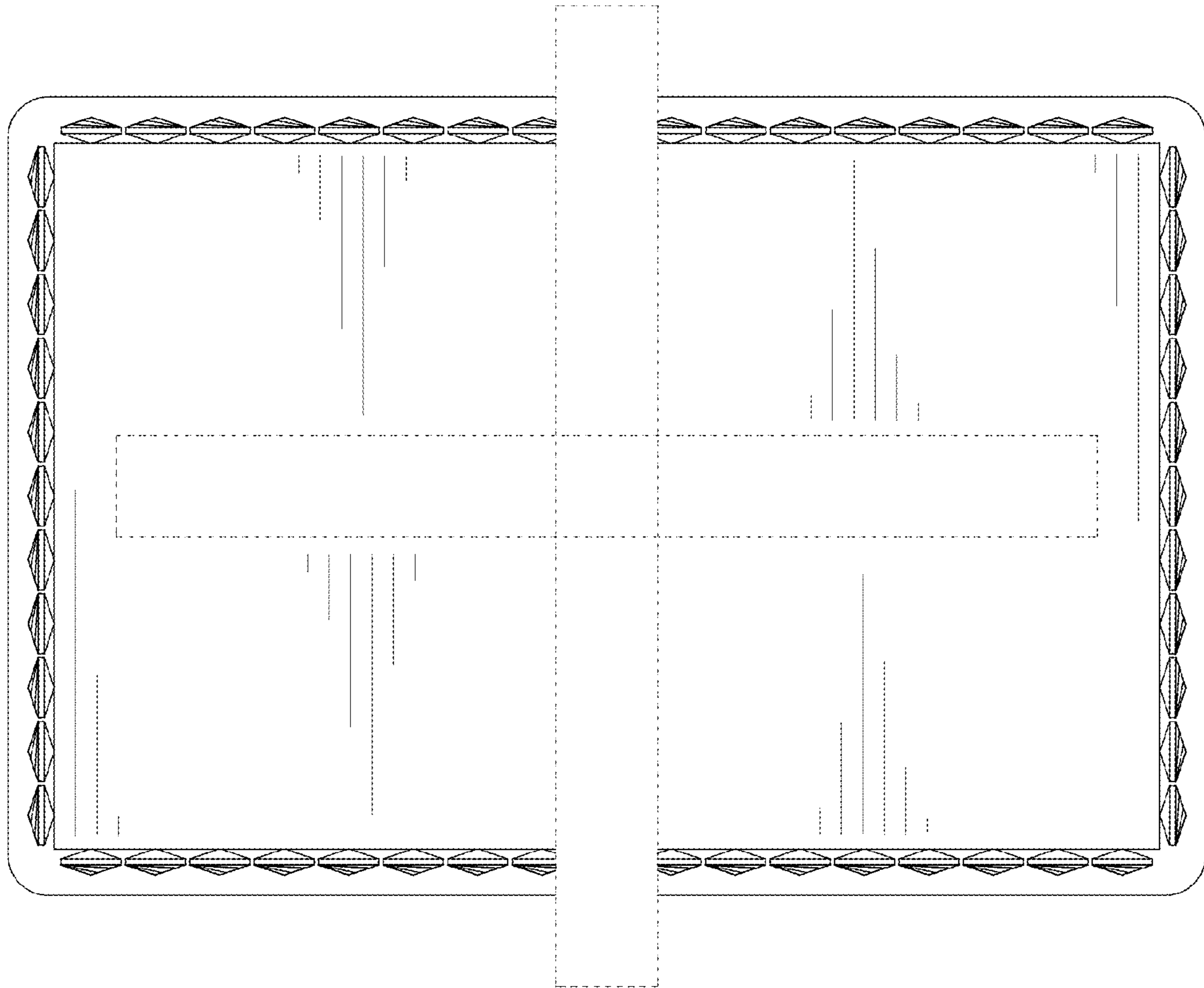


FIG. 17

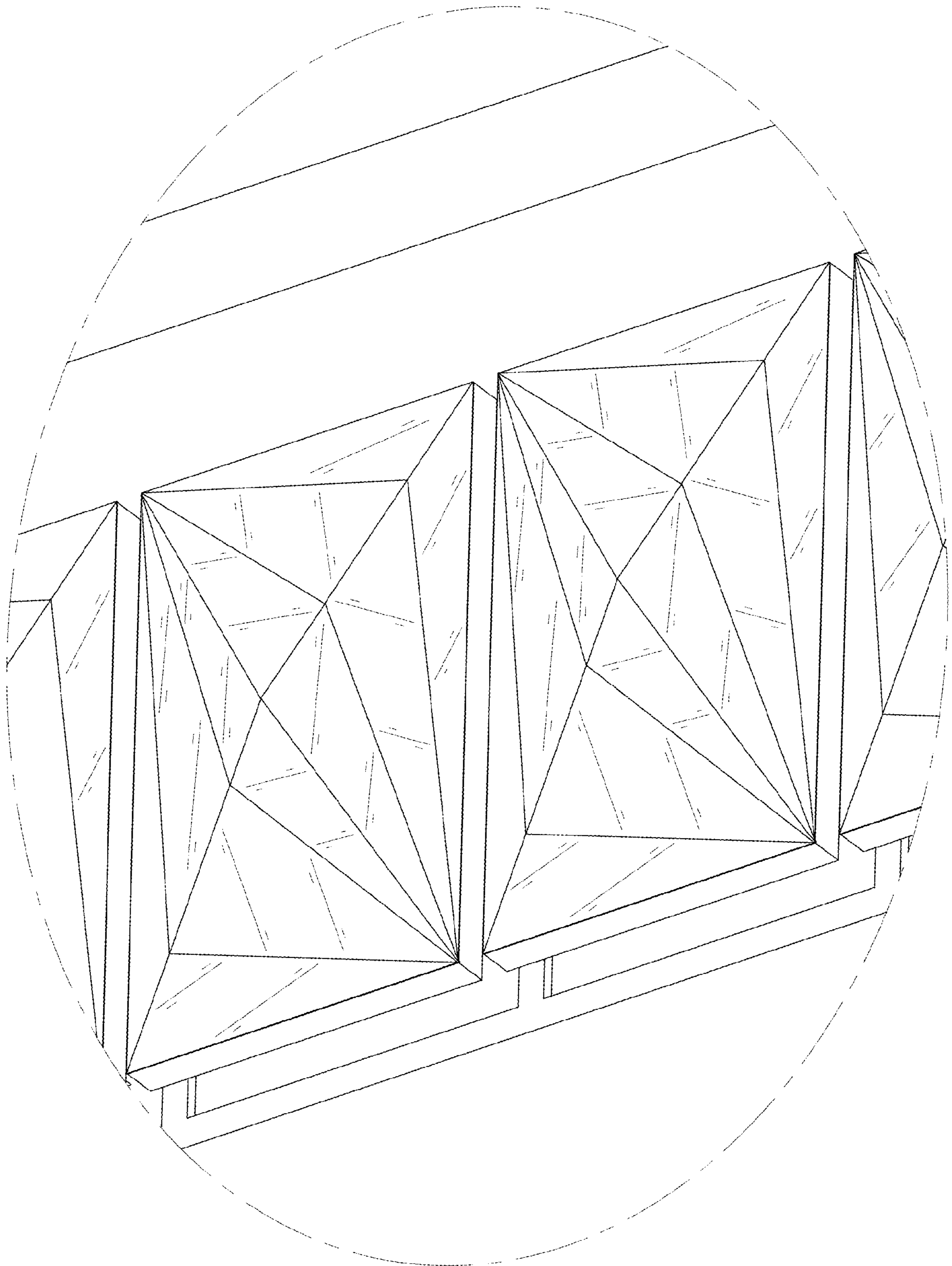


FIG. 18