



US00D934603S

(12) **United States Design Patent**
Quinn et al.

(10) **Patent No.:** **US D934,603 S**

(45) **Date of Patent:** **** Nov. 2, 2021**

(54) **TABLE**
(71) Applicant: **CleverMade, LLC**, Carlsbad, CA (US)
(72) Inventors: **Thomas A. Quinn**, Carlsbad, CA (US);
Catherine H. Quinn, Carlsbad, CA (US)

6,443,074 B1 * 9/2002 Adams A47B 3/02
108/118
D555,400 S * 11/2007 Kowalik D6/656
D688,901 S * 9/2013 Colson D6/656
D795,385 S * 8/2017 Kent D23/206
D862,951 S * 10/2019 Angel D6/691
D881,616 S * 4/2020 Batson D6/697
2002/0083870 A1 * 7/2002 Chen A47B 3/02
108/119

(73) Assignee: **CleverMade, LLC**, Carlsbad, CA (US)

(Continued)

(**) Term: **15 Years**

OTHER PUBLICATIONS

(21) Appl. No.: **29/652,308**

Adirondack Side Table, first available May 15, 2019. Amazon.com [online], [site visited Aug. 25, 2021], Internet URL: <https://www.amazon.com/cucunu-Coffee-Folding-Square-Outdoor/dp/B07RWMLPF9/> (Year: 2019).*

(22) Filed: **Jul. 16, 2020**

(51) **LOC (13) Cl.** **06-03**

(52) **U.S. Cl.**
USPC **D6/695.1**

(Continued)

(58) **Field of Classification Search**
USPC D6/695, 697, 686, 691, 691.1, 692.1,
D6/695.1
CPC A47B 3/02; A47B 3/00; A47B 3/14; A47B
2003/025; A47B 3/083
See application file for complete search history.

Primary Examiner — Steven J Czyz
Assistant Examiner — Hillary Catherine Shepard
(74) *Attorney, Agent, or Firm* — Ryan Dean; Umberg
Zipser, LLP

(56) **References Cited**

(57) **CLAIM**

We claim the ornamental design for a table, as shown and described.

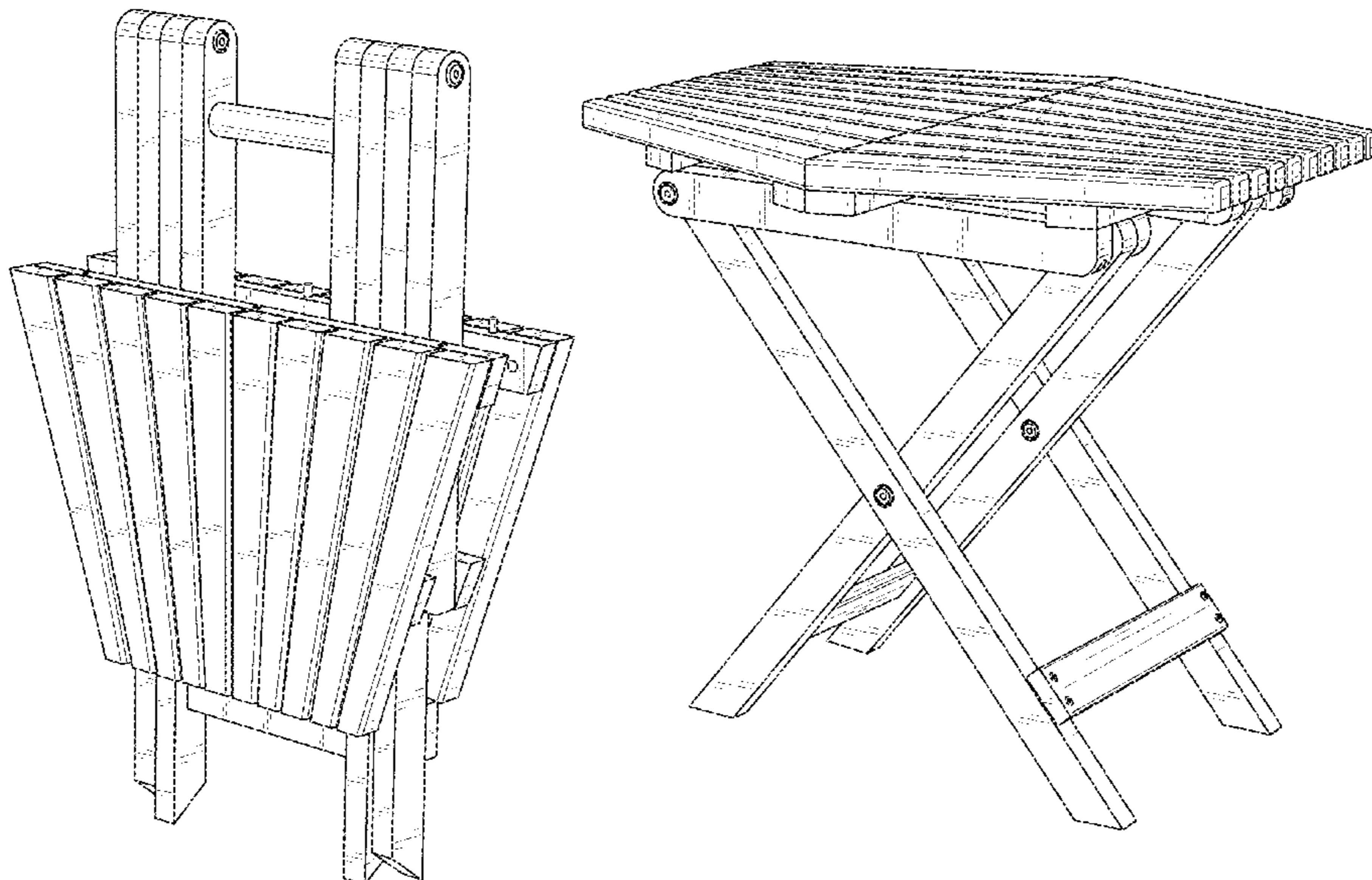
U.S. PATENT DOCUMENTS

DESCRIPTION

D116,551 S * 9/1939 Cumper D6/695
3,311,071 A * 3/1967 Cook A47C 4/14
108/119
3,692,358 A * 9/1972 Sung A47B 3/02
297/158.4
4,190,001 A * 2/1980 Cecala A47B 13/04
108/161
4,229,038 A * 10/1980 Drost A47B 3/02
108/173
D276,100 S * 10/1984 Middleton D6/672
D388,638 S * 1/1998 Ludlam D6/692
D394,361 S * 5/1998 Adams D6/691.1
D407,235 S * 3/1999 Cunningham D6/692.1
6,231,015 B1 * 5/2001 Kun A47C 16/00
108/118

FIG. 1 is a perspective view of a table in a collapsed orientation;
FIG. 2 is a perspective view of the table in an upright orientation.
FIG. 3 is a front elevation view of the table.
FIG. 4 is a back elevation view of the table.
FIG. 5 is a left side elevation view of the table.
FIG. 6 is a right side elevation view of the table.
FIG. 7 is a top plan view of the table; and,
FIG. 8 is a bottom plan view of the table.

1 Claim, 8 Drawing Sheets



(56)

References Cited

U.S. PATENT DOCUMENTS

2014/0090582 A1* 4/2014 Grace A47B 9/14
108/106
2021/0186205 A1* 6/2021 Goodworth A47B 3/02

OTHER PUBLICATIONS

Tamarack Table by CleverMade, first available Jul. 28, 2021.
Youtube.com [online], [site visited Aug. 25, 2021], Internet URL:
<https://www.youtube.com/watch?v=GI5Aw3ZceSg> (Year: 2021).*

Folding Bistro Table, first available Jul. 14, 2021. Etsy.com [online],
[site visited Aug. 26, 2021], Internet URL: [https://www.etsy.com/
listing/1051342229/folding-bistro-table-236x236x\[256-solid?ref=
shop_home_recs_1&pro=1&frs=1](https://www.etsy.com/listing/1051342229/folding-bistro-table-236x236x[256-solid?ref=shop_home_recs_1&pro=1&frs=1) (Year: 2021).*

Wedge Accent Table, first available, unknown. Amishcraftsmanguild.
com [online], [site visited Aug. 30, 2021] Internet URL:[https://
amishcraftsmenguild.com/products/accent-tables/wedge-accent-table-
dt01/](https://amishcraftsmenguild.com/products/accent-tables/wedge-accent-table-dt01/) (Year: 2021).*

Wedged Side Table Adirondack Style, first available, unknown.
Pinterest.com [online], [site visited Aug. 30, 2021] Internet URL:
<https://www.pinterest.com/pin/175851560419675983/> (Year: 2021).*

* cited by examiner

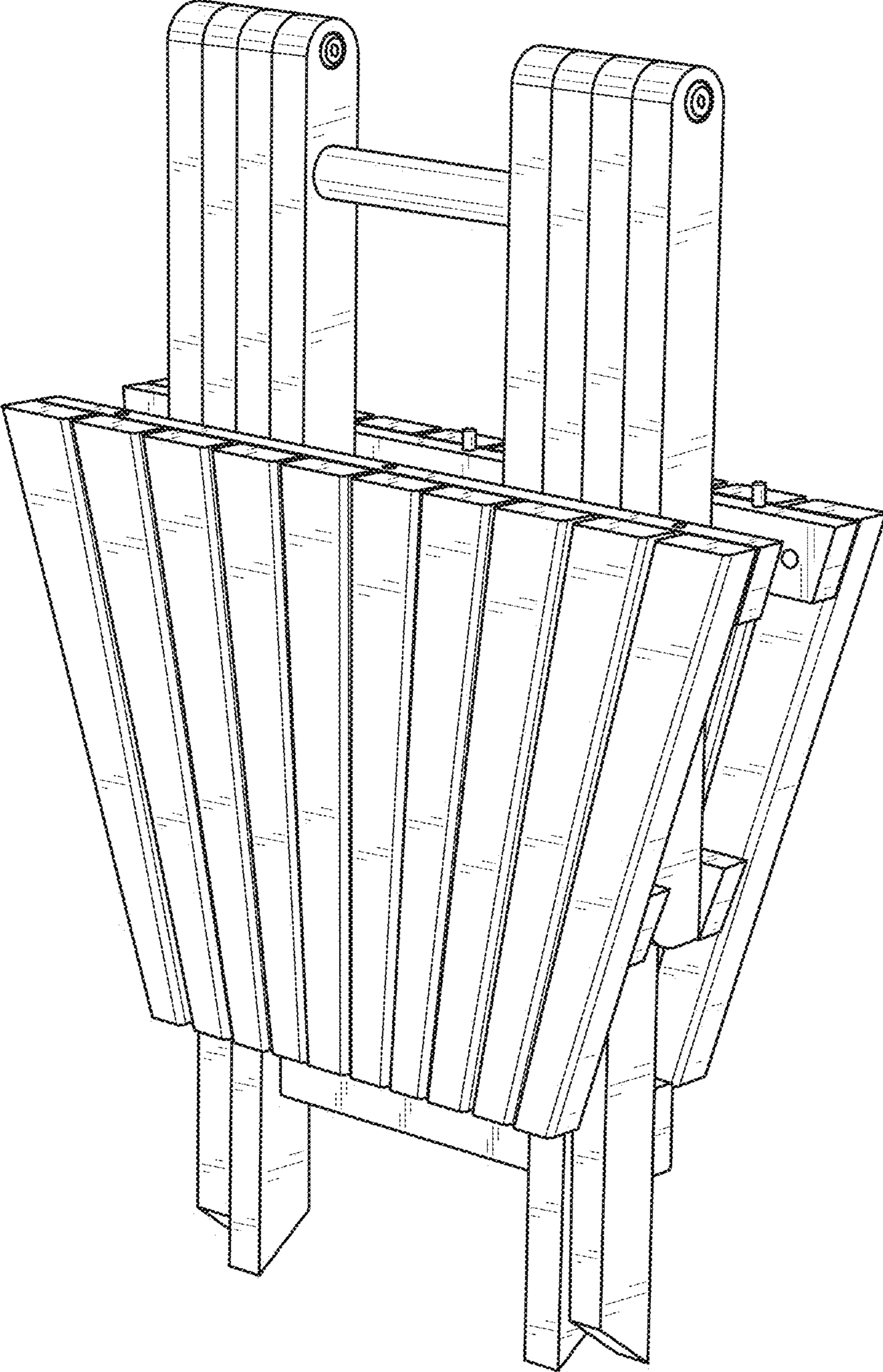


FIG. 1



FIG. 2

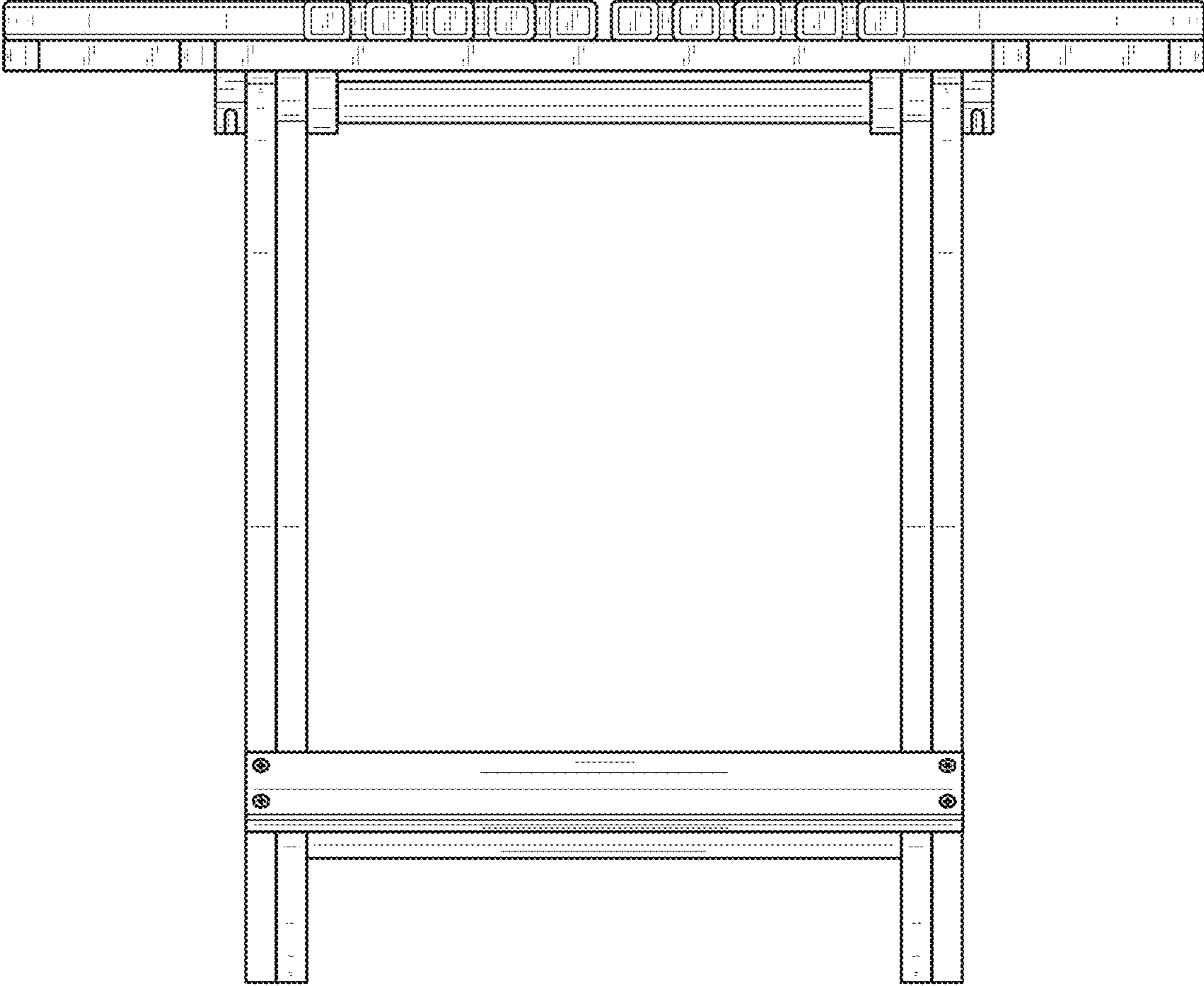


FIG. 3

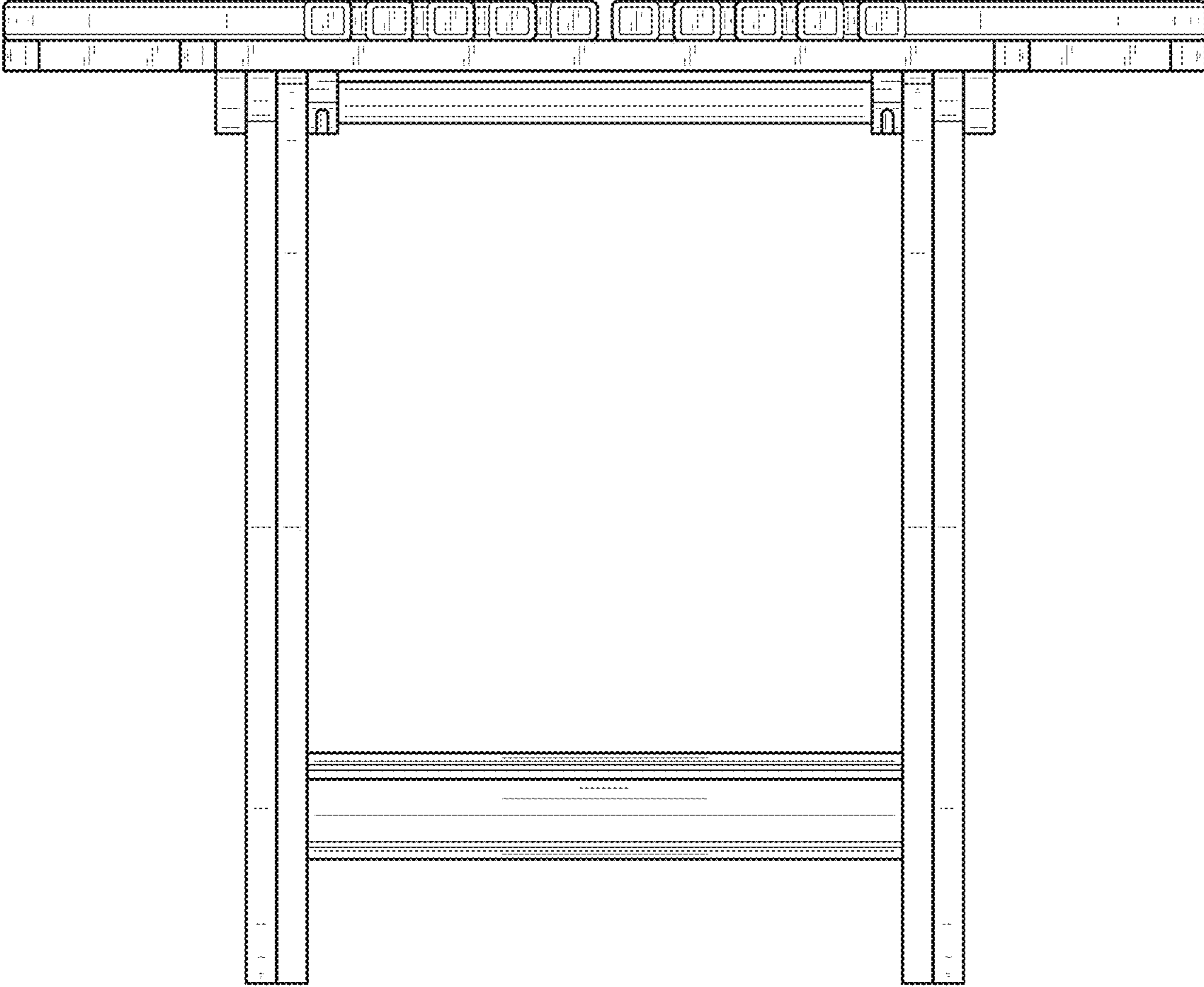


FIG. 4

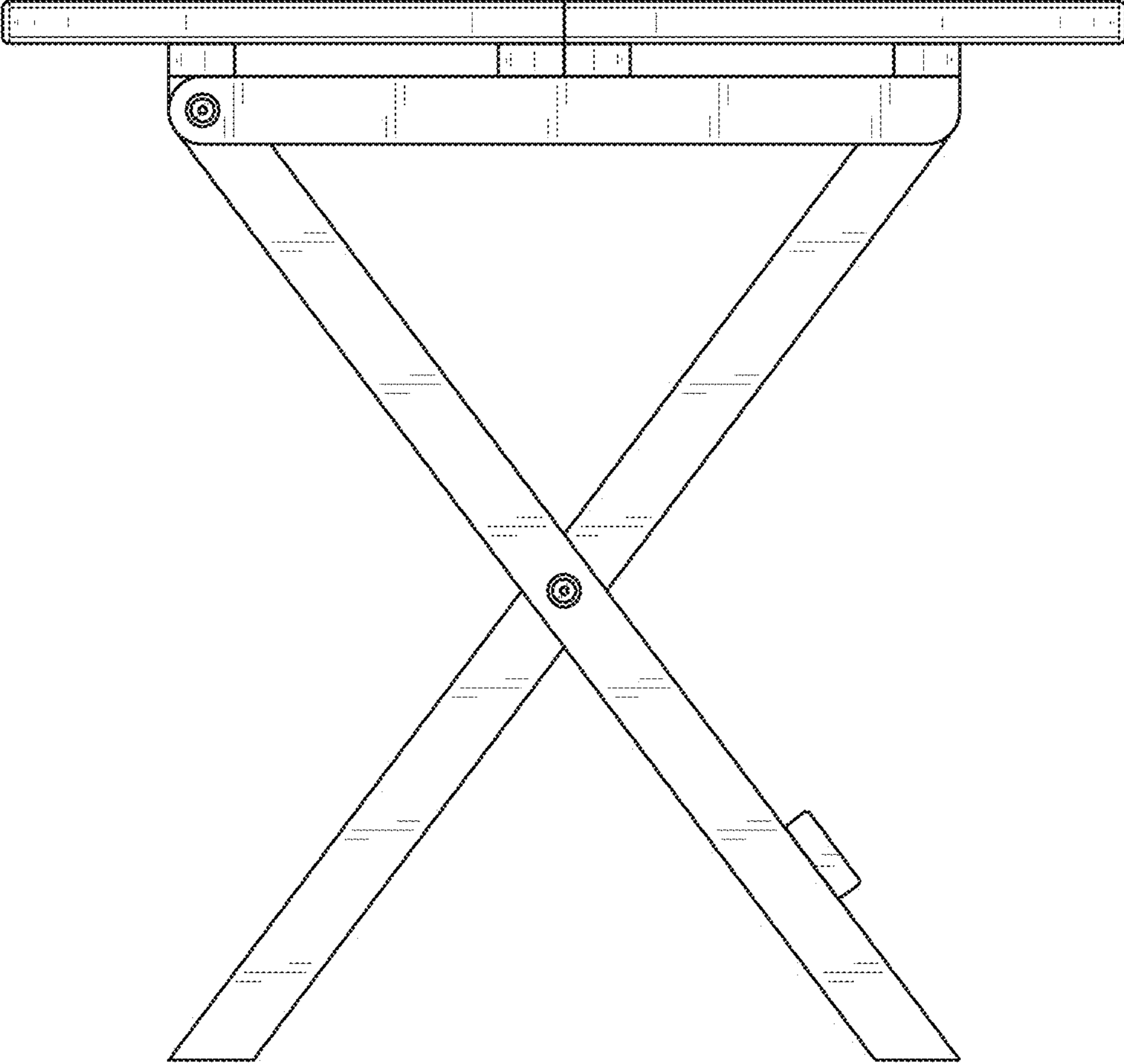


FIG. 5

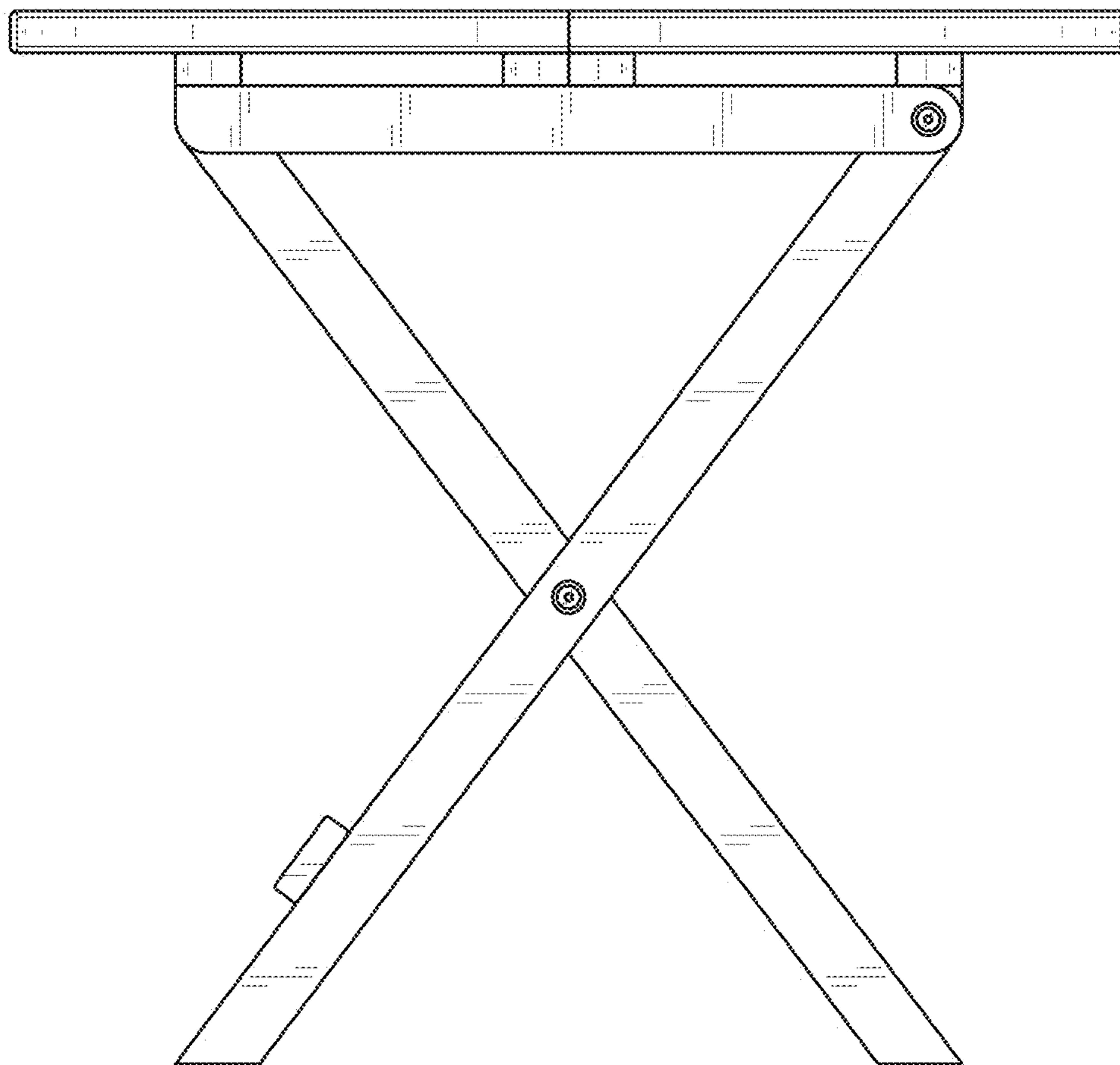


FIG. 6

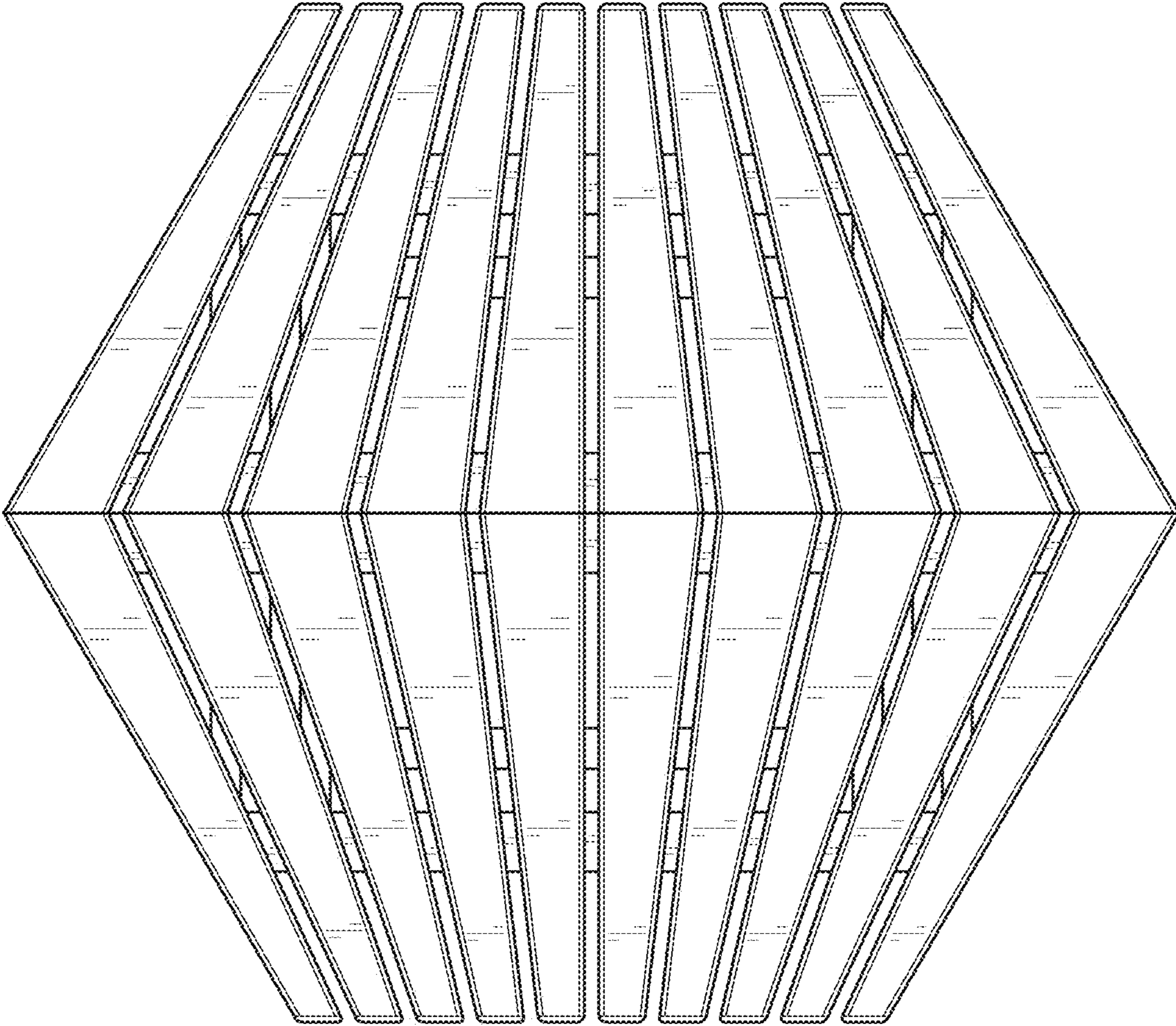


FIG. 7

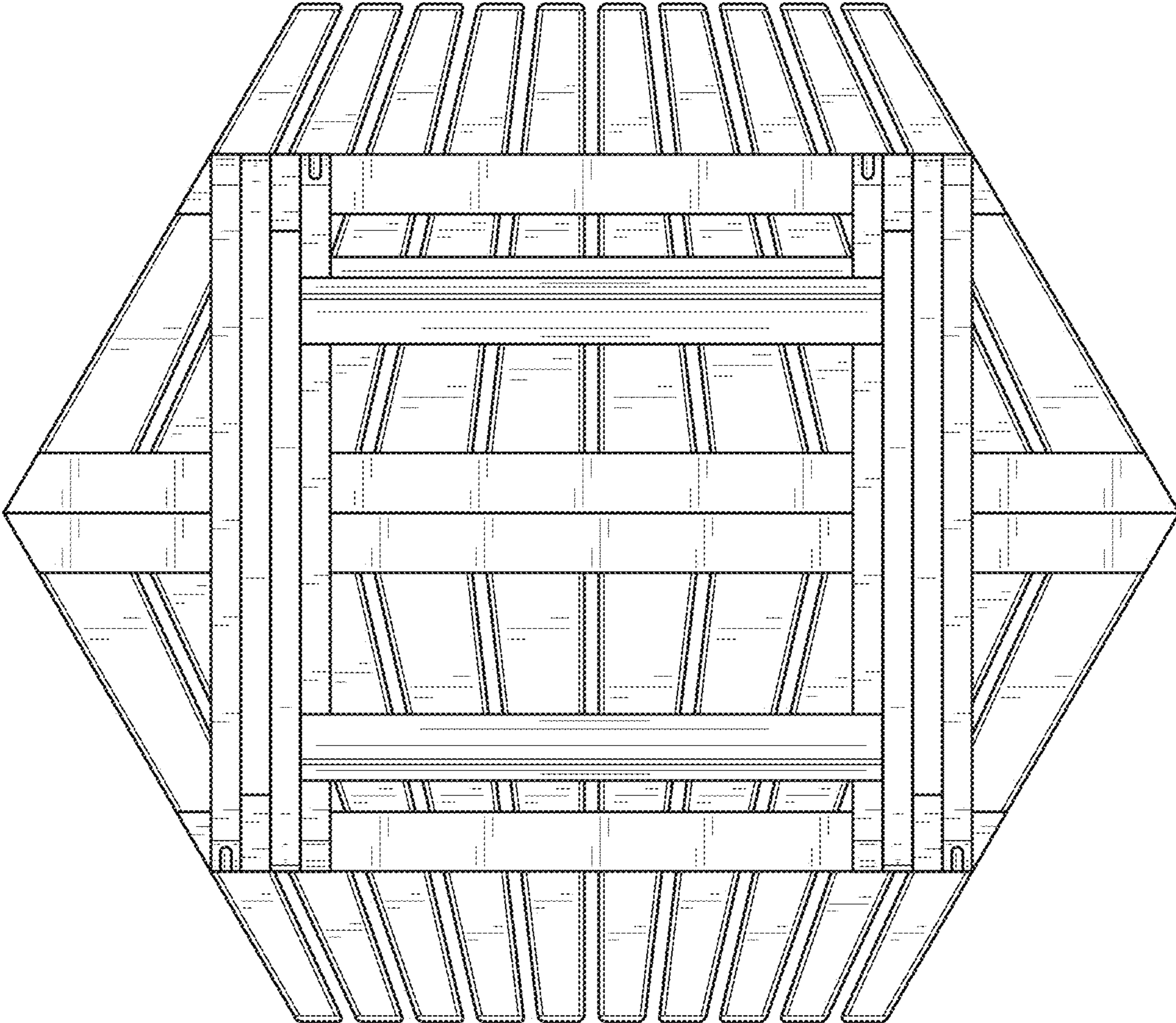


FIG. 8