



US00D934602S

(12) **United States Design Patent** (10) **Patent No.:** **US D934,602 S**  
**Li** (45) **Date of Patent:** **\*\* Nov. 2, 2021**

(54) **DINING TABLE**

(71) Applicant: **Homy Casa Limited**, Hong Kong (HK)

(72) Inventor: **YueHai Li**, Guangzhou (CN)

(73) Assignee: **HOMY CASA LIMITED**, Hong Kong (HK)

(\*\*) Term: **15 Years**

(21) Appl. No.: **29/701,111**

(22) Filed: **Aug. 8, 2019**

(51) **LOC (13) Cl.** ..... **06-03**

(52) **U.S. Cl.**

USPC ..... **D6/692.4**

(58) **Field of Classification Search**

USPC ..... D6/641, 642, 644, 647, 656, 656.1, D6/656.12, 656.13–656.19, 685, 686, 692, D6/692.1–692.6

CPC ..... A47B 7/00; A47B 13/00; A47B 13/02; A47B 13/04; A47B 13/06; A47B 13/08; A47B 13/10; A47B 13/12; A47B 17/00; A47B 17/003; A47B 17/006; A47B 17/33; A47B 17/06; A47B 21/00; A47B 21/0314; A47B 202/0307; A47B 2021/0321; A47B 2021/0335; A47B 2021/0364; A47B 2200/0001; A47B 2200/0002; A47B 2200/0003; A47B 2200/0004; A47B 2200/0011; A47B 2200/002

See application file for complete search history.

(56) **References Cited**

U.S. PATENT DOCUMENTS

1,652,942	A *	12/1927	James	.....	A47B 3/12
					108/159
2,926,794	A *	3/1960	Karoff	.....	A47B 13/16
					108/99
D258,104	S *	2/1981	Baker	.....	D6/692
D265,364	S *	7/1982	Walker	.....	A47B 3/12
					D6/556
D839,645	S *	2/2019	Itou	.....	A47B 13/16
					D6/692
D851,971	S *	6/2019	Axelsson	.....	D6/692.4
D876,864	S *	3/2020	He	.....	D6/692.4
D915,806	S *	4/2021	van Thiel	.....	D6/692.1
2018/0085912	A1 *	3/2018	Cindric	.....	E04G 1/30

\* cited by examiner

*Primary Examiner* — Mary Ann Calabrese

(74) *Attorney, Agent, or Firm* — Hauptman Ham, LLP

(57) **CLAIM**

The ornamental design for a dining table, as shown.

**DESCRIPTION**

FIG. 1 is a front view of a dining table showing my new design.

FIG. 2 is a back view of the dining table of FIG. 1.

FIG. 3 is a left side view of the dining table of FIG. 1.

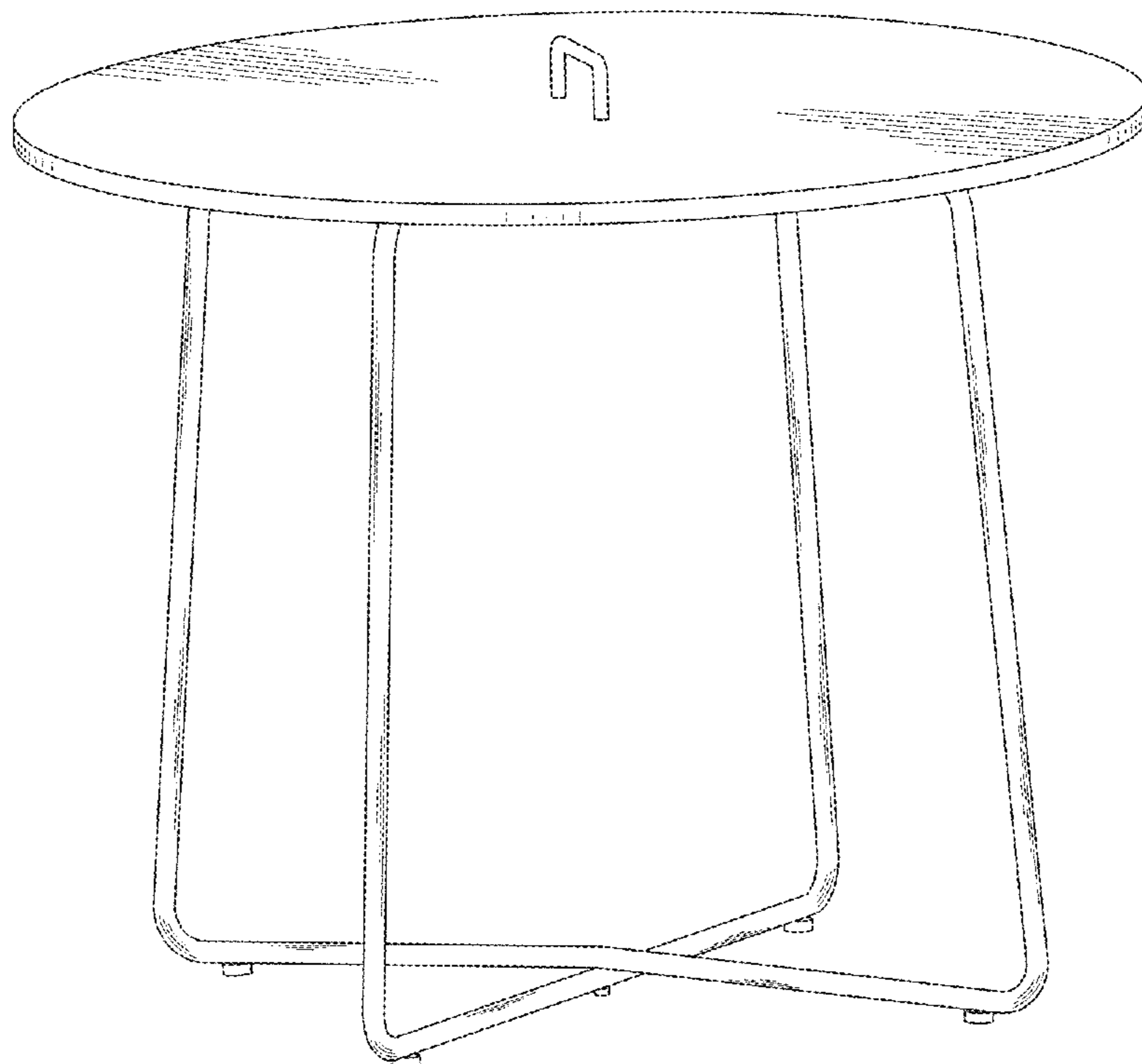
FIG. 4 is a right side view of the dining table of FIG. 1.

FIG. 5 is a top view of the dining table of FIG. 1.

FIG. 6 is a bottom view of the dining table of FIG. 1; and,

FIG. 7 is a perspective view of the dining table of FIG. 1.

**1 Claim, 7 Drawing Sheets**



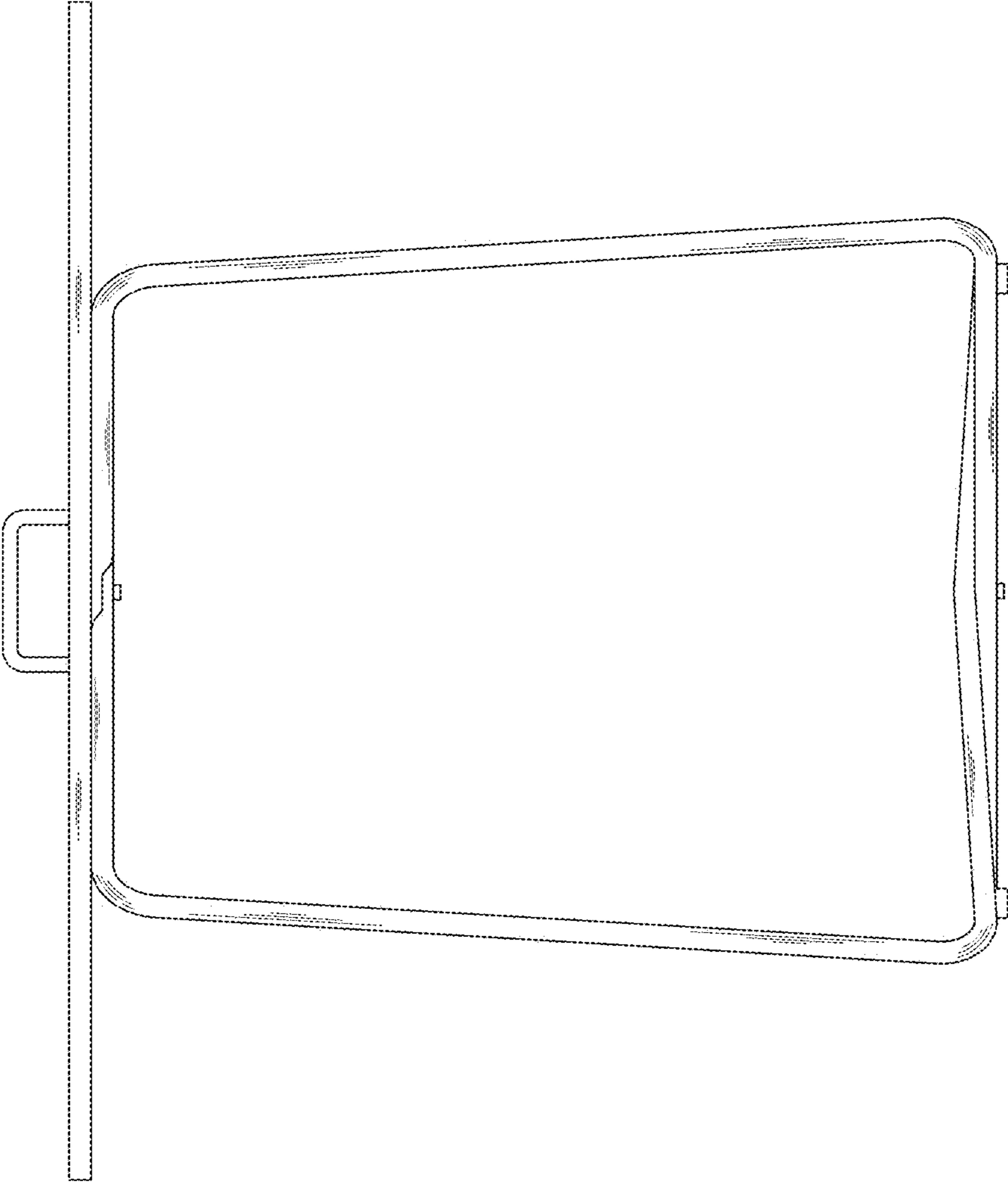


FIG. 1

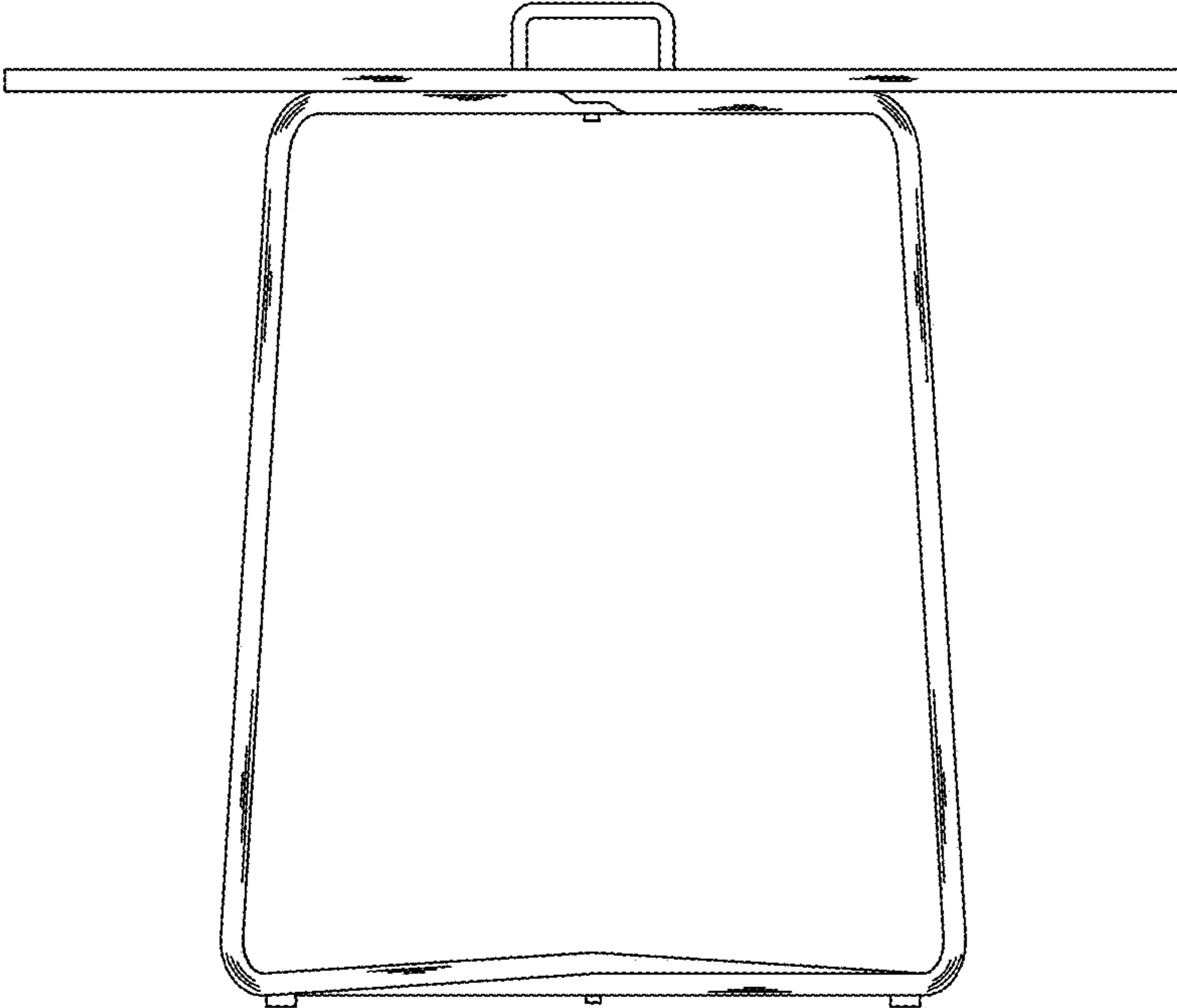


FIG. 2

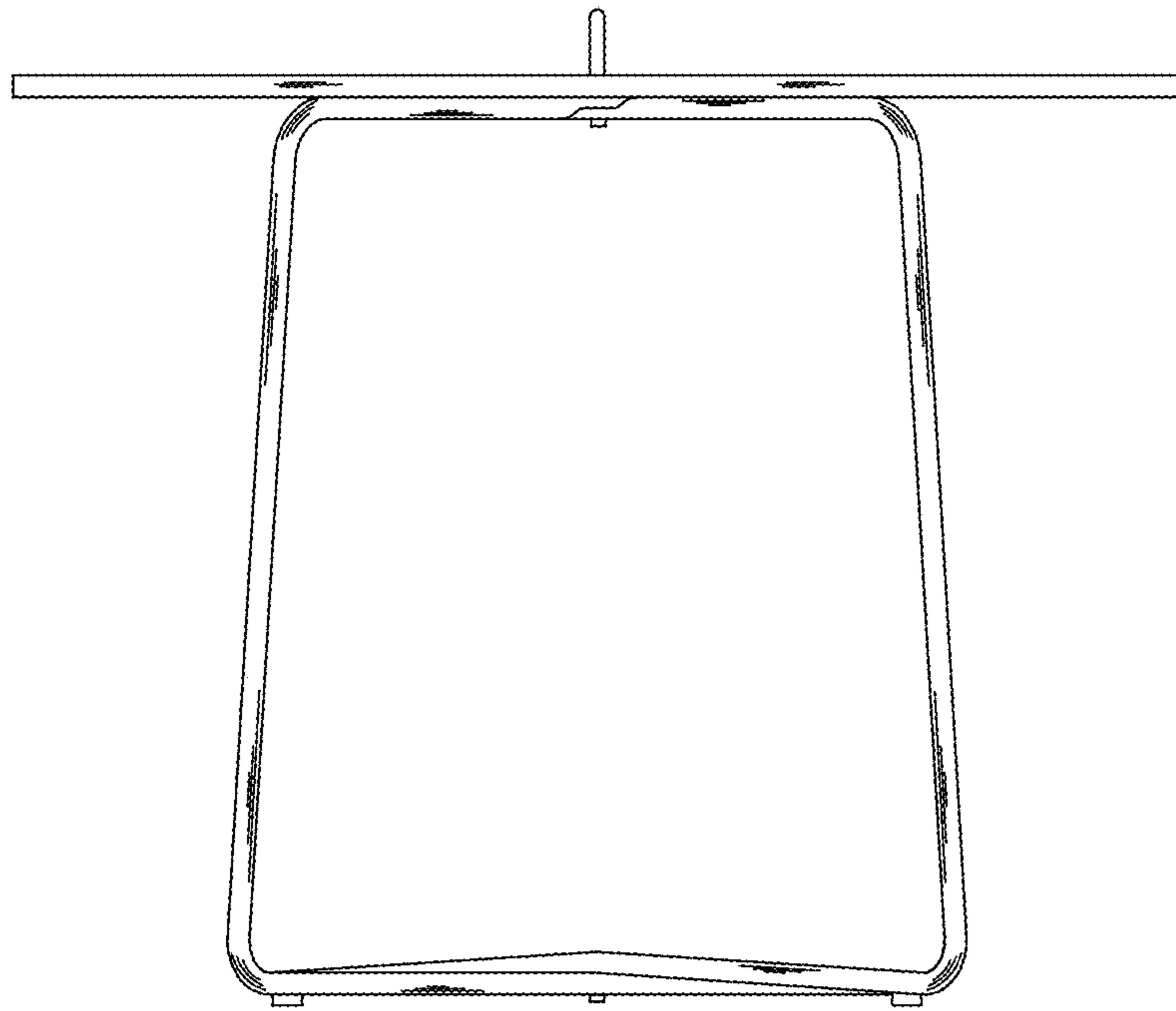


FIG. 3

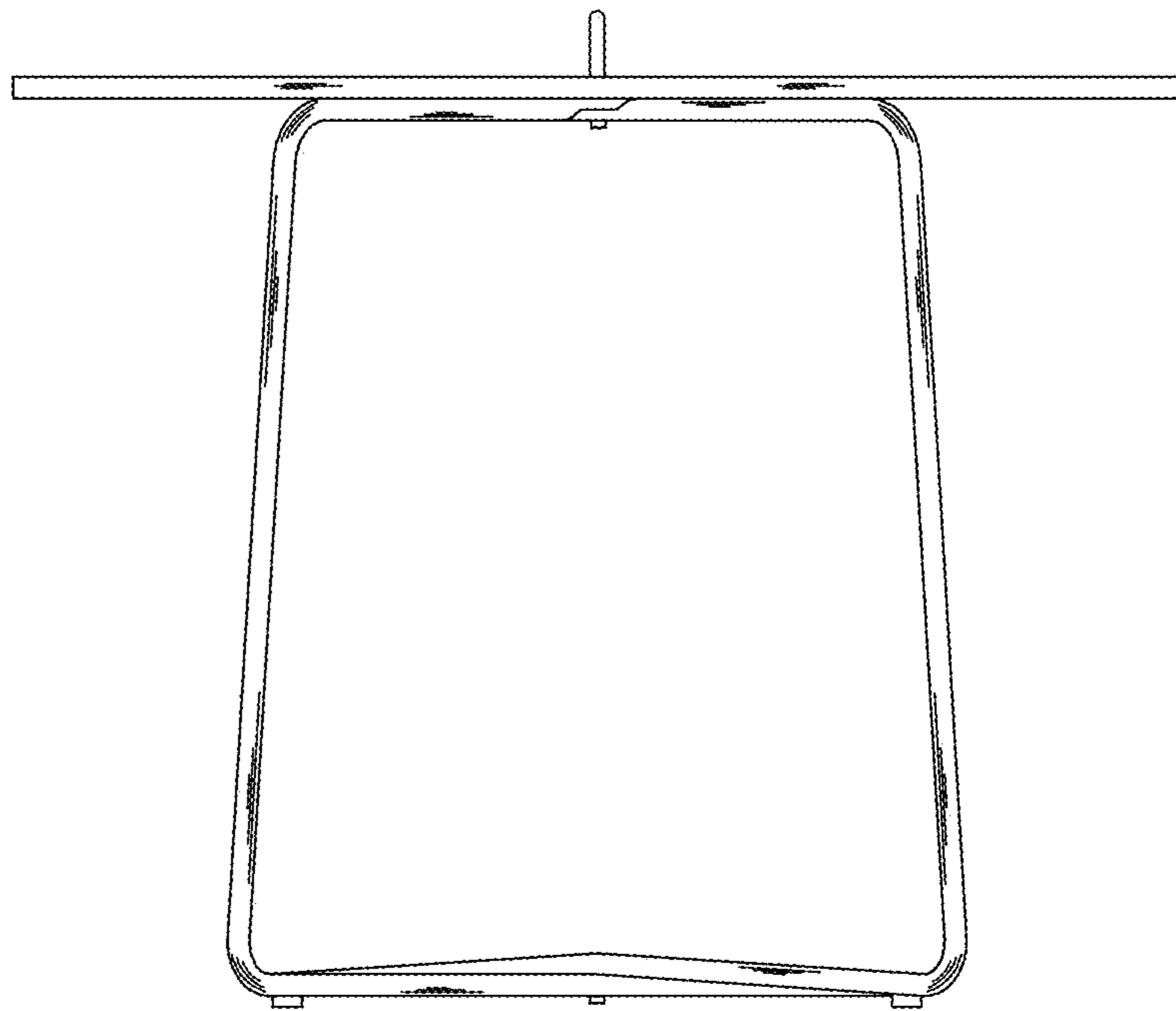


FIG. 4

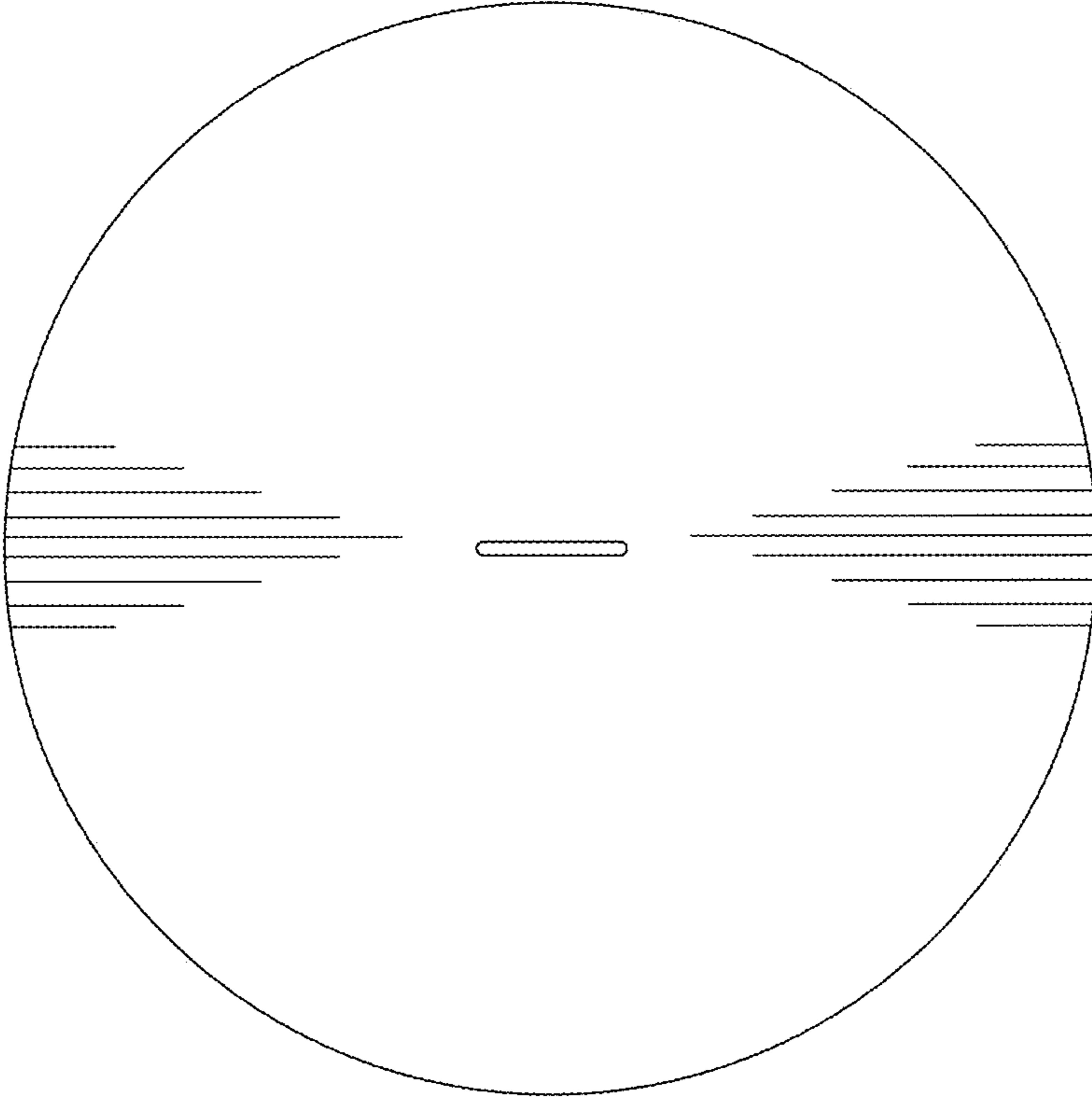


FIG. 5

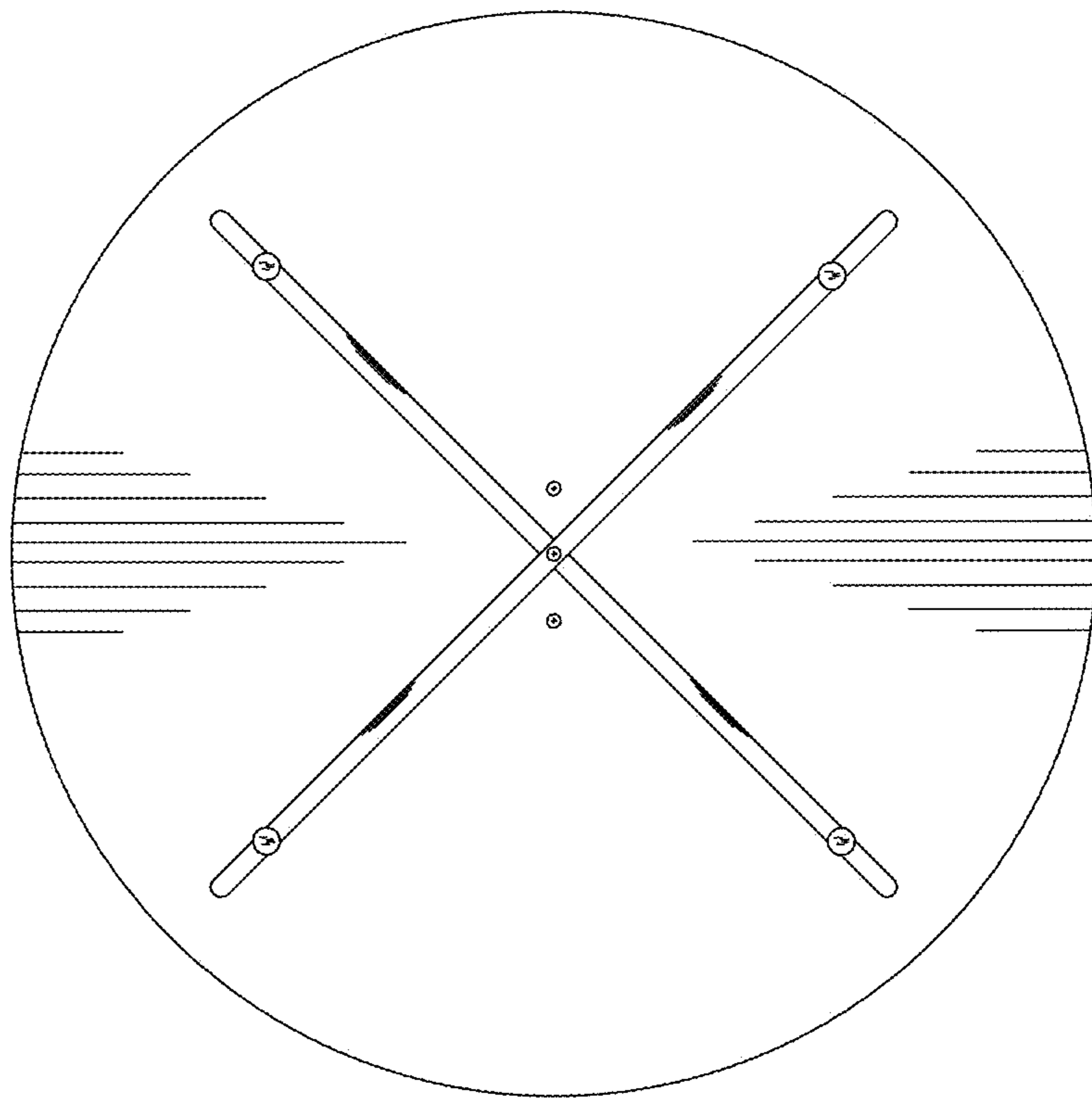


FIG. 6

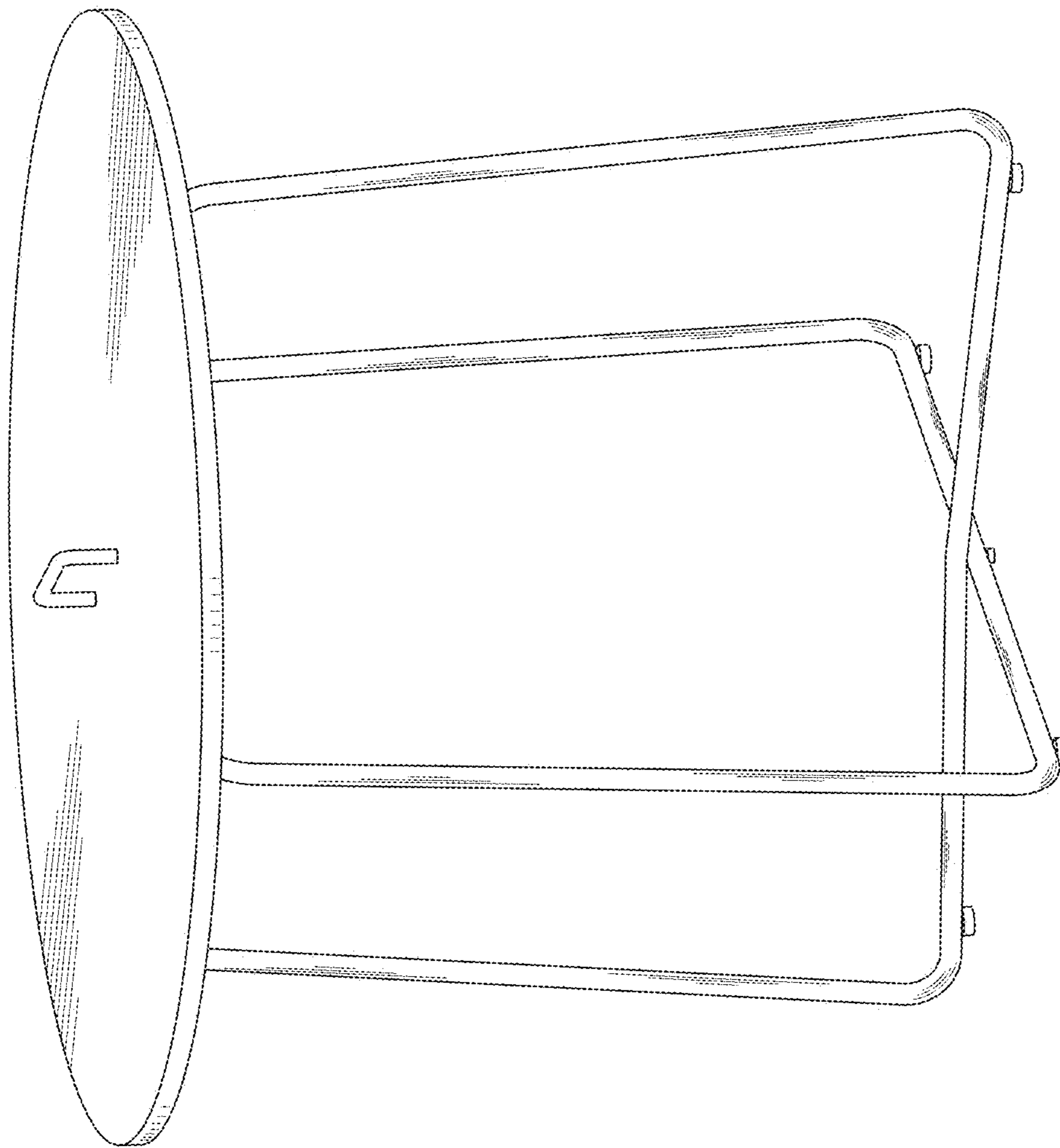


FIG. 7