



US00D934601S

(12) **United States Design Patent** (10) **Patent No.:** **US D934,601 S**  
**Skogen et al.** (45) **Date of Patent:** **\*\* Nov. 2, 2021**

(54) **STAND FOR MOUNTING COMPONENTS TO  
CREATE DECORATION**

(71) Applicants: **Todd W. Skogen**, Yorkville, IL (US);  
**Michael J. Skogen**, Yorkville, IL (US)

(72) Inventors: **Todd W. Skogen**, Yorkville, IL (US);  
**Michael J. Skogen**, Yorkville, IL (US)

(\*\*) Term: **15 Years**

(21) Appl. No.: **29/772,547**

(22) Filed: **Mar. 2, 2021**

(51) **LOC (13) Cl.** ..... **06-06**

(52) **U.S. Cl.**  
USPC ..... **D6/678.4**

(58) **Field of Classification Search**  
USPC ..... D6/672, 673, 678, 678.4, 682, 682.1,  
D6/682.5, 512, 513, 514  
CPC .. A47F 5/0006; A47F 5/08; A47F 5/00; A47F  
5/0018; A47F 5/01; A47F 5/10; A47F  
5/16

See application file for complete search history.

(56) **References Cited**

U.S. PATENT DOCUMENTS

- D168,445 S \* 12/1952 Gleed, Jr. .... D6/678.4
- 4,726,556 A \* 2/1988 Weir ..... A47B 27/18  
248/454
- D372,971 S \* 8/1996 Chescavage ..... D23/411
- D398,458 S \* 9/1998 Martell ..... D6/656.11
- D410,910 S \* 6/1999 Martell ..... D14/457
- D562,572 S \* 2/2008 Nothel ..... D6/310
- D562,590 S \* 2/2008 Colin ..... D6/678.4
- D596,187 S \* 7/2009 Martell ..... D14/447
- D600,482 S \* 9/2009 St. John ..... D6/552
- D635,797 S \* 4/2011 Xingyin ..... D6/656.11
- D752,908 S \* 4/2016 McGrath ..... D6/699.5
- D792,719 S \* 7/2017 Wortell ..... D6/526

- D864,619 S \* 10/2019 Hu ..... D6/655
- D872,518 S \* 1/2020 Robb ..... D7/368
- D878,815 S \* 3/2020 Peng ..... D6/656
- D898,489 S \* 10/2020 Dart ..... D6/678
- D898,748 S \* 10/2020 Ma ..... D14/447
- D904,416 S \* 12/2020 Xu ..... D14/447
- D905,483 S \* 12/2020 Ghiorghie ..... D6/678.4
- D916,531 S \* 4/2021 Failing ..... D6/656.11
- D921,643 S \* 6/2021 Jin ..... D14/447
- D926,489 S \* 8/2021 Sabounjian ..... D6/512

\* cited by examiner

*Primary Examiner* — Kelley A Donnelly

(74) *Attorney, Agent, or Firm* — Brie A. Crawford;  
Crawford Intellectual Property Law LLC

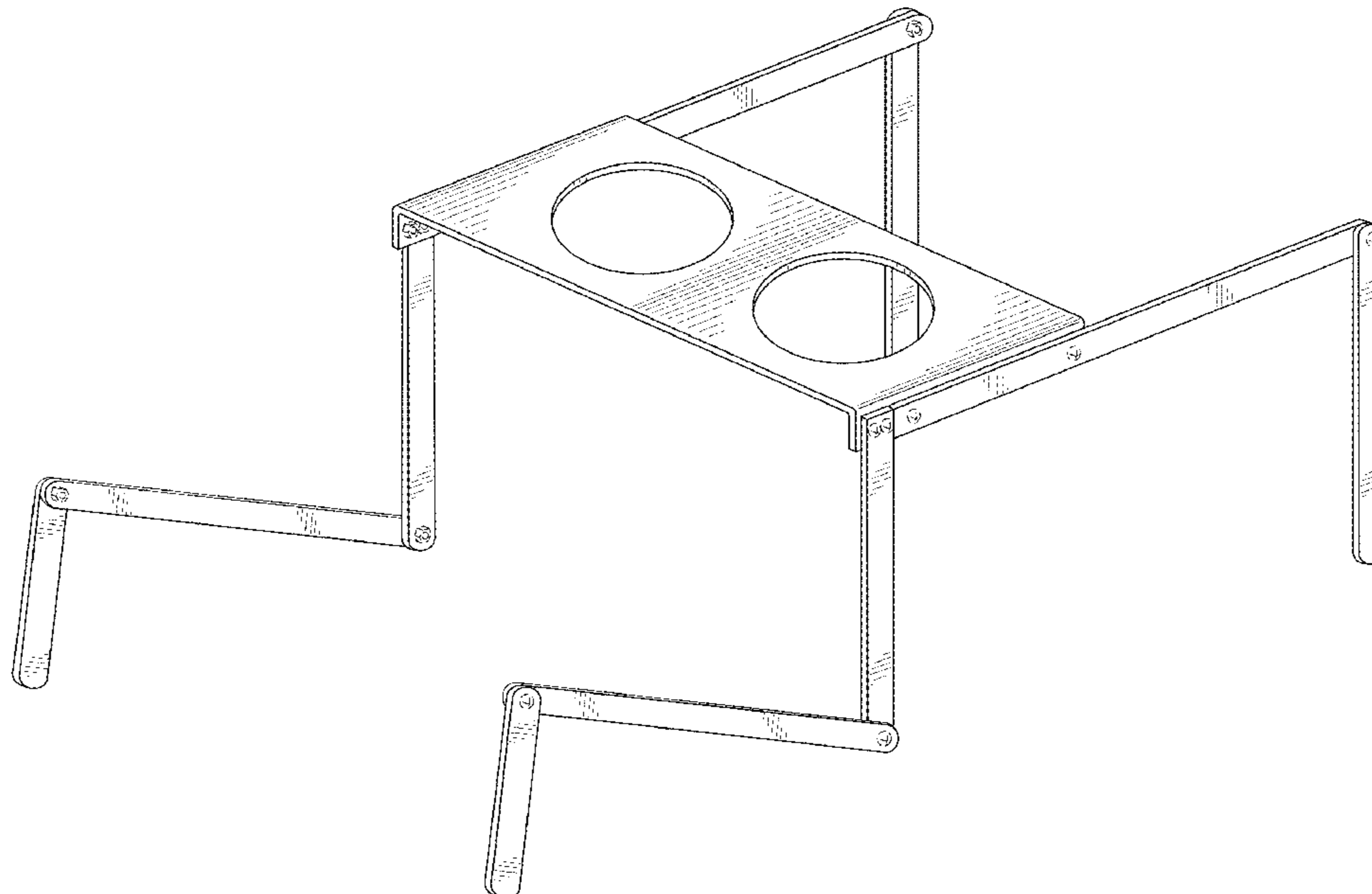
(57) **CLAIM**

The ornamental design for a stand for mounting components to create decoration, as shown and described.

**DESCRIPTION**

FIG. 1 is a perspective view of our design for a stand for mounting components to create decoration;  
 FIG. 2 is a front elevation view thereof;  
 FIG. 3 is a rear elevation view thereof;  
 FIG. 4 is a top plan view thereof;  
 FIG. 5 is a bottom plan view thereof;  
 FIG. 6 is a left side elevation view thereof;  
 FIG. 7 is a right side elevation view thereof; and,  
 FIG. 8 is a perspective view of the stand for mounting components to create decoration in use supporting a decoration with the stand for mounting components to create decoration covered by the decoration and the components of the decoration depicted in phantom.  
 The broken lines showing in FIGS. 1, 2, 3, 4, 5, 6, 7, and 8 are included for the purpose of illustrating environment and form no part of the claimed design.

**1 Claim, 7 Drawing Sheets**



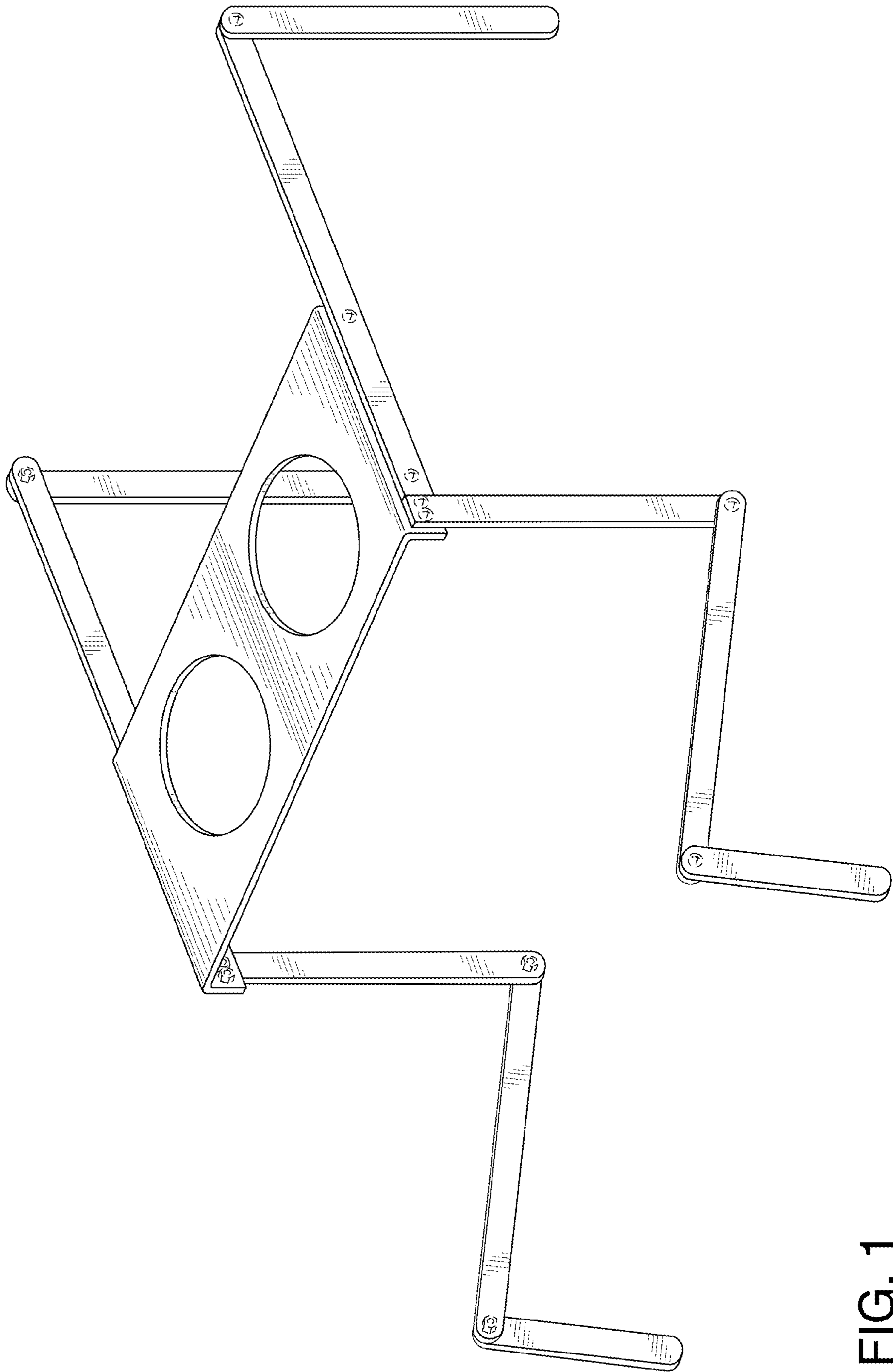


FIG. 1

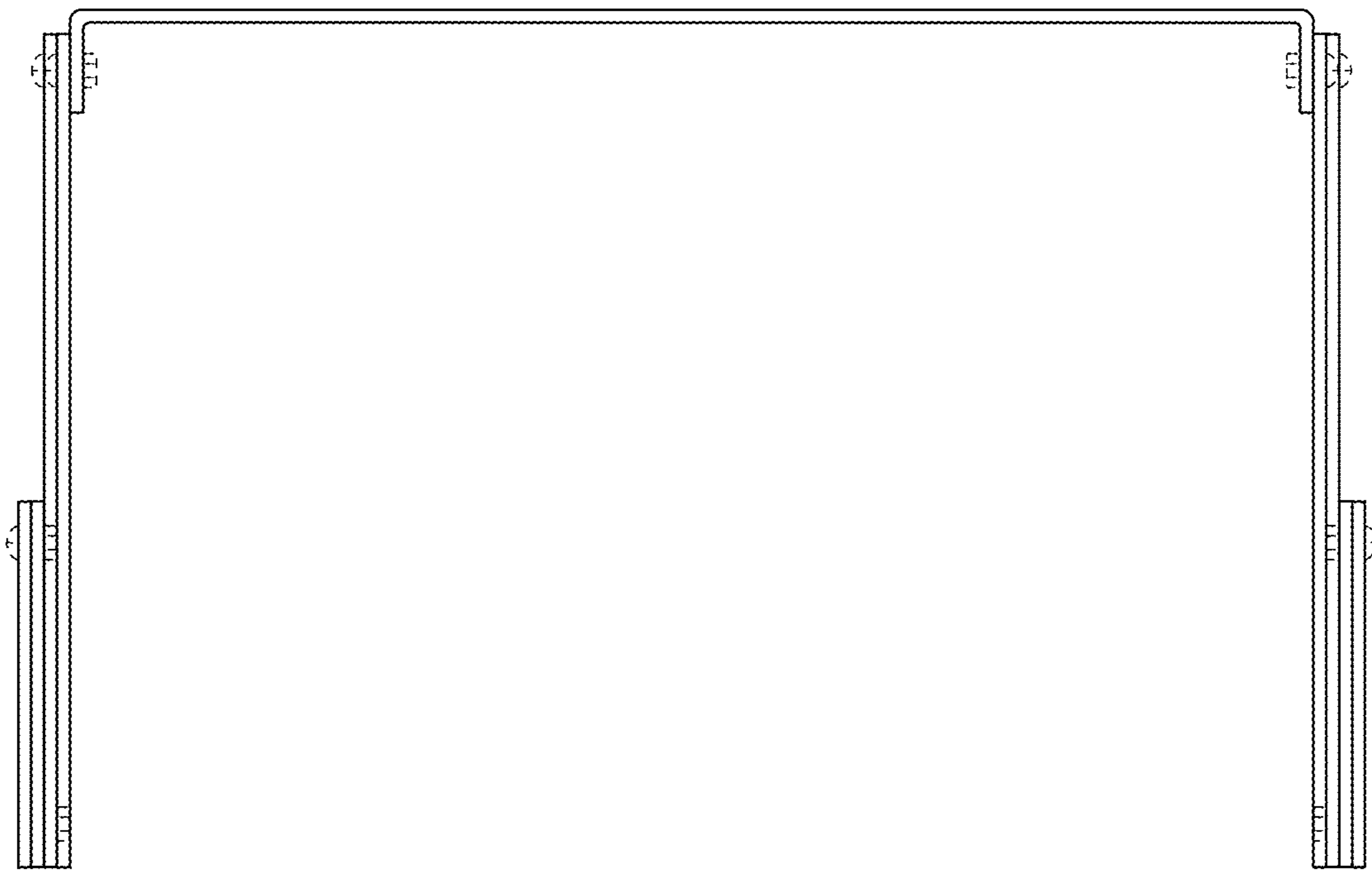


FIG. 2



FIG. 3

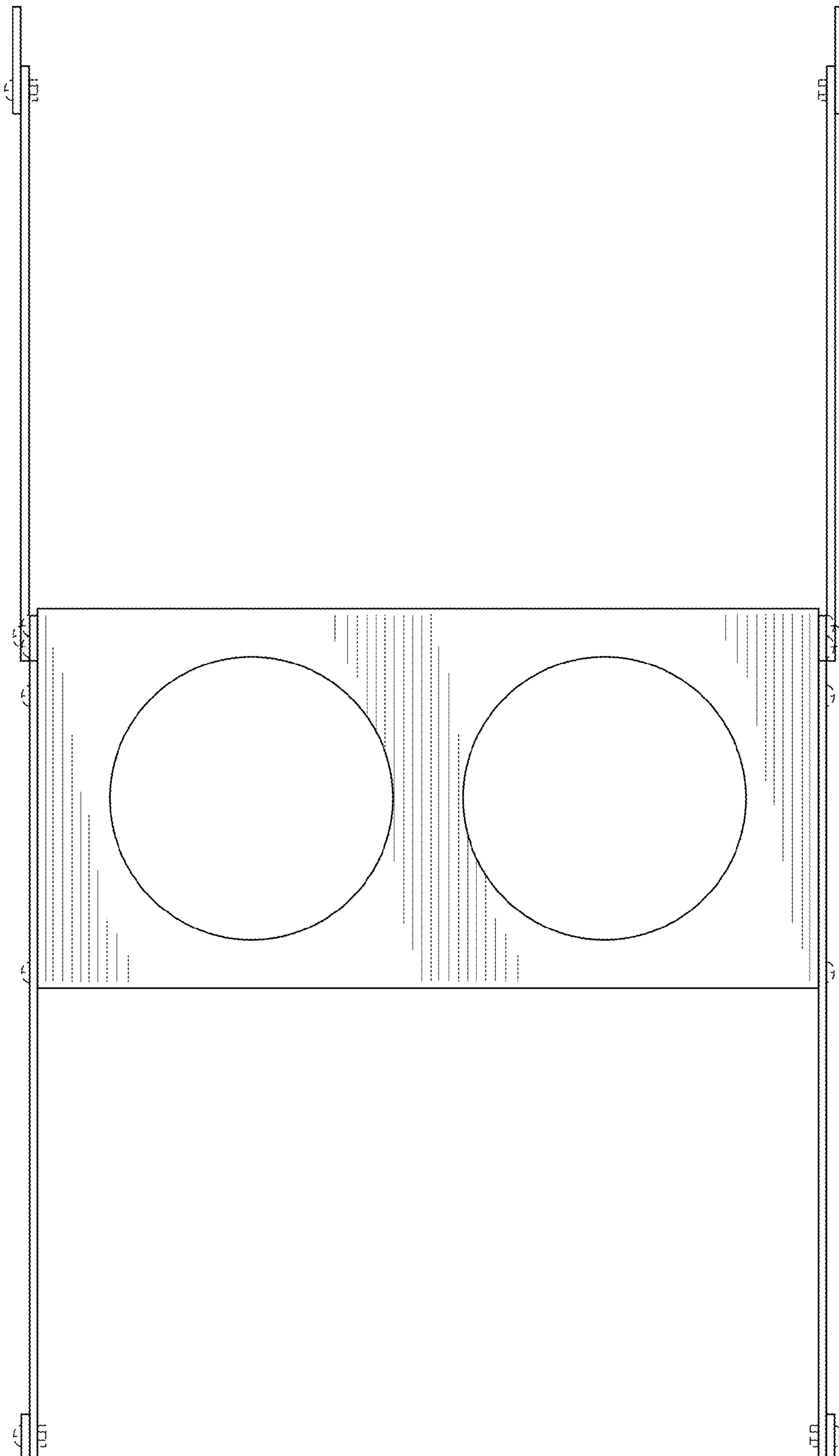


FIG. 4

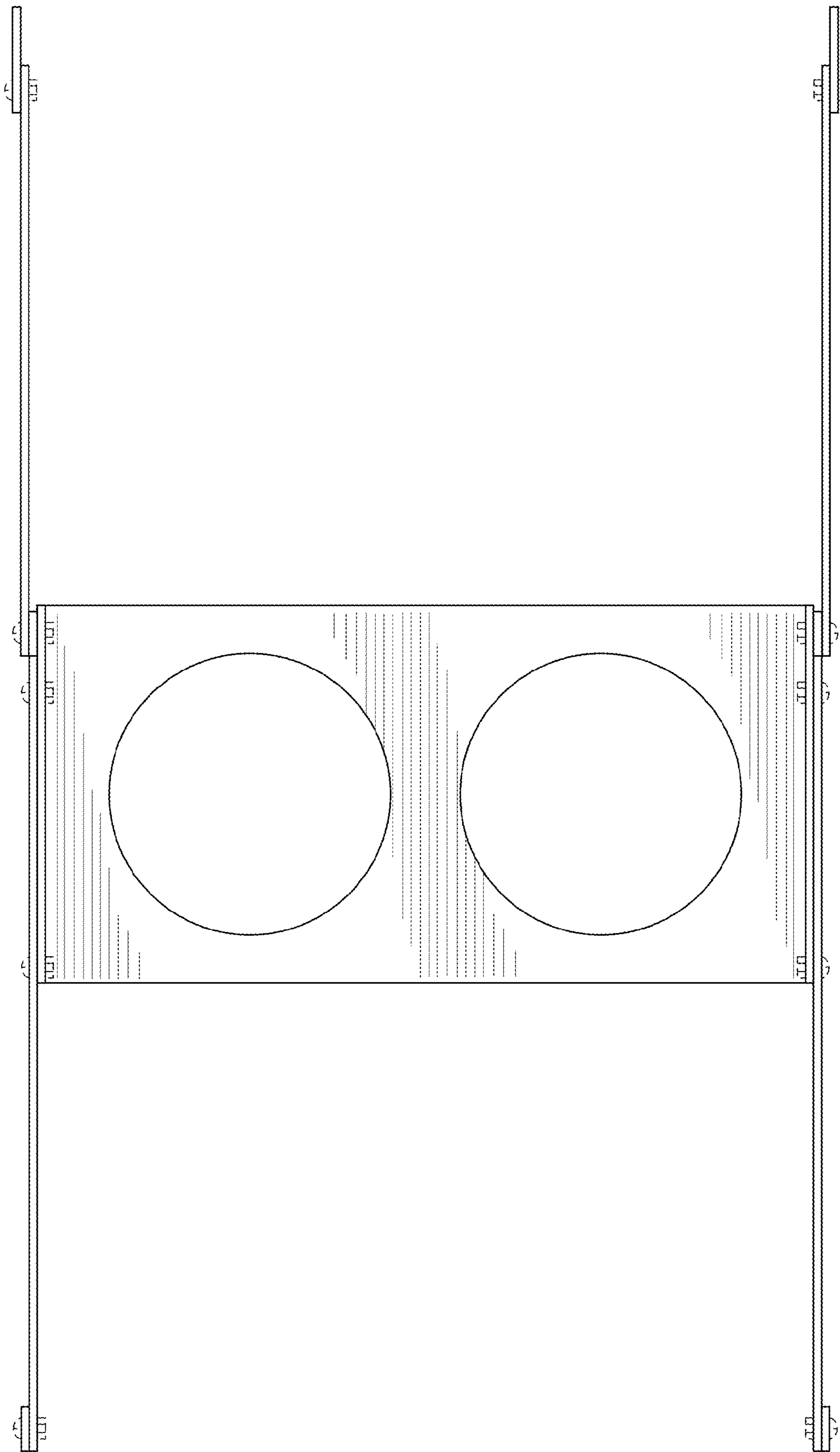


FIG. 5



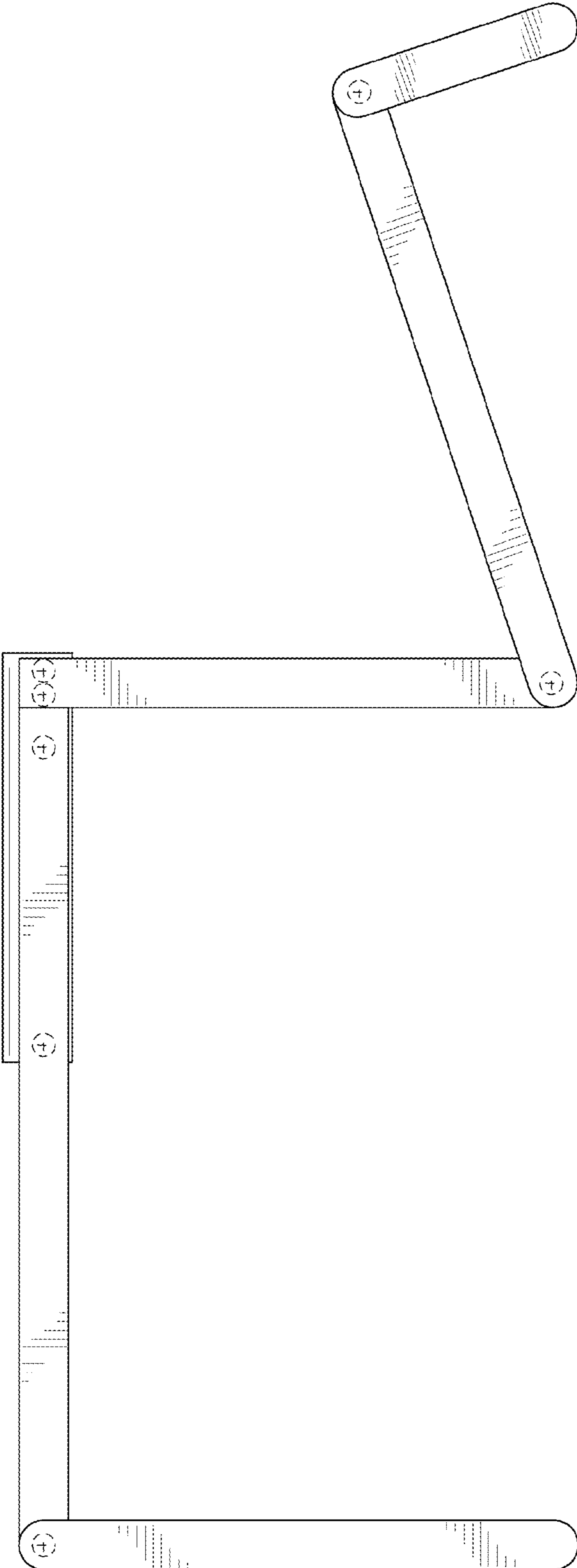


FIG. 6

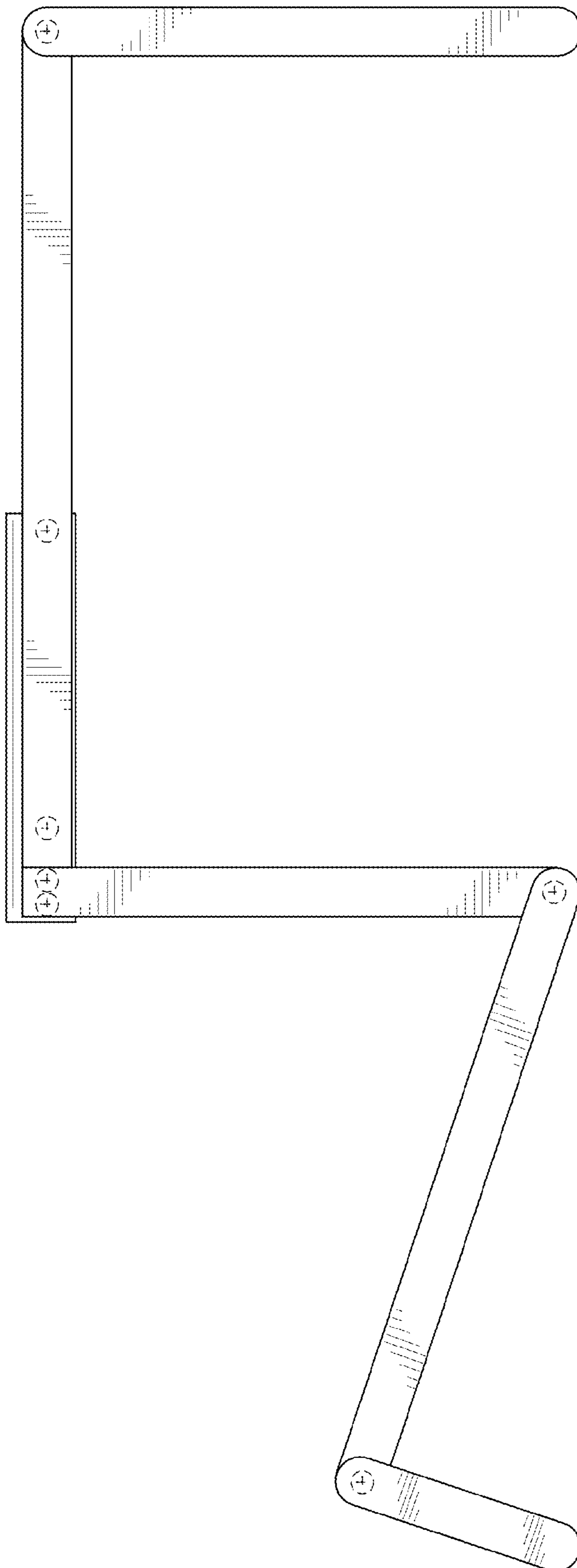


FIG. 7

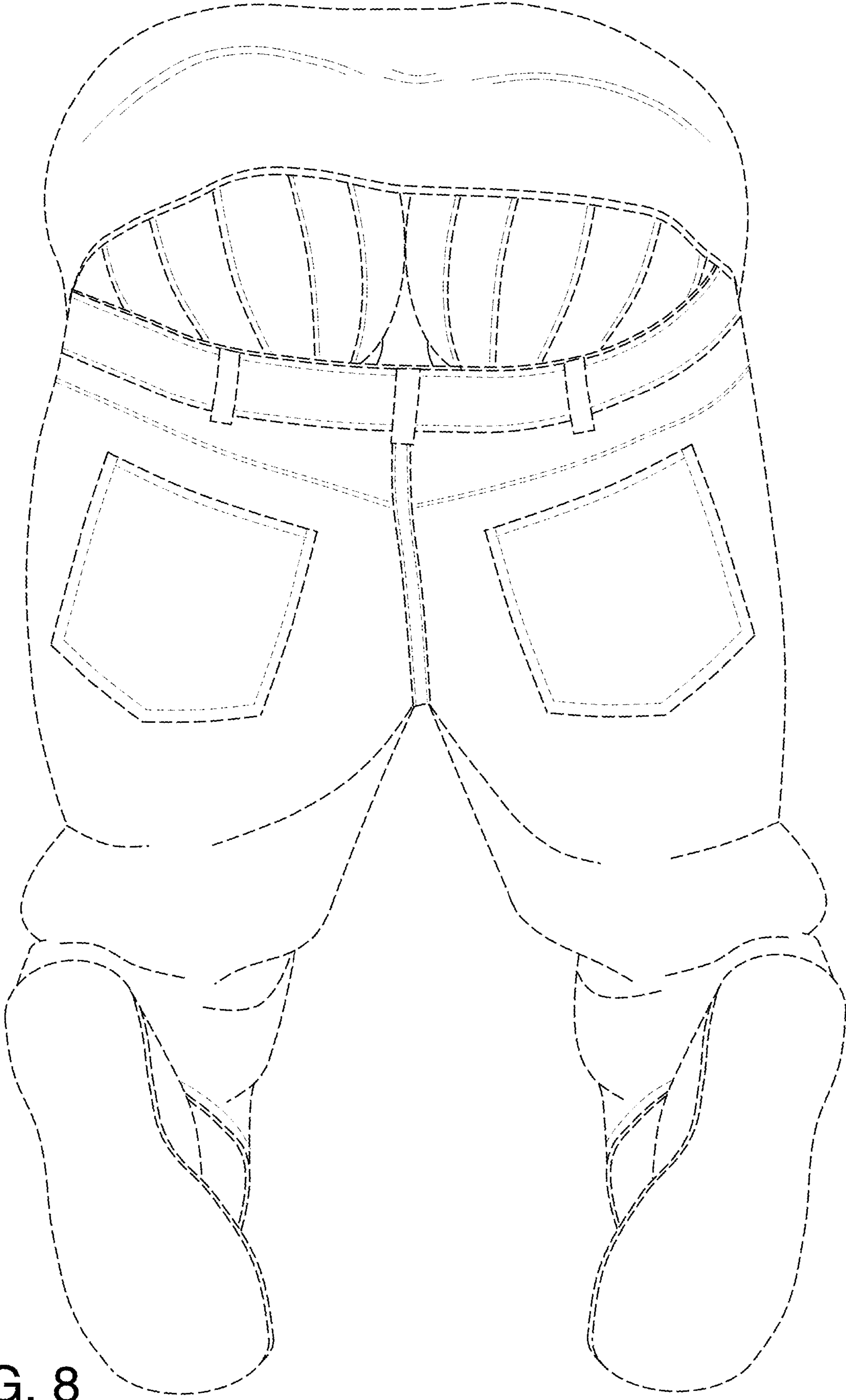


FIG. 8