



US00D934599S

(12) **United States Design Patent** (10) **Patent No.:** **US D934,599 S**  
**Tilly** (45) **Date of Patent:** **\*\* Nov. 2, 2021**

(54) **TOOL TROLLEY**  
(71) Applicant: **SW-Stahl GmbH**, Remscheid (DE)  
(72) Inventor: **Heinrich Tilly**, Brilon (DE)  
(73) Assignee: **SW-Stahl GmbH**, Remscheid (DE)  
(\*\*) Term: **15 Years**  
(21) Appl. No.: **29/714,521**  
(22) Filed: **Nov. 24, 2019**

(30) **Foreign Application Priority Data**

Jun. 5, 2019 (EM) ..... 006564266-0001

(51) **LOC (13) Cl.** ..... **06-04**

(52) **U.S. Cl.**  
USPC ..... **D6/671.1**

(58) **Field of Classification Search**  
USPC ..... D3/279; D6/657, 663, 671, 671.1;  
D34/20, 21, 27

CPC .. B62B 3/02; B62B 3/002; B25H 1/14; B25H  
1/20

See application file for complete search history.

(56) **References Cited**

**U.S. PATENT DOCUMENTS**

D423,818 S \* 5/2000 Holcomb ..... D34/21  
D470,687 S \* 2/2003 Binse ..... D6/657  
D482,173 S \* 11/2003 Van Landingham, Jr. .... D34/27  
D665,597 S \* 8/2012 Dufoure ..... D34/20  
8,851,585 B2 \* 10/2014 Chang ..... A47B 81/00  
312/263  
D732,858 S \* 6/2015 Troyner ..... D6/671.1  
D734,069 S \* 7/2015 Zhao ..... D6/671.1  
D866,181 S \* 11/2019 Flamand ..... D3/279  
2007/0063624 A1 \* 3/2007 Liao ..... B25H 3/04  
312/282  
2020/0171646 A1 \* 6/2020 Liu ..... B25H 1/12

**OTHER PUBLICATIONS**

“SW Stahl—Tool Trolley—Design Development.” Found online Sep. 11, 2021 at www.squareonegmbh.com. Page archived Oct. 19,

2020. Retrieved from URL: https://web.archive.org/web/20201019234826/https://squareonegmbh.de/en/projects/sw-stahl-werkstattwagen (Year: 2020).\*  
“Keter Rolling Tool Chest with Storage Drawers.” Found online Sep. 11, 2021 at www.amazon.com. Product first available Aug. 10, 2018. Retrieved from URL: https://www.amazon.com/Keter-240762-Drawer-Modular-Organizer/dp/B07GCK635W/ref=sr\_1\_4?dchild=1&keywords=tool+drawers&qid=1631404350&sr=8-4 (Year: 2018).\*  
“Seville Classics Rolling Lockable Cabinet.” Found online Sep. 11, 2021 at www.amazon.com. Product first available Apr. 25, 2011. Retrieved from URL: https://www.amazon.com/Seville-Classics-UltraHD-6-Drawer-Rolling/dp/B0072IFCCO/ref=sr\_1\_10?dchild=1&keywords=rolling+tool+chest&qid=1631404374&sr=8-10 (Year: 2011).\*  
“TANKSTORM Tool Chest.” Found online Sep. 11, 2021 at www.amazon.com. Product first available Jul. 30, 2017. Retrieved from URL: https://www.amazon.com/TANKSTORM-Chest-Rolling-Drawer-TZ37-BK/dp/B07R4K3PH5/ref=sr\_1\_11?dchild=1&keywords=rolling+tool+chest&qid=1631404374&sr=8-11 (Year: 2017).\*

\* cited by examiner

*Primary Examiner* — Mary Ann Calabrese  
*Assistant Examiner* — Katelin G Kloberg  
(74) *Attorney, Agent, or Firm* — Michael Soderman

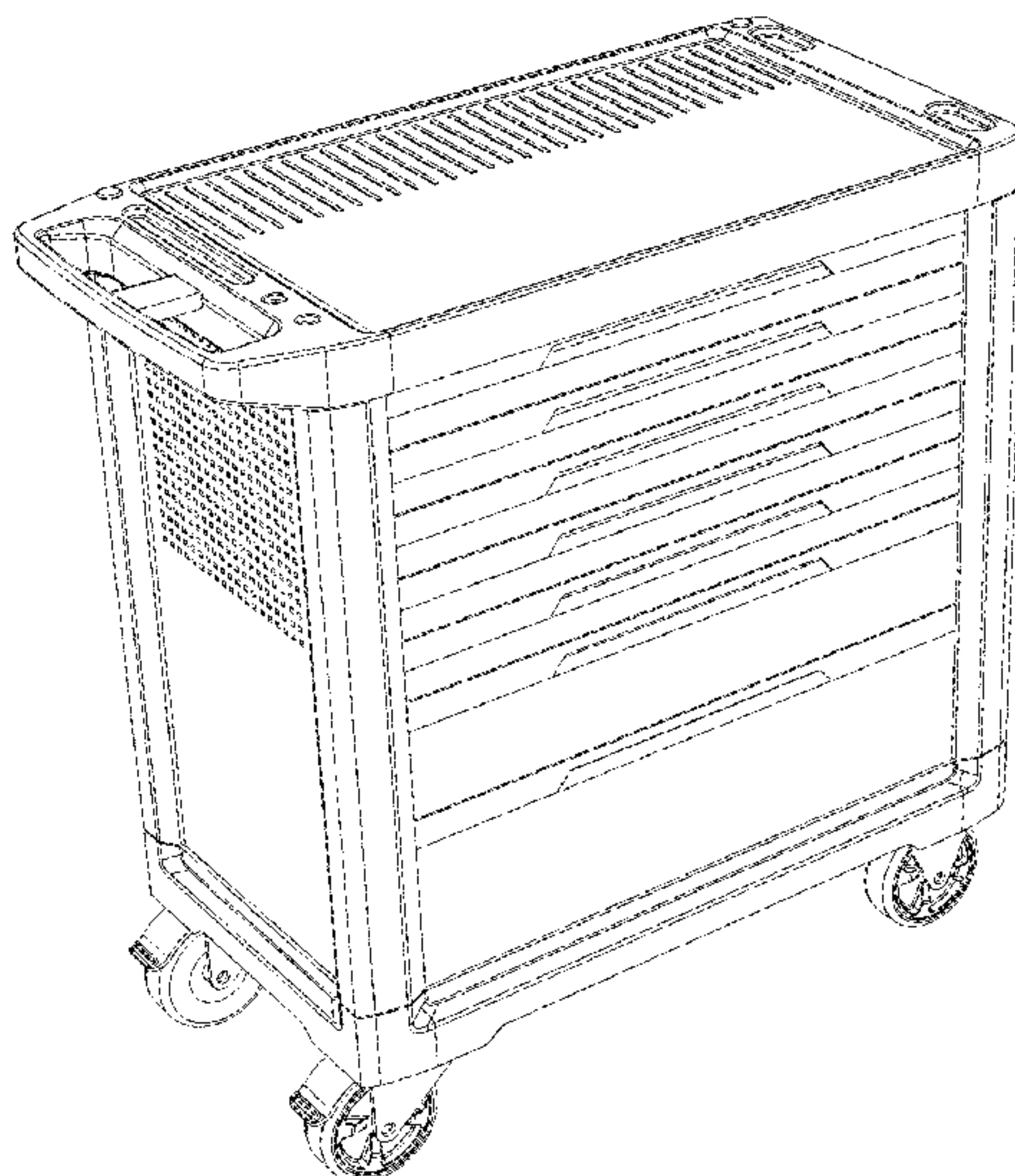
(57) **CLAIM**

The ornamental design for a tool trolley, as shown.

**DESCRIPTION**

FIG. 1 is a right side elevation view of a tool trolley, showing my new design;  
FIG. 2 is a left side elevation view thereof;  
FIG. 3 is a top plan view thereof;  
FIG. 4 is a bottom plan view thereof;  
FIG. 5 is a rear elevation view thereof;  
FIG. 6 is a front elevation view thereof; and,  
FIG. 7 is a top, rear, right side perspective view thereof.

**1 Claim, 7 Drawing Sheets**



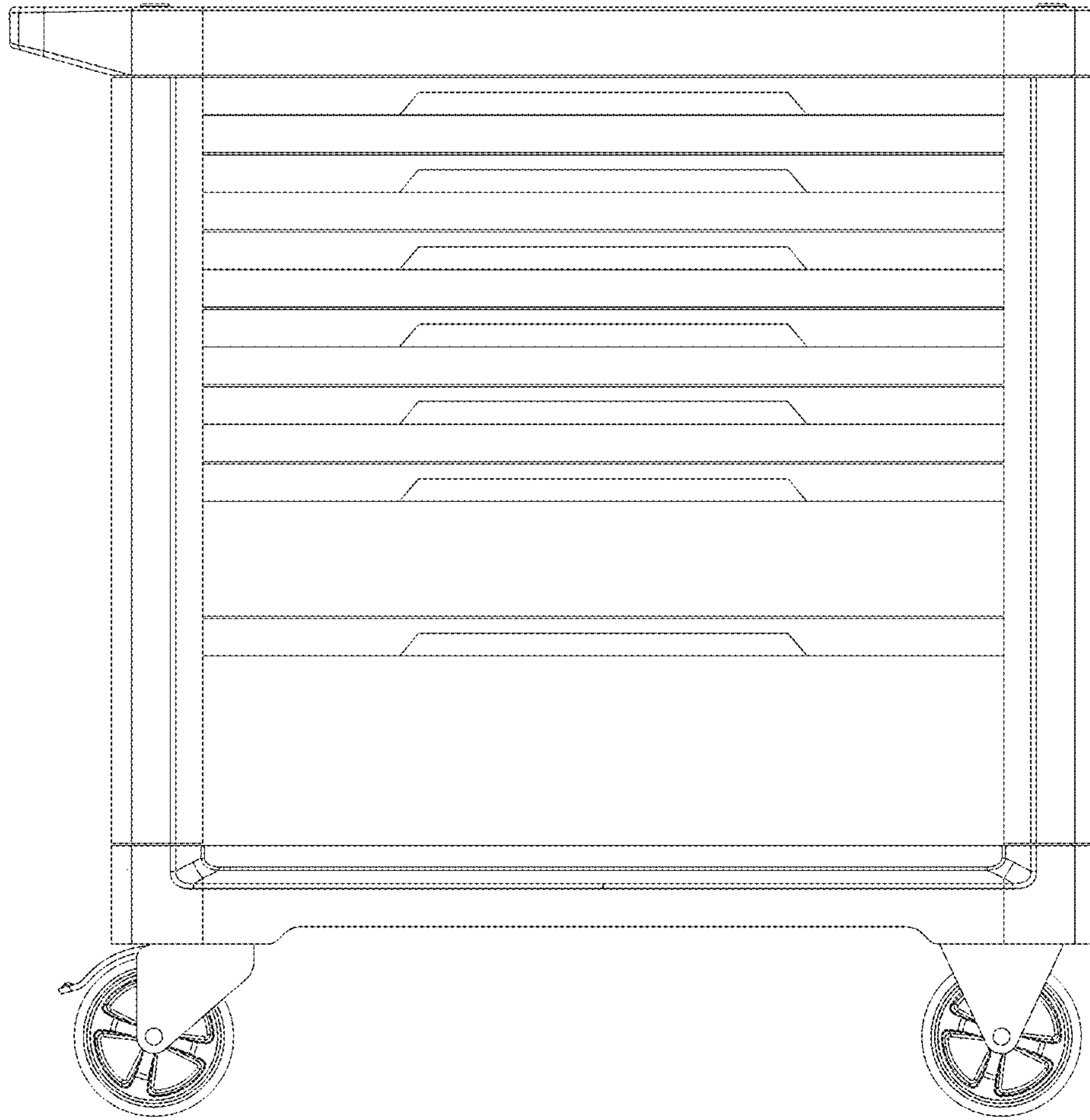


Fig. 1

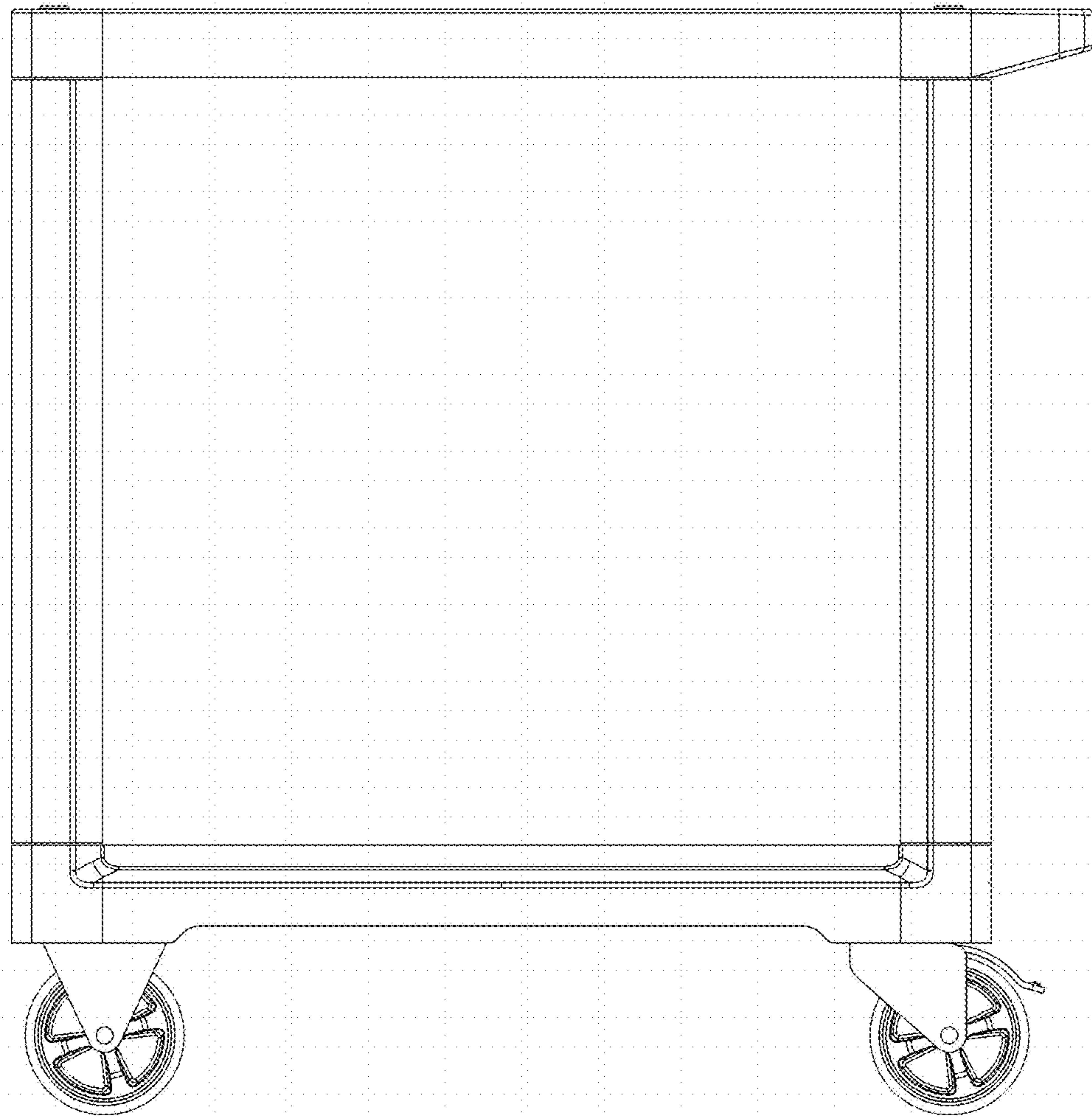


Fig. 2

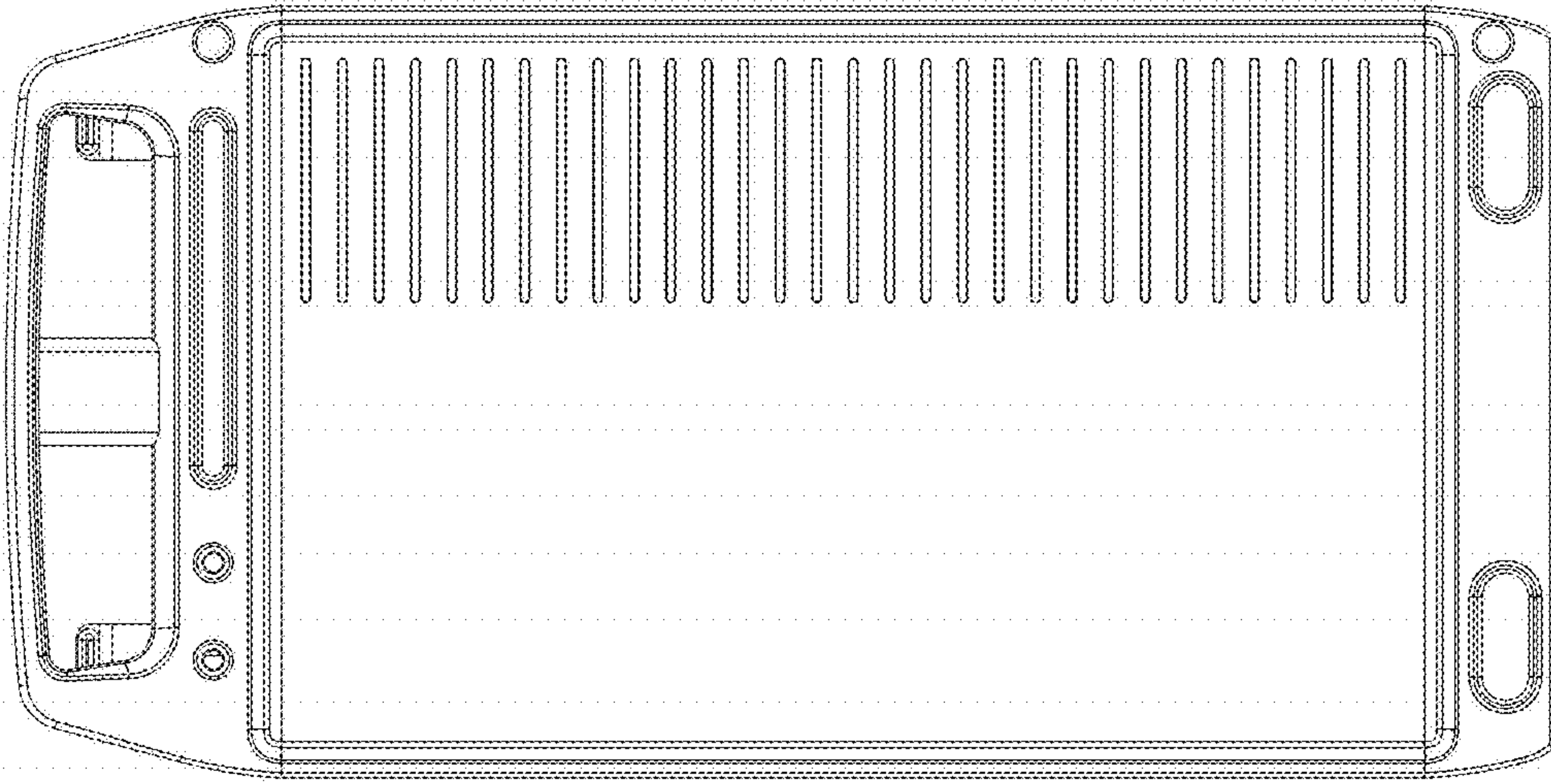


Fig. 3



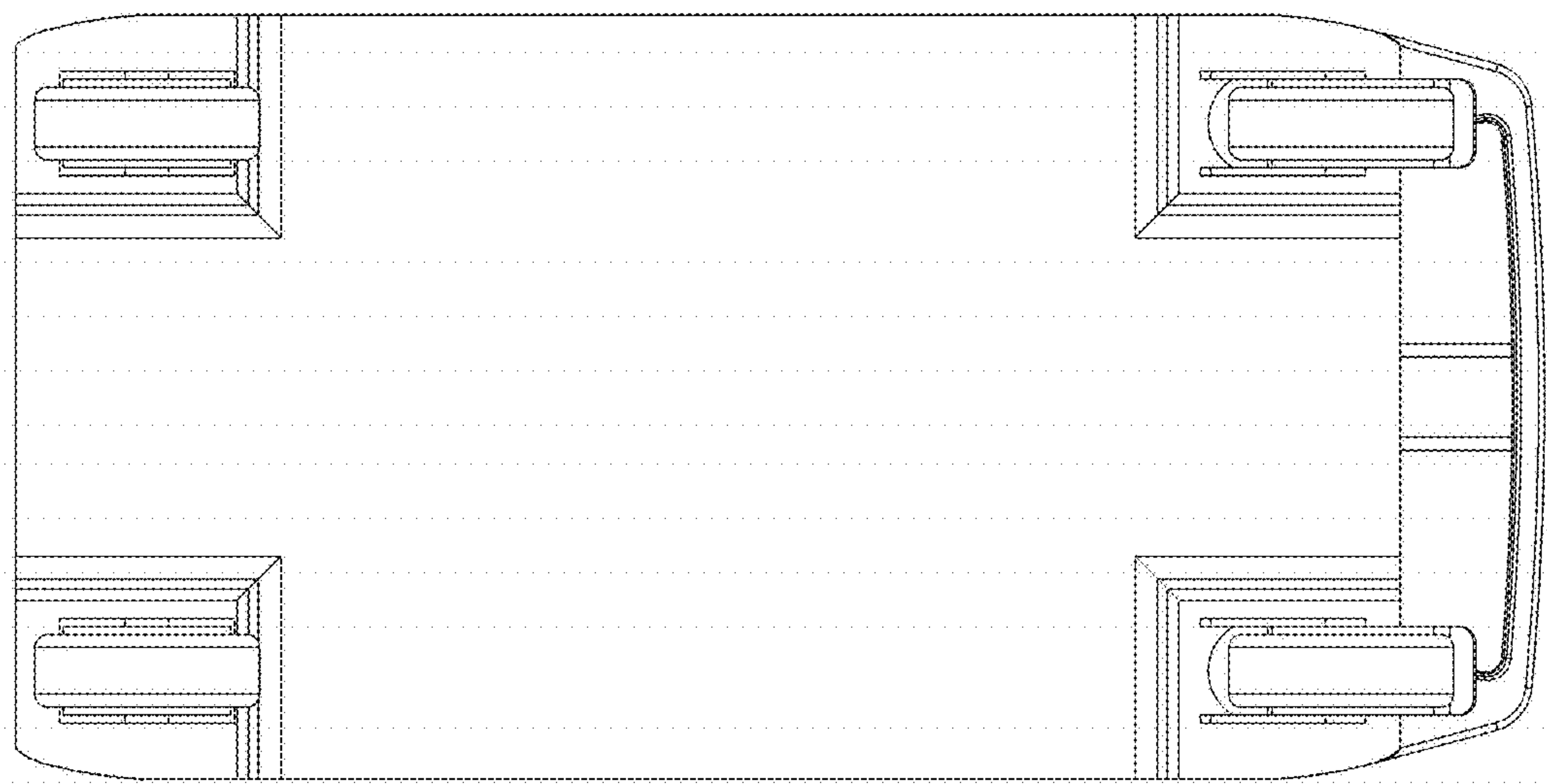


Fig. 4

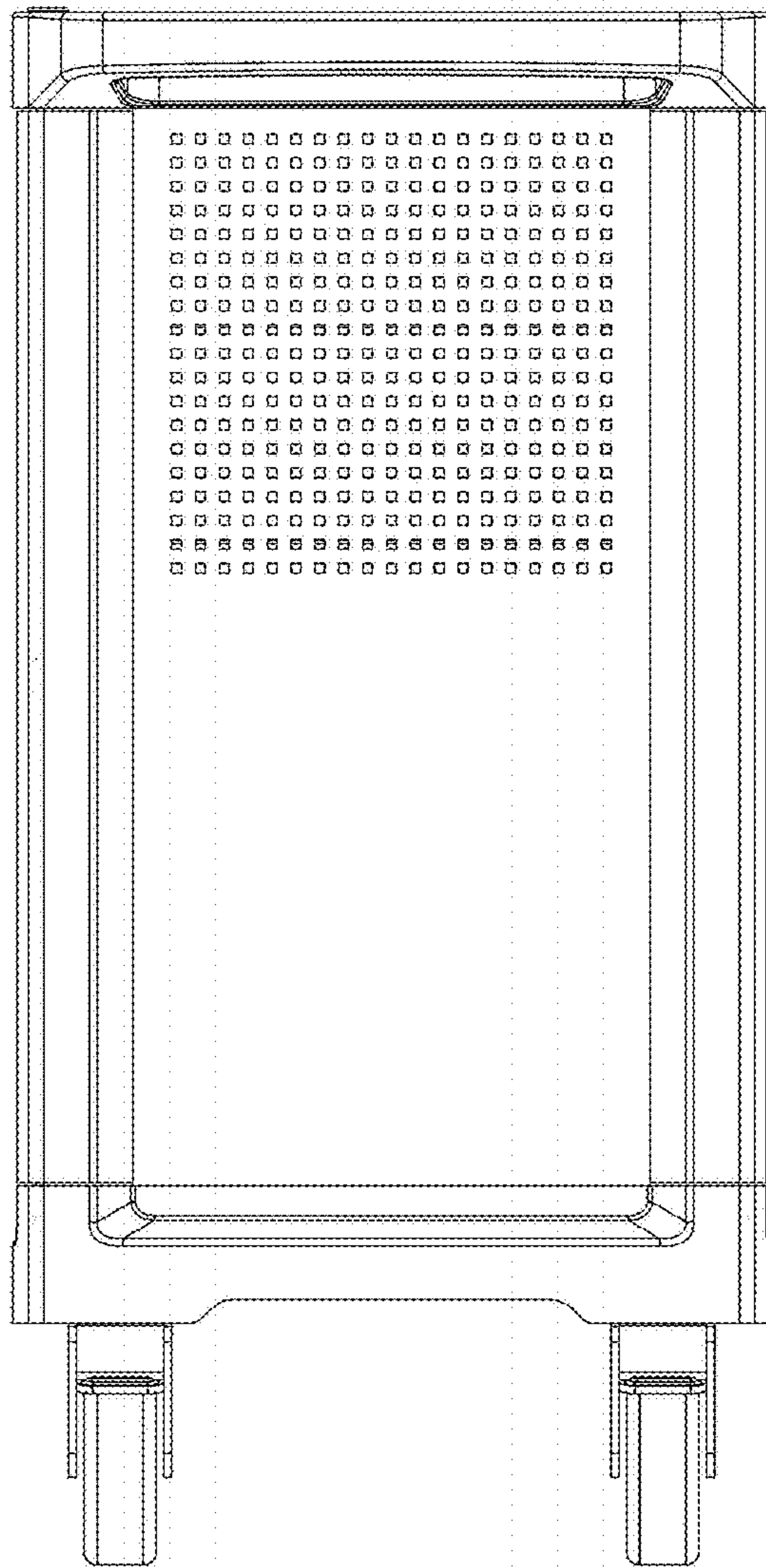


Fig. 5

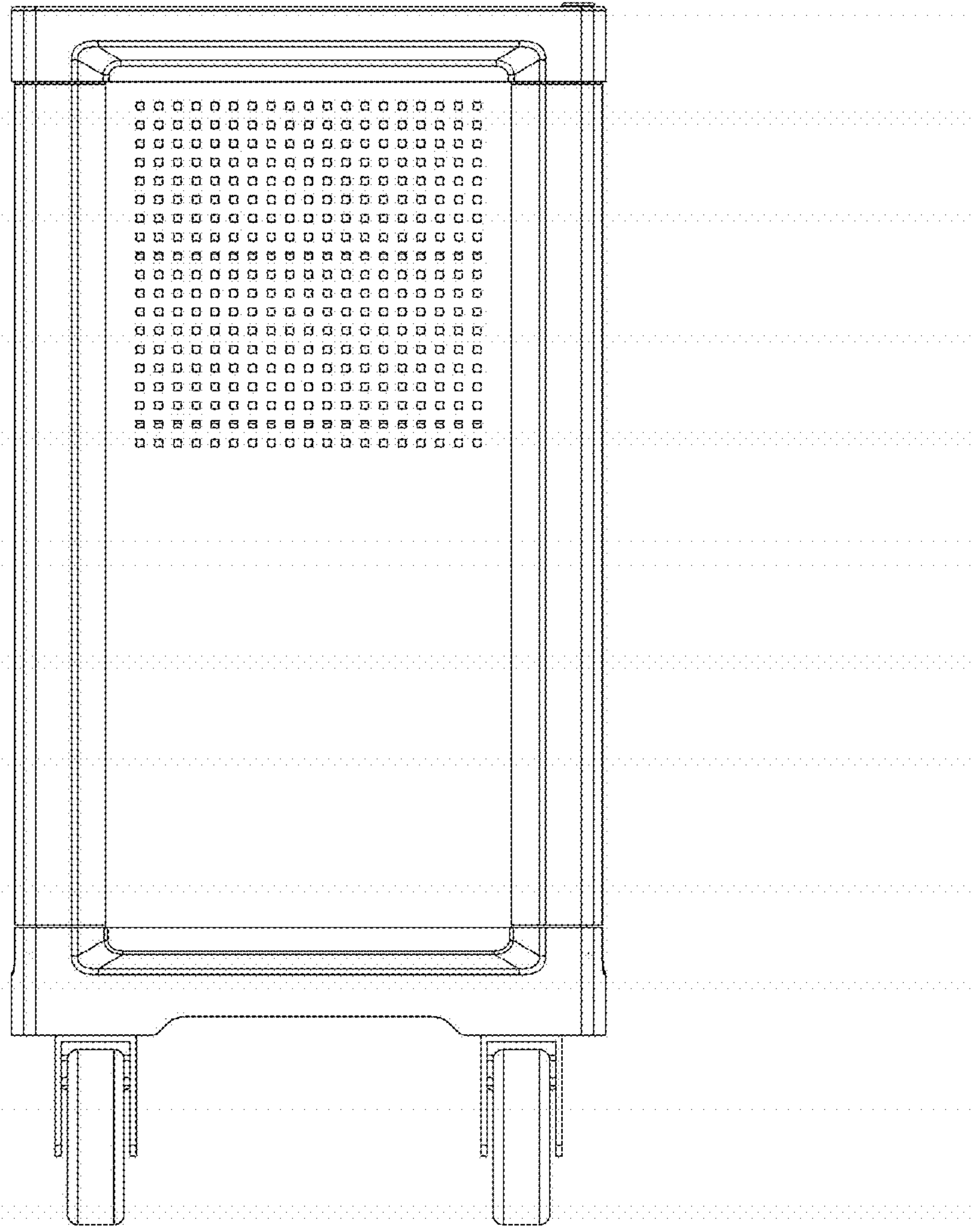


Fig. 6

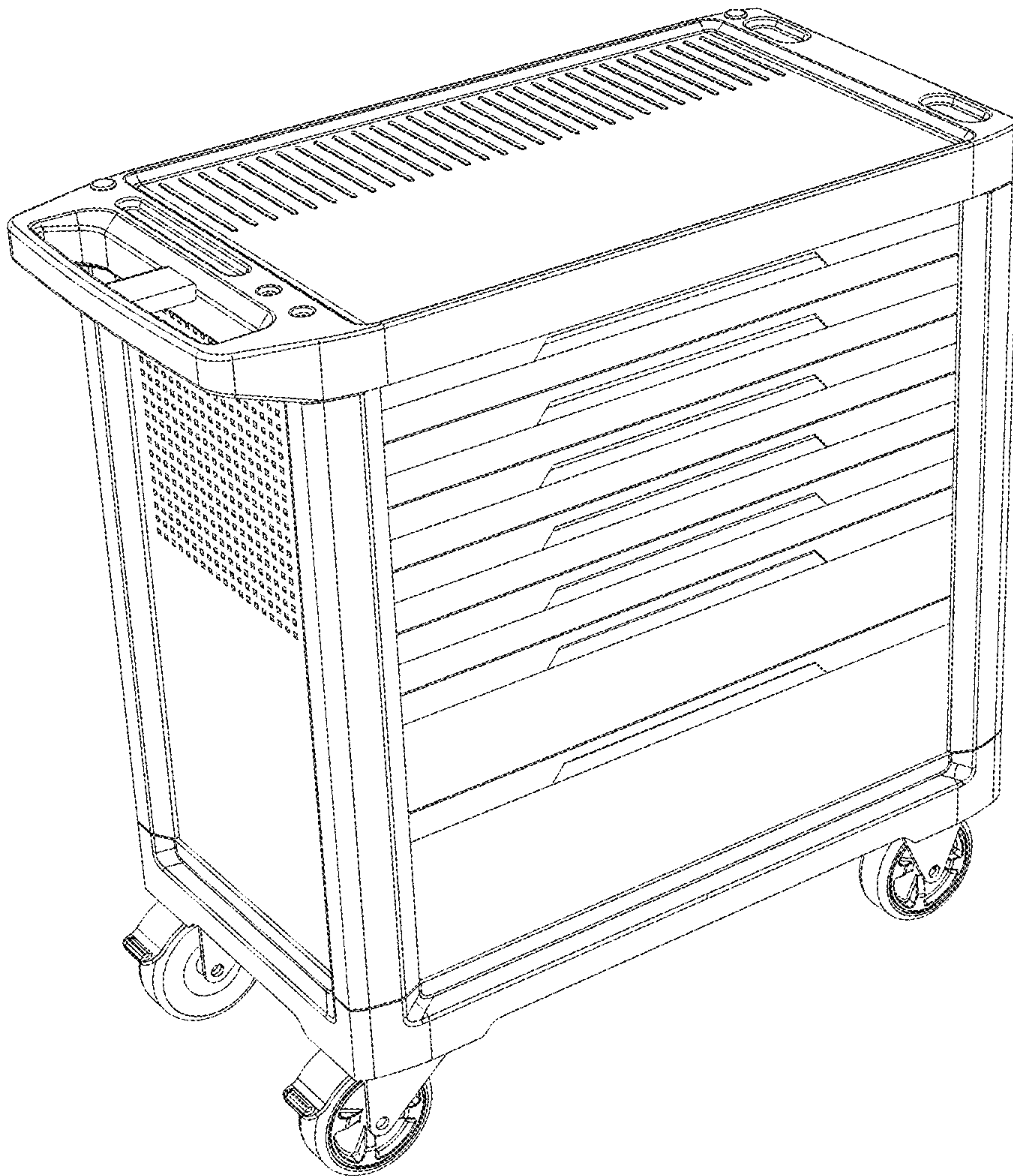


Fig. 7