



US00D934596S

(12) **United States Design Patent** (10) **Patent No.:** **US D934,596 S**
May (45) **Date of Patent:** **** Nov. 2, 2021**

(54) **CABINET**

(71) Applicant: **Joyce Ann May**, Barnegat, NJ (US)

(72) Inventor: **Joyce Ann May**, Barnegat, NJ (US)

(**) Term: **15 Years**

(21) Appl. No.: **29/701,016**

(22) Filed: **Aug. 7, 2019**

(51) **LOC (13) Cl.** **06-04**

(52) **U.S. Cl.**
USPC **D6/661**

(58) **Field of Classification Search**
USPC D6/657, 659, 661, 663, 671, 672, 675
CPC A47F 3/00; A47F 3/005; A47F 3/0404;
A47F 3/0434; A47F 7/28; A47B 69/00;
A47B 46/00; A47B 67/02; A47B 73/00
See application file for complete search history.

(56) **References Cited**

U.S. PATENT DOCUMENTS

1,903,484	A *	4/1933	Smetko	A47F 3/00 312/139
D126,206	S *	4/1941	Johnson	D6/661
D126,208	S *	4/1941	Johnson	D6/661
D267,379	S *	12/1982	Winter	D6/661
D304,271	S *	10/1989	Johnson	D6/661
D444,006	S *	6/2001	Lucht	D6/661
D541,080	S *	4/2007	Thompson	D6/661
D564,788	S *	3/2008	Giles	D6/661
D666,433	S *	9/2012	Williams	D6/661
D861,385	S *	10/2019	Gorman	D6/661

OTHER PUBLICATIONS

“Antique Glass Mahogany Display Cabinet.” Found online Aug. 10, 2021 at www.shpock.com. Item listed Apr. 27, 2018. Retrieved from

URL: https://www.shpock.com/en-gb/i/WuOKfU_2Mhc3Z-mz/antique-glass-mahogany-display-cabinet (Year: 2018).*
“Vitro III—FLOATGLAS klar by Dreieck Design.” Found online Aug. 10, 2021 at www.architonic.com. Product launched 2006. Retrieved from URL: <https://www.architonic.com/en/product/dreieck-design-vitro-iii-floatglas-klar/1370378> (Year: 2006).*
“Oak Library Cabinet with Glass Fold Down Doors.” Found online Aug. 10, 2021 at www.bid.houseauctioncomany.com. Page dated Feb. 17, 2015. Retrieved from URL: <https://bid.houseauctioncompany.com/lot-details/index/catalog/6670/lot/773215> (Year: 2015).*
“A 1950s Eastham Kitchen Cabinet.” Found online Aug. 10, 2021 at www.the-saleroom.com. Auction date Feb. 18, 2016. Retrieved from URL: <https://www.the-saleroom.com/en-gb/auction-catalogues/crows-auction-gallery/catalogue-id-srcro10075/lot-bdc179c7-07a3-4929-a3c5-a5b000ec78fd#lotDe> (Year: 2016).*

* cited by examiner

Primary Examiner — Mary Ann Calabrese
Assistant Examiner — Katelin G Kloberg
(74) *Attorney, Agent, or Firm* — Scott H. Kaliko, Esq.;
Kaliko & Associates, LLC

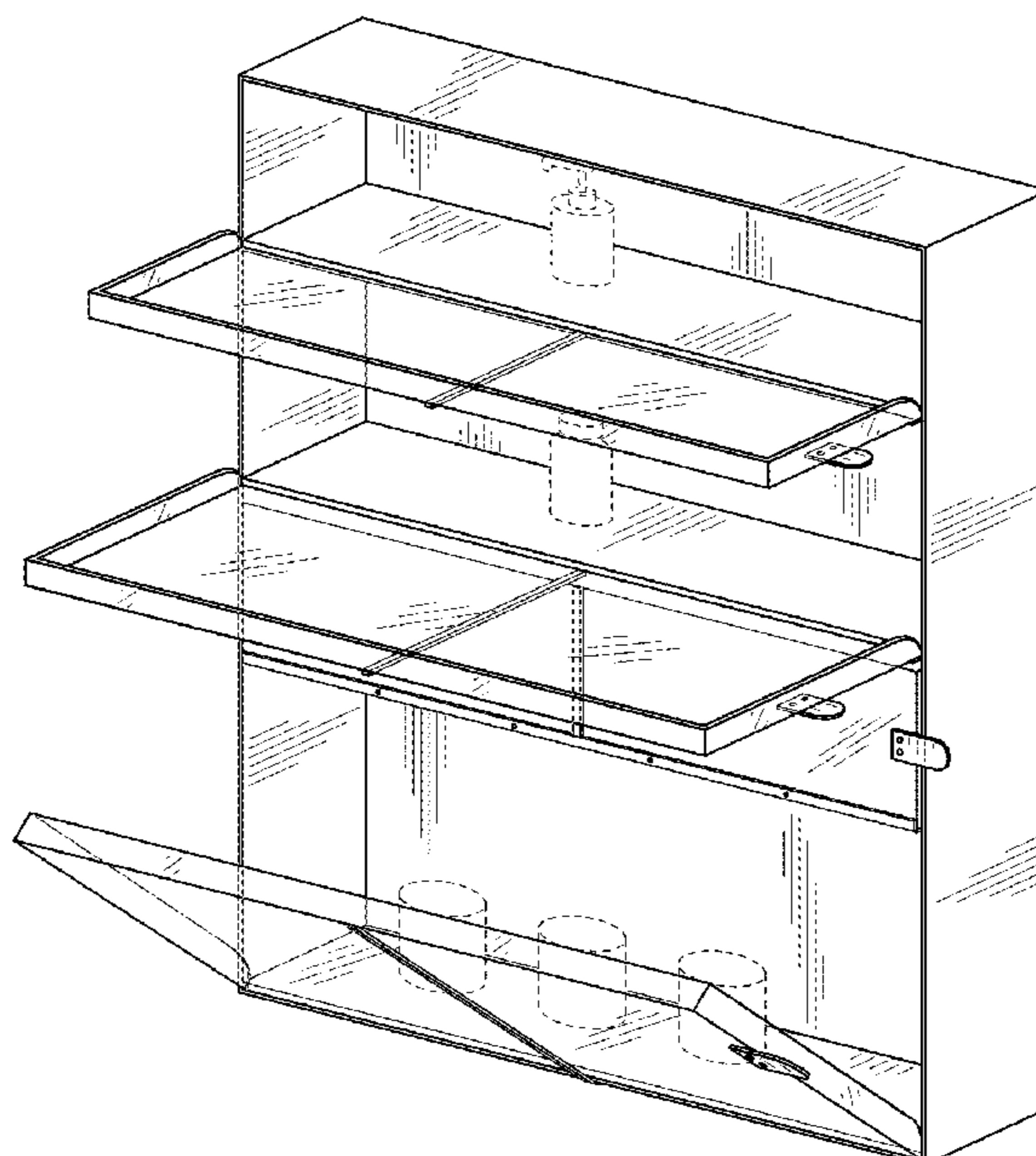
(57) **CLAIM**

The ornamental design for a cabinet, as shown and described.

DESCRIPTION

FIG. 1 is a front perspective view of a cabinet, showing my new design;
FIG. 2 is a front elevation view thereof;
FIG. 3 is a rear elevation view thereof;
FIG. 4 is a right side elevation view thereof;
FIG. 5 is a left side elevation view thereof;
FIG. 6 is a top plan view thereof; and,
FIG. 7 is a bottom plan view thereof.
The broken lines depict environmental subject matter that forms no part of the claimed design.

1 Claim, 5 Drawing Sheets



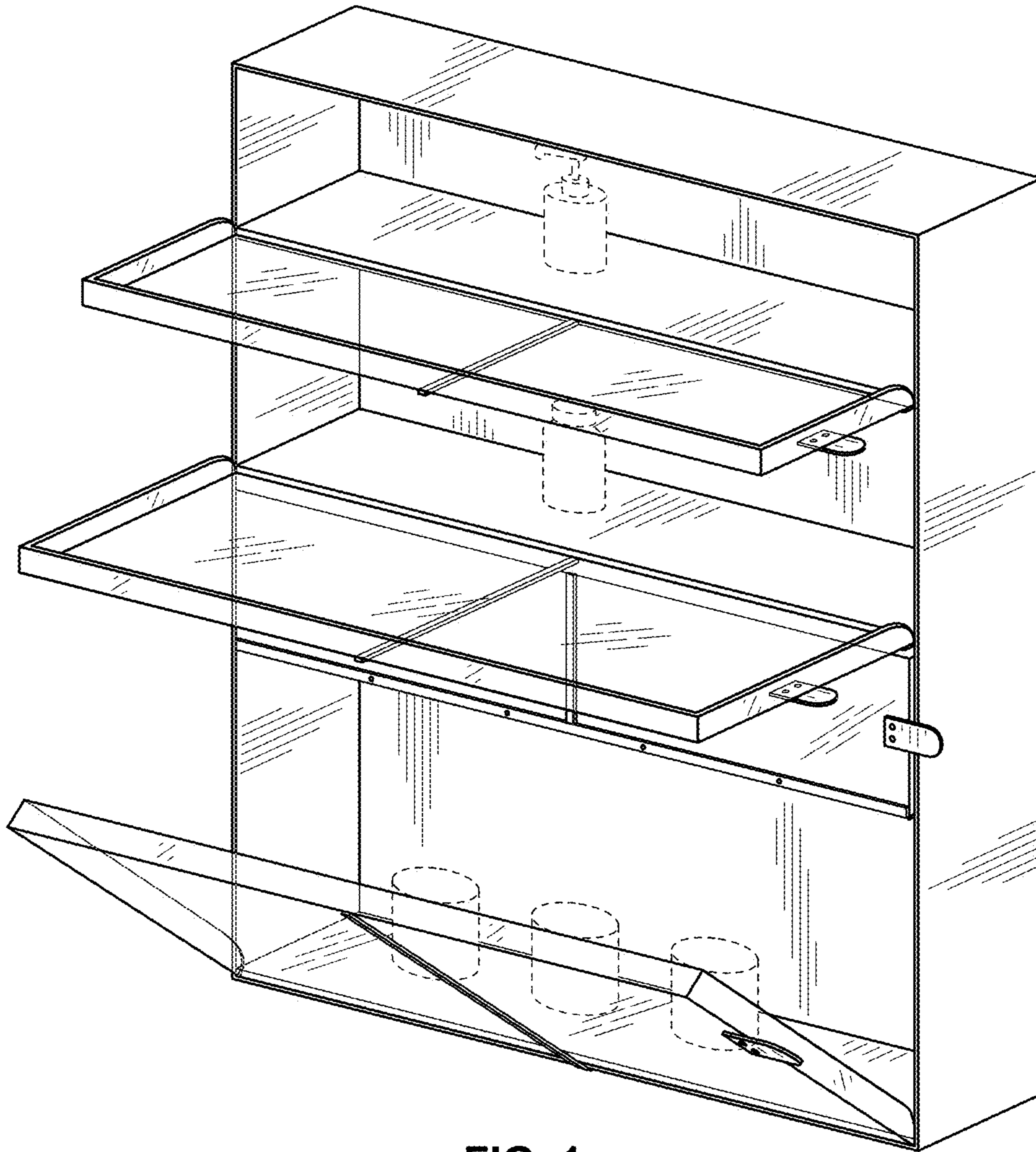


FIG. 1

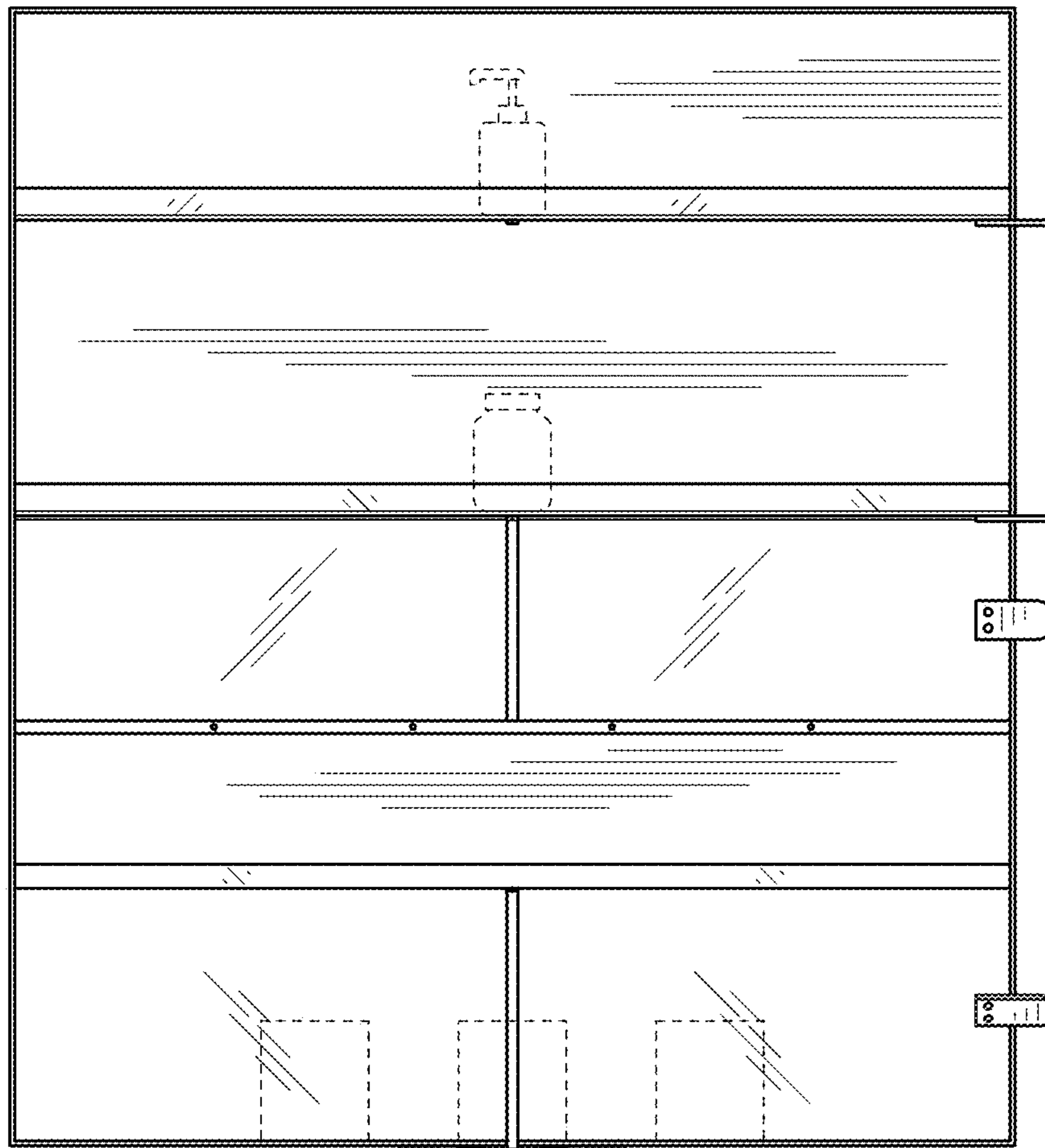


FIG. 2

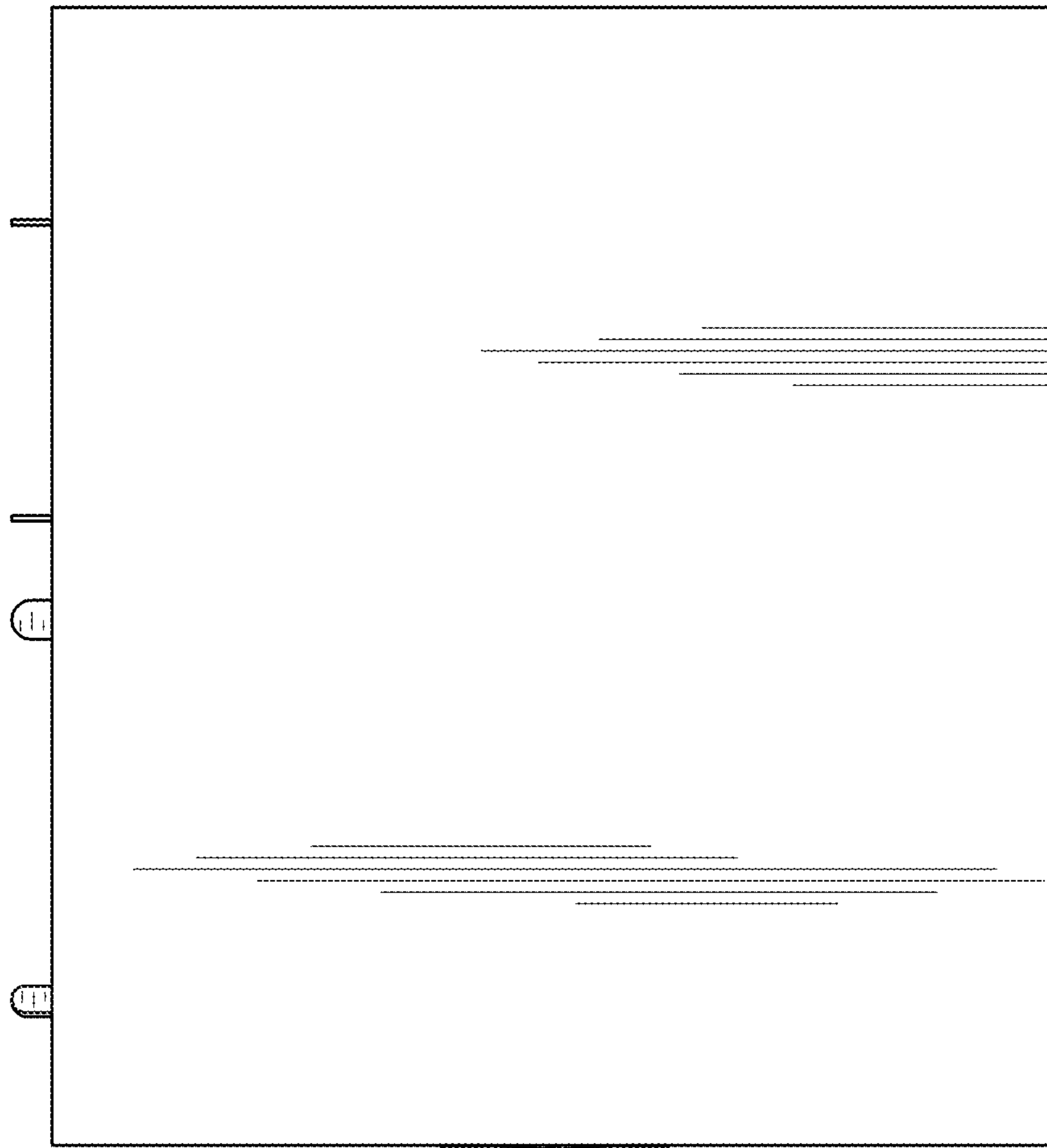


FIG. 3

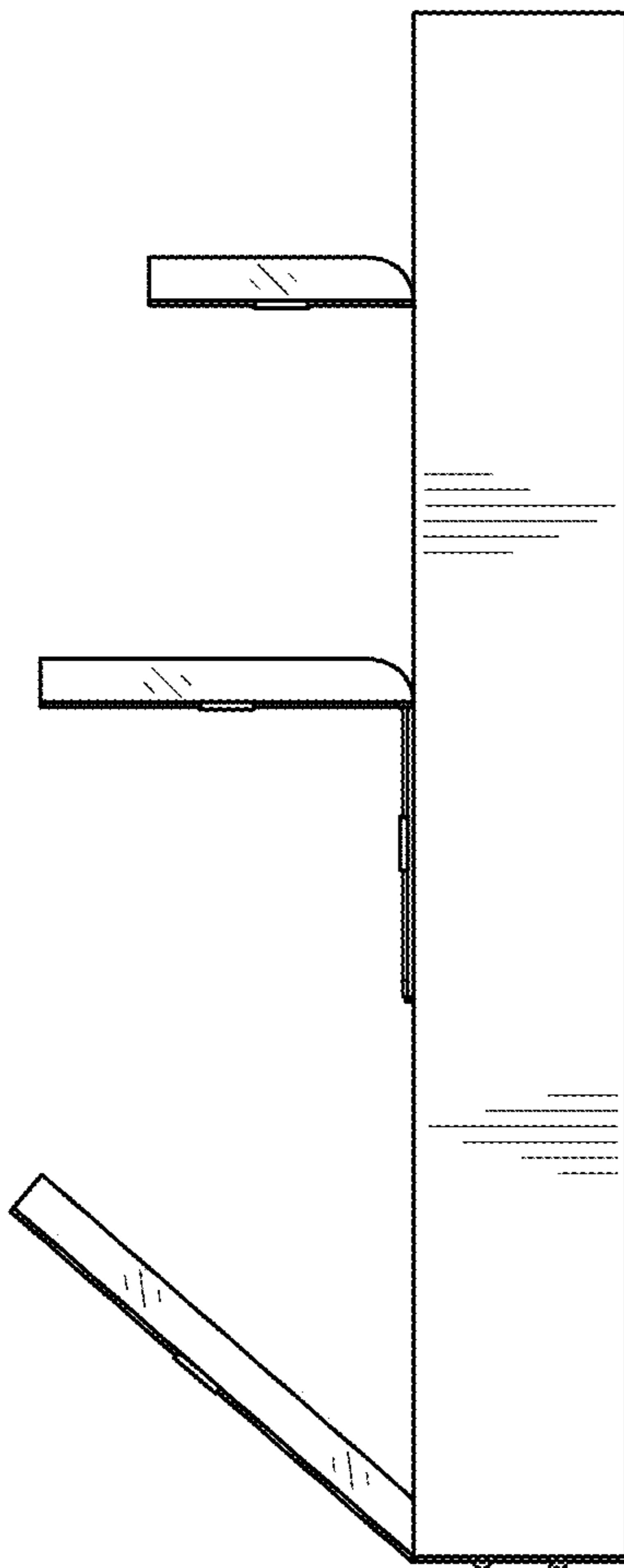


FIG. 4

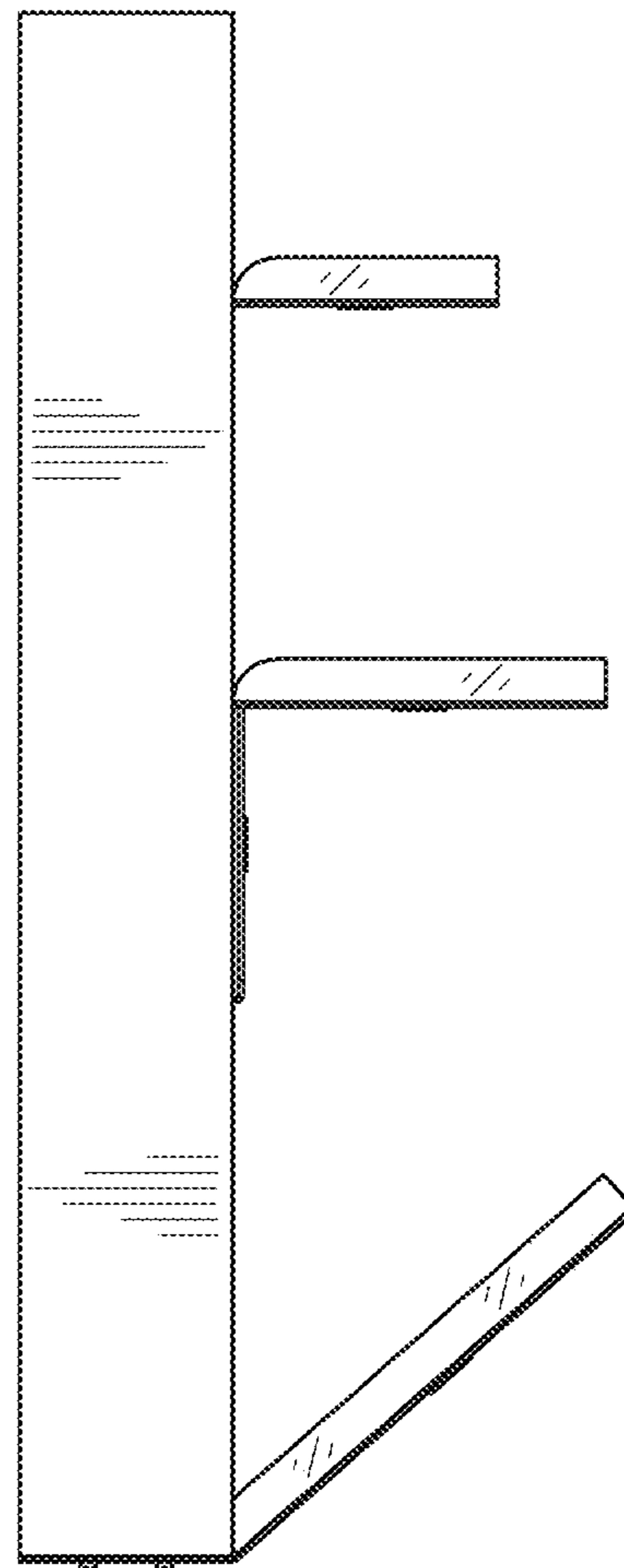


FIG. 5

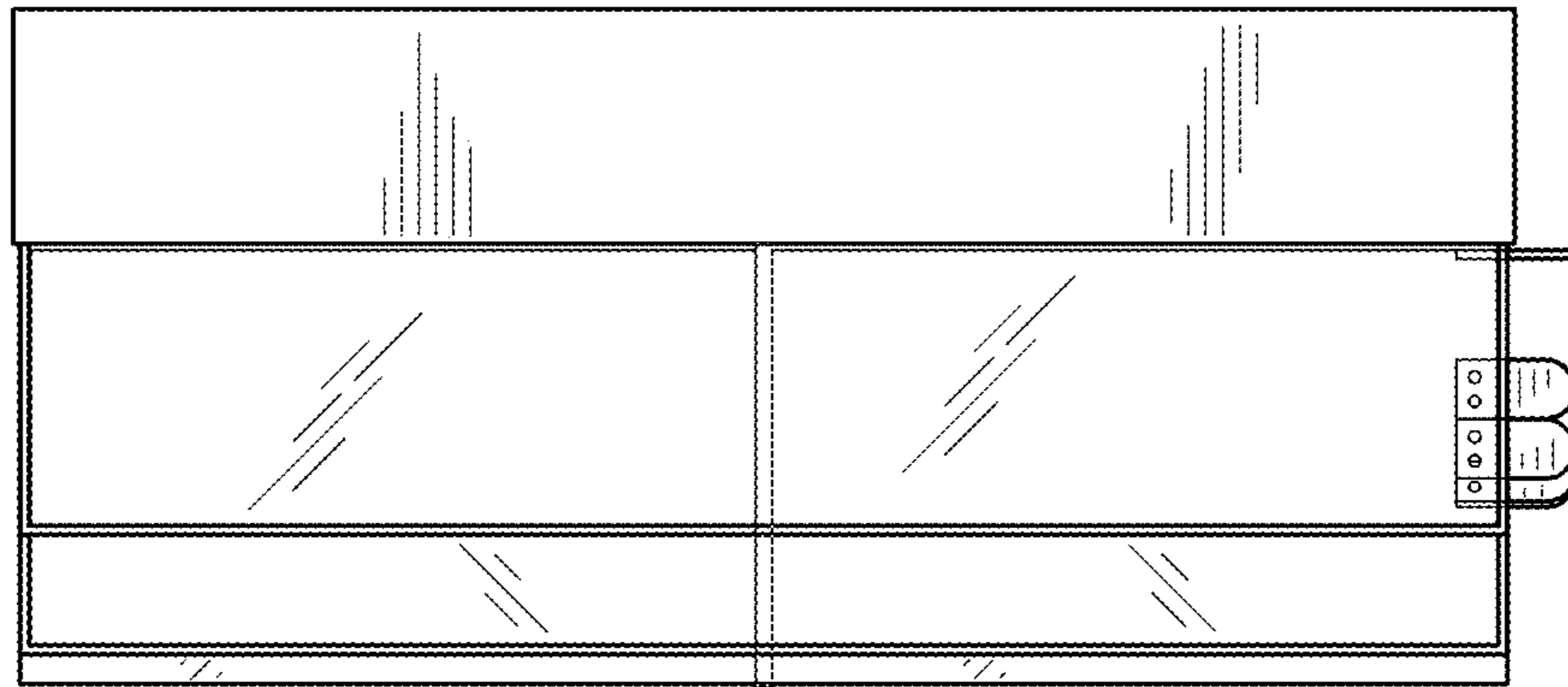


FIG. 6

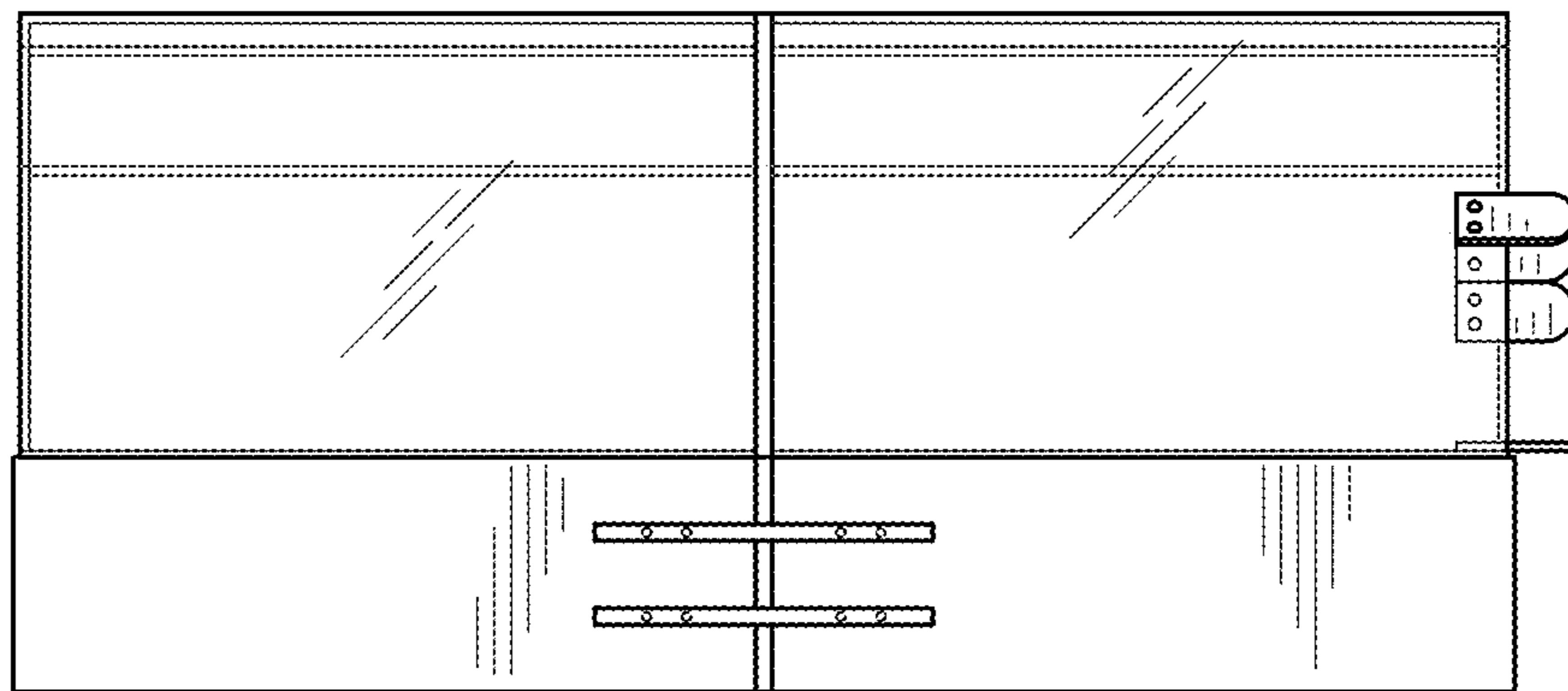


FIG. 7