



US00D934595S

(12) **United States Design Patent** (10) **Patent No.:** **US D934,595 S**
King (45) **Date of Patent:** **** Nov. 2, 2021**

(54) **AIR MATTRESS**
(71) Applicant: **Nathan King**, Peoria, AZ (US)
(72) Inventor: **Nathan King**, Peoria, AZ (US)
(**) Term: **15 Years**
(21) Appl. No.: **29/745,570**
(22) Filed: **Aug. 6, 2020**
(51) **LOC (13) Cl.** **06-09**
(52) **U.S. Cl.**
USPC **D6/604**
(58) **Field of Classification Search**
USPC D6/582-583, 587-592, 595-609,
D6/617-622; D21/803-809; D24/183
CPC A47G 9/00; A47G 2009/001; A47G
2009/002; A47G 2009/003; A47G
2009/005; A47G 2009/006; A47G 9/02;
A47G 9/0207; A47G 9/0215; A47G
9/0223; A47G 9/023; A47G 9/0238;
A47G 9/0246; A47G 9/0253; A47G
9/0261; A47G 9/06; A47G 9/062; A47G
9/066; A47G 9/068; A47G 9/08; A47G
2009/0276; A47G 9/0284; A47G 9/0292;
A47G 9/04; A47G 9/10; A47C 27/081;
B64D 11/00; B60N 2/00; B60N 2/24;
B60N 3/008
See application file for complete search history.

(56) **References Cited**
U.S. PATENT DOCUMENTS
2,372,218 A * 3/1945 Manson A47C 27/081
5/708
2,383,175 A 8/1945 Weisberg
2,620,493 A 12/1952 Brelsford
3,648,306 A * 3/1972 Auerbach B60N 2/345
5/94
4,766,626 A 8/1988 Green
D349,145 S * 7/1994 Haughey D21/809

D353,967 S 1/1995 Moore
5,966,755 A 10/1999 Pittman
D434,936 S 12/2000 May
D467,458 S 12/2002 Norman
D523,275 S 6/2006 Hawkins
D609,520 S * 2/2010 Pittman D6/596
D834,868 S 12/2018 Knowlton et al.
D844,347 S * 4/2019 Bosstick D6/604
D851,962 S * 6/2019 King D6/604
2002/0070592 A1 6/2002 Norman
2005/0120477 A1 6/2005 Kennan
2005/0120484 A1 6/2005 Gold et al.
2008/0078023 A1 4/2008 McClintock et al.
2010/0229298 A1* 9/2010 Davis A61G 7/1026
5/81.1 R

* cited by examiner

Primary Examiner — Jennifer L Rempfer
(74) *Attorney, Agent, or Firm* — Howard & Howard
Attorneys PLLC

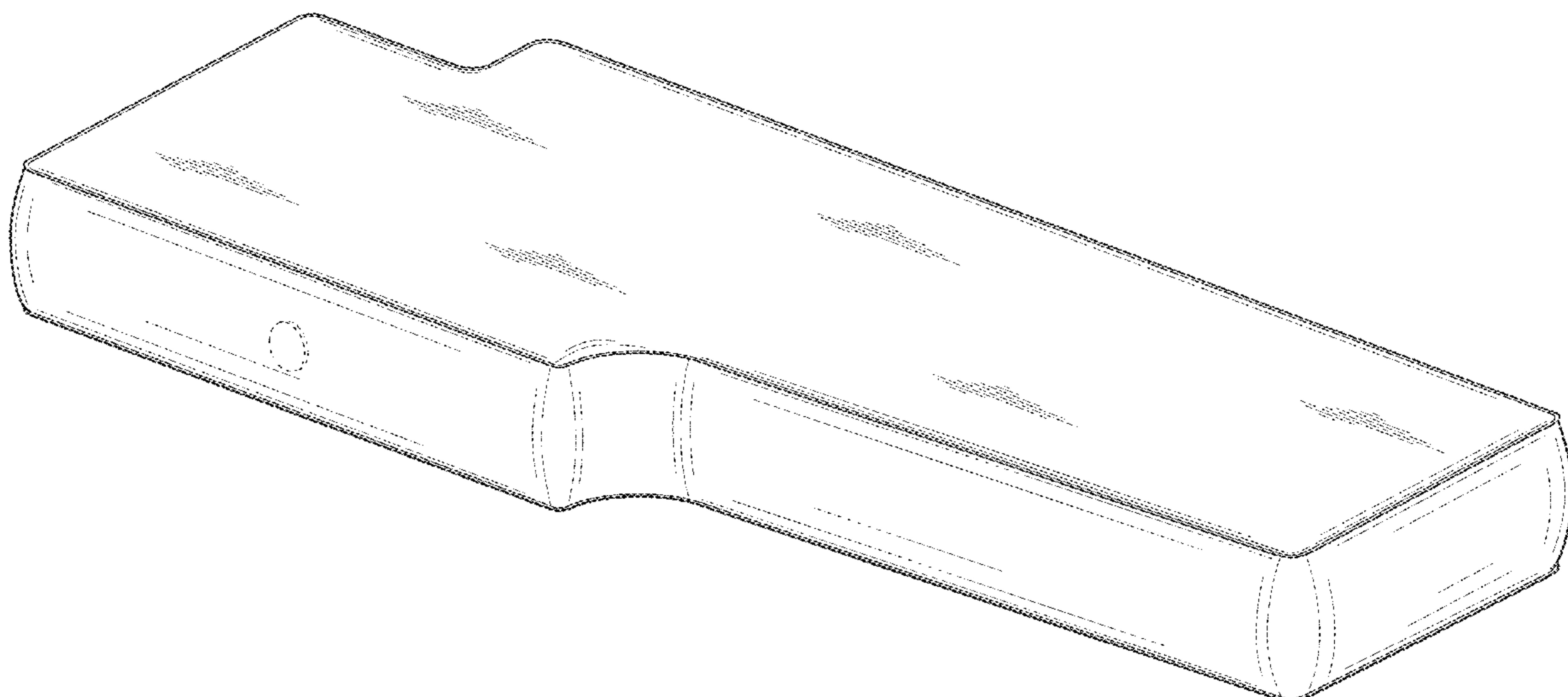
(57) **CLAIM**

The ornamental design for a air mattress, as shown and described.

DESCRIPTION

FIG. 1 is a perspective view of an air mattress showing my new design;
FIG. 2 is a top view thereof;
FIG. 3 is a bottom view thereof;
FIG. 4 is a left side view thereof;
FIG. 5 is a right side view thereof;
FIG. 6 is a front side view thereof;
FIG. 7 is a rear side view thereof; and,
FIG. 8 is a rear perspective view thereof showing the mattress as used in a vehicle.
The broken lines in FIGS. 1, 4, and 6 represent the portions of the air mattress that form no part of the claimed design. The broken lines in FIG. 8, showing portions of a vehicle, represent the environment in which the design is used.

1 Claim, 4 Drawing Sheets



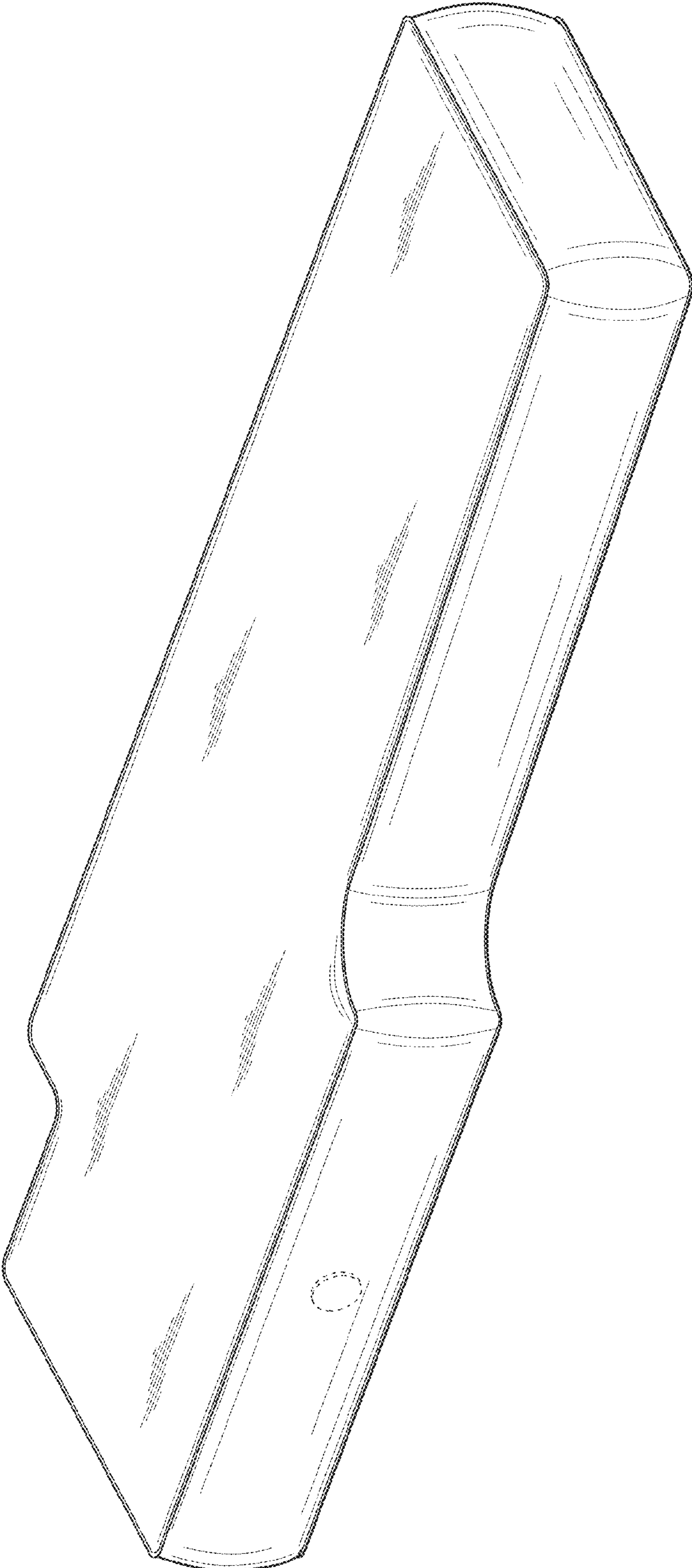


FIG. 1

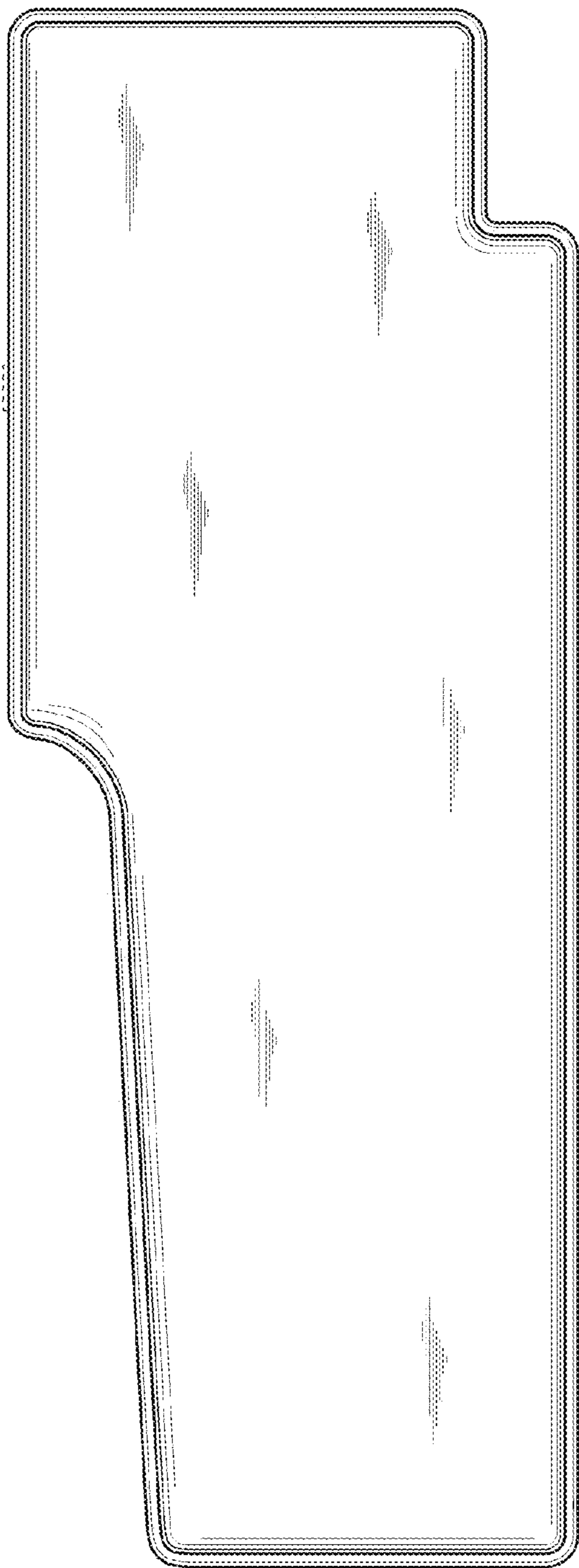


FIG. 2

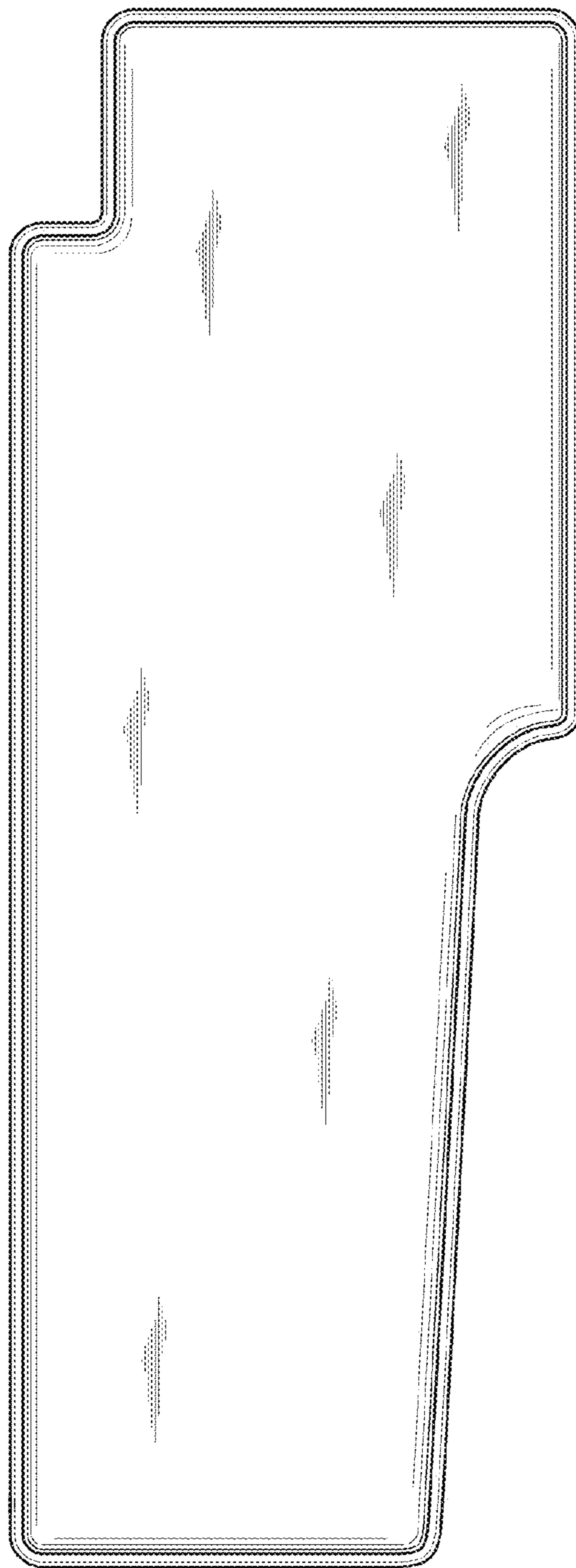


FIG. 3

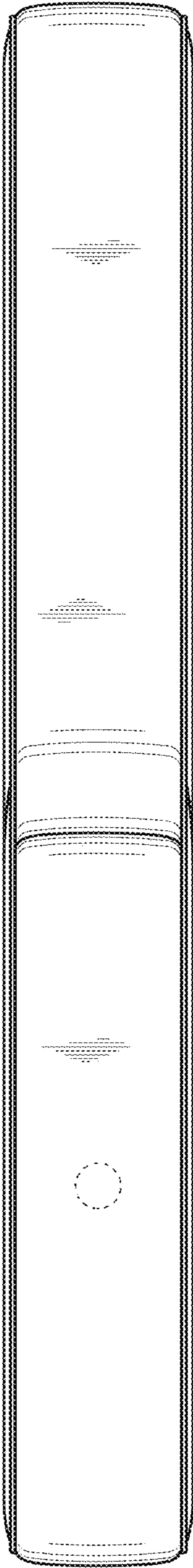


FIG. 4

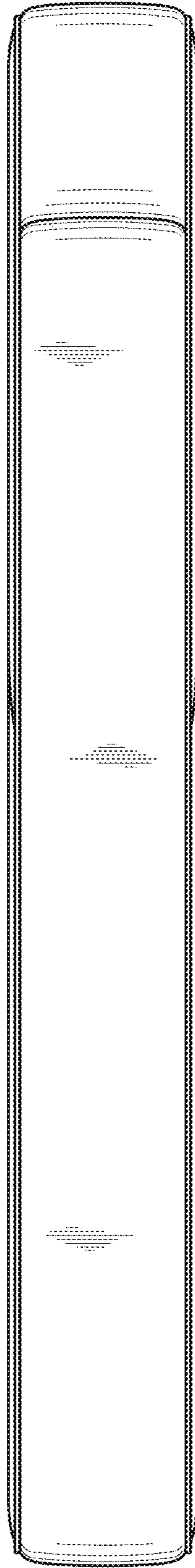


FIG. 5



FIG. 6

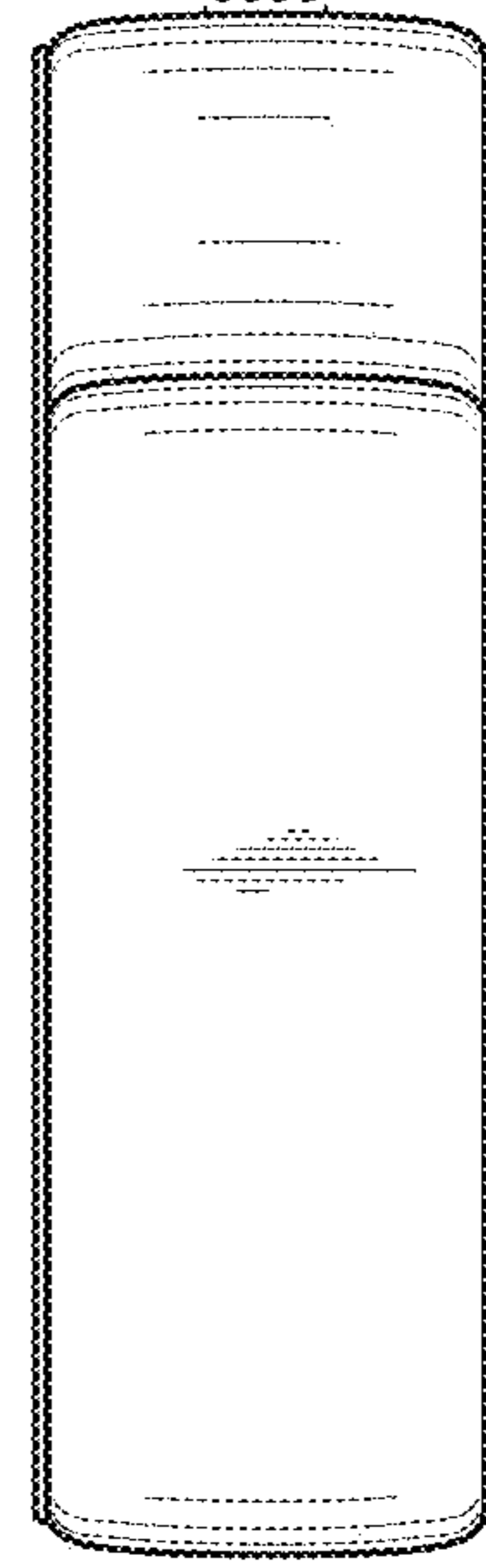


FIG. 7

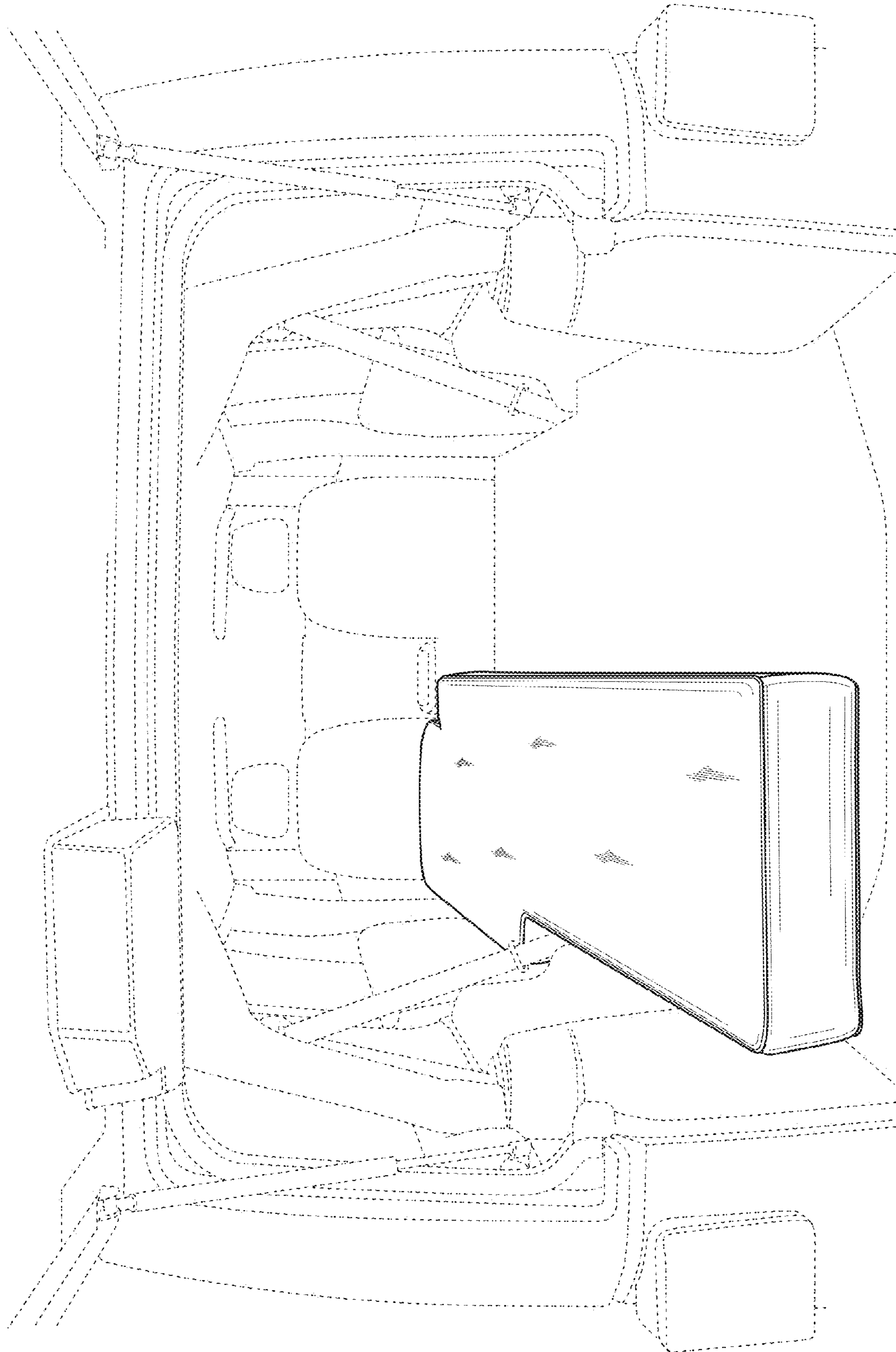


FIG. 8