



US00D934590S

(12) **United States Design Patent**
Cordani

(10) **Patent No.: US D934,590 S**

(45) **Date of Patent: ** *Nov. 2, 2021**

(54) **HAND PILLOW**

(71) Applicant: **Peter Cordani**, Jupiter, FL (US)

(72) Inventor: **Peter Cordani**, Jupiter, FL (US)

(*) Notice: This patent is subject to a terminal disclaimer.

(**) Term: **15 Years**

(21) Appl. No.: **29/656,432**

(22) Filed: **Jul. 12, 2018**

(51) **LOC (13) Cl. 06-09**

(52) **U.S. Cl.**
USPC **D6/601**

(58) **Field of Classification Search**
USPC D6/333, 349, 355, 375, 388, 512, 563,
D6/564, 595, 596, 601, 603, 605, 608,
D6/604, 611; D24/183-185, 234;
D21/803, 804, 805, 809; 5/401, 420,
5/600, 630, 631, 632, 633, 635, 636, 638,
5/639, 646, 652, 652.1, 655, 703, 730,
5/411, 705
CPC .. A47G 9/0238; A47G 9/0246; A47G 9/0261;
A47G 2009/0269; A47G 9/10; A47G
9/1018; A47G 9/1027; A47G 9/1063;
A47G 9/1072; A47G 9/1081; A47G
9/1054

See application file for complete search history.

(56) **References Cited**

U.S. PATENT DOCUMENTS

- 1,580,210 A * 4/1926 McCulloch A47G 9/10
5/644
- 2,924,458 A * 2/1960 Barry A41D 13/088
473/62
- 3,924,283 A * 12/1975 Shave A47G 9/10
5/636
- D258,187 S * 2/1981 Robbins D6/596
- D282,407 S * 2/1986 Braun D2/866

- D325,682 S * 4/1992 Green D6/601
- D366,800 S * 2/1996 Moore, Jr. D6/596
- D383,634 S * 9/1997 Selph D6/596
- 6,526,612 B1 * 3/2003 Zarrella A47C 7/383
5/636
- D474,934 S * 5/2003 Ildstad D6/601
- 6,951,038 B1 * 10/2005 Ganoë, Sr. A47G 9/1027
5/636
- D557,965 S * 12/2007 Rybinski D6/601
- D591,097 S * 4/2009 DeLong D6/596
- D661,151 S * 6/2012 Carter A47C 27/008
D6/595
- D697,739 S * 1/2014 Nabeta D6/601
- D769,028 S * 10/2016 Little D6/601
- D769,451 S * 10/2016 MacMillan D24/190

(Continued)

OTHER PUBLICATIONS

Amazon: Ostrich Pillow, earliest review Oct. 2017, [online],[site visited Nov. 6, 2019] Available from Internet: URL: <https://www.amazon.com/OSTRICH-PILLOW-Travel-Airplane-Support/dp/B06Y44DZC4?th=1#customerReviews> (Year: 2017).*

Primary Examiner — Sanjeev Paul

(74) Attorney, Agent, or Firm — McHale & Slavin, P.A.

(57) **CLAIM**

The ornamental design for a hand pillow, as shown and described.

DESCRIPTION

FIG. 1 is a perspective view of the hand pillow of the instant invention;

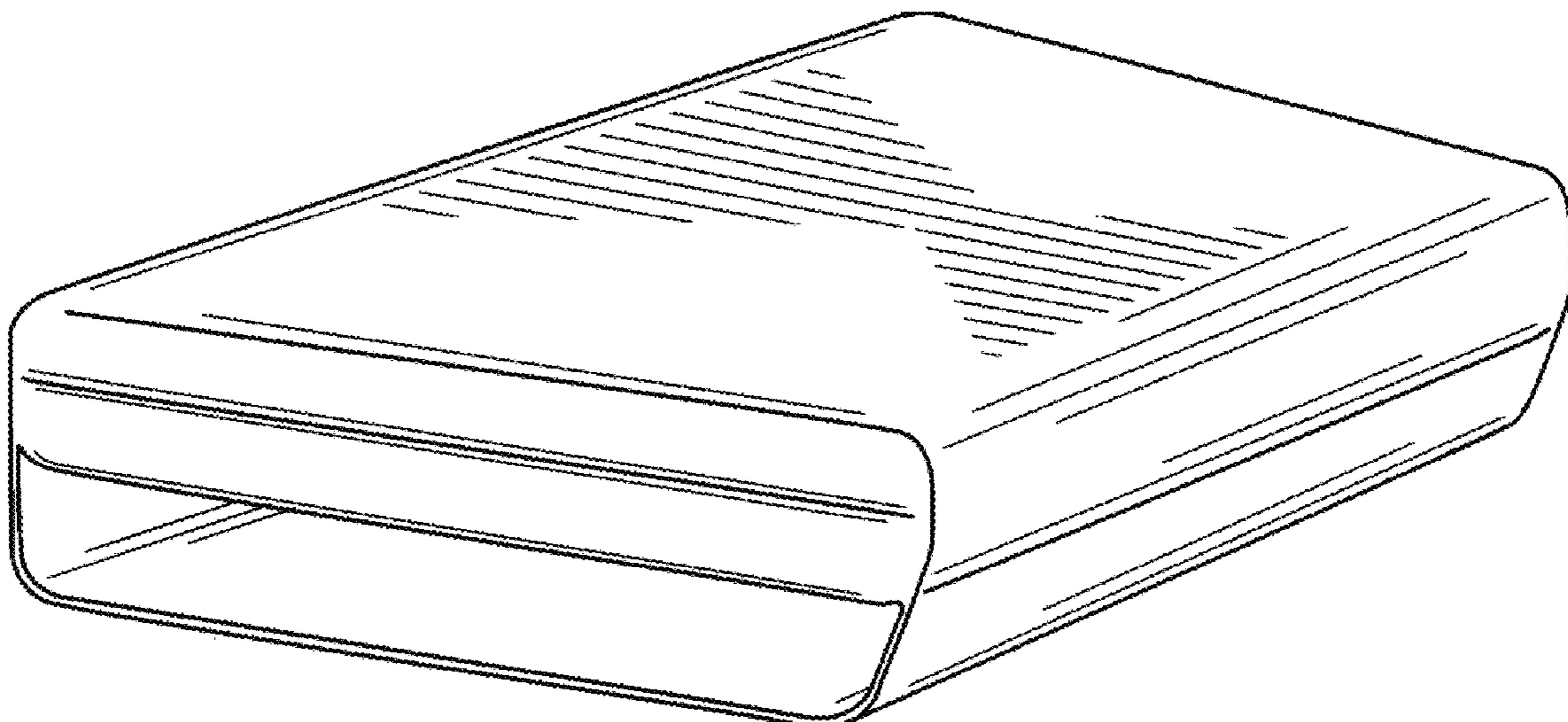
FIG. 2 is a view of the hand pillow in a state of use;

FIG. 3 is a left side view thereof, the right side view forming a mirror image; and,

FIG. 4 is a first end view thereof, the opposite end forming a mirror image.

The broken lines represent environmental subject matter and form no part of the claimed design.

1 Claim, 2 Drawing Sheets



(56)

References Cited

U.S. PATENT DOCUMENTS

D792,124 S * 7/2017 Blatt D6/596
D817,663 S * 5/2018 Hicks D6/601
D822,911 S * 7/2018 Menayan D30/118
D824,190 S * 7/2018 Engelhardt D6/601
D835,924 S * 12/2018 Moss D6/598
D853,752 S * 7/2019 Porter D6/601
2005/0236446 A1* 10/2005 Sims A63B 57/203
224/269
2005/0273069 A1* 12/2005 Mizutani A61F 13/47209
604/385.17
2012/0079657 A1* 4/2012 Holyfield A47G 9/0253
5/490
2013/0025060 A1* 1/2013 Shull A47G 9/10
5/646
2013/0117939 A1* 5/2013 Moss A47G 9/10
5/644
2016/0157643 A1* 6/2016 King A47C 7/383
5/636
2017/0215608 A1* 8/2017 Moss A47G 9/1045
2018/0192799 A1* 7/2018 Fulkerson A47G 9/1081
2018/0329520 A1* 11/2018 Mazak A63F 7/2436

* cited by examiner

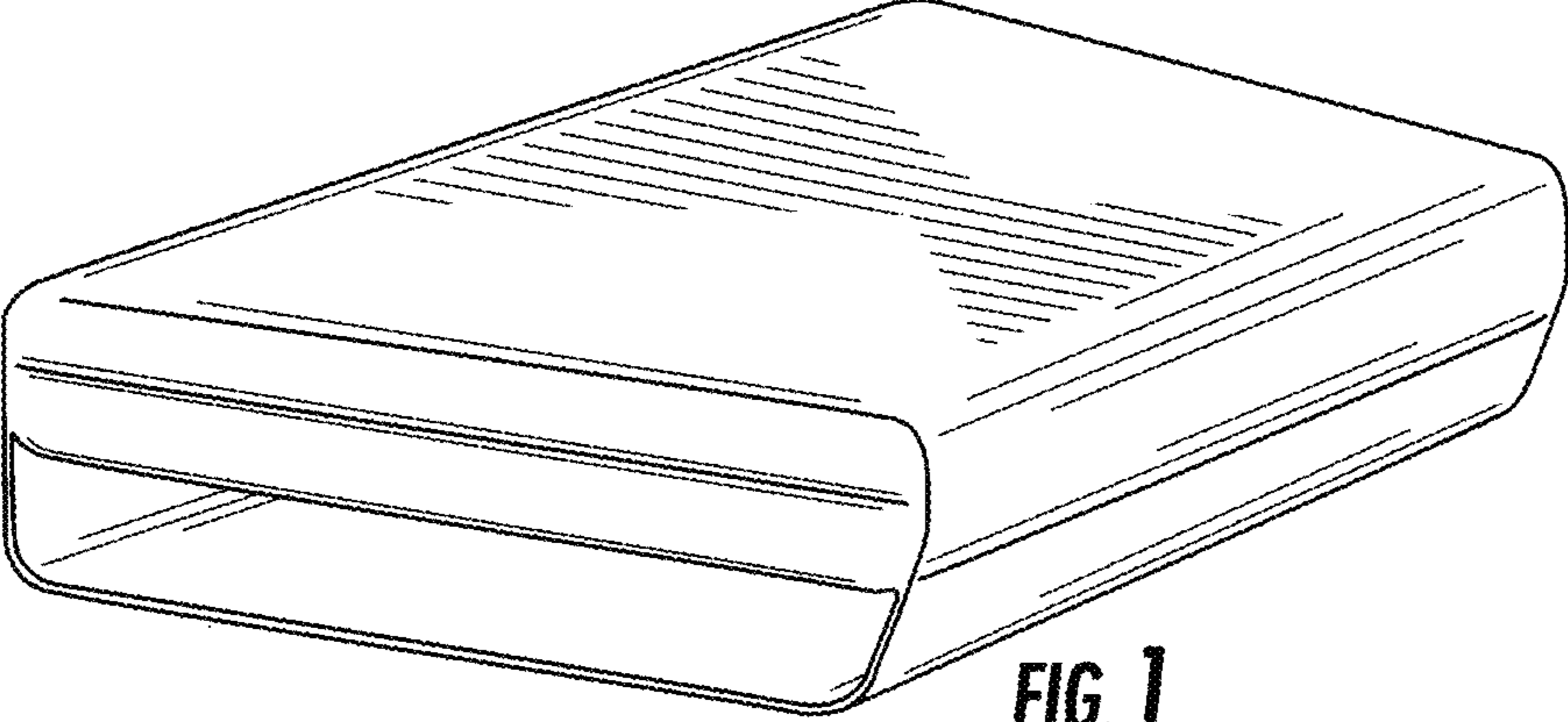


FIG. 1

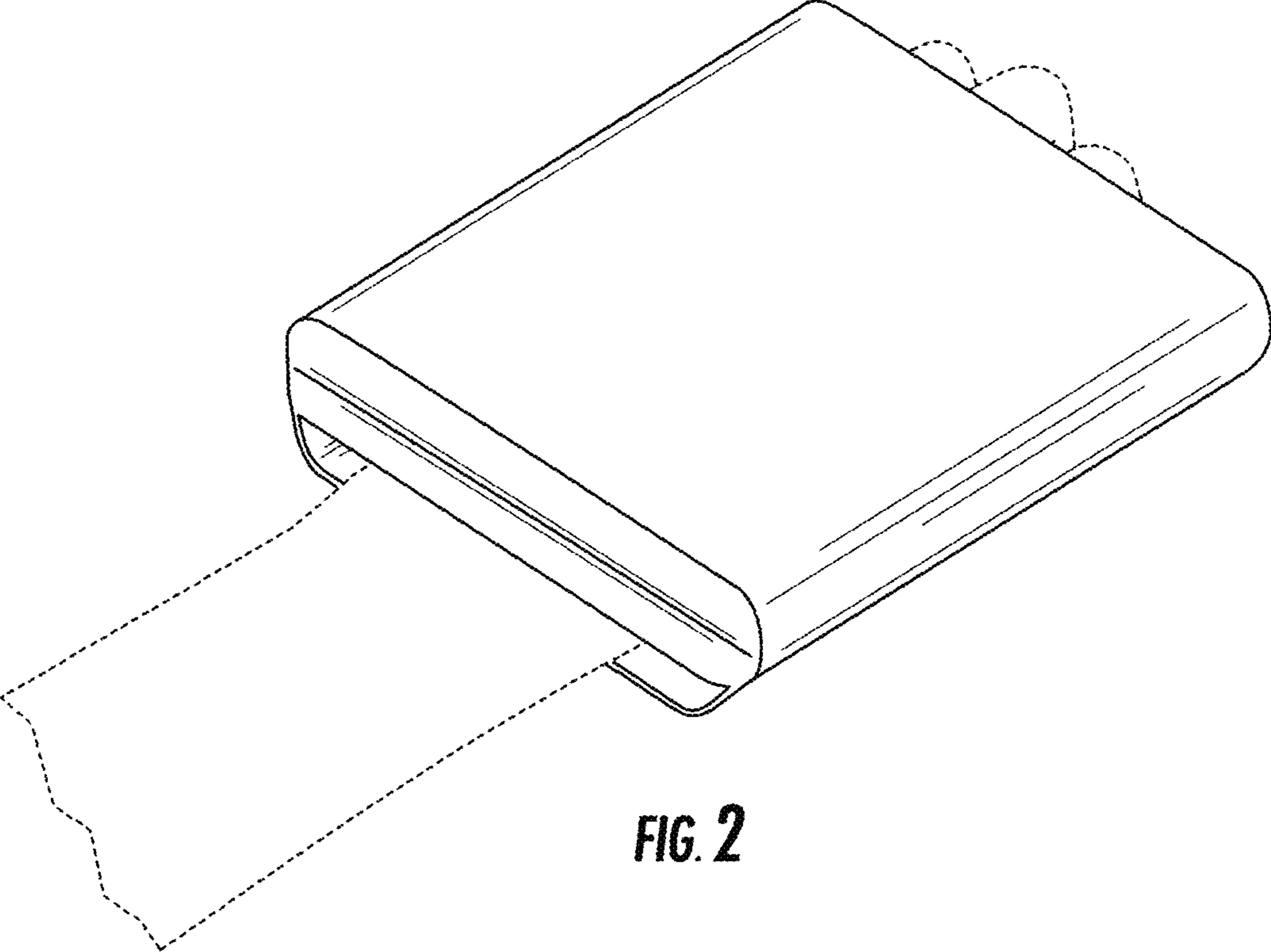


FIG. 2

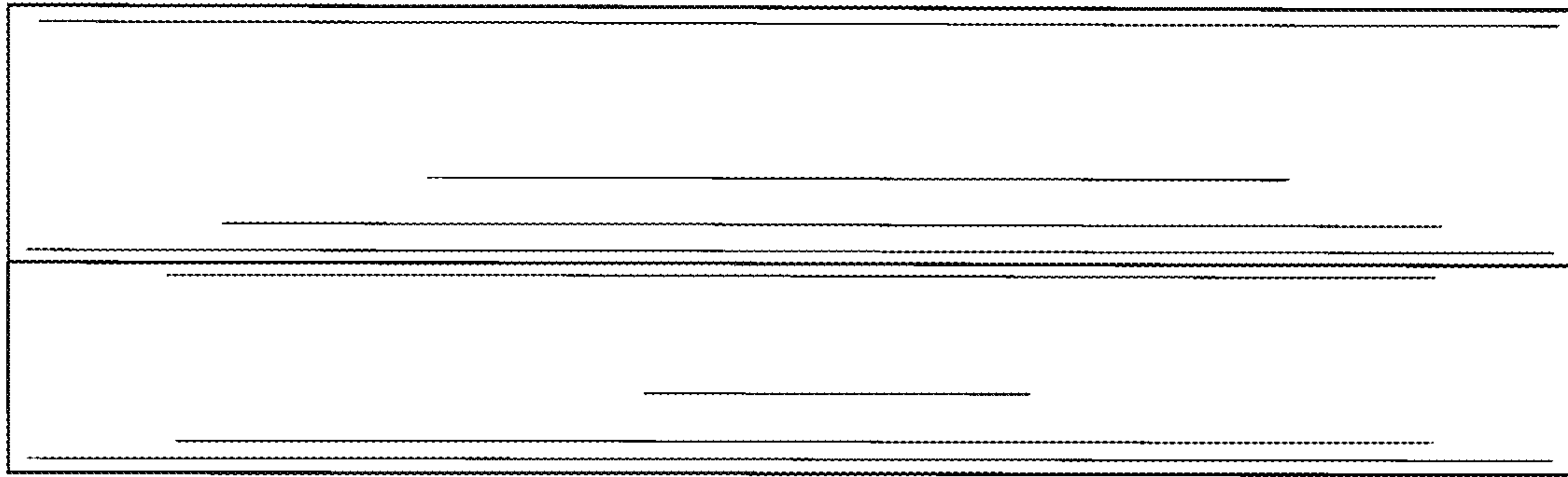


FIG. 3

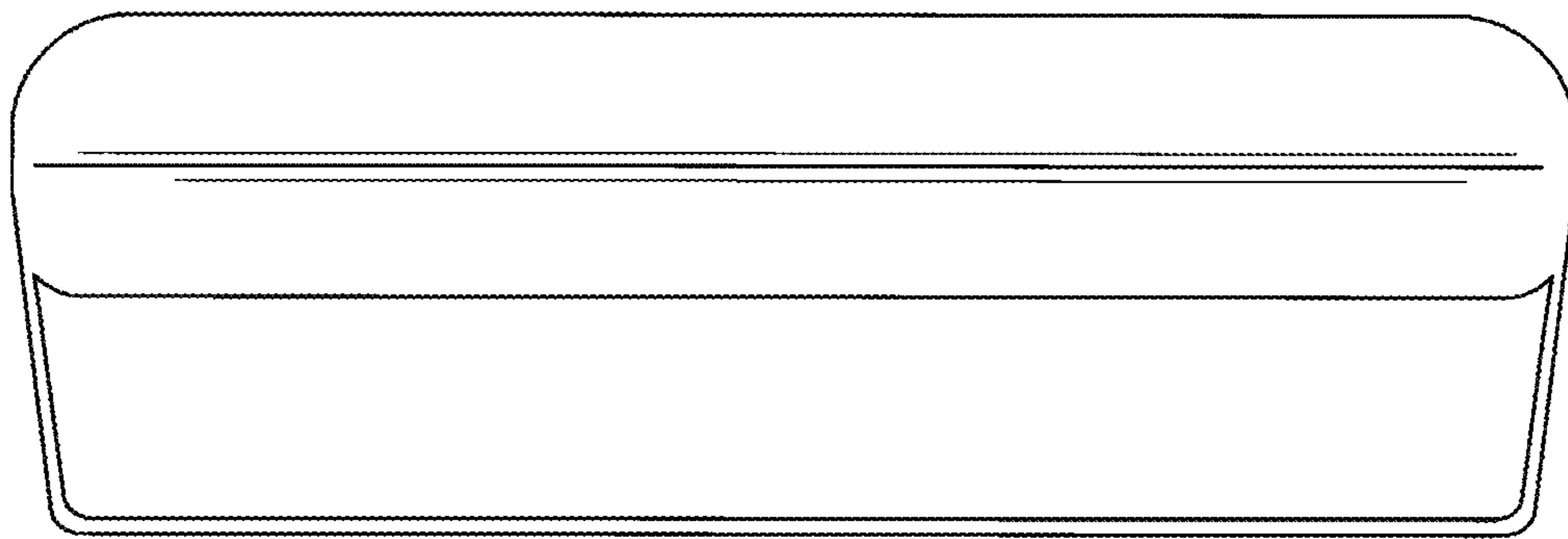


FIG. 4