



US00D934587S

(12) **United States Design Patent** (10) **Patent No.:** **US D934,587 S**
Crawford et al. (45) **Date of Patent:** **** Nov. 2, 2021**

(54) **FISHING ROD CADDY** D353,067 S * 12/1994 Asmar D6/552
5,984,395 A * 11/1999 Halpen A63B 55/10
206/315.6
(71) Applicant: **Castek, LLC**, Salem, UT (US) D424,141 S * 5/2000 Eckmann D21/686
D440,803 S * 4/2001 McCormick D6/552
(72) Inventors: **Ryan Crawford**, Salem, UT (US); 7,137,511 B1 * 11/2006 Crowell F41A 23/18
Chris Nelson, Provo, UT (US); 211/4
Richard Smith, Spanish Fork, UT (US) D586,425 S * 2/2009 Alley D22/147
(73) Assignee: **Castek, LLC**, Salem, UT (US) (Continued)

(**) Term: **15 Years**
(21) Appl. No.: **29/728,048**
(22) Filed: **Mar. 16, 2020**

Related U.S. Application Data

(63) Continuation of application No. 16/567,878, filed on Sep. 11, 2019.
(51) **LOC (13) Cl.** **08-08**
(52) **U.S. Cl.**
USPC **D6/552**
(58) **Field of Classification Search**
USPC D6/552, 553, 567, 572; D8/380;
D22/109, 147, 148; D25/68; 43/21,
43/21.2; 211/13.1, 60.1, 64, 70.2, 70.6,
211/70.8, 65, 68, 69, 69.8, 89, 94;
248/512, 520, 538, 316.7
CPC A01K 97/10; A01K 97/12; A01K 97/125;
A01K 99/00; A01K 97/08; A47F 7/0021;
A47F 7/0035; A47B 81/005; Y10T
70/5009; Y10S 224/922
See application file for complete search history.

(56) **References Cited**

U.S. PATENT DOCUMENTS

D256,303 S 8/1980 Rieman
D269,751 S 7/1983 Rieman
4,523,403 A * 6/1985 Ivy A01K 97/125
43/17

OTHER PUBLICATIONS

Castek.com, Castek Rod Caddy, Sep. 2, 2020, <https://www.castekfishing.com/> (Year: 2020).*
(Continued)

Primary Examiner — Nathan M Johnston
(74) *Attorney, Agent, or Firm* — Thorpe, North & Western, LLP

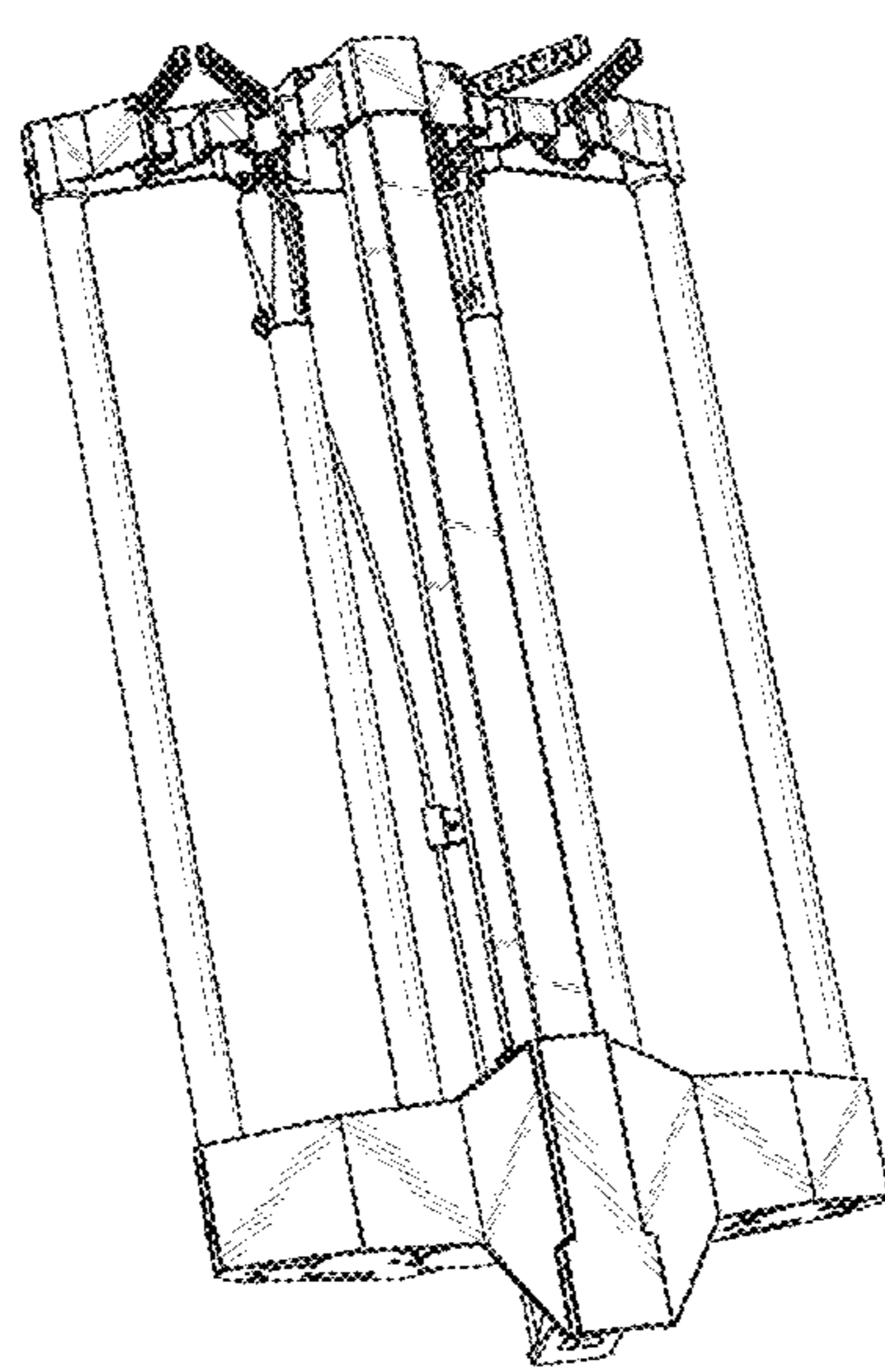
(57) **CLAIM**

The ornamental design for the fishing rod caddy, as shown and described.

DESCRIPTION

FIG. 1 is a perspective view of the fishing rod caddy in accordance with our invention;
FIG. 2 is a front elevation view thereof;
FIG. 3 is a rear elevation view thereof;
FIG. 4 is a left side elevation view thereof, the right side elevation view being a mirror image thereof;
FIG. 5 is a top plan view thereof;
FIG. 6 is a bottom plan view thereof;
FIG. 7 is a front elevation view thereof with legs extended;
FIG. 8 is a rear elevation view thereof with the legs extended; and,
FIG. 9 is a left side elevation view thereof with the legs extended.
The broken lines show portions of the fishing rod caddy that form no part of the claimed design.

1 Claim, 8 Drawing Sheets



(56)

References Cited

U.S. PATENT DOCUMENTS

D622,086	S *	8/2010	Leung	D6/552
D630,875	S *	1/2011	Leung	D6/552
8,757,399	B2	6/2014	Wolfbauer		
8,801,064	B2	8/2014	Xiques		
D753,932	S *	4/2016	Bryant	D6/552
D848,571	S *	5/2019	Blight	D22/147
D922,091	S *	6/2021	Yang	D6/552

OTHER PUBLICATIONS

Amazon.com, Castek Rod Caddy Portable Fishing Rod Rack and Carrier for Freshwater Spinning Rods, Jun. 10, 2019, <https://www.amazon.com/Castek-Caddy-Fishing-Rack-Carrier/dp/B07TL6J3TD/> (Year: 2019).*

alibaba.com; "A Golf Bag Looking Thing That Claims to be for Fishing Rods;" (Sep. 11, 2019); 9 pages; [retrieved Dec. 5, 2019]; Retrieved from <URL: <https://www.alibaba.com/product-detail/>

Fishing-Rod-Carrier-Portable-Canvas-Fishing_60743326651.html >. Boss Pro Shop; "Rod-Tote;" (Sep. 11, 2019); 6 pages; [retrieved on Dec. 5, 2019]; Retrieved from <URL: <https://www.basspro.com/shop/en/rod-tote> >.

Rod Runner; "Rod Runner;" (Sep. 11, 2019); 2 pages; [retrieved on Dec. 5, 2019]; Retrieved from <URL: <https://rod-runner.com> >.

Rodmaster; Rod Master Fishing Rod Caddy and Rod Rack; (Sep. 11, 2019); 4 pages; [retrieved on Dec. 5, 2019]; Retrieved from <URL: <https://rodmasterusa.com/product/rodmaster-rod-caddy-fishing-rod-rack/> >.

MH4Designs LLC; "Fishing Rod Carrier Plus;" (Sep. 11, 2019); 1 page; [retrieved on Dec. 5, 2019]; Retrieved from <URL: <http://www.matthoff4designs.com/fishing-rod-carrier-plus--frc-html> >.

Allen Precision Equipment; "Seco Gardner Rod Rest;" (Sep. 11, 2019); 1 page; [retrieved Dec. 5, 2019]; Retrieved from <URL: https://www.allenprecision.com/gardner-rod-rest-for-1-1-4-pole/?gclid=Cj0KCOjww8jcBRDZARIsAJGCSGspAoagm2Fapnk35dm8S9kym_7U8piBII9W3V878M142UAYj1fQQ51aAqHIEALw_wcB >.

* cited by examiner

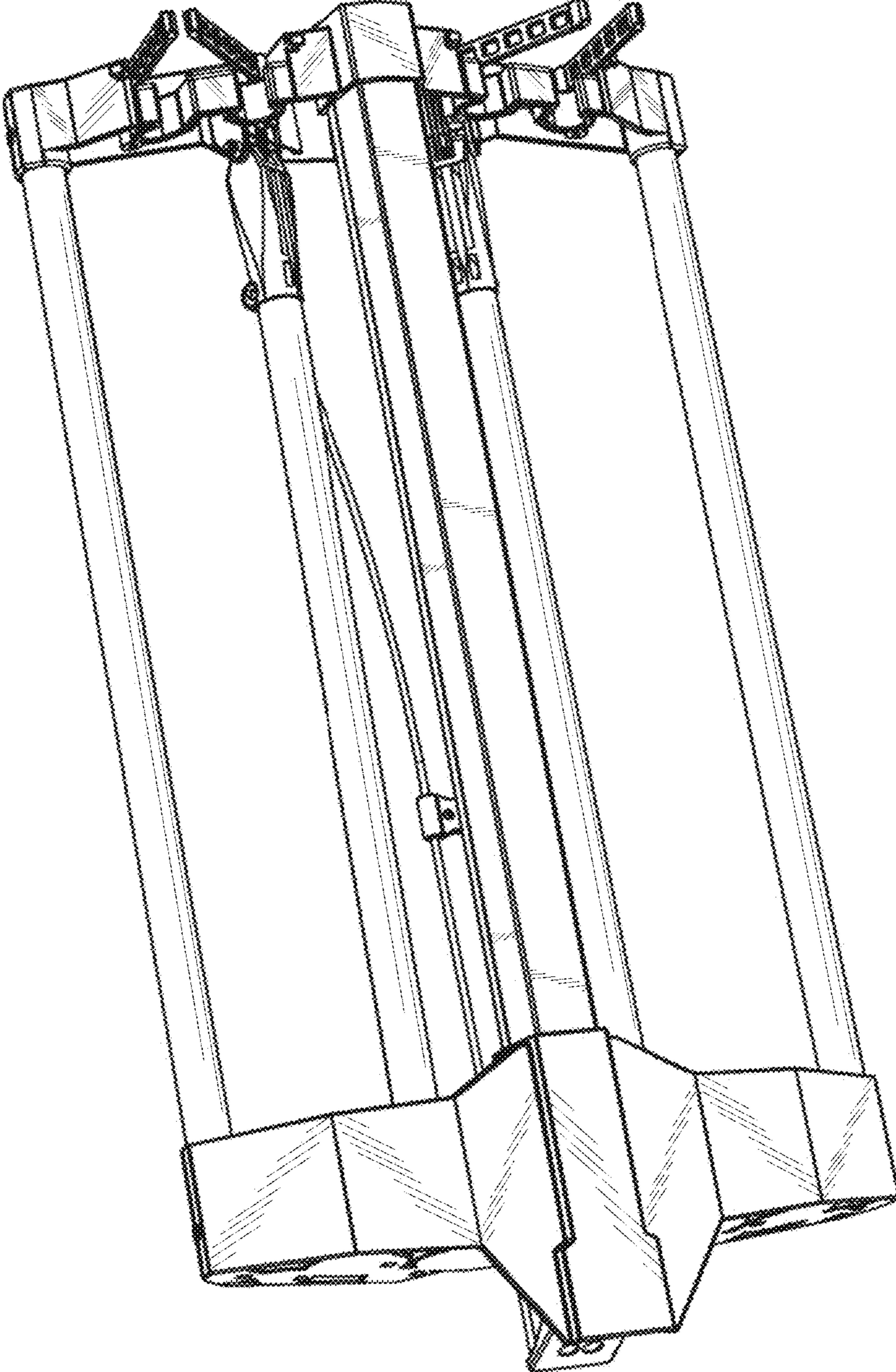


Fig. 1

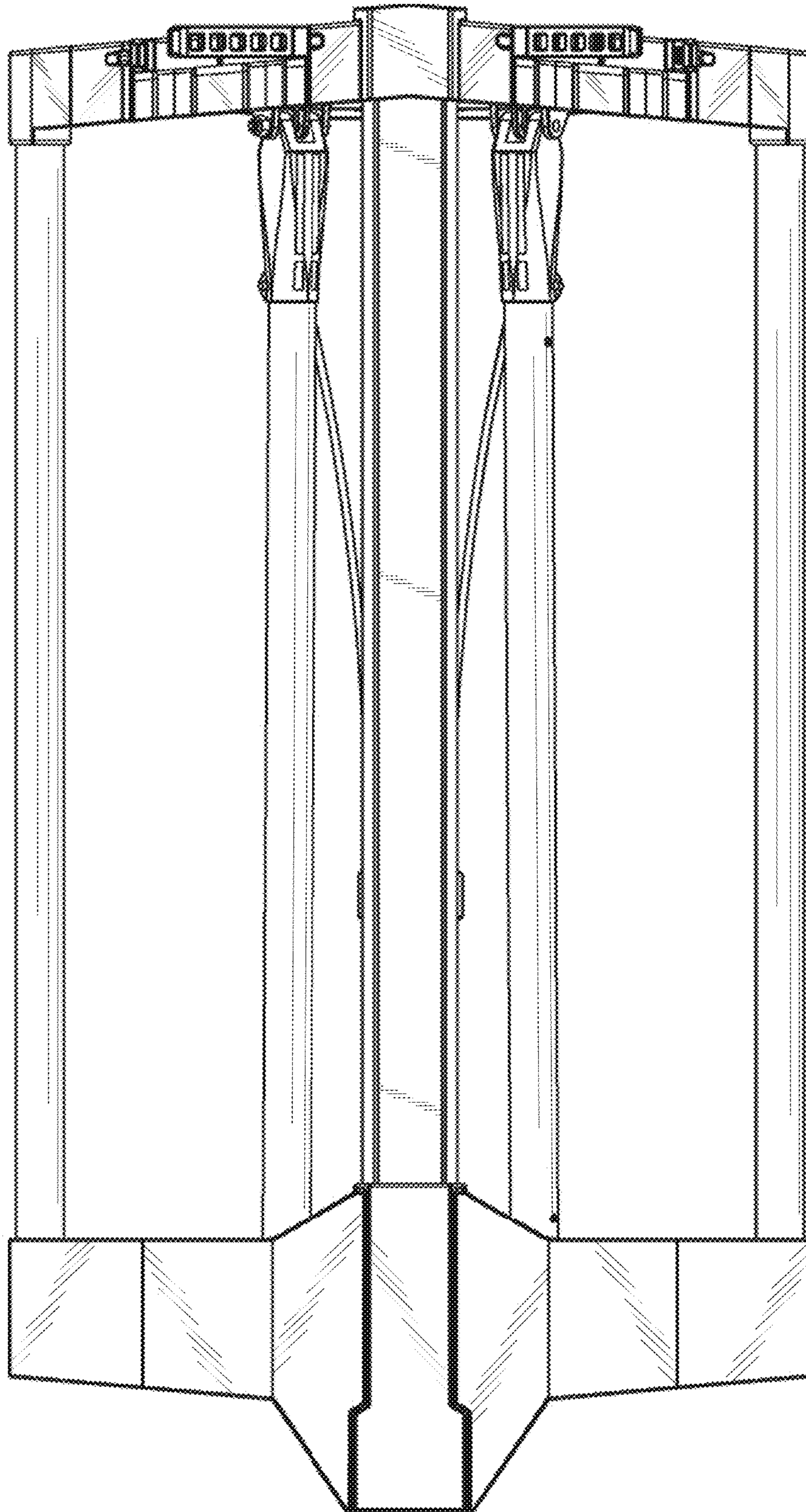


Fig. 2

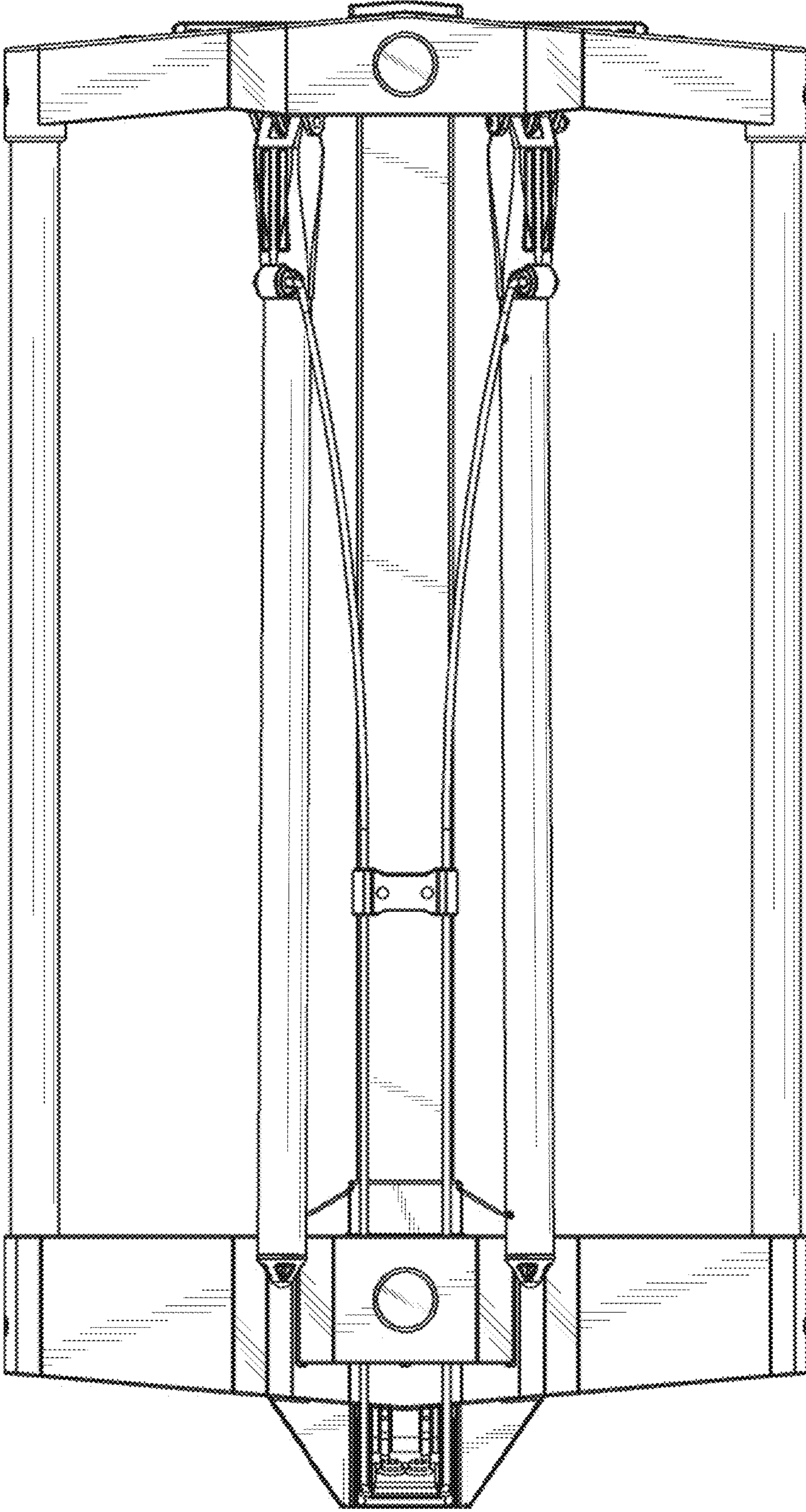


Fig. 3

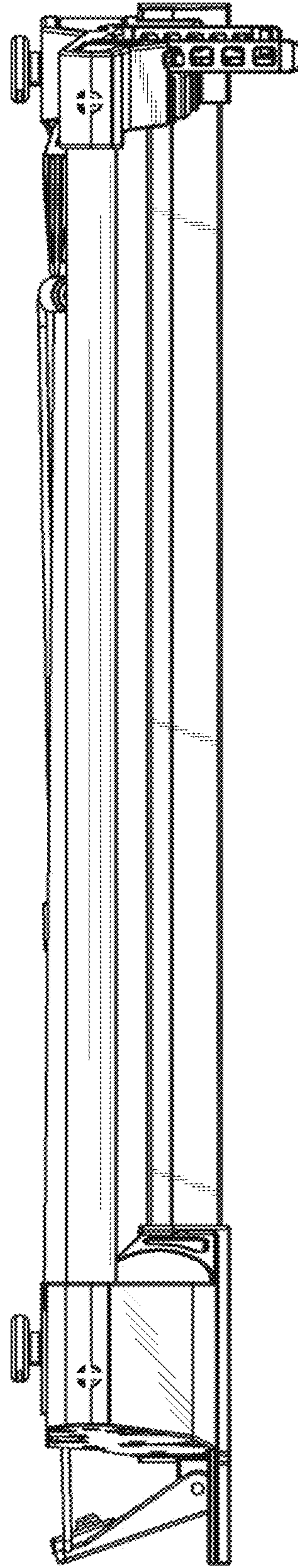


Fig. 4

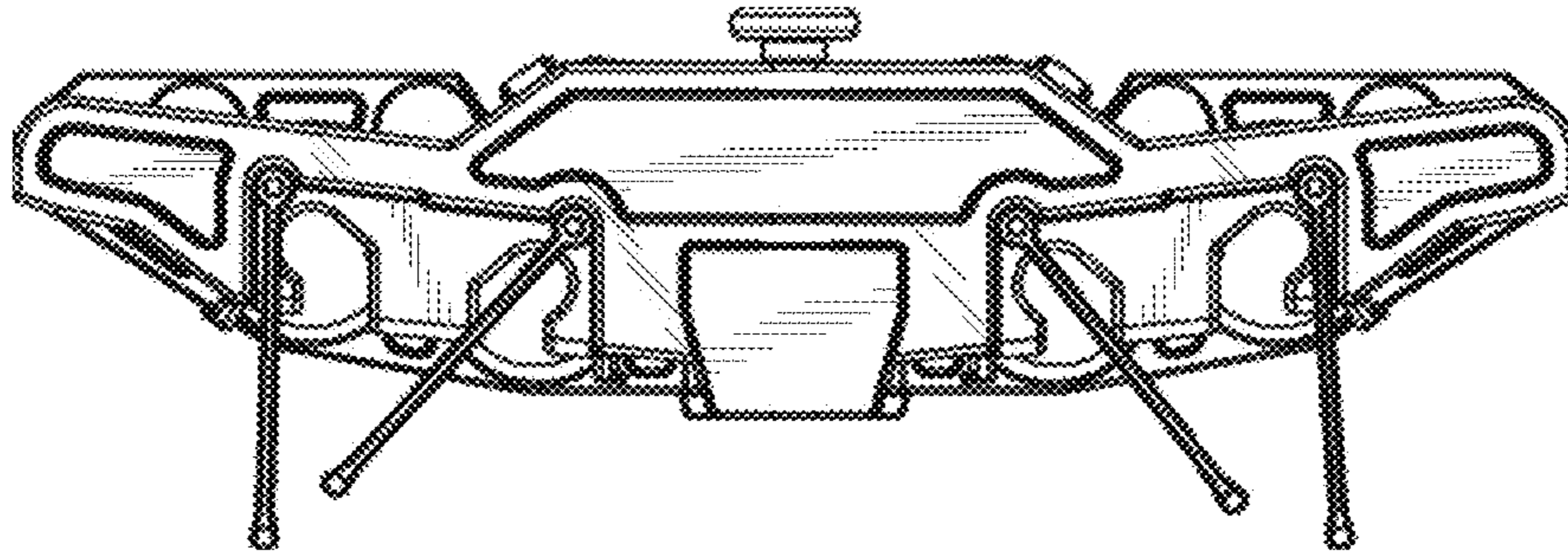


Fig. 5

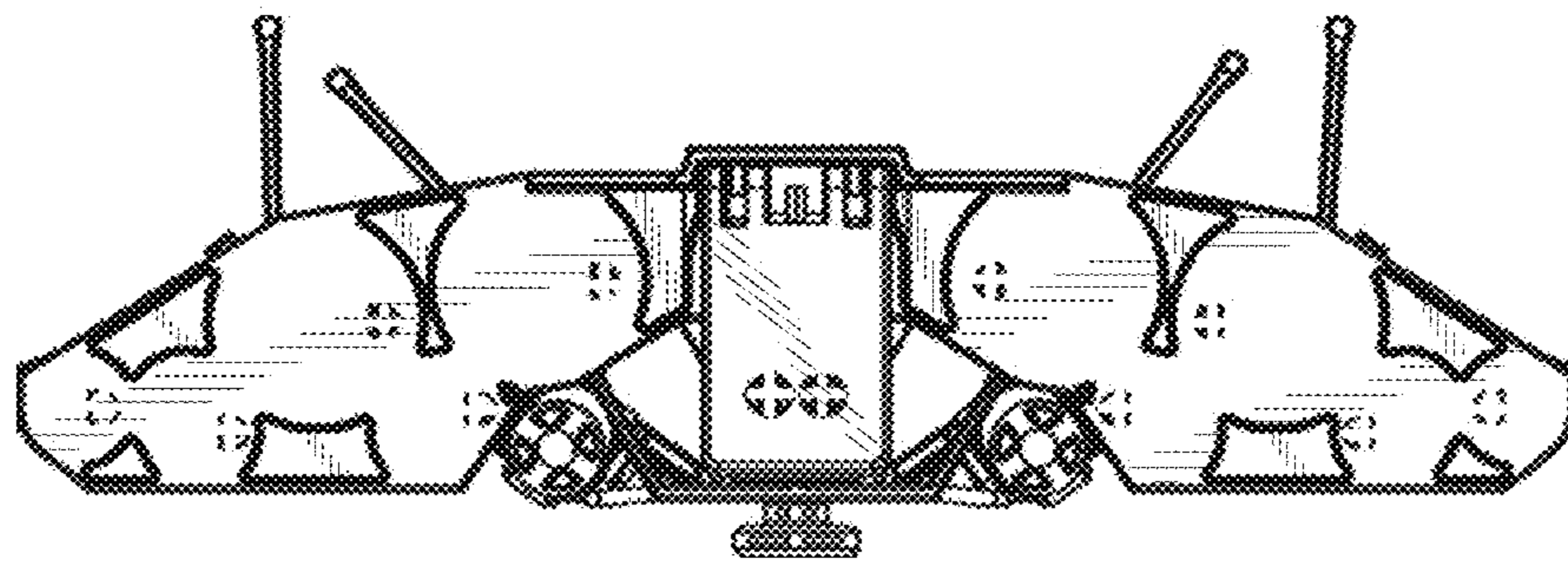


Fig. 6

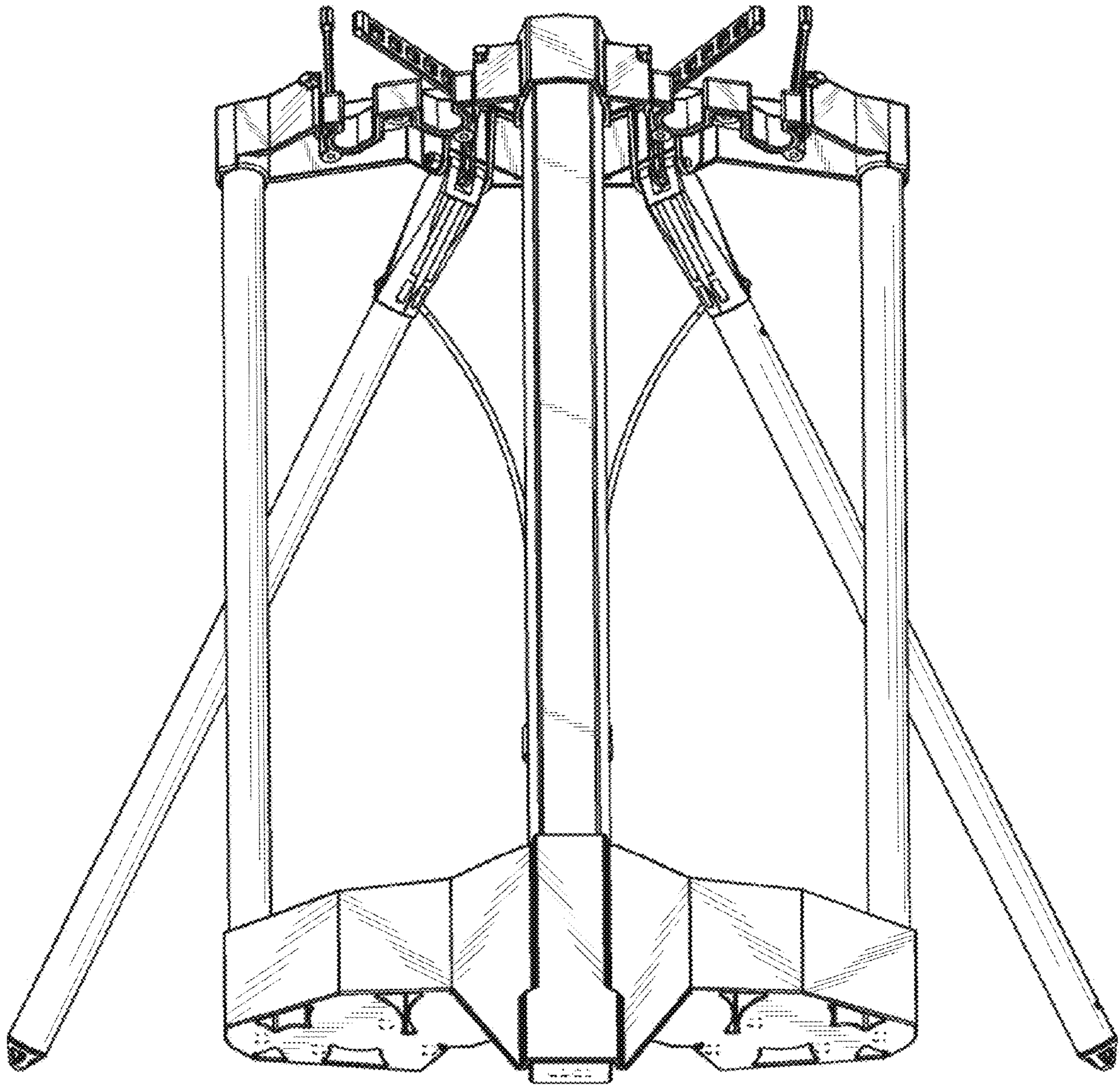


Fig. 7

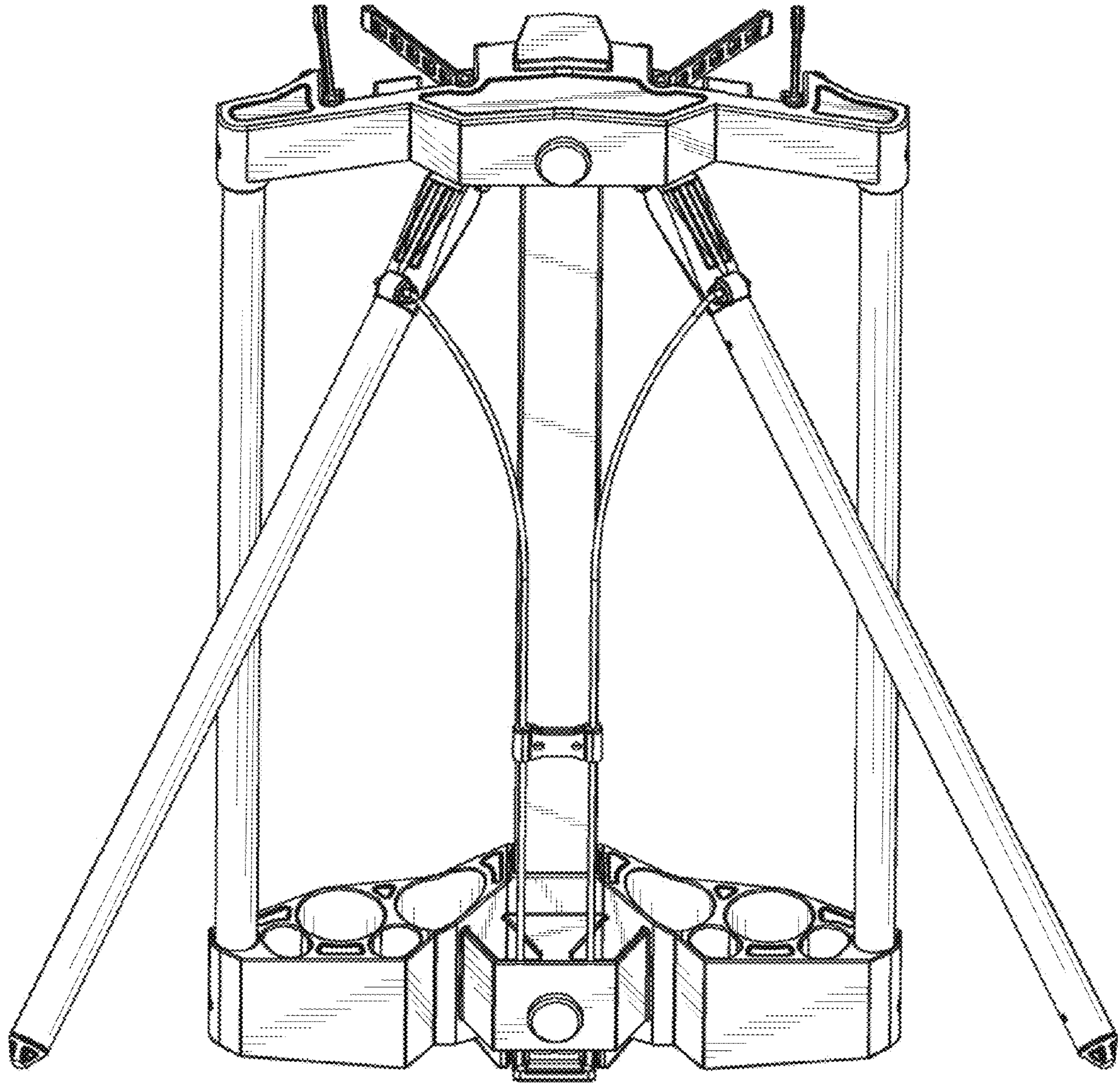


Fig. 8

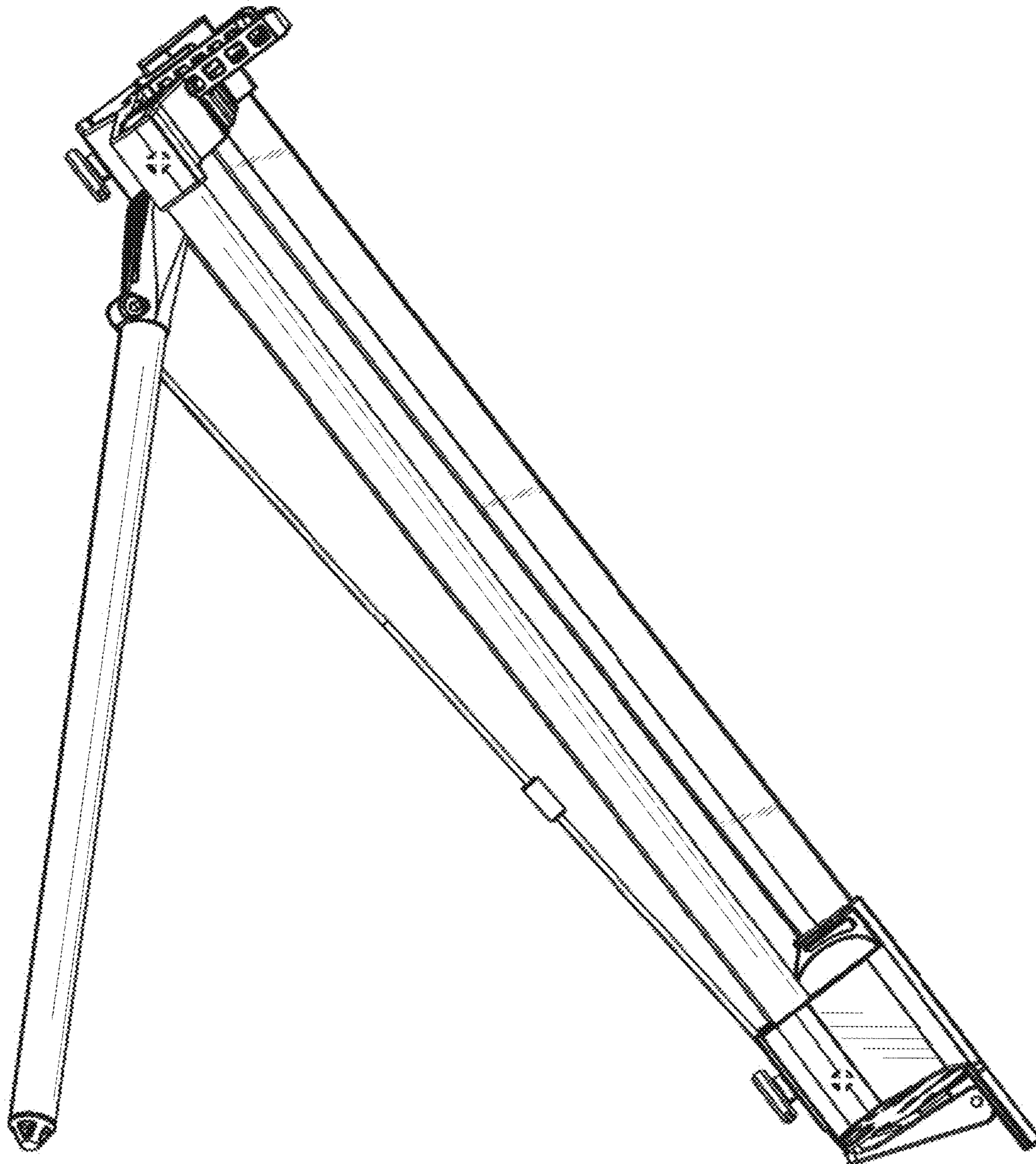


Fig. 9