



US00D934585S

(12) **United States Design Patent** (10) **Patent No.:** **US D934,585 S**
Li (45) **Date of Patent:** **** Nov. 2, 2021**

- (54) **CHAIR**
- (71) Applicant: **Homy Casa Limited**, Hong Kong (HK)
- (72) Inventor: **YueHai Li**, Guangzhou (CN)
- (73) Assignee: **HOMY CASA LIMITED**, Hong Kong (HK)
- (**) Term: **15 Years**
- (21) Appl. No.: **29/697,612**
- (22) Filed: **Jul. 10, 2019**
- (51) **LOC (13) Cl.** **06-01**
- (52) **U.S. Cl.**
USPC **D6/366**
- (58) **Field of Classification Search**
USPC D6/334-336, 356, 364, 365, 366, 367,
D6/374, 375, 379, 380, 716, 716.1, 716.3,
D6/716.4
CPC A47C 4/028; A47C 7/004; A47C 7/006;
A47C 7/18; A47C 7/24; A47C 7/38;
A47C 7/40; B60N 2/02; B60N 2/20;
B60N 2/22; B60N 2/58
See application file for complete search history.

D856,696 S *	8/2019	Shen	D6/366
D856,697 S *	8/2019	Shen	D6/366
D856,698 S *	8/2019	Shen	D6/366
D885,779 S *	6/2020	Li	D6/366

OTHER PUBLICATIONS

Furniwell Gaming Chair Sracer PC Racing Chair Computer Desk Chair PU Leather Executive Ergonomic Swivel Chair with Headrest and Lumbar Support, from furniwell.com, Retrieved Date Mar. 6, 2021, from https://furniwell.com/products/furniwell-ergonomics-gaming-chair?variant=37671926792359¤cy=USD&utm_medium=product_sync&utm_source=google&utm_content=sag_organic&utm_campaign=sag_organic (Year: 2021).*

* cited by examiner

Primary Examiner — Mimosa De

(74) *Attorney, Agent, or Firm* — Hauptman Ham, LLP

(57) **CLAIM**

The ornamental design for a chair, as shown and described.

DESCRIPTION

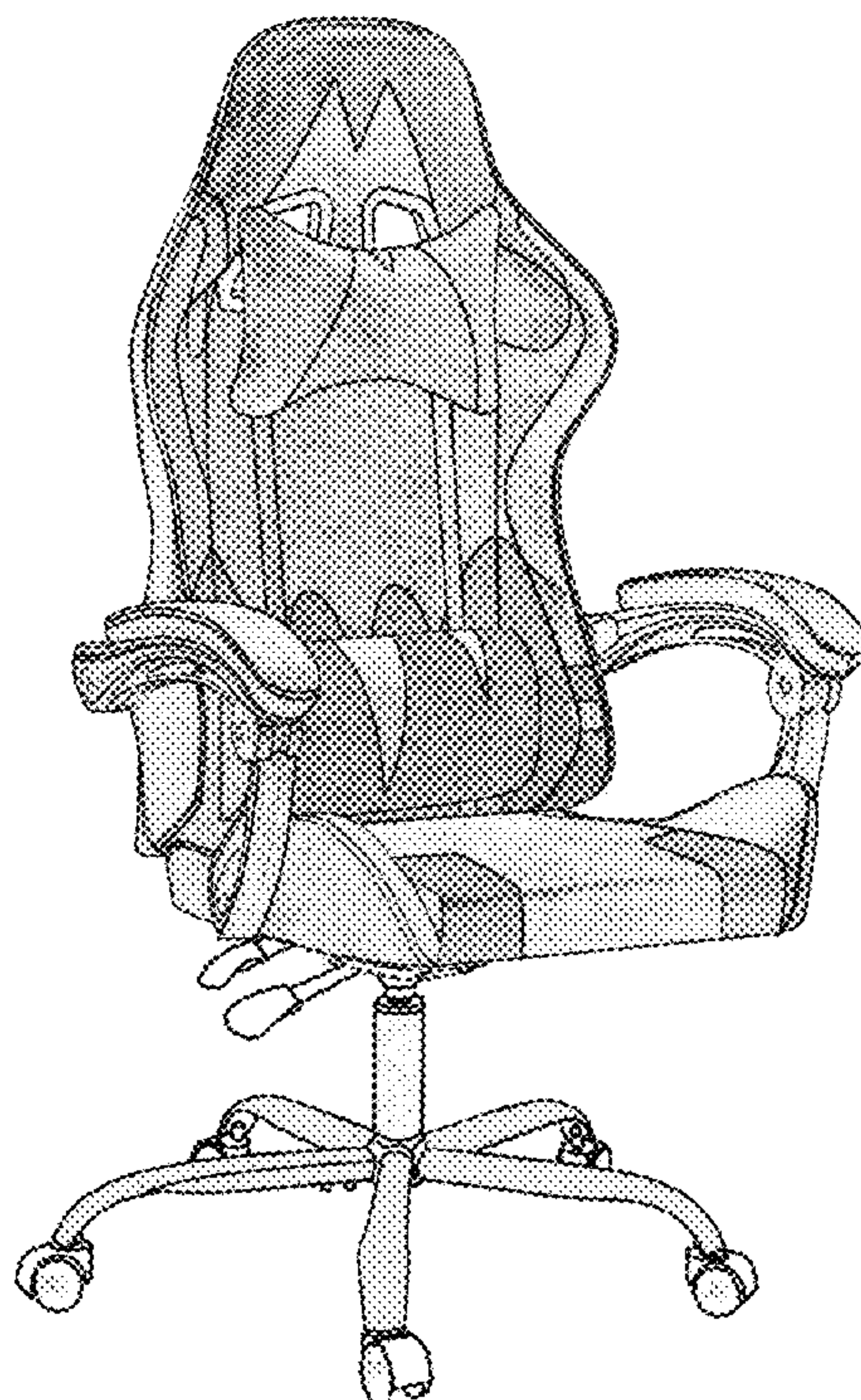
FIG. 1 is a front view of a chair bearing the design. FIG. 2 is a back view of the chair of FIG. 1. FIG. 3 is a left side view of the chair of FIG. 1. FIG. 4 is a right side view of the chair of FIG. 1. FIG. 5 is a top view of the chair of FIG. 1. FIG. 6 is a bottom view of the chair of FIG. 1; and, FIG. 7 is a perspective view of the chair of FIG. 1. The broken lines show portions of the chair that form no part of the claim.

1 Claim, 7 Drawing Sheets

(56) **References Cited**

U.S. PATENT DOCUMENTS

D317,534 S *	6/1991	Hansel	D6/356
D549,475 S *	8/2007	Su	D6/356
D851,435 S *	6/2019	Shen	D6/716
D851,436 S *	6/2019	Shen	D6/716
D851,974 S *	6/2019	Shen	D6/716
D852,563 S *	7/2019	Shen	D6/716



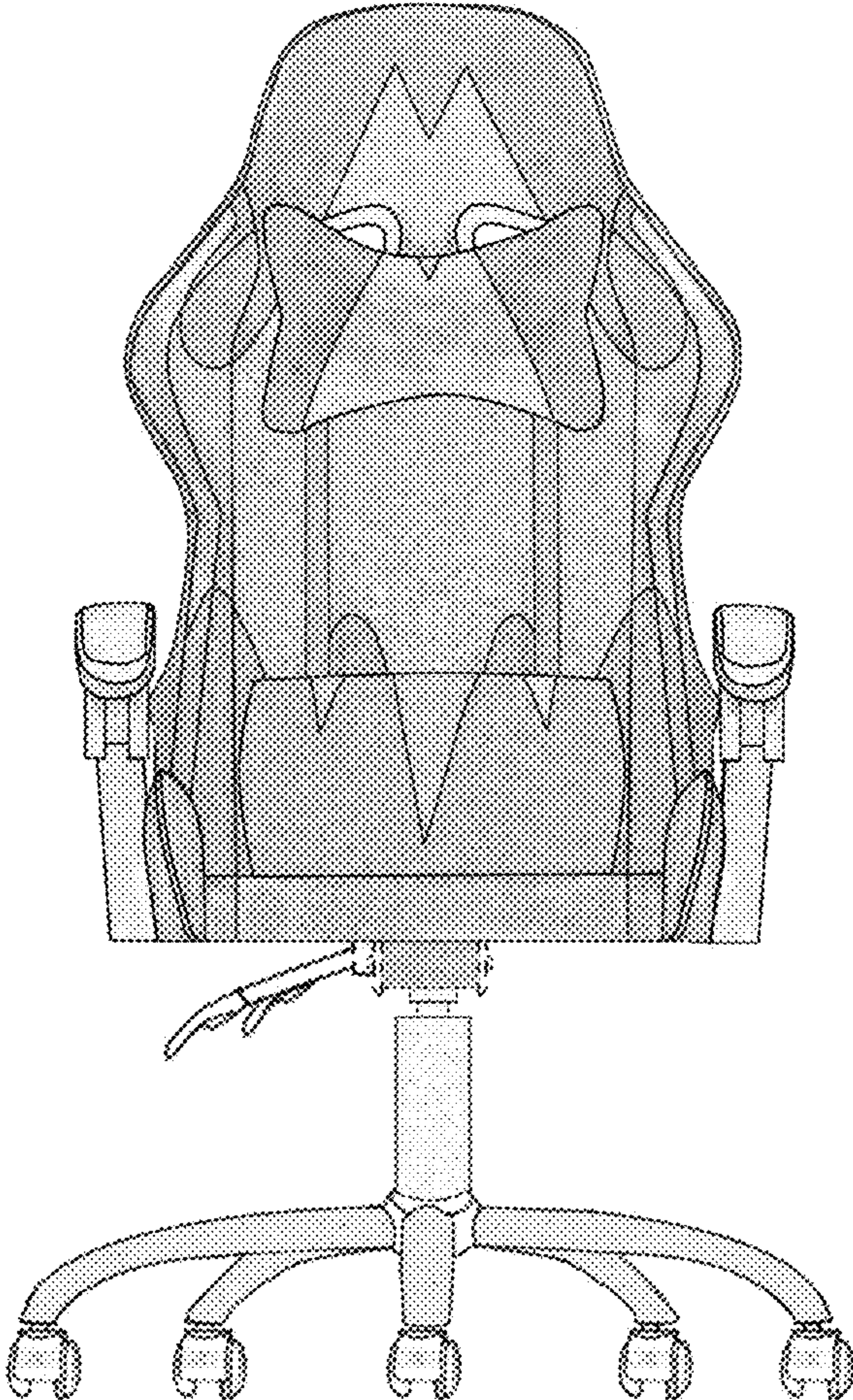


Fig. 1

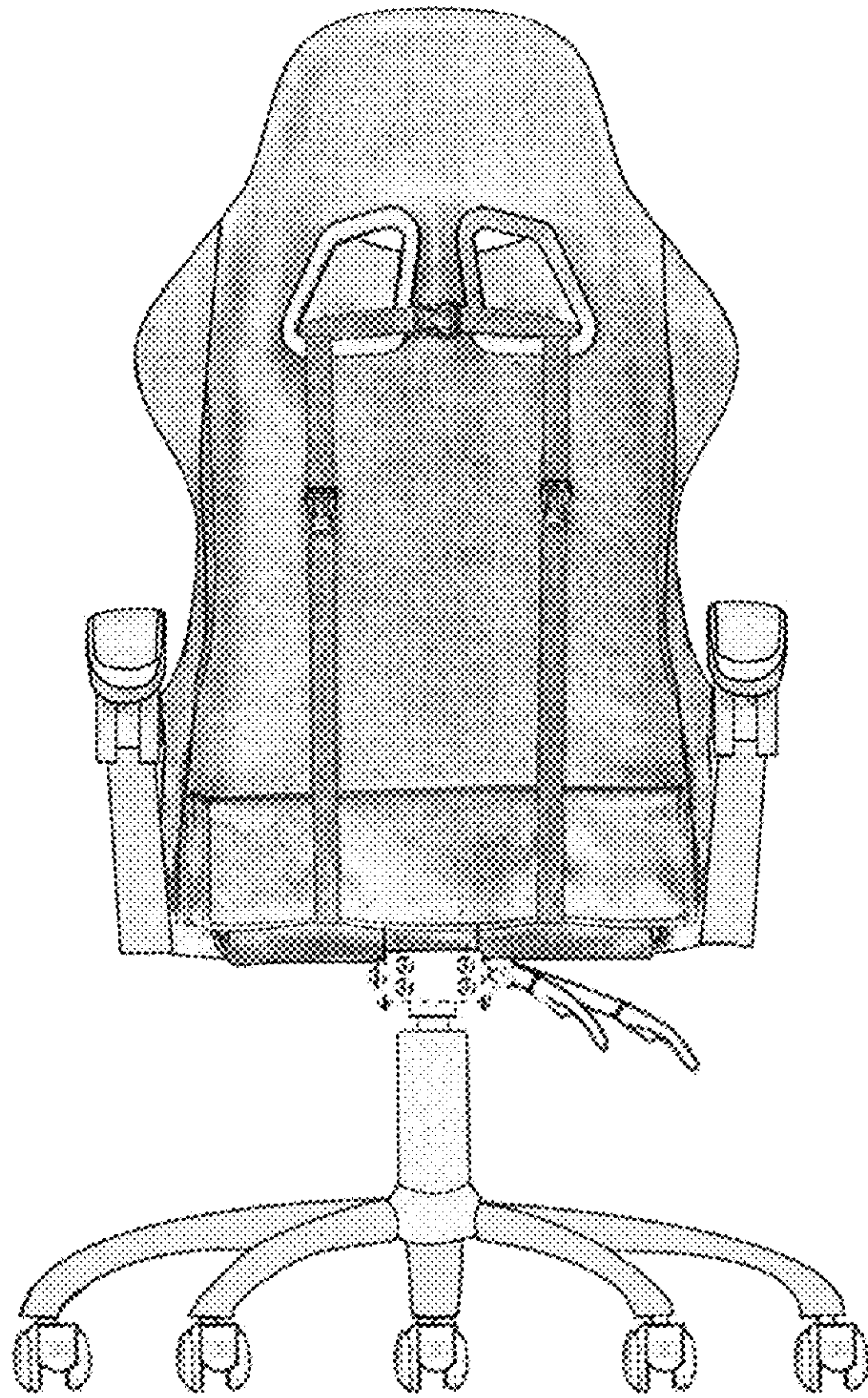


Fig. 2

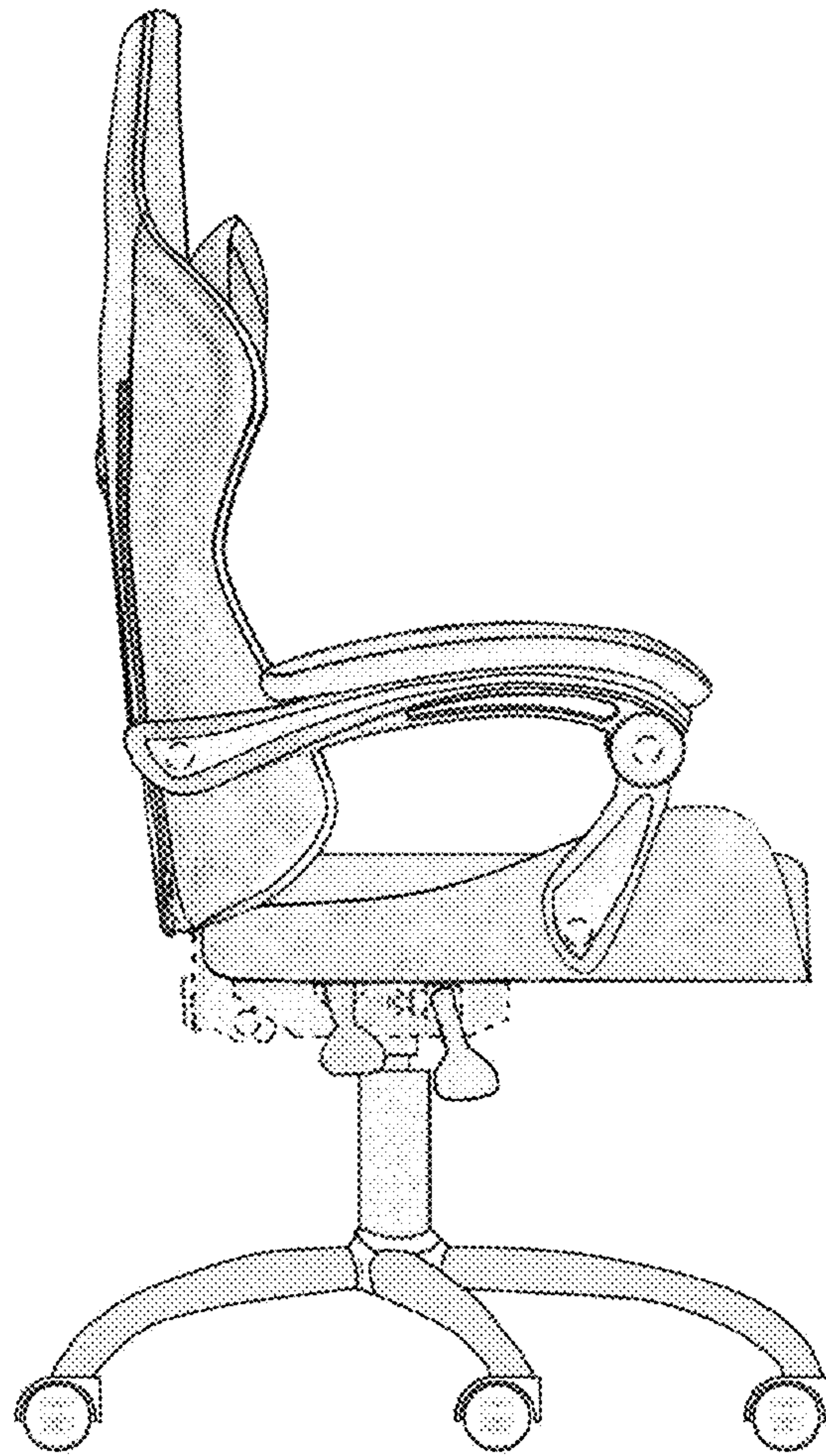


Fig. 3

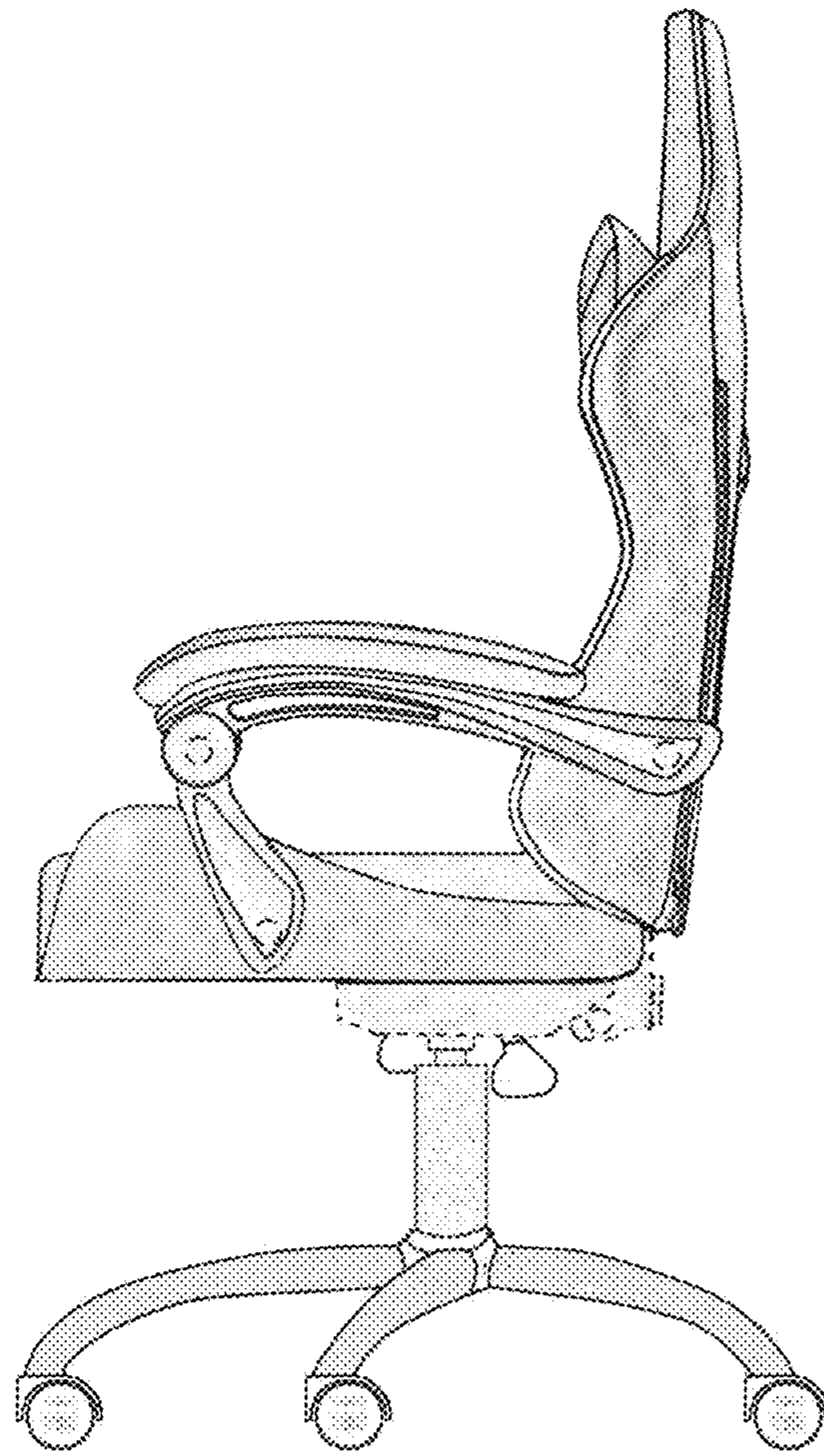


Fig. 4

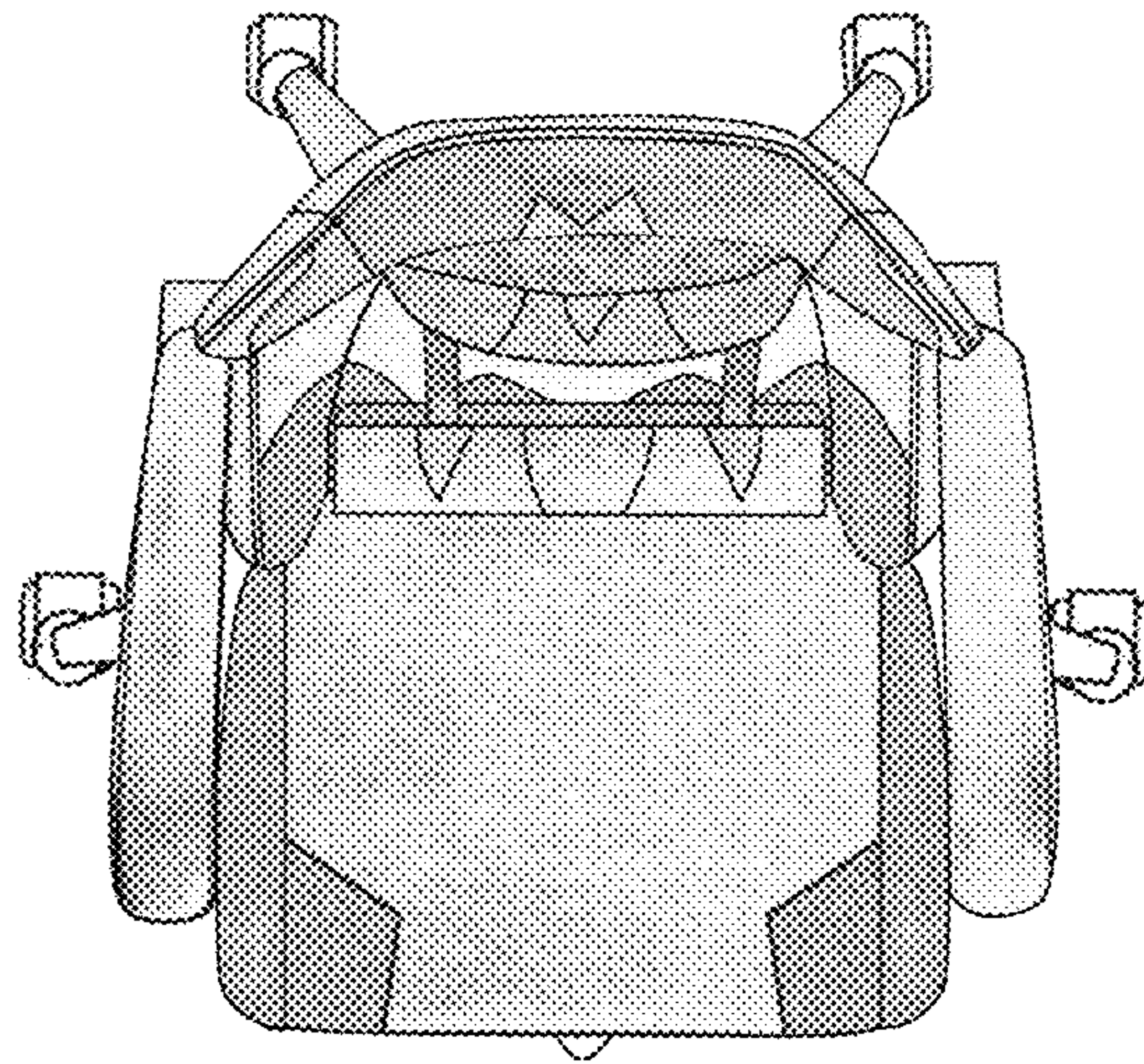


Fig. 5

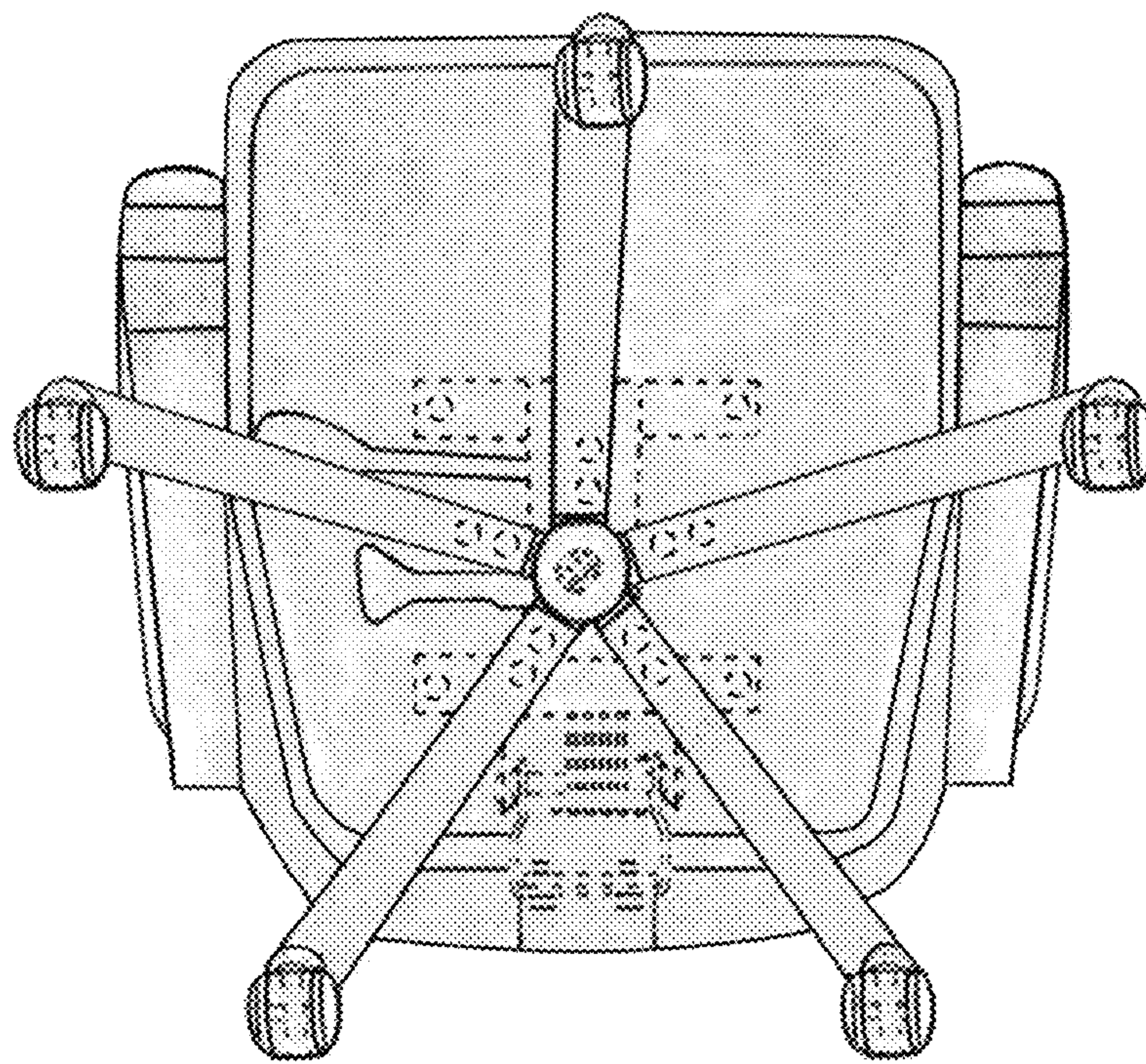


Fig. 6

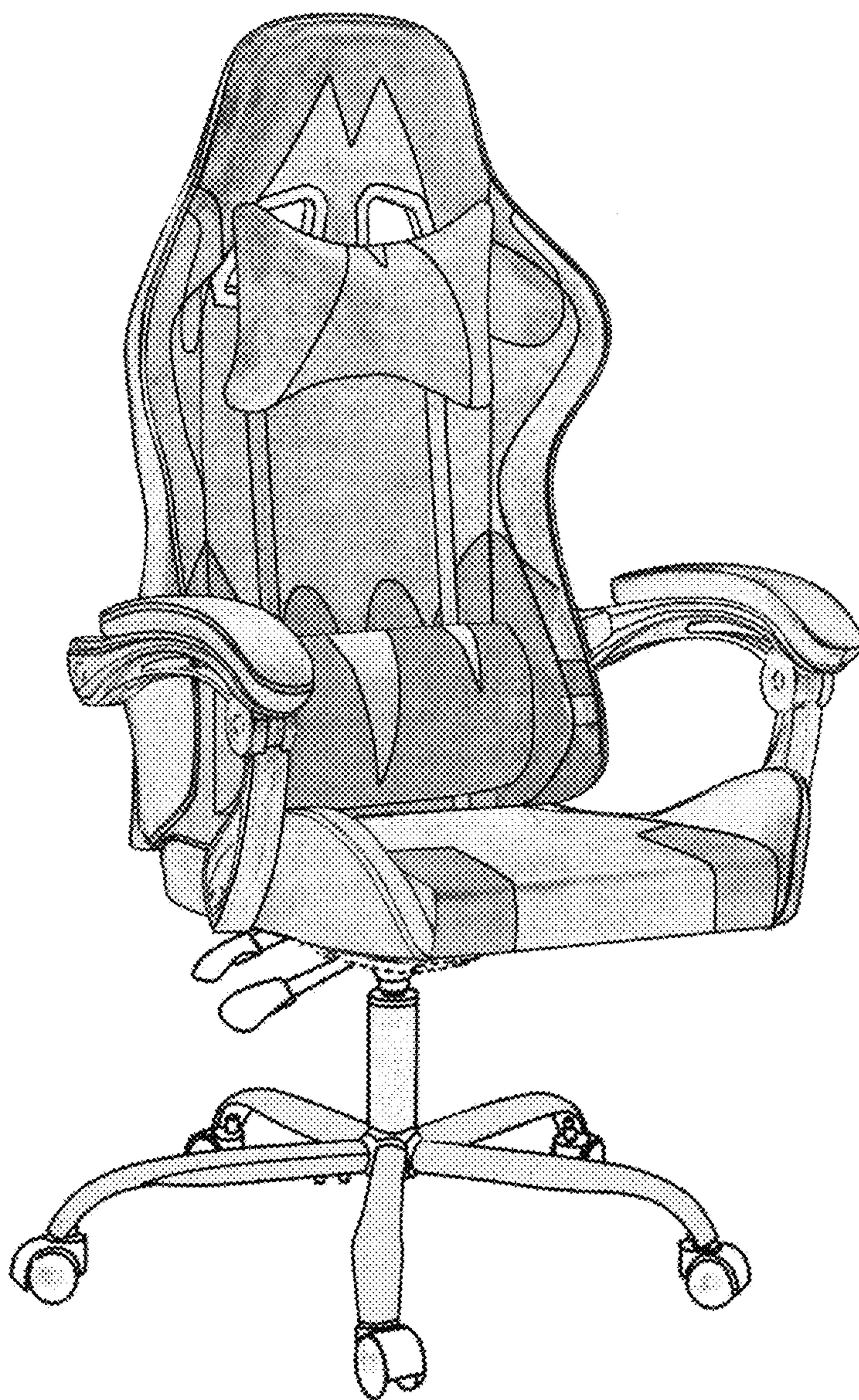


Fig. 7