



US00D934584S

(12) **United States Design Patent** (10) **Patent No.:** **US D934,584 S**
Citterio (45) **Date of Patent:** **** Nov. 2, 2021**

(54) **STOOL**
(71) Applicant: **B&B Italia S.p.A.**, Milan (IT)
(72) Inventor: **Antonio Citterio**, Novedrate (IT)
(73) Assignee: **B&B ITALIA S.P.A.**, Milan (IT)
(**) Term: **15 Years**

D885,811 S * 6/2020 Gam D6/692
D890,556 S * 7/2020 Hay D6/692
D891,796 S * 8/2020 Li D6/349
D891,800 S * 8/2020 Li D6/360
D891,806 S * 8/2020 Li D6/375
D893,904 S * 8/2020 Gfesser D6/360
D894,624 S * 9/2020 Gfesser D6/360
D895,991 S * 9/2020 Dardashti D6/360
D897,704 S * 10/2020 Giotti D6/360
D899,829 S * 10/2020 Liang D6/686
D899,830 S * 10/2020 Parikh D6/692.5

(21) Appl. No.: **29/708,139**
(22) Filed: **Oct. 3, 2019**

(30) **Foreign Application Priority Data**

Apr. 5, 2019 (IT) 402019000000696

(51) **LOC (13) Cl.** **06-01**

(52) **U.S. Cl.**
USPC **D6/360**

(58) **Field of Classification Search**
USPC D6/334-338, 340-343, 349-353, 355,
D6/364-365, 372, 374, 691-691.1,
D6/692-692.6, 716-716.1; D25/63, 65
CPC A47B 7/00-02; A47C 11/00; A47C 12/00;
A47C 13/00; A47C 16/00; A47C
16/02-04; A47C 9/00-105; A47K 17/02;
A47K 17/028

See application file for complete search history.

(56) **References Cited**

U.S. PATENT DOCUMENTS

D807,091 S * 1/2018 Morrison D6/716
D811,761 S * 3/2018 Morrison D6/352
D814,203 S * 4/2018 Liu D6/360
D861,402 S * 10/2019 Ramos D6/692
D869,190 S * 12/2019 Lievore D6/375
D876,850 S * 3/2020 Barber D6/352
D877,549 S * 3/2020 Lipparini D6/692

OTHER PUBLICATIONS

Upholstering a Round Foot Stool, [online] Retrieved Nov. 17, 2020 from URL: <https://kimsupholstery.com/upholstery-classes/upholstering-round-foot-stool/>.*

* cited by examiner

Primary Examiner — Vy N Koenig
(74) *Attorney, Agent, or Firm* — Thomas | Horstemeyer, LLP

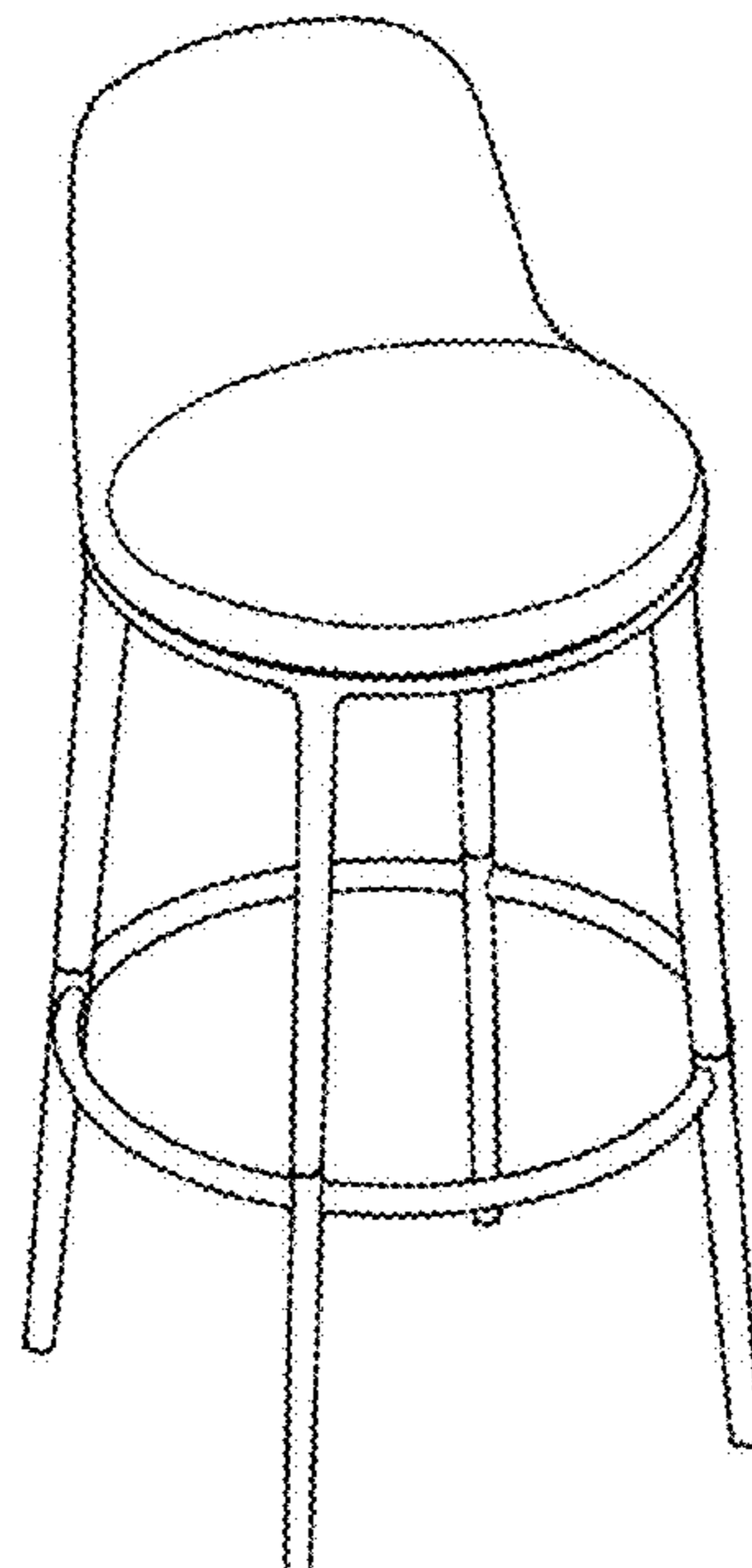
(57) **CLAIM**

The ornamental design for a stool, as shown and described.

DESCRIPTION

FIG. 1 is a top perspective view of a stool, showing my new design;
FIG. 2 is a bottom perspective view thereof;
FIG. 3 is a front view thereof;
FIG. 4 is a rear view thereof;
FIG. 5 is a side view thereof;
FIG. 6 is a side view thereof, from a side opposite that of FIG. 5;
FIG. 7 is a top view thereof; and,
FIG. 8 is a bottom view thereof.

1 Claim, 8 Drawing Sheets



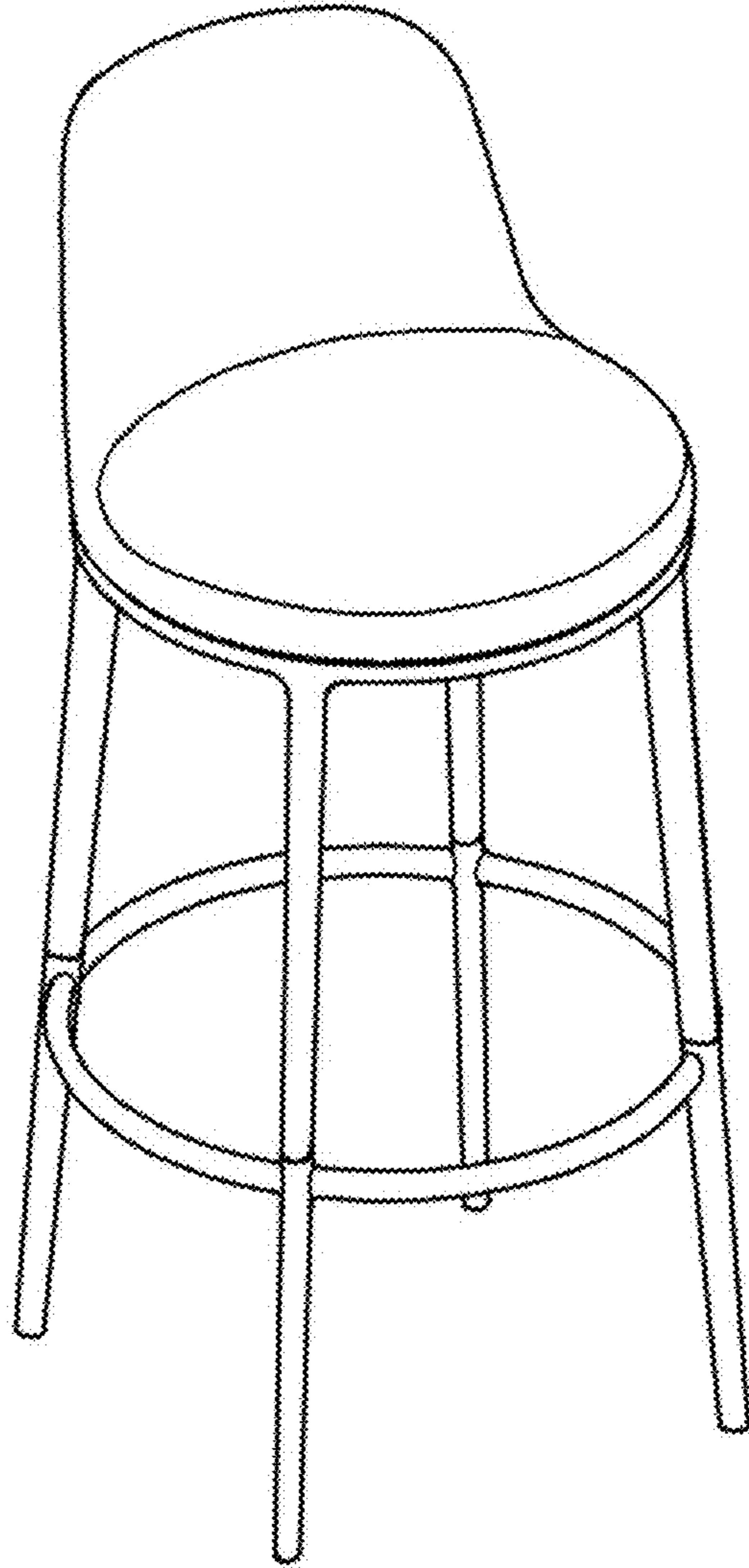


FIG. 1

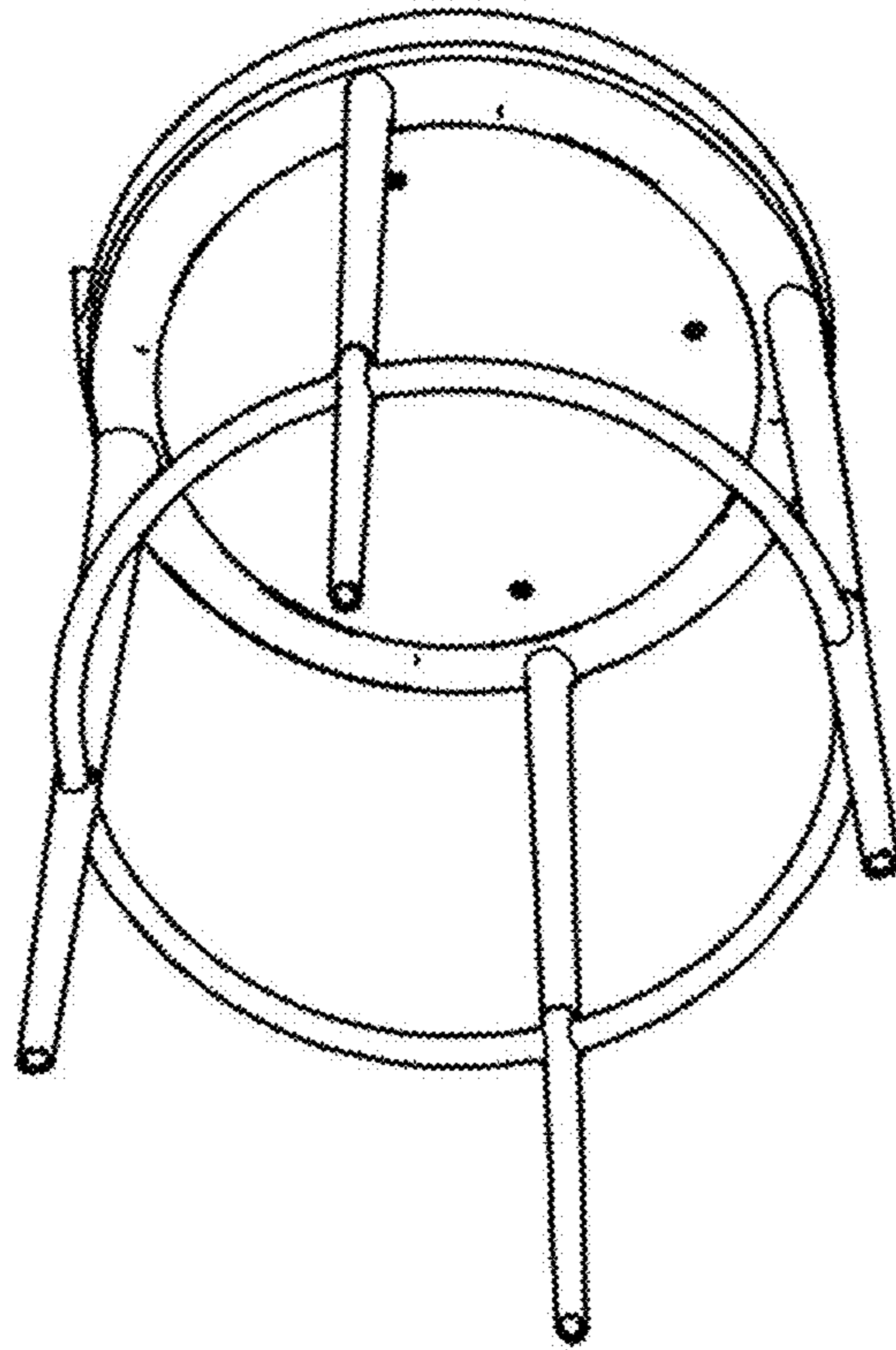


FIG. 2

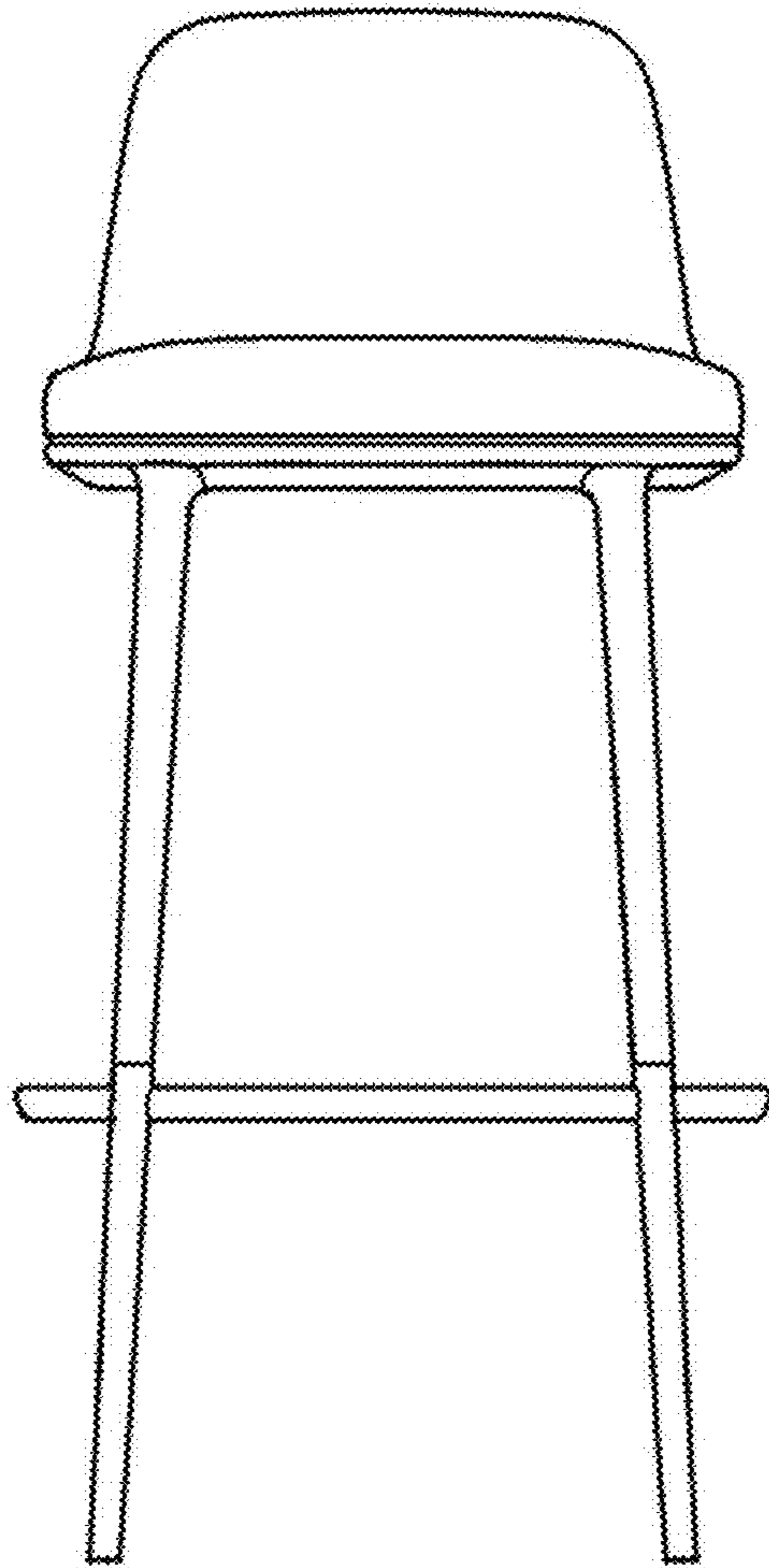


FIG. 3

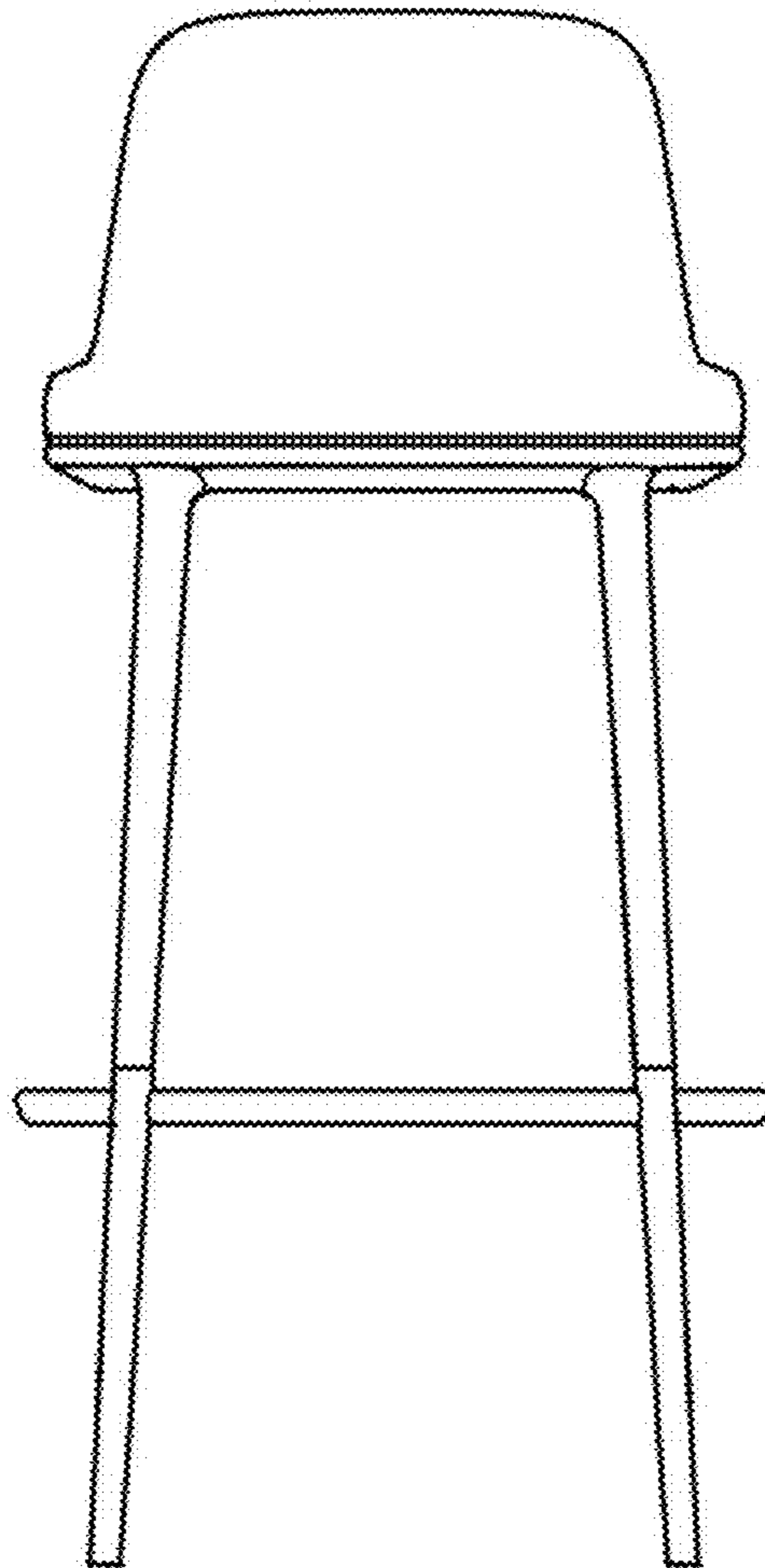


FIG. 4

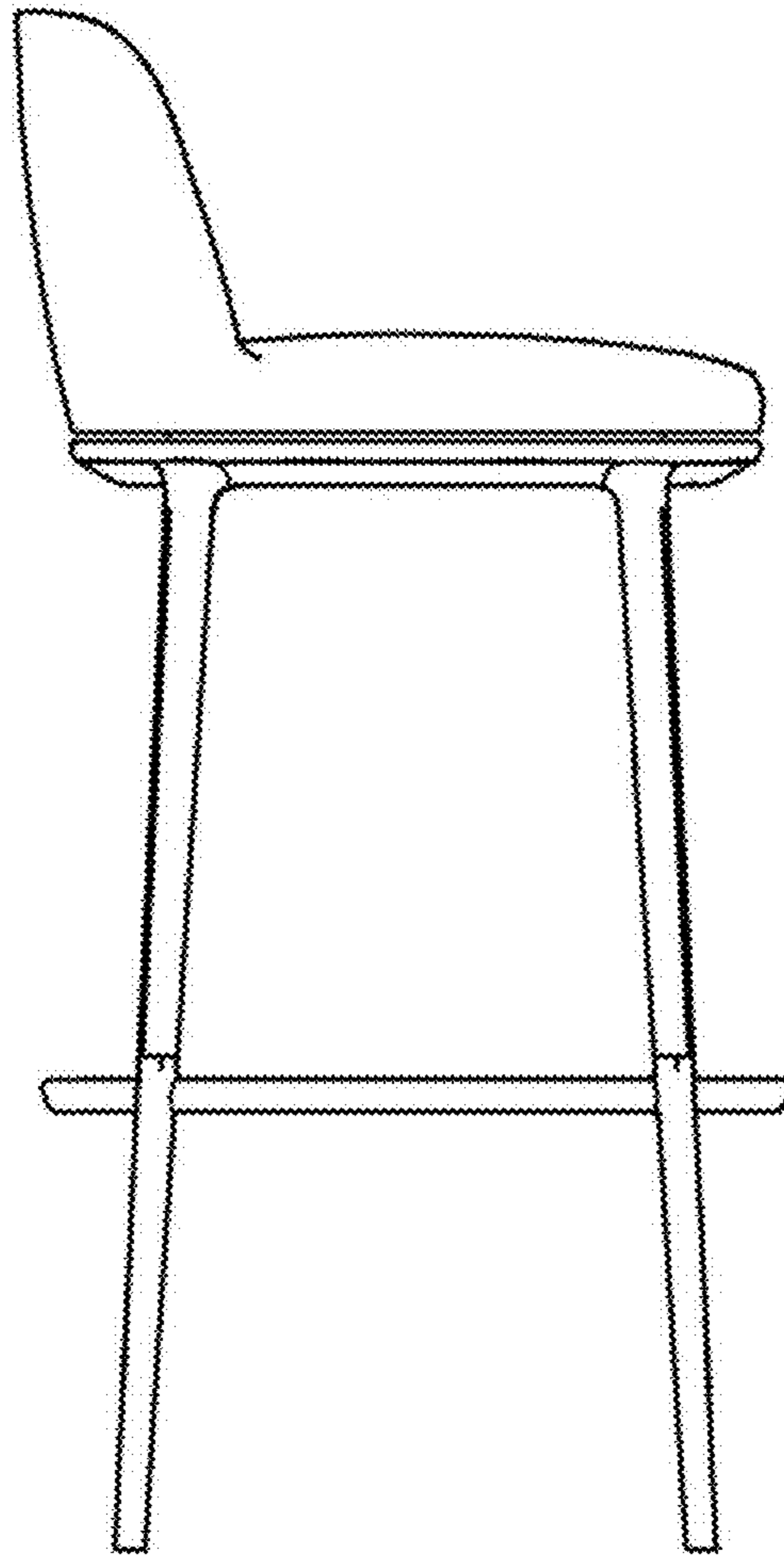


FIG. 5

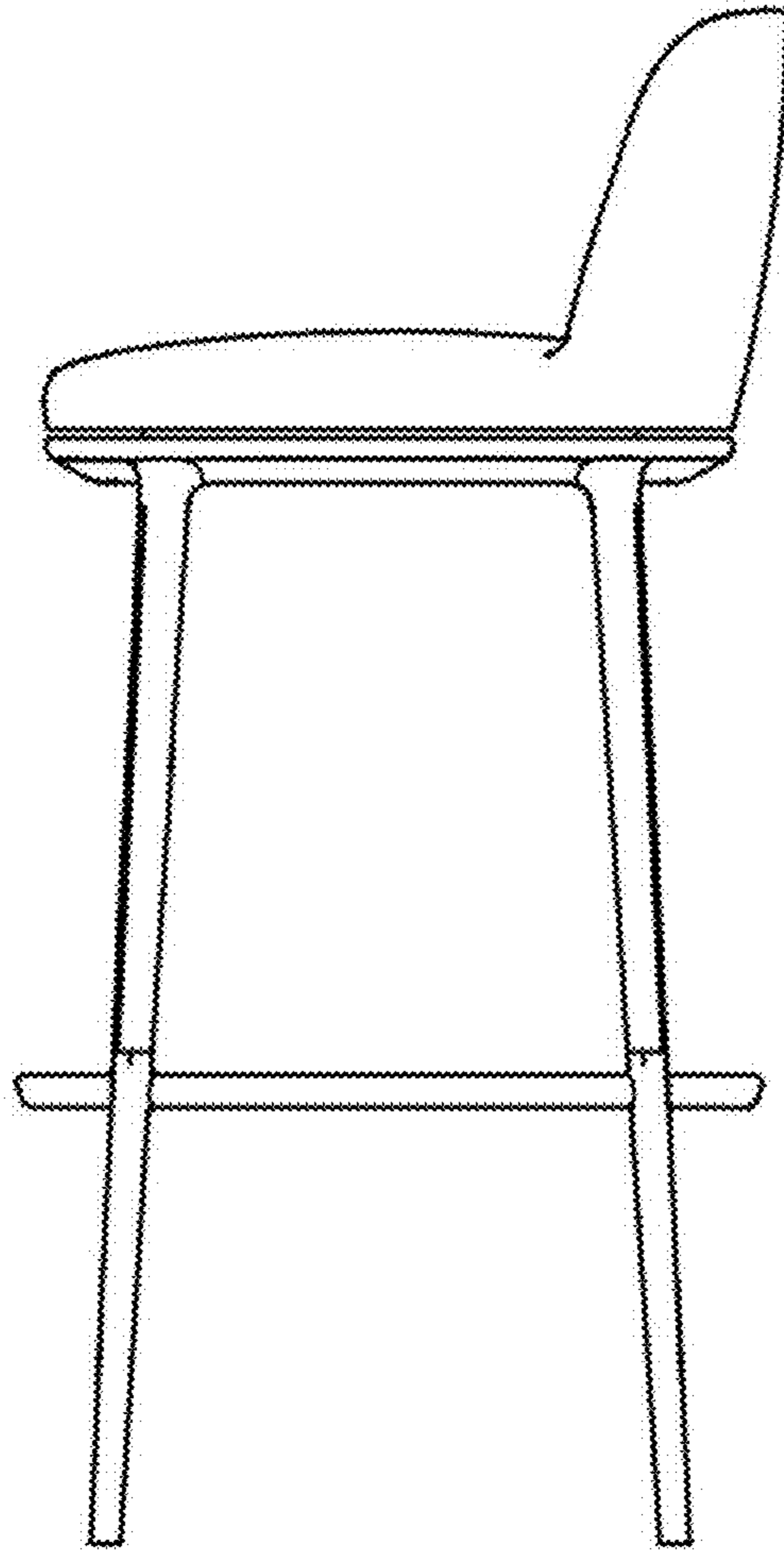


FIG. 6

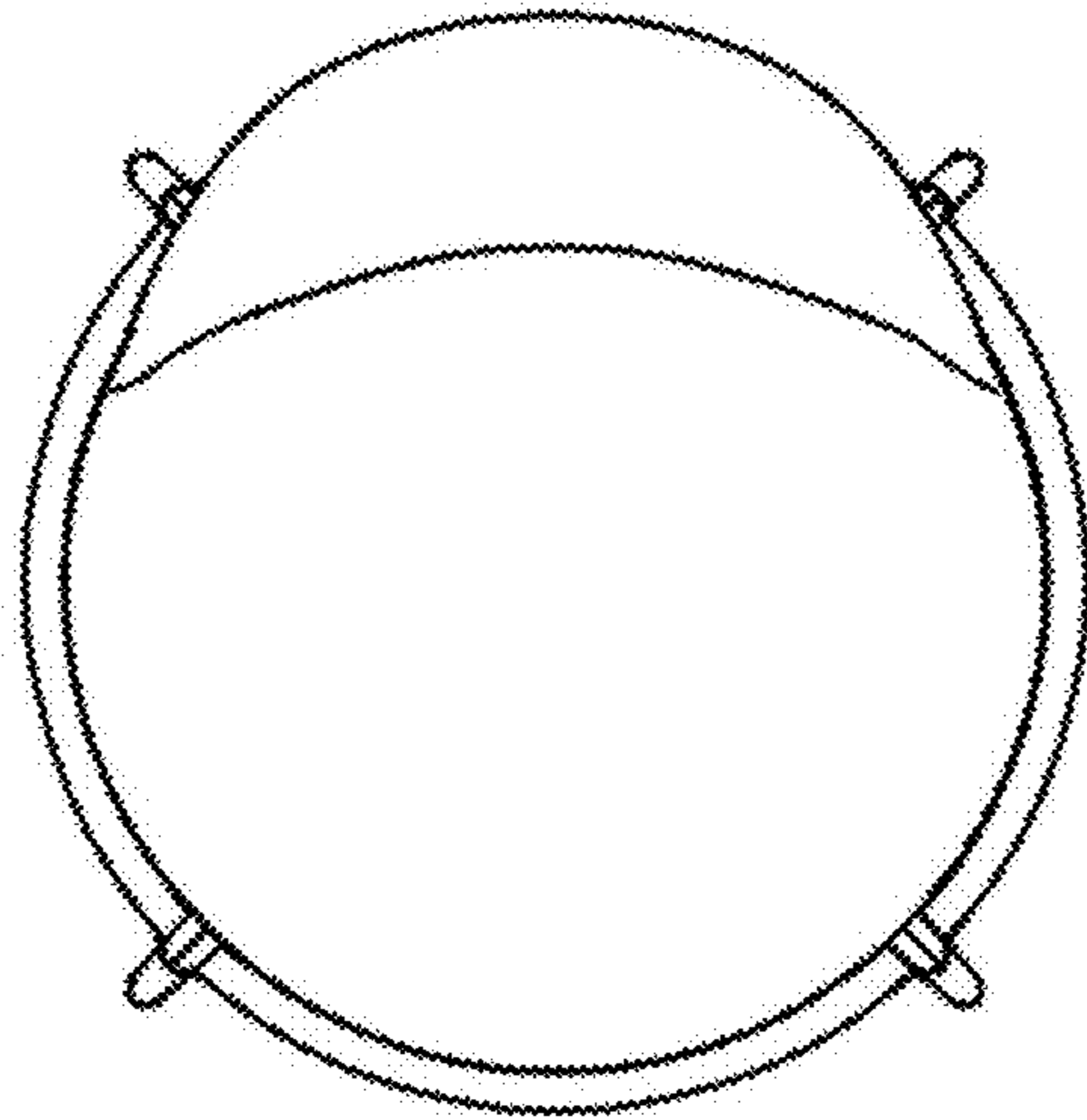


FIG. 7

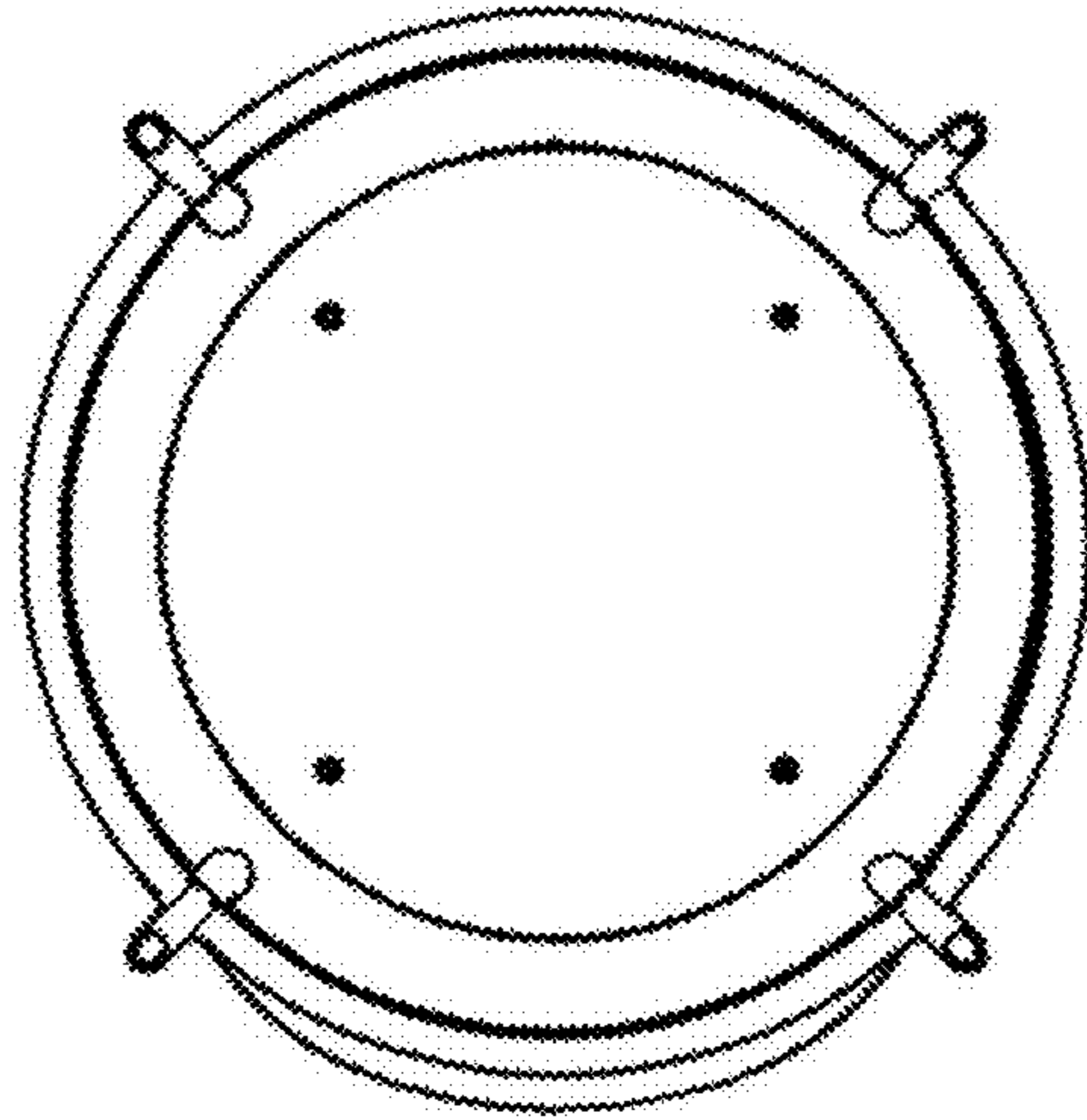


FIG. 8