



US00D934583S

(12) **United States Design Patent** (10) **Patent No.:** **US D934,583 S**
Marsden (45) **Date of Patent:** **** *Nov. 2, 2021**

(54) **STEP STOOL**
(71) Applicant: **Elbee Pty Ltd.**, Bondi Junction (AU)
(72) Inventor: **Andrew Marsden**, Hingham, MA (US)
(73) Assignee: **Elbee Pty Ltd.**, Bondi Junction (AU)

(*) Notice: This patent is subject to a terminal disclaimer.

(**) Term: **15 Years**

(21) Appl. No.: **29/724,955**

(22) Filed: **Feb. 20, 2020**

(51) **LOC (13) Cl.** **06-01**

(52) **U.S. Cl.**
USPC **D6/350**; D25/65

(58) **Field of Classification Search**
USPC D6/334–338, 340–343, 349–353, 355,
D6/364–365, 691–691.9, 692–692.6,
D6/716–716.1; D25/65
CPC A47B 7/00–02; A47C 11/00; A47C 12/00;
A47C 13/00; A47C 16/00; A47C
16/02–04; A47C 9/00–105; A47K 17/02;
A47K 17/028

See application file for complete search history.

(56) **References Cited**

U.S. PATENT DOCUMENTS

D307,800 S * 5/1990 Hradisky D25/65
D320,702 S * 10/1991 Dewing D6/349
5,094,505 A * 3/1992 Nichols A47C 12/02
182/33.3
D335,966 S * 6/1993 Schwartzkopf D6/349
D351,476 S * 10/1994 Grosfillex D25/63
D414,566 S * 9/1999 Gibson D25/65
D429,038 S * 8/2000 Forester D30/119
D443,072 S * 5/2001 Schultz D25/65
D449,386 S * 10/2001 Cheris D25/65

D563,685 S * 3/2008 Adams D6/350
D597,684 S * 8/2009 Genova D25/63
10,368,638 B2 * 8/2019 Hui A47B 83/02
D865,386 S * 11/2019 Sphikas D6/350
10,758,055 B2 * 9/2020 Whalen A47C 16/025
2008/0257280 A1 10/2008 Jakubowski et al.
2015/0359390 A1 12/2015 Goetz

OTHER PUBLICATIONS

Two-Step Plastic Step Stool. [online] Retrieved Nov. 17, 2020 from URL: <https://www.menards.com/main/paint/ladders-scaffolding/step-stools-step-ladders/two-step-plastic-step-stool-250-lb-max/41309/p-4364363663400790.htm>.
Top 5 Best Plastic Step Stool Review in 2020. [online] Retrieved Nov. 17, 2020 from URL: <https://greathomedepot.com/plastic-step-stool/>.

(Continued)

Primary Examiner — Vy N Koenig
(74) *Attorney, Agent, or Firm* — Wolf, Greenfield & Sacks, P.C.

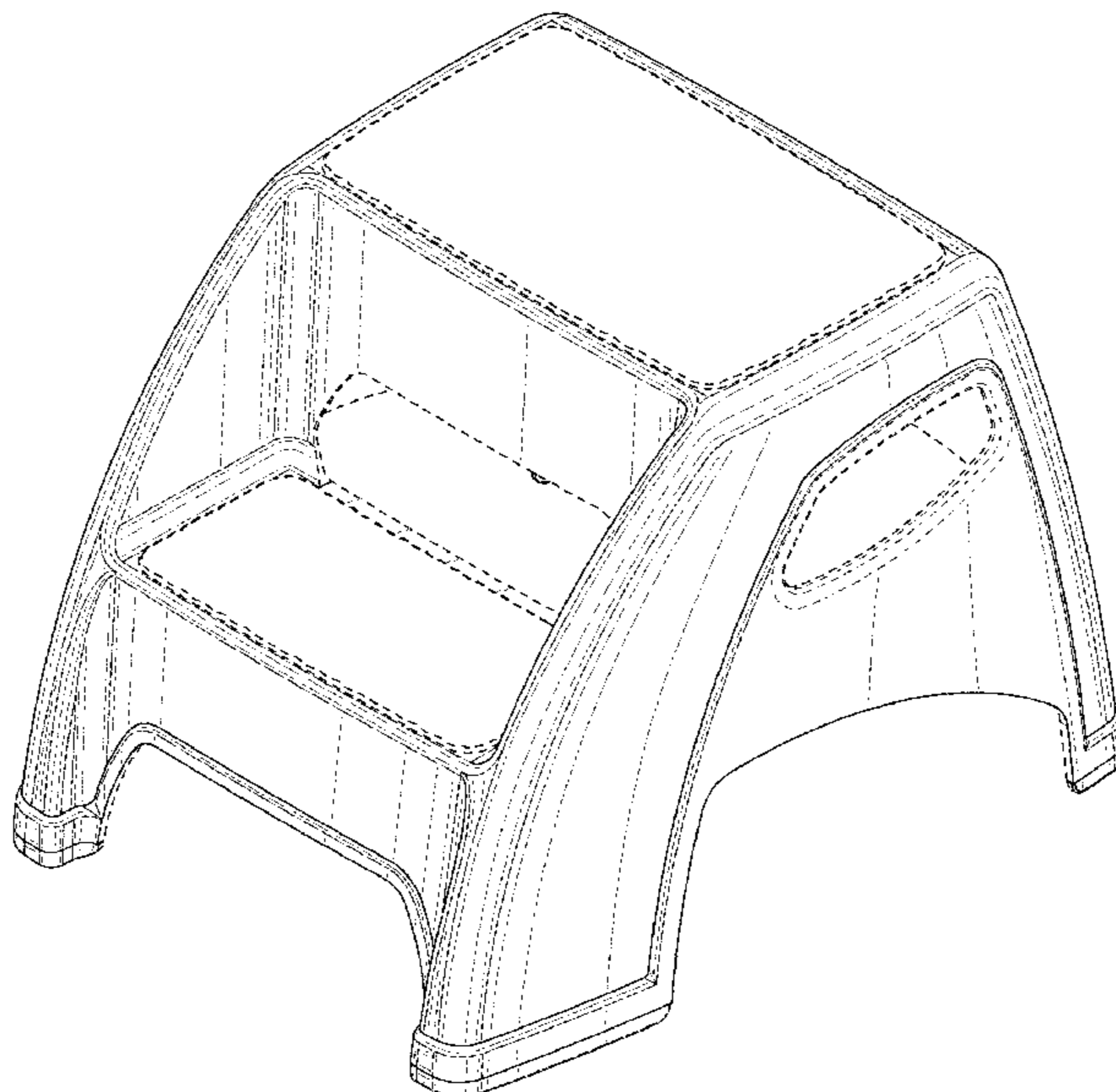
(57) **CLAIM**

The ornamental design for a step stool, as shown and described.

DESCRIPTION

FIG. 1 is a top, front, and right side perspective view of a step stool according to my new design; FIG. 2 is a top, front, and left side perspective view thereof; FIG. 3 is a front elevation view thereof; FIG. 4 is a rear elevation view thereof; FIG. 5 is a left side elevation view thereof; FIG. 6 is a right side elevation view thereof; FIG. 7 is a top plan view thereof; and, FIG. 8 is a bottom plan view thereof. The broken lines depict portions of the step stool that form no part of the claimed design.

1 Claim, 8 Drawing Sheets



(56)

References Cited

OTHER PUBLICATIONS

[No Author Listed] Dreambaby Step Stool. Publicly available prior to Feb. 20, 2019. 1 page.

[No Author Listed] Dreambaby Two-Step Stool. Publicly available prior to Feb. 20, 2019. 1 page.

[No Author Listed] Handy Home Step Stool. Publicly available prior to Sep. 13, 2019, 1 page.

[No Author Listed] Prince Lionheart Uppy2 Step Stool. Publicly available prior to Sep. 13, 2019, 1 page.

[No Author Listed] Rubbermaid Step Stool. Publicly available prior to Sep. 13, 2019, 1 page.

[No Author Listed] Step Stool A. Publicly available prior to Sep. 13, 2019, 1 page.

[No Author Listed] Step Stool B. Publicly available prior to Sep. 13, 2019, 1 page.

[No Author Listed] Step Stool C. Publicly available prior to Sep. 13, 2019, 1 page.

* cited by examiner

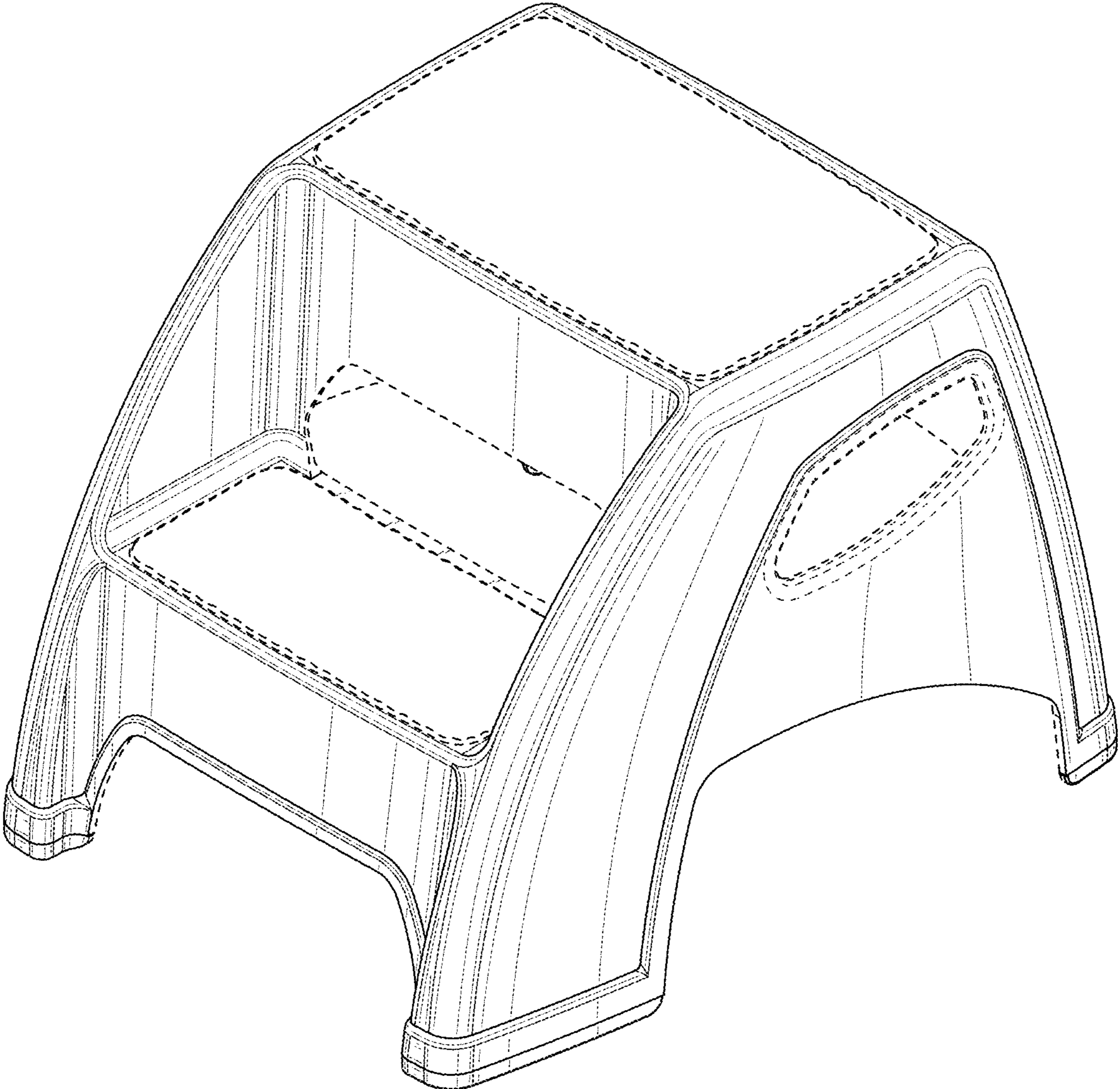


FIG. 1

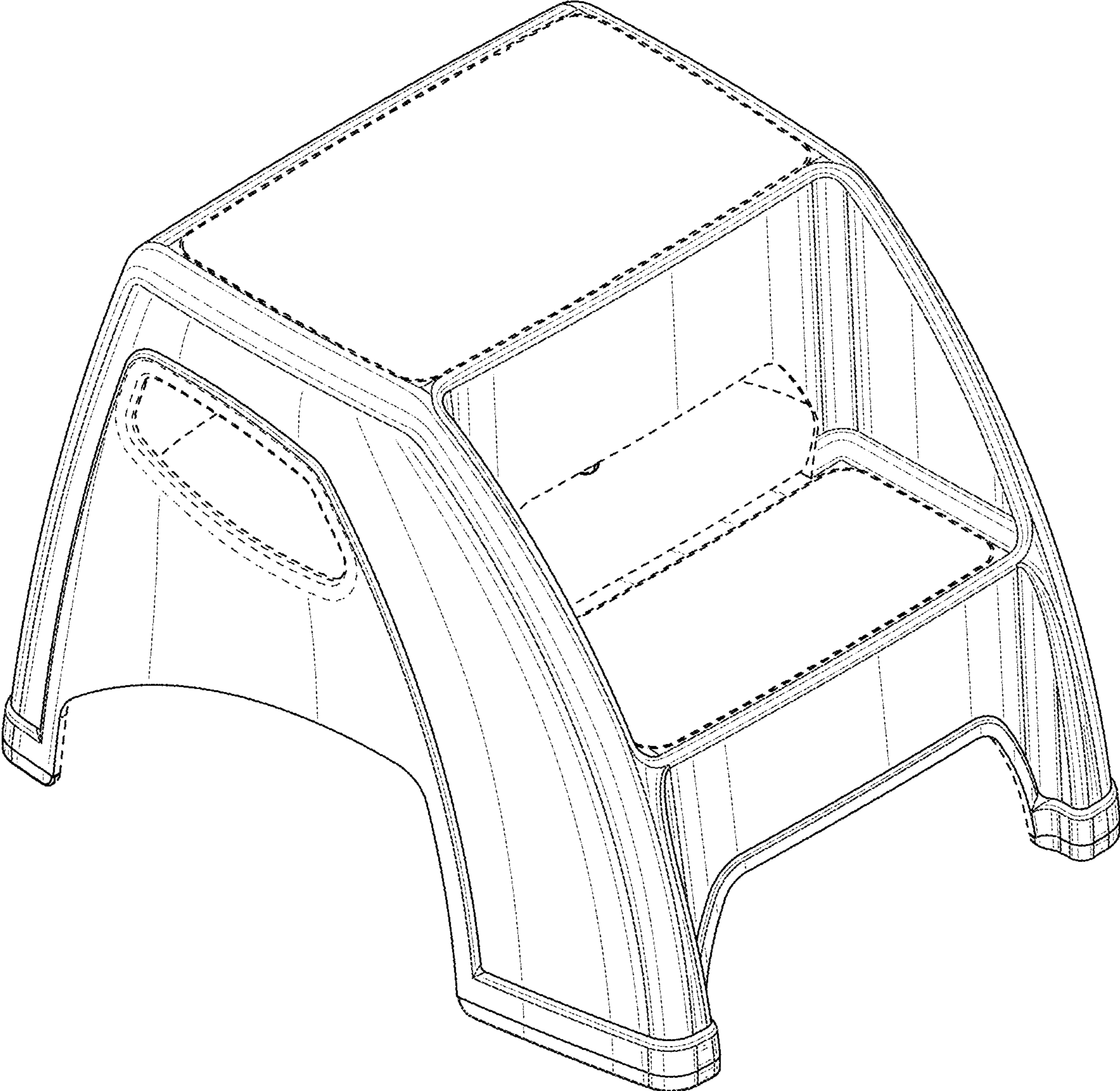


FIG. 2

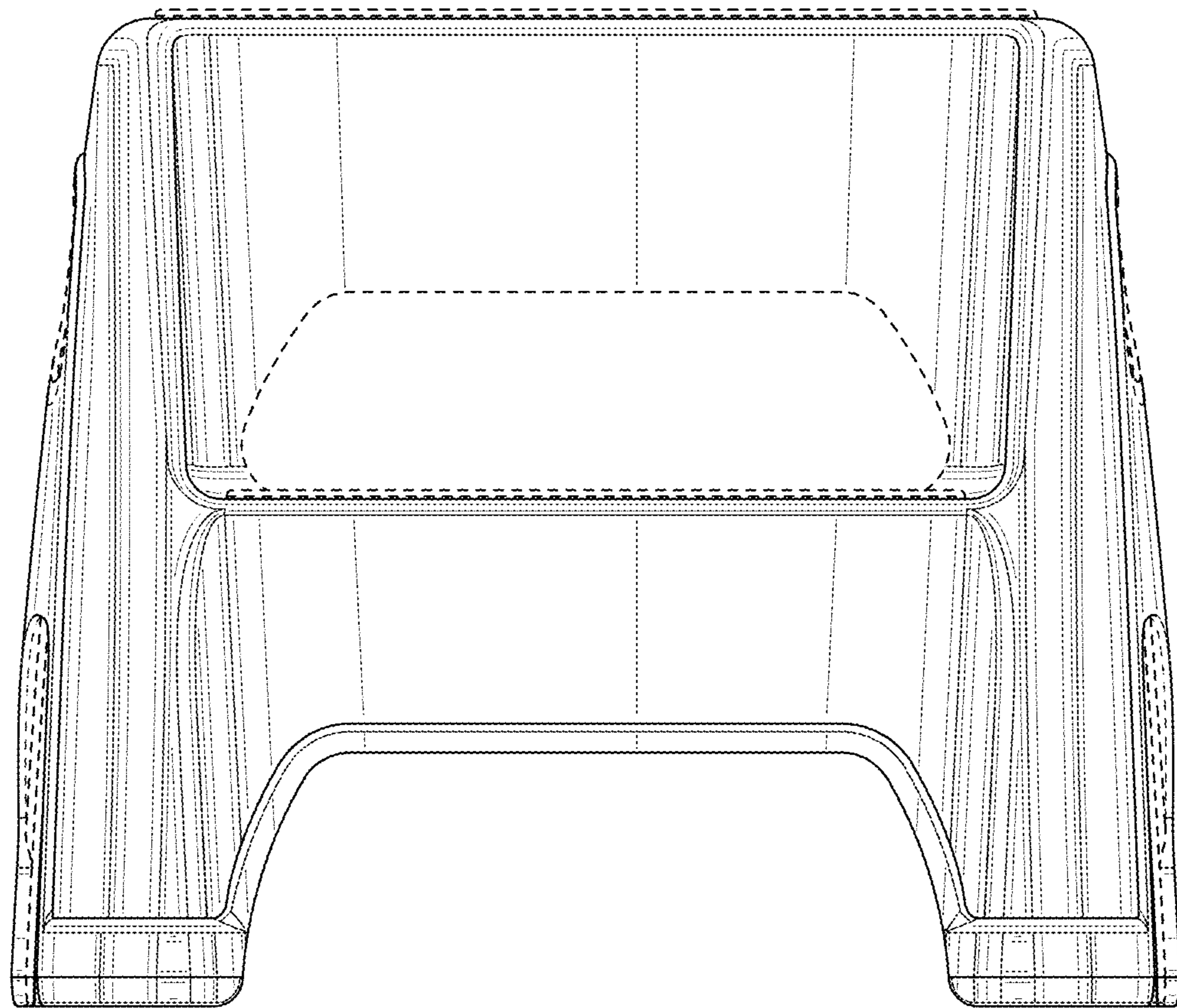


FIG. 3

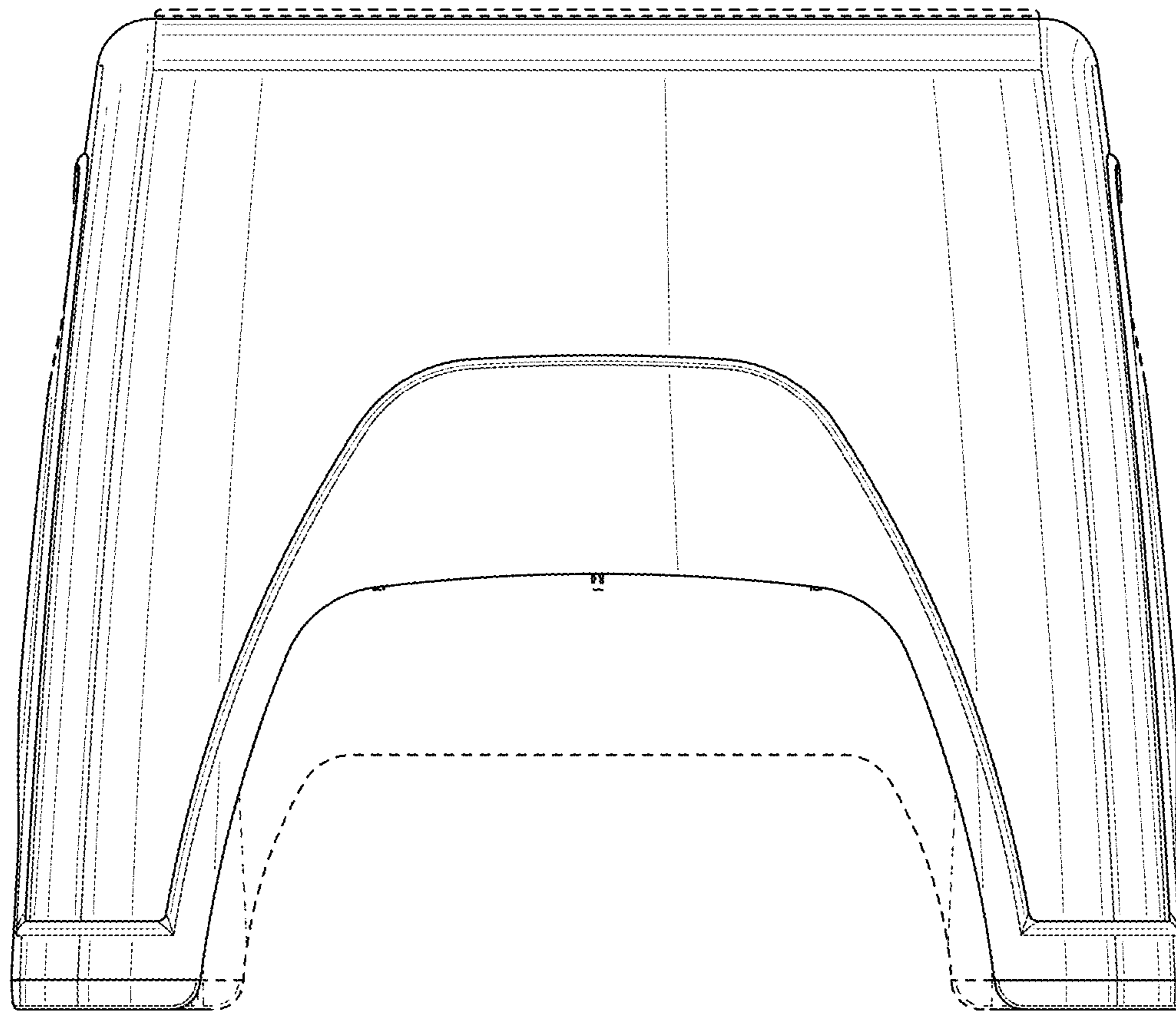


FIG. 4

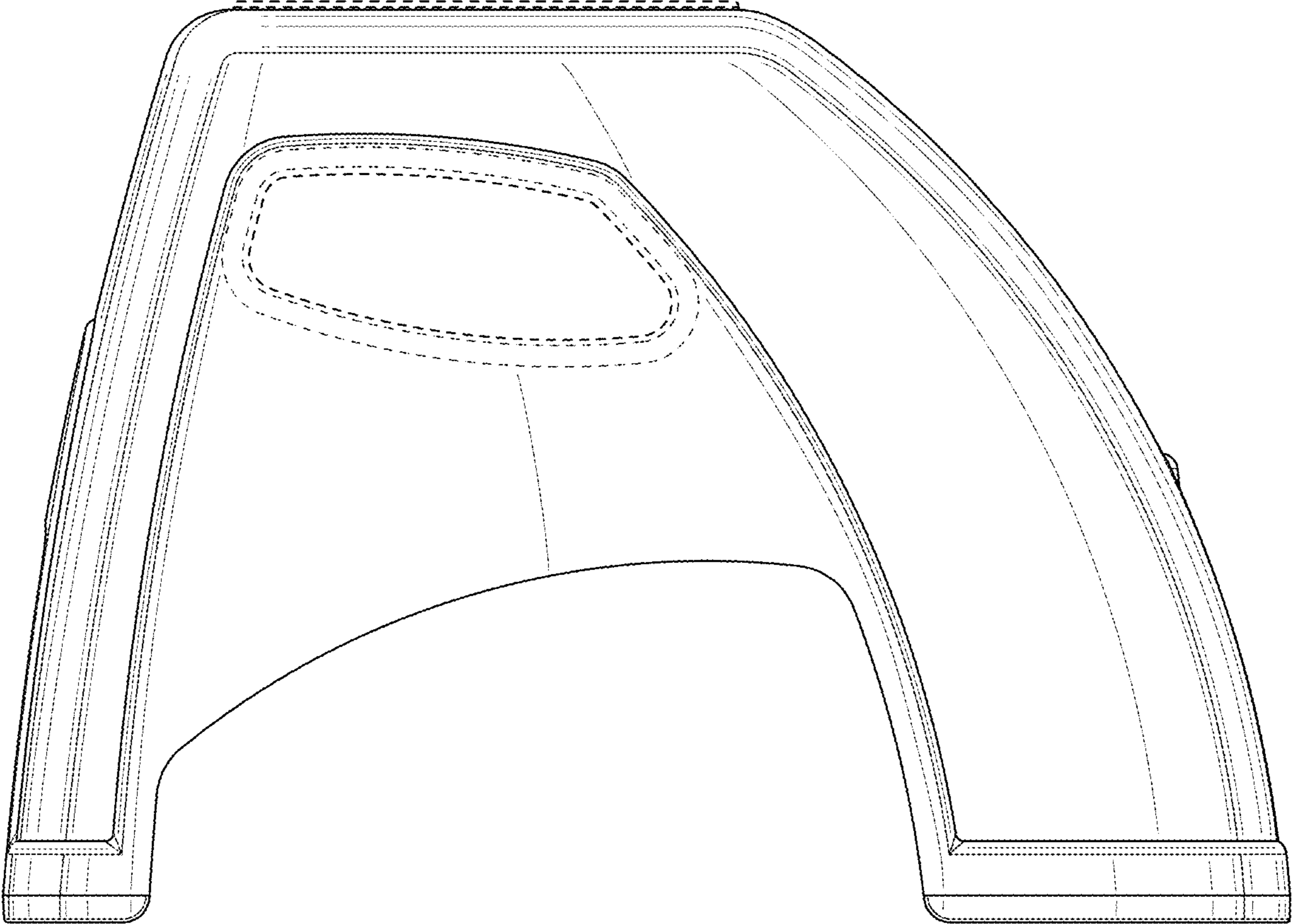


FIG. 5

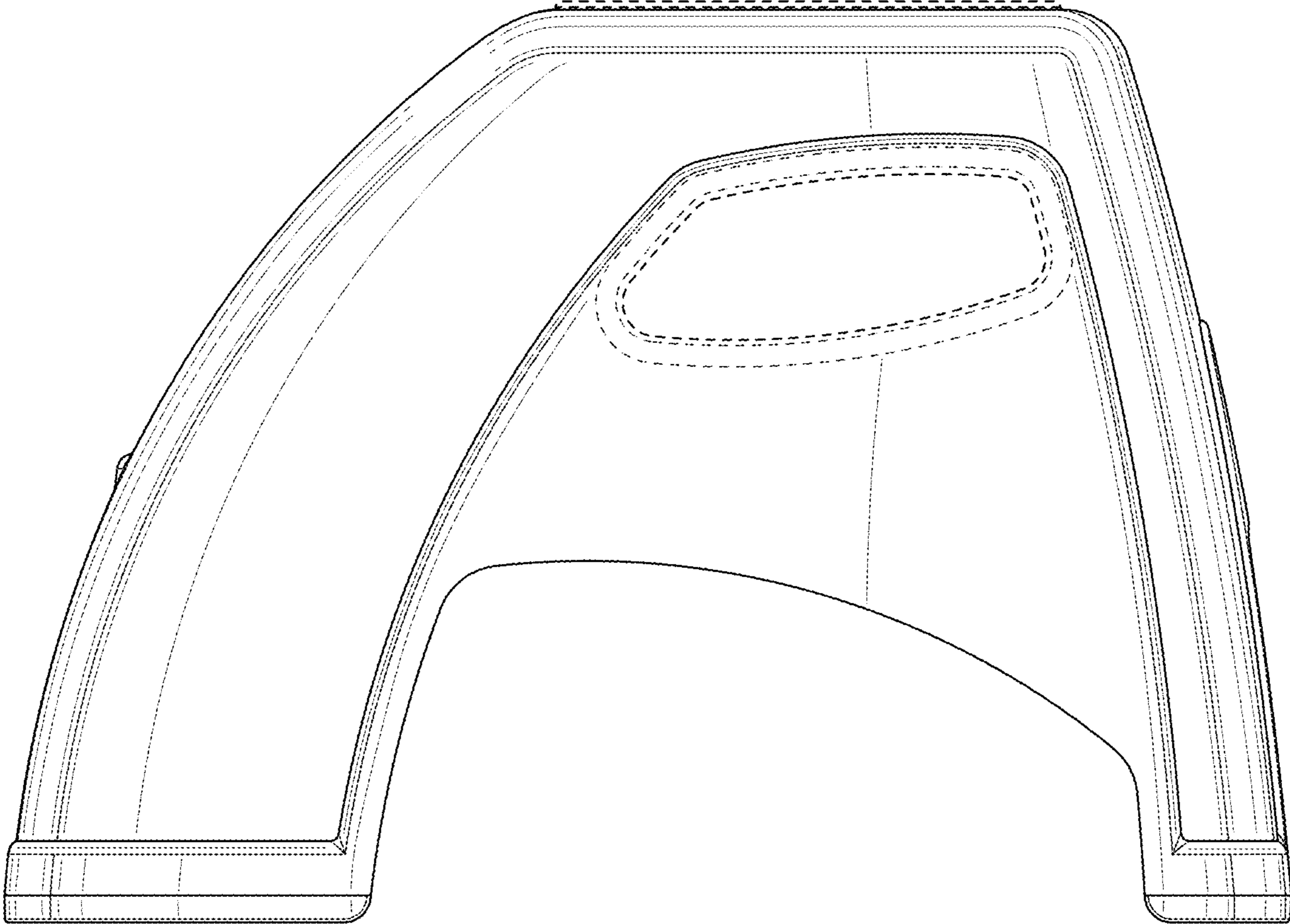


FIG. 6

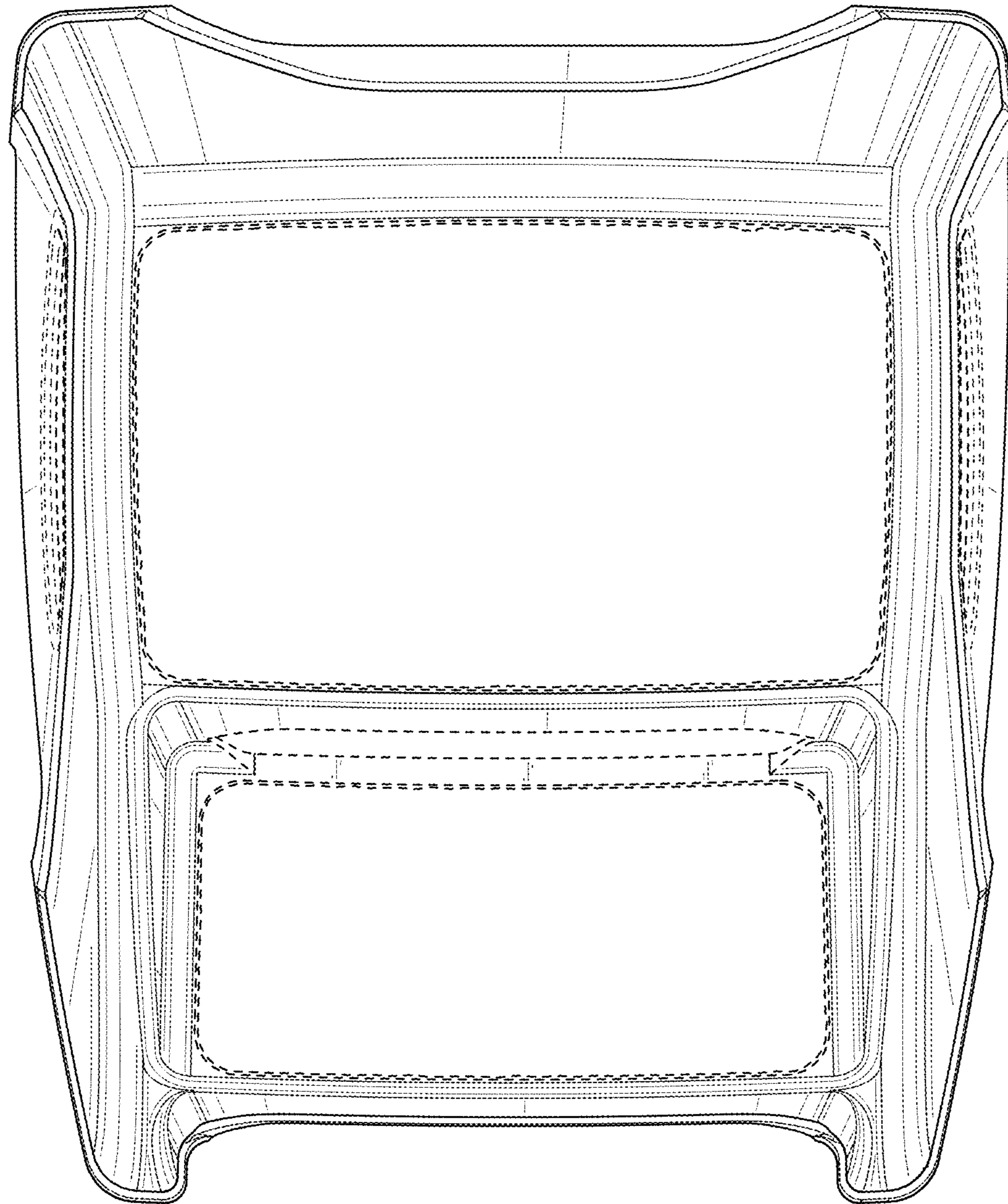


FIG. 7

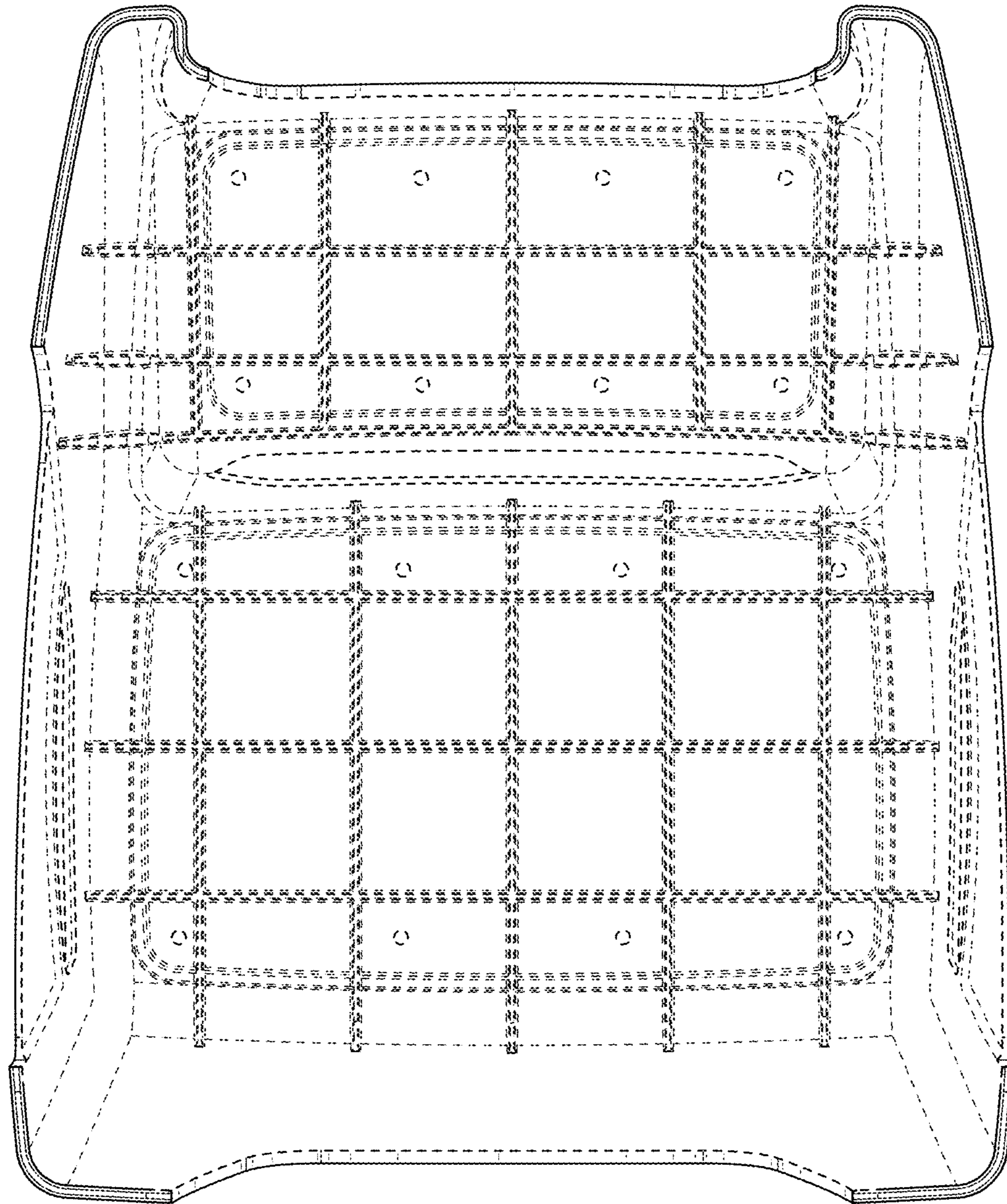


FIG. 8