



US00D934581S

(12) **United States Design Patent** (10) **Patent No.:** **US D934,581 S**  
**Wehner** (45) **Date of Patent:** **\*\* Nov. 2, 2021**

(54) **SPHERICAL-SHAPED HANGING CHAIR**

OTHER PUBLICATIONS

(71) Applicant: **Worldwide Creations, LLC**, Clio, MI (US)

(72) Inventor: **Scott D. Wehner**, Clio, MI (US)

(73) Assignee: **Worldwide Creations, LLC**, Clio, MI (US)

(\*\*) Term: **15 Years**

(21) Appl. No.: **29/744,811**

(22) Filed: **Jul. 31, 2020**

Internet Archive Wayback Machine capture of The Floating Bed, <https://web.archive.org/web/20030512020135/http://www.floatingbed.com:80/bigger-view/outdoor-tent-bed-tree.html> <<https://web.archive.org/web/20030512020135/http://www.floatingbed.com:80/bigger-view/outdoor-tent-bed-tree.html>>, capture dated May 12, 2003, print-out dated Aug. 16, 2017.

(Continued)

*Primary Examiner* — Kevin K Rudzinski

*Assistant Examiner* — Paul D Bohannon

(74) *Attorney, Agent, or Firm* — Young Basile Hanlon & MacFarlane, P.C.

(57) **CLAIM**

The ornamental design for a spherical-shaped hanging chair, as shown and described.

**DESCRIPTION**

FIG. 1 is a front perspective view of a spherical-shaped hanging chair in its environment.

FIG. 2 is a rear perspective view of the spherical-shaped hanging chair of FIG. 1 in its environment.

FIG. 3 is a front view of the spherical-shaped hanging chair of FIG. 1.

FIG. 4 is a rear view of the spherical-shaped hanging chair of FIG. 1.

FIG. 5 is a left-side view of the spherical-shaped hanging chair of FIG. 1.

FIG. 6 is a right-side view of the spherical-shaped hanging chair of FIG. 1.

FIG. 7 is a top view of the spherical-shaped hanging chair of FIG. 1; and,

FIG. 8 is a bottom view of the spherical-shaped hanging chair of FIG. 1.

In the drawings, the ornamental design that is claimed is shown in solid lines. The broken lines shown in the drawings are for the purpose of illustrating environmental structure and form no part of the claimed design.

**Related U.S. Application Data**

(62) Division of application No. 29/717,754, filed on Dec. 19, 2019, now Pat. No. Des. 899,166, which is a (Continued)

(51) **LOC (13) Cl.** ..... **06-01**

(52) **U.S. Cl.**  
USPC ..... **D6/347**

(58) **Field of Classification Search**  
USPC ..... D6/334, 341, 342, 347, 360, 364, 365, D6/386, 387, 389, 643, 650, 677, 716, (Continued)

(56) **References Cited**

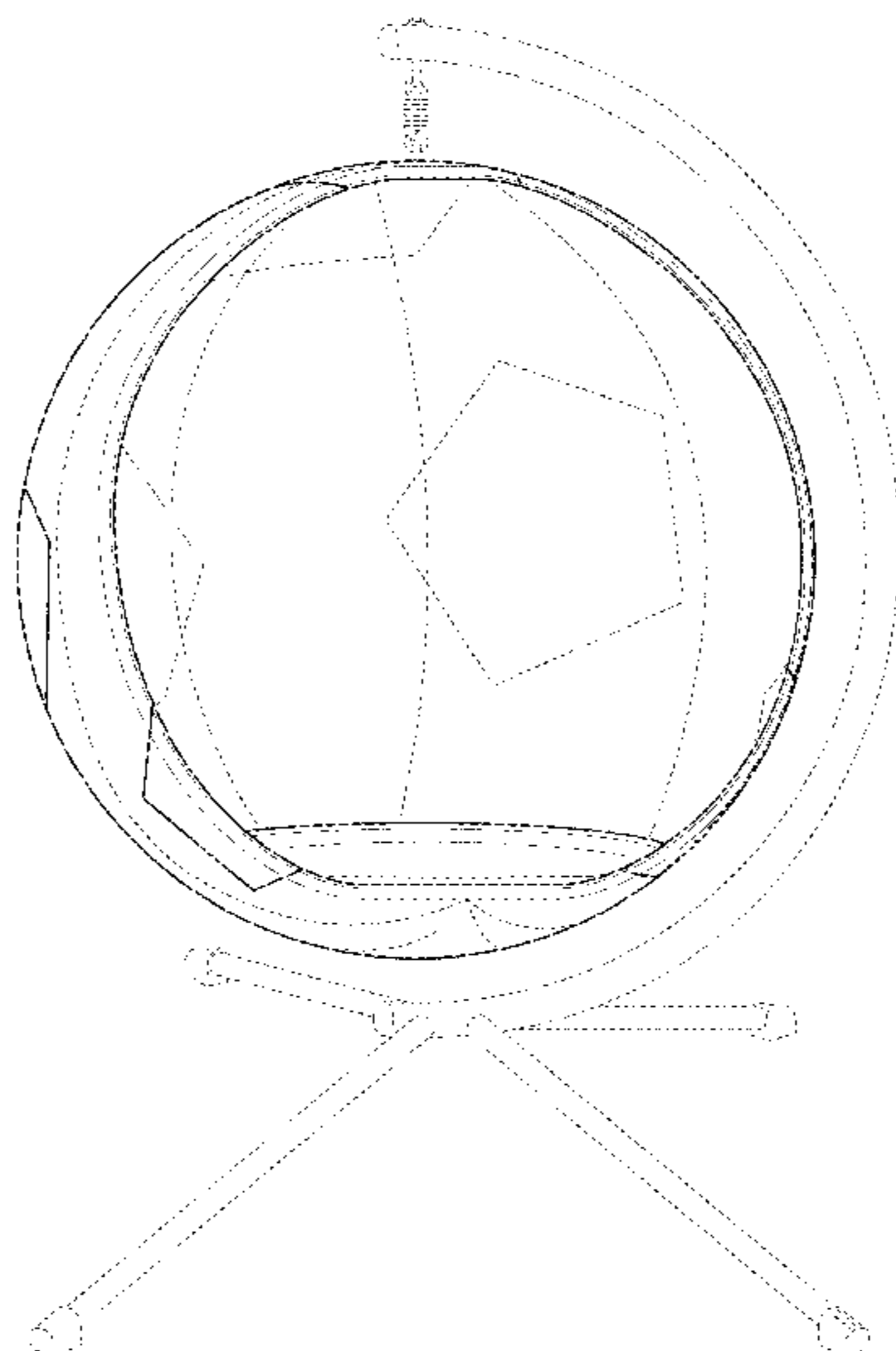
U.S. PATENT DOCUMENTS

979,037 A 12/1910 Searle  
D44,625 S 9/1913 De Yoos  
(Continued)

FOREIGN PATENT DOCUMENTS

EM 000963707-0001 7/2008  
EM 000963707-0002 7/2008  
GB 814554 A 6/1959

**1 Claim, 8 Drawing Sheets**



**Related U.S. Application Data**

division of application No. 29/635,681, filed on Feb. 1, 2018, now Pat. No. Des. 871,785.

(58) **Field of Classification Search**

USPC ..... D6/718.1, 718.11, 344, 359, 368, 369, D6/708.16, 339, 348, 385, 611; D21/521, D21/797, 707, 713, 781; D23/292; D12/52, 322; D30/124, 128  
 CPC .... A47C 3/02; A47C 3/12; A47C 3/18; A47C 3/26; A47C 3/0255; A47C 4/24; A47C 5/02; A47C 7/443; A47C 15/008; A47C 17/84; A47C 4/02; A47C 4/18; A47C 4/30; A47C 4/42; A47C 4/286; A47C 5/04; A47D 9/00; A47D 13/02; A47D 13/10; A47D 13/105; A47D 9/02; A47D 9/04; A47D 13/107; A63G 9/00; A63G 9/02; A63G 1/20; A63G 9/04; A63G 9/14; A63G 9/12; A63G 9/16; A45F 3/22; A45F 3/24; A45F 3/26; F21S 4/15; F21S 4/20; F21S 4/28; F21S 6/00; F21S 8/063; F21V 17/007; F21V 17/02; F21V 3/02; F21V 21/14; F21V 21/08; E04H 4/108; E04H 15/38; E04H 15/28; E04B 1/3441; B44C 5/00; A63B 69/0091; A63B 19/04; A61G 15/005

See application file for complete search history.

(56) **References Cited**

U.S. PATENT DOCUMENTS

1,646,716 A 10/1927 Wheeler  
 2,689,602 A 9/1954 Morgan  
 2,796,877 A 6/1957 Berseth  
 3,034,154 A 5/1962 Silverstone  
 3,130,969 A 4/1964 Groth  
 D198,779 S 8/1964 Bredon  
 3,145,990 A 8/1964 Prouty  
 D199,535 S 11/1964 Doss  
 3,186,711 A 6/1965 Morrow  
 3,213,868 A 10/1965 Forbes  
 3,344,443 A 10/1967 Bounell  
 D212,801 S \* 11/1968 Aarnio ..... D6/365  
 3,528,657 A 9/1970 Krupsky  
 D223,444 S \* 4/1972 Glaser ..... D6/335  
 D232,500 S 8/1974 McGreevy et al.  
 D232,957 S 9/1974 Kehelin  
 3,902,264 A 9/1975 Radig  
 D243,044 S 1/1977 Pathman  
 4,000,749 A 1/1977 Busco  
 4,047,752 A 9/1977 Rohr  
 D248,986 S 8/1978 Nakata  
 D249,408 S 9/1978 Jackson  
 D249,753 S 10/1978 Pratt  
 D252,602 S 8/1979 Cirrone  
 D254,458 S 3/1980 Wakefield  
 D254,829 S 4/1980 Gass  
 4,244,622 A 1/1981 Simpson  
 4,258,951 A 3/1981 Groom  
 D259,610 S 6/1981 Martin  
 D263,663 S 4/1982 Moreau  
 D265,454 S 7/1982 Martin  
 D266,040 S 9/1982 Cope  
 D271,548 S 11/1983 Bowsher  
 D271,641 S 12/1983 Bowsher  
 D273,943 S 5/1984 Dillon  
 D273,967 S 5/1984 Budde  
 D274,133 S 6/1984 Dillon  
 D274,347 S 6/1984 Budde  
 D274,986 S 8/1984 Mermelstein  
 D278,549 S 4/1985 Kristich  
 4,526,307 A 7/1985 Parker  
 4,550,456 A 11/1985 Allen

D282,970 S 3/1986 Parkin  
 D289,870 S \* 5/1987 Berchtold ..... D14/133  
 D295,391 S 4/1988 Maddox  
 4,838,292 A 6/1989 Allen  
 D306,196 S 2/1990 Muirhead  
 D309,681 S 8/1990 Solomon et al.  
 D309,683 S 8/1990 Solomon  
 D323,535 S 1/1992 Foenander et al.  
 5,097,545 A 3/1992 Hooi  
 D330,223 S 10/1992 Crum  
 D331,158 S 11/1992 Hooi  
 D336,378 S 6/1993 Kittridge  
 D346,070 S 4/1994 Kither  
 D348,161 S 6/1994 Craig, III  
 D348,361 S 7/1994 Beecher  
 D349,008 S 7/1994 Minor  
 D349,631 S 8/1994 Redmon  
 D350,699 S 9/1994 Lincourt  
 D354,371 S 1/1995 Wood  
 D354,639 S 1/1995 Stoddard  
 D354,641 S 1/1995 Stoddard  
 D355,334 S 2/1995 Minor  
 D357,386 S 4/1995 Jones  
 5,439,016 A 8/1995 Grahn  
 D364,287 S 11/1995 Jurasinski  
 D366,064 S 1/1996 Milojevich  
 5,511,258 A 4/1996 Barr, Sr.  
 D369,476 S 5/1996 Quill  
 D374,127 S 10/1996 Diaz  
 D375,422 S 11/1996 Jurasinski  
 5,588,702 A 12/1996 Litwin  
 D384,211 S 9/1997 Wied et al.  
 5,695,253 A 12/1997 Jenkins  
 D392,913 S 3/1998 Edwards  
 D393,303 S 4/1998 Van Wagenen  
 D396,642 S 8/1998 Lai  
 D401,605 S 11/1998 Shirley  
 D405,639 S 2/1999 Clark et al.  
 D408,877 S 4/1999 Sonntag  
 5,918,615 A 7/1999 Stuck, Sr.  
 5,944,381 A 8/1999 Nguyen  
 D414,045 S 9/1999 Morrow  
 D416,770 S \* 11/1999 Thorpe ..... D7/606  
 D419,387 S 1/2000 Hansen  
 D419,389 S 1/2000 Hansen  
 D420,520 S \* 2/2000 Johnston ..... D6/334  
 D420,552 S 2/2000 Hansen  
 D420,861 S 2/2000 Hansen  
 D421,033 S 2/2000 Shirley  
 D421,034 S 2/2000 Shirley et al.  
 D421,035 S 2/2000 Shirley  
 D422,155 S 4/2000 Rougie  
 D431,136 S 9/2000 Palardis  
 D436,382 S \* 1/2001 Podd ..... D21/329  
 6,212,811 B1 4/2001 Jones  
 D442,884 S 5/2001 Olinger  
 D442,885 S 5/2001 Olinger  
 D443,229 S 6/2001 Olinger  
 D446,267 S 8/2001 Feeney  
 6,401,404 B1 6/2002 Fillipp et al.  
 D463,515 S \* 9/2002 Kulp ..... D21/713  
 6,474,843 B2 11/2002 Shieh  
 D469,145 S 1/2003 Underwood  
 D469,628 S 2/2003 Strohfus  
 D489,103 S 4/2004 Jandorf  
 6,752,732 B2 6/2004 Morrison et al.  
 D496,169 S 9/2004 Hightower  
 D496,802 S 10/2004 Hightower  
 D501,328 S 2/2005 Fonfeder  
 D501,610 S 2/2005 Hightower  
 D501,729 S 2/2005 Fonfeder  
 D501,730 S 2/2005 Fonfeder  
 6,848,740 B1 2/2005 Reese  
 D503,554 S 4/2005 Kay  
 D503,555 S 4/2005 Hightower  
 D507,305 S 7/2005 Dill  
 D507,706 S 7/2005 Lo  
 D511,191 S 11/2005 Fryer  
 D511,654 S 11/2005 Bailey



(56)

References Cited

U.S. PATENT DOCUMENTS

D515,830 S	2/2006	Zheng	D738,128 S	9/2015	Paslowski	
D515,876 S	2/2006	Minor	D738,637 S	9/2015	Dean	
D516,330 S	3/2006	Ruiter	D742,277 S	11/2015	Wegrzyn	
D516,645 S	3/2006	Chung	D752,164 S	3/2016	Rio	
D516,825 S	3/2006	Zheng	D759,396 S	6/2016	Wehner	
D516,826 S	3/2006	Zheng	D760,488 S	7/2016	Diamond	
D517,819 S	3/2006	Zheng	D760,506 S	7/2016	McDonald	
D522,260 S	6/2006	Strachan	D761,575 S *	7/2016	Preston .....	D6/335
D529,343 S	10/2006	Minor	D764,160 S	8/2016	Diamond	
D532,826 S	11/2006	Gomez et al.	9,440,154 B1	9/2016	Cordray et al.	
D533,239 S	12/2006	Yang	D768,795 S	10/2016	O'Malley	
D536,888 S	2/2007	Dykstra	9,468,284 B2	10/2016	Wehner	
D538,545 S	3/2007	Zimmermann	D773,221 S	12/2016	Lee	
D539,048 S	3/2007	Zimmermann	D777,898 S	1/2017	Kumar	
D539,049 S	3/2007	Zimmermann	9,554,653 B2	1/2017	Lee	
D539,050 S	3/2007	Zimmermann	D778,656 S	2/2017	Lee	
D541,058 S	4/2007	Dykstra	D781,061 S	3/2017	Merritt	
7,204,549 B1	4/2007	Zeng	9,630,119 B2	4/2017	Fries et al.	
D541,552 S	5/2007	Weldon	D785,976 S	5/2017	Hagerty	
D552,853 S	10/2007	Goodrick	D787,842 S	5/2017	Lenton	
D553,014 S	10/2007	Foster	D788,634 S	6/2017	Wegrzyn	
D553,015 S	10/2007	Foster	D791,640 S	7/2017	Wegrzyn	
D553,016 S	10/2007	Foster	9,713,372 B1	7/2017	Chen	
D554,200 S	10/2007	Cooper	D796,865 S	9/2017	Haug	
D555,923 S	11/2007	Dykstra	D800,508 S	10/2017	Peters	
D558,293 S	12/2007	Brumbach et al.	D804,835 S	12/2017	Wehner	
D565,125 S	3/2008	Collier	9,861,181 B2	1/2018	Wehner	
7,367,068 B2	5/2008	Huff	D814,813 S	4/2018	Hassman	
7,380,880 B2	6/2008	Molen	D817,013 S	5/2018	Hassman	
7,404,601 B2	7/2008	Chen	D819,348 S	6/2018	Hassman	
D575,079 S	8/2008	Hirsh	D819,349 S	6/2018	Wehner	
D576,808 S *	9/2008	Ton .....	D819,989 S	6/2018	Hassman	
D577,388 S *	9/2008	Lo .....	D820,605 S	6/2018	Hassman	
D577,390 S	9/2008	Collier	D820,606 S	6/2018	Hassman	
D577,774 S	9/2008	Lo et al.	D820,608 S	6/2018	Wehner	
D580,634 S	11/2008	Robinson	D820,609 S	6/2018	Wehner	
D586,187 S	2/2009	Sax	D821,109 S	6/2018	Wehner	
D596,672 S	7/2009	Roman	10,016,048 B2	7/2018	Wehner	
D596,675 S	7/2009	Roman Moreno	D827,317 S	9/2018	Wehner	
D609,987 S	2/2010	Moman	D828,697 S	9/2018	Wehner	
D611,729 S	3/2010	Lau	D829,454 S	10/2018	Wehner	
D612,541 S	3/2010	Righetti	10,161,601 B1	12/2018	Chen	
D620,320 S	7/2010	Carter	D842,950 S	3/2019	O'Malley	
D623,436 S	9/2010	Lau	D847,922 S	5/2019	Hunter	
D630,689 S	1/2011	Tsutsui	D848,753 S	5/2019	Wehner	
D632,138 S	2/2011	Carter	10,398,214 B2	9/2019	Wehner	
D634,380 S *	3/2011	Walling, Jr. ....	D861,365 S	10/2019	Figdor	
D638,071 S	5/2011	Tyler	D864,322 S *	10/2019	Finley .....	D21/708
7,967,374 B2	6/2011	Akkad	D865,383 S	11/2019	Wehner	
D643,807 S	8/2011	Gelin	D871,785 S	1/2020	Wehner	
D649,800 S	12/2011	Lievore et al.	10,631,647 B1	4/2020	Wu et al.	
D653,808 S	2/2012	Gelin	D889,144 S	7/2020	Wehner	
D653,810 S	2/2012	Gelin	D897,123 S	9/2020	Tan	
D660,034 S	5/2012	Frey et al.	D898,397 S	10/2020	Wehner	
D660,608 S	5/2012	Hasman	D899,112 S	10/2020	Wehner	
D675,268 S	1/2013	Cranke	D899,166 S	10/2020	Wehner	
D677,914 S	3/2013	Cardenas	D901,921 S	11/2020	Bergmann et al.	
D679,104 S	4/2013	Pouzet	D905,562 S	12/2020	Futral et al.	
D682,565 S	5/2013	McDonald	D911,870 S	3/2021	Wang	
D690,377 S	9/2013	Cranke	2003/0024448 A1	2/2003	Lieberman	
D692,083 S	10/2013	Toland	2003/0057754 A1	3/2003	Snyders	
D697,566 S	1/2014	Smith	2003/0140417 A1	7/2003	Huff	
D698,696 S	2/2014	McBurney et al.	2005/0108821 A1	5/2005	Gardner	
D702,449 S	4/2014	Puotiniemi	2005/0277499 A1	12/2005	Tang et al.	
D705,499 S	5/2014	Zamarripa	2007/0283611 A1	12/2007	Laurent et al.	
D705,865 S	5/2014	Roth	2008/0060128 A1	3/2008	Forshpan	
8,764,234 B1	7/2014	Acree et al.	2008/0064539 A1	3/2008	Mark	
D720,148 S	12/2014	Urquiola	2008/0203774 A1	8/2008	Hemetsberger	
D727,445 S	4/2015	Viramontez	2010/0252083 A1	10/2010	Ogle	
9,067,146 B1	6/2015	Cordray	2011/0254334 A1	10/2011	Phillips	
9,095,204 B2	8/2015	Ou	2012/0004058 A1 *	1/2012	Fujikura .....	A63B 41/00 473/605
D738,123 S	9/2015	Wu	2012/0178543 A1	7/2012	Monachello	
			2015/0018108 A1	1/2015	Lacy et al.	
			2015/0030790 A1	1/2015	Duncan, III	
			2015/0335136 A1	11/2015	Wehner	
			2016/0107095 A1	4/2016	Fries et al.	



(56)

**References Cited**

## U.S. PATENT DOCUMENTS

2017/0234025 A1 8/2017 Bottome et al.  
2020/0292920 A1 9/2020 Lin

## OTHER PUBLICATIONS

Internet Archive Wayback Machine's capture of The Floating Bed, <https://web.archive.org/web/20030513102711/http://www.floatingbed.com:80/bigger-view/outdoor-tent-bed.html> <<https://web.archive.org/web/20030513102711/http://www.floatingbed.com:80/bigger-view/outdoor-tent-bed.html>>, capture dated May 13, 2003, print-out dated Aug. 16, 2017.

National Archives and Records Administration, Gabe Gobin, an Indian logger, in front of his home. Tulalip Reservation, Washington, <[https://commons.wikimedia.org/wiki/File:Gabe\\_Gobin,\\_an\\_Indian\\_logger,\\_in\\_front\\_of\\_his\\_home.\\_Tulalip\\_Reservation,\\_Washington,\\_1916\\_-\\_NARA\\_-\\_518929.tif](https://commons.wikimedia.org/wiki/File:Gabe_Gobin,_an_Indian_logger,_in_front_of_his_home._Tulalip_Reservation,_Washington,_1916_-_NARA_-_518929.tif)>, created Dec. 31, 1915, print-out dated Aug. 22, 2017.

Wikipedia, Weaver Next in Malaysia, [https://en.wikipedia.org/wiki/Ploceidae#/media/File:Weaver\\_Nest.jpg](https://en.wikipedia.org/wiki/Ploceidae#/media/File:Weaver_Nest.jpg) <[https://en.wikipedia.org/wiki/Ploceidae#/media/File:Weaver\\_Nest.jpg](https://en.wikipedia.org/wiki/Ploceidae#/media/File:Weaver_Nest.jpg)>, created Mar. 28, 2013, print-out dated Aug. 22, 2017.

Fine Mod Imports Euro Aarnio Style Bubble Hanging Chair, [www.instylemodern.com/Eero-Aarnio-Style-Bubble-Hanging-Chair-White-Cushi-p/1122-white-with-stand.htm](http://www.instylemodern.com/Eero-Aarnio-Style-Bubble-Hanging-Chair-White-Cushi-p/1122-white-with-stand.htm) <<http://www.instylemodern.com/Eero-Aarnio-Style-Bubble-Hanging-Chair-White-Cushi-p/1122-white-with-stand.htm>>, captured on Jun. 29, 2018.

ACME 2-Piece All Star Set Chair and Ottoman, Baseball, [www.amazon.com/05528-2-Piece-Chair-Ottoman-Baseball/dp/B004H6UYAE](http://www.amazon.com/05528-2-Piece-Chair-Ottoman-Baseball/dp/B004H6UYAE) <<http://www.amazon.com/05528-2-Piece-Chair-Ottoman-Baseball/dp/B004H6UYAE>>, captured Jun. 29, 2018.

Coaster Kid's Swivel Chair and Ottoman Set, Basketball Design, [www.amazon.com/Coaster-Swivel-Ottoman-Basketball-2-Pieces/dp/B000WI8UHA](http://www.amazon.com/Coaster-Swivel-Ottoman-Basketball-2-Pieces/dp/B000WI8UHA) <<http://www.amazon.com/Coaster-Swivel-Ottoman-Basketball-2-Pieces/dp/B000WI8UHA>>, captured on Jun. 29, 2018.

Fine Mod Imports Egg Hanging Chair, [www.finemodimports.com/Egg\\_Hanging\\_Chair\\_p/fmi2208.htm](http://www.finemodimports.com/Egg_Hanging_Chair_p/fmi2208.htm) <[http://www.finemodimports.com/Egg\\_Hanging\\_Chair\\_p/fmi2208.htm](http://www.finemodimports.com/Egg_Hanging_Chair_p/fmi2208.htm)>, captured on Jun. 29, 2018.

Design Market Nanna Ditzel Egg Chair, [www.design-mkt.com/154-egg-hanging-chair-nanna-ditzel-1959.html](http://www.design-mkt.com/154-egg-hanging-chair-nanna-ditzel-1959.html) <<http://www.design-mkt.com/154-egg-hanging-chair-nanna-ditzel-1959.html>>, captured Jun. 29, 2018.

Wildon Home Kid's Football Chair and Ottoman Set, [www.amazon.com/Kids-Football-Chair-Ottoman-Set/dp/B00XYTD5FG/](http://www.amazon.com/Kids-Football-Chair-Ottoman-Set/dp/B00XYTD5FG/) <<http://www.amazon.com/Kids-Football-Chair-Ottoman-Set/dp/B00XYTD5FG/>>, captured Jun. 29, 2018.

Wicker Hanging Swing Patio Bed, [www.karimunjavaadventure.com/item-detail/wicker-hanging-swing-patio-bed-swing-steel-garden-swing.html](http://www.karimunjavaadventure.com/item-detail/wicker-hanging-swing-patio-bed-swing-steel-garden-swing.html) <<http://www.karimunjavaadventure.com/item-detail/wicker-hanging-swing-patio-bed-swing-steel-garden-swing.html>>, captured Jun. 29, 2018.

Football Hanging Chair on Alibaba, [www.alibaba.com/product-detail/football-design-swing-hang-chair-outdoor\\_60325860005.html?spm=a2700.galleryofferlist.normalList.23.5f287b1802IByl](http://www.alibaba.com/product-detail/football-design-swing-hang-chair-outdoor_60325860005.html?spm=a2700.galleryofferlist.normalList.23.5f287b1802IByl) <[http://www.alibaba.com/product-detail/football-design-swing-hang-chair-outdoor\\_60325860005.html?spm=a2700.galleryofferlist.normalList.23.5f287b1802IByl](http://www.alibaba.com/product-detail/football-design-swing-hang-chair-outdoor_60325860005.html?spm=a2700.galleryofferlist.normalList.23.5f287b1802IByl)>, captured Jun. 29, 2018.

Round Rattan Outdoor Bed, [gptoparts.en.alibaba.com/product/60149906396-221138431/Round\\_rattan\\_outdoor\\_bed\\_outdoor\\_swing\\_bed\\_round\\_hanging\\_bed\\_round.html?spm=a2700.8304367.prewdfa4cf.1.576f3e26neSEBx](http://gptoparts.en.alibaba.com/product/60149906396-221138431/Round_rattan_outdoor_bed_outdoor_swing_bed_round_hanging_bed_round.html?spm=a2700.8304367.prewdfa4cf.1.576f3e26neSEBx), captured Jun. 29, 2018.

Round Egg Straight Hanging Chair, [gptoparts.en.alibaba.com/product/60194886386-221138431/Outdoor\\_Wicker\\_Patio\\_Furniture\\_Round\\_Egg\\_Straight\\_Hanging\\_Chair\\_NEW\\_.html?spm=a2700.8304367.prewdfa4cf.16.e5203e27WgVkmD](http://gptoparts.en.alibaba.com/product/60194886386-221138431/Outdoor_Wicker_Patio_Furniture_Round_Egg_Straight_Hanging_Chair_NEW_.html?spm=a2700.8304367.prewdfa4cf.16.e5203e27WgVkmD), captured Jun. 29, 2018.

Swing Hanging Chair, [gptoparts.en.alibaba.com/product/60134002497-221138431/Swing\\_hanging\\_chair\\_cheap\\_material\\_PE\\_rattan\\_popular\\_in\\_many\\_countries.html?spm=a2700.8304367.prewdfa4cf.4.45803e26KjE2Q6](http://gptoparts.en.alibaba.com/product/60134002497-221138431/Swing_hanging_chair_cheap_material_PE_rattan_popular_in_many_countries.html?spm=a2700.8304367.prewdfa4cf.4.45803e26KjE2Q6), captured Jun. 29, 2018.

2015 New Model Wooden Horse Swing, [gptoparts.en.alibaba.com/product/60145838006-221138431/2015\\_new\\_model\\_wooden\\_horse\\_swing.html?spm=a2700.8304367.prewdfa4cf.13.7d4d3e26lv1M0a](http://gptoparts.en.alibaba.com/product/60145838006-221138431/2015_new_model_wooden_horse_swing.html?spm=a2700.8304367.prewdfa4cf.13.7d4d3e26lv1M0a), captured Jun. 29, 2018.

Two Seat Hanging Swing Chair, [gptoparts.en.alibaba.com/product/60449144448-221138431/Outdoor\\_two\\_seat\\_hanging\\_swing\\_chair\\_for\\_adult.html?spm=a2700.8304367.prewdfa4cf.16.633e3e1dUpVBU5](http://gptoparts.en.alibaba.com/product/60449144448-221138431/Outdoor_two_seat_hanging_swing_chair_for_adult.html?spm=a2700.8304367.prewdfa4cf.16.633e3e1dUpVBU5), captured Jun. 29, 2018.

Nest Chair Patio Swing, [gptoparts.en.alibaba.com/product/60672125777-221138431/Nest\\_Chair\\_Patio\\_Swing\\_Chair\\_Hanging\\_Hammock.html?spm=a2700.8304367.prewdfa4cf.10.309b3e60xpCfW0](http://gptoparts.en.alibaba.com/product/60672125777-221138431/Nest_Chair_Patio_Swing_Chair_Hanging_Hammock.html?spm=a2700.8304367.prewdfa4cf.10.309b3e60xpCfW0), captured Jun. 29, 2018.

Comfortable Bedroom Chair, [gptoparts.en.alibaba.com/product/60565028285-221138431/Wholesale\\_best\\_selling\\_in\\_Poland\\_comfortable\\_bedroom\\_chairs.html?spm=a2700.8304367.prewdfa4cf.28.558a3e18W54nwH](http://gptoparts.en.alibaba.com/product/60565028285-221138431/Wholesale_best_selling_in_Poland_comfortable_bedroom_chairs.html?spm=a2700.8304367.prewdfa4cf.28.558a3e18W54nwH), captured Jun. 29, 2018.

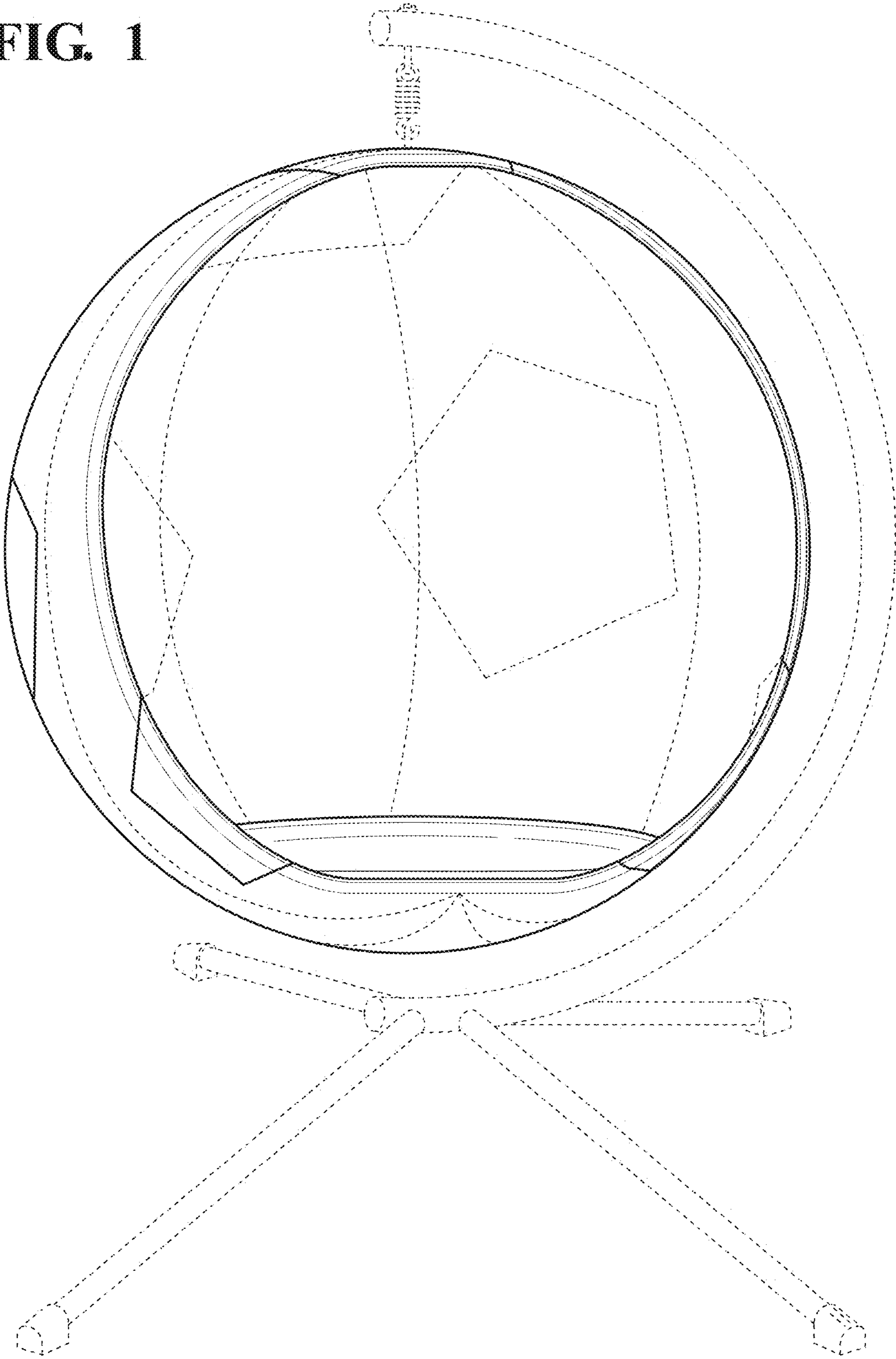
Round Swing Chair, [gptoparts.en.alibaba.com/product/60390746146-221138431/hot\\_sale\\_round\\_swing\\_chair\\_hanging\\_chair\\_with\\_cushion\\_for\\_1\\_person\\_hanging\\_garden\\_rocking\\_chair.html?spm=a2700.8304367.prewdfa4cf.1.48593e67yWB6YI](http://gptoparts.en.alibaba.com/product/60390746146-221138431/hot_sale_round_swing_chair_hanging_chair_with_cushion_for_1_person_hanging_garden_rocking_chair.html?spm=a2700.8304367.prewdfa4cf.1.48593e67yWB6YI), captured Jun. 29, 2018.

Multicolored Apple Shape Chair, [gptoparts.en.alibaba.com/product/60130025317-221138431/multicolored\\_apple\\_shape\\_hammock\\_eco\\_friend\\_handmade\\_chair\\_with\\_natural\\_rattan\\_and\\_bamboo\\_hanging\\_chair.html?spm=a2700.8304367.prewdfa4cf.34.37be3e27VLPiIR](http://gptoparts.en.alibaba.com/product/60130025317-221138431/multicolored_apple_shape_hammock_eco_friend_handmade_chair_with_natural_rattan_and_bamboo_hanging_chair.html?spm=a2700.8304367.prewdfa4cf.34.37be3e27VLPiIR), captured Jun. 29, 2018.

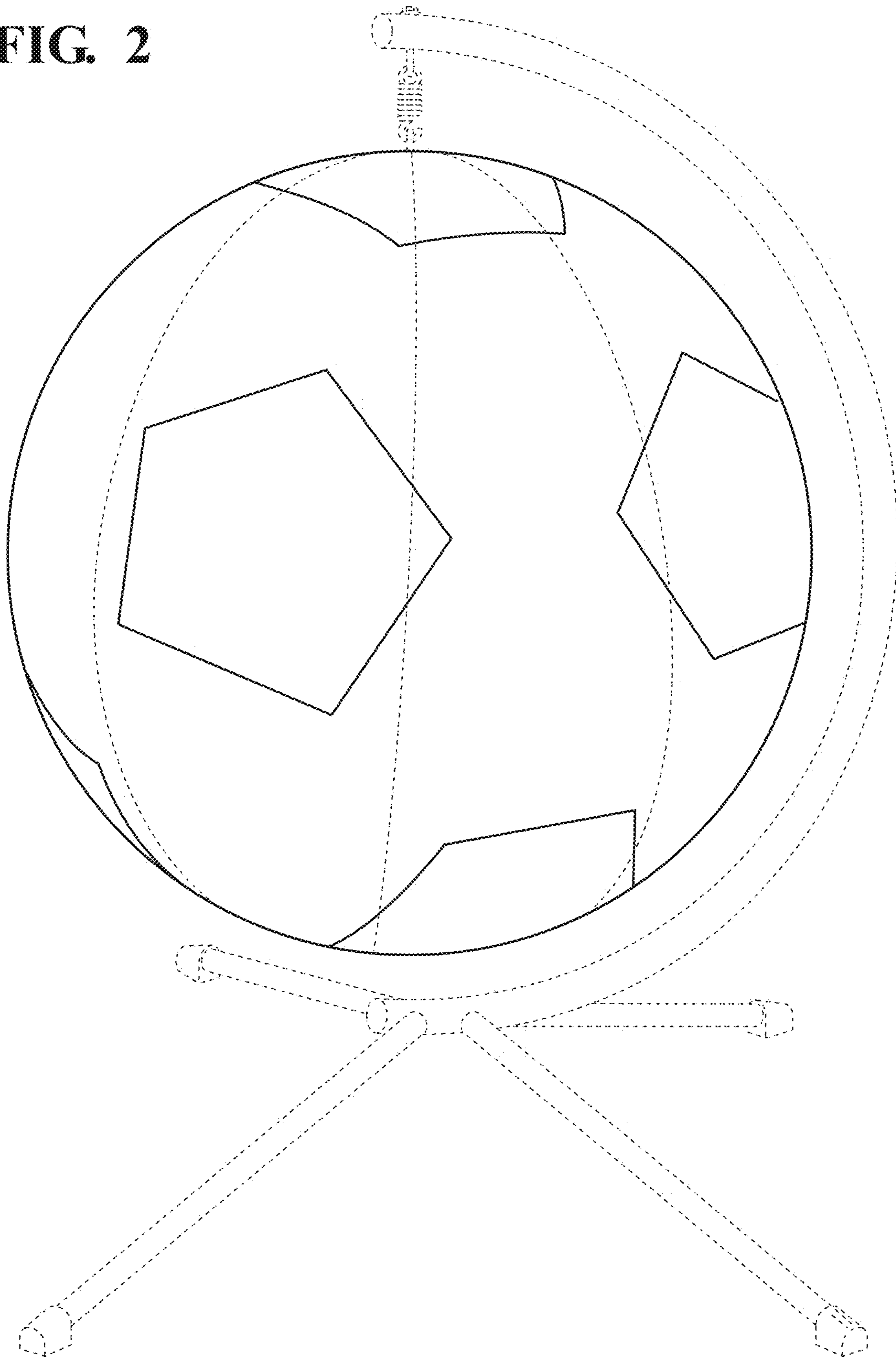
Fine Mod Imports Bird Hanging Chair, <<https://www.hammockup.com/products/bird-hanging-chair-white?variant=1848133877769>>, captured Jul. 3, 2018.

\* cited by examiner

FIG. 1

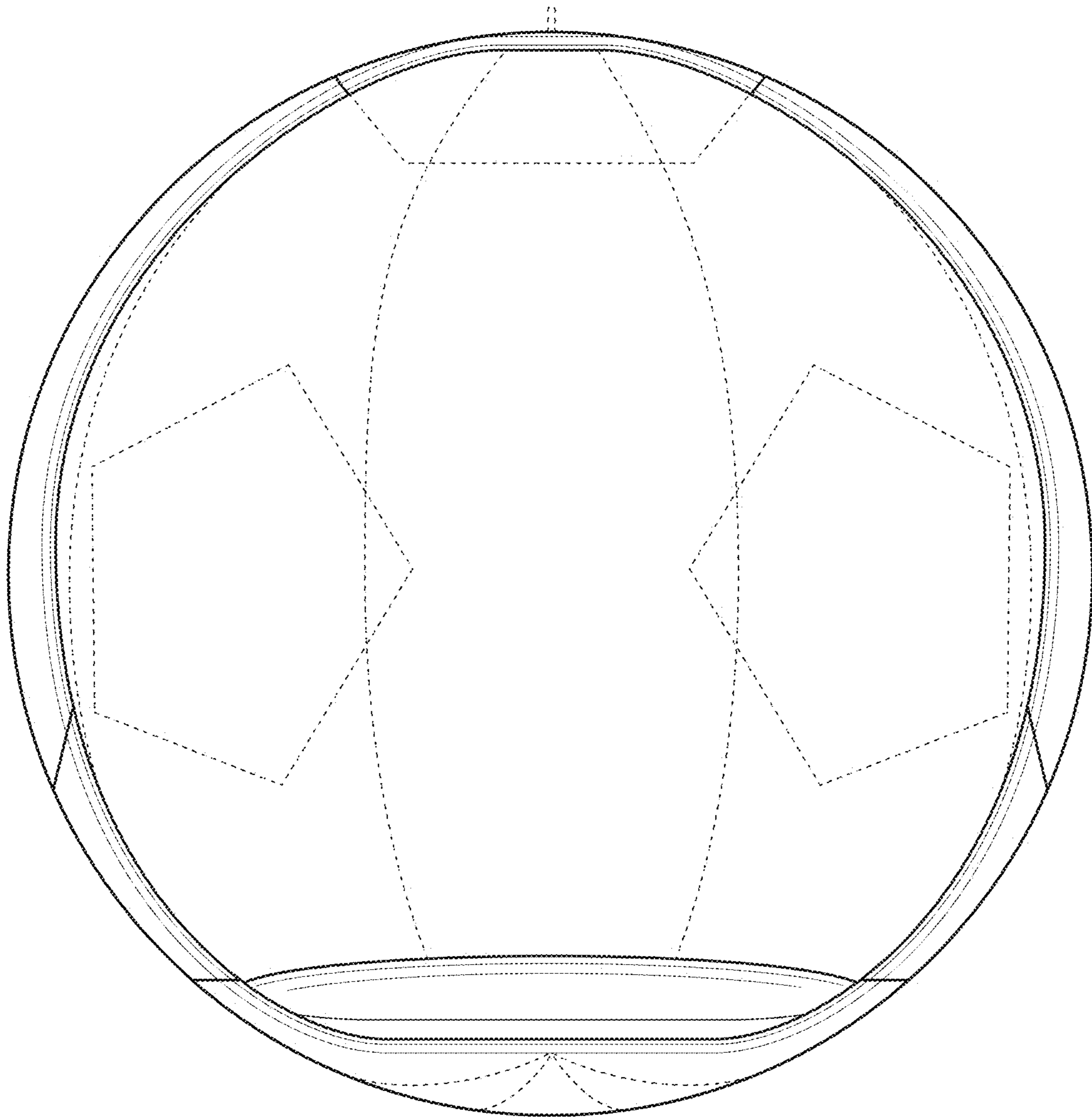


**FIG. 2**

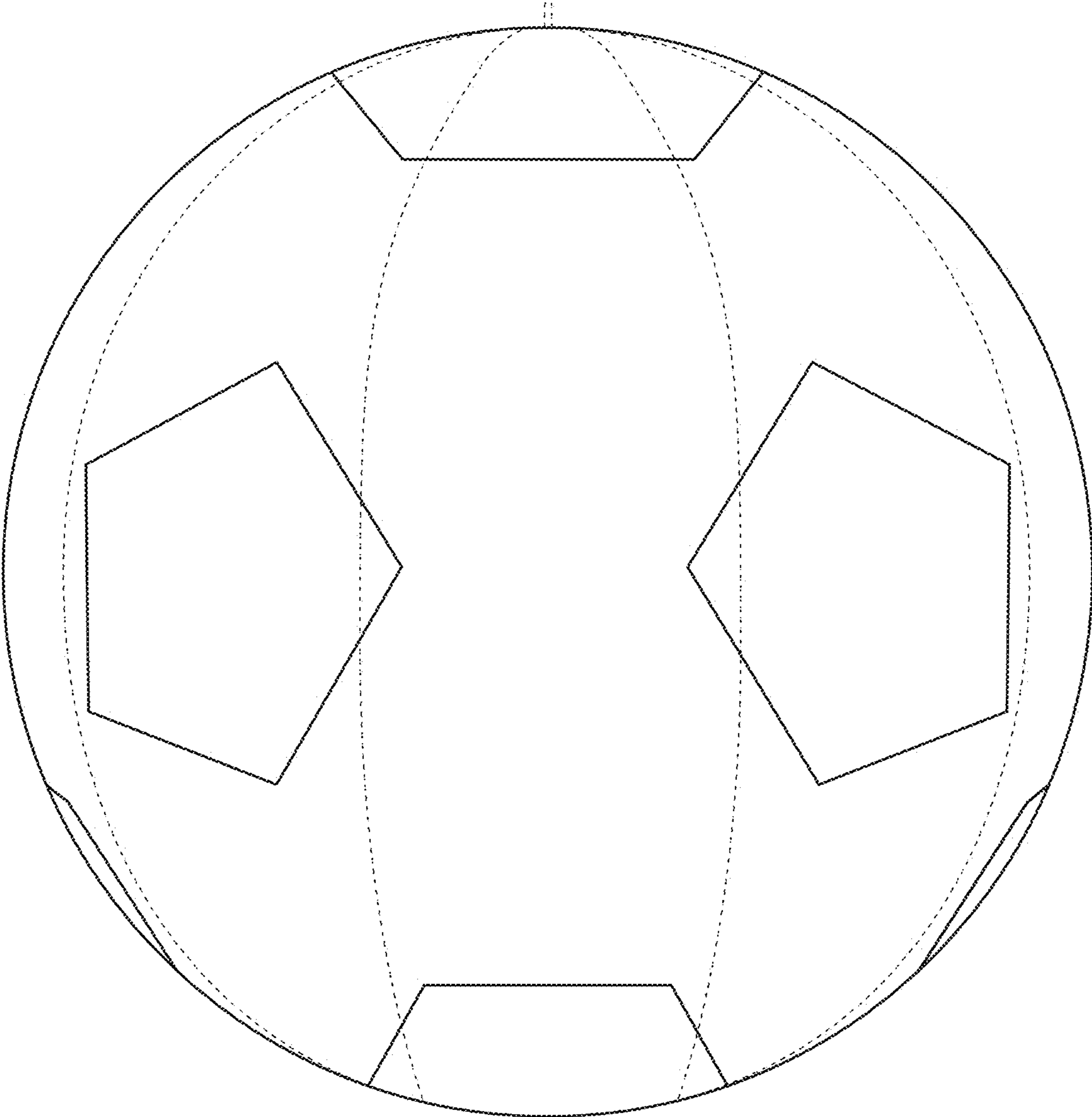




**FIG. 3**

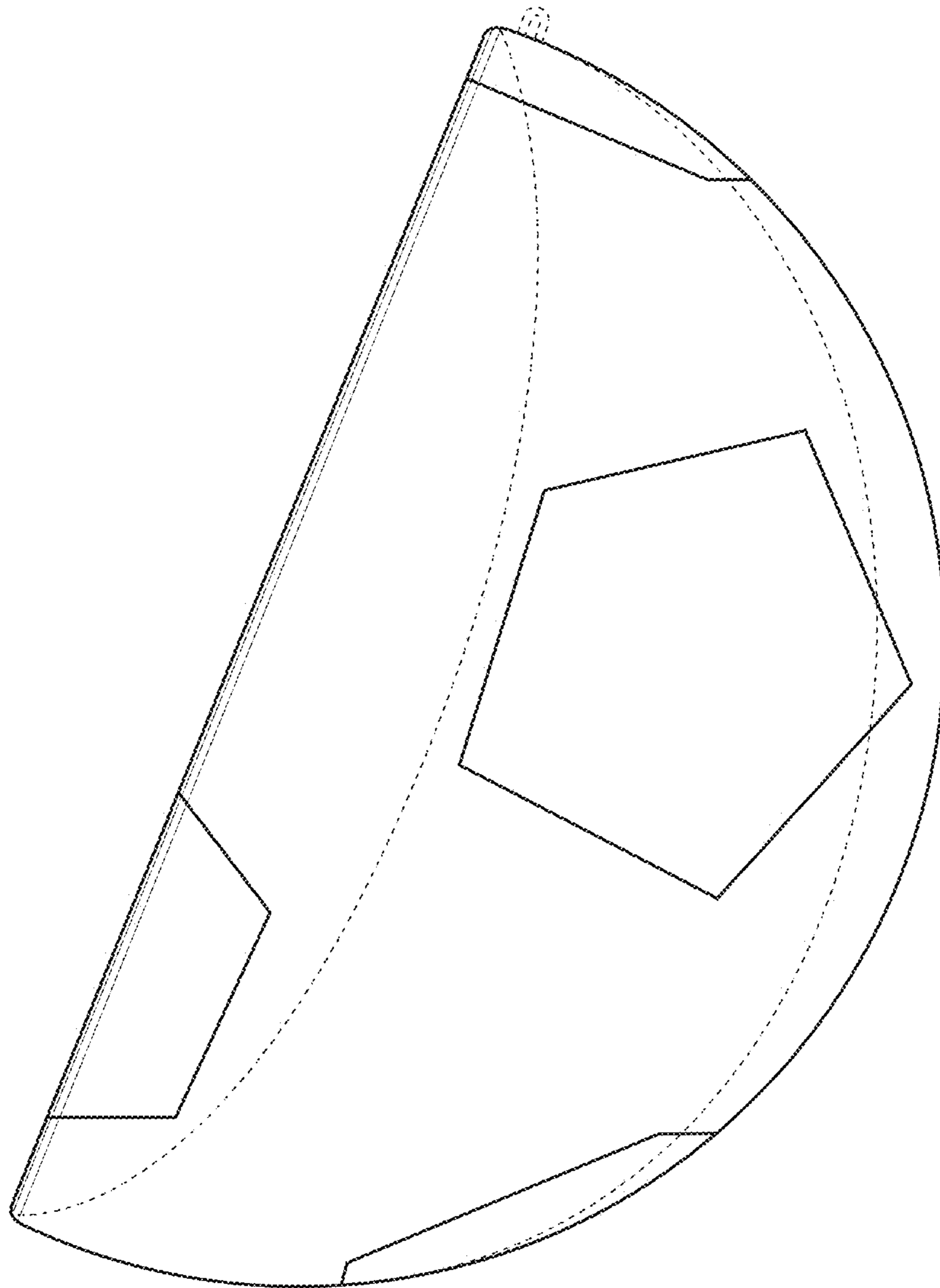


**FIG. 4**

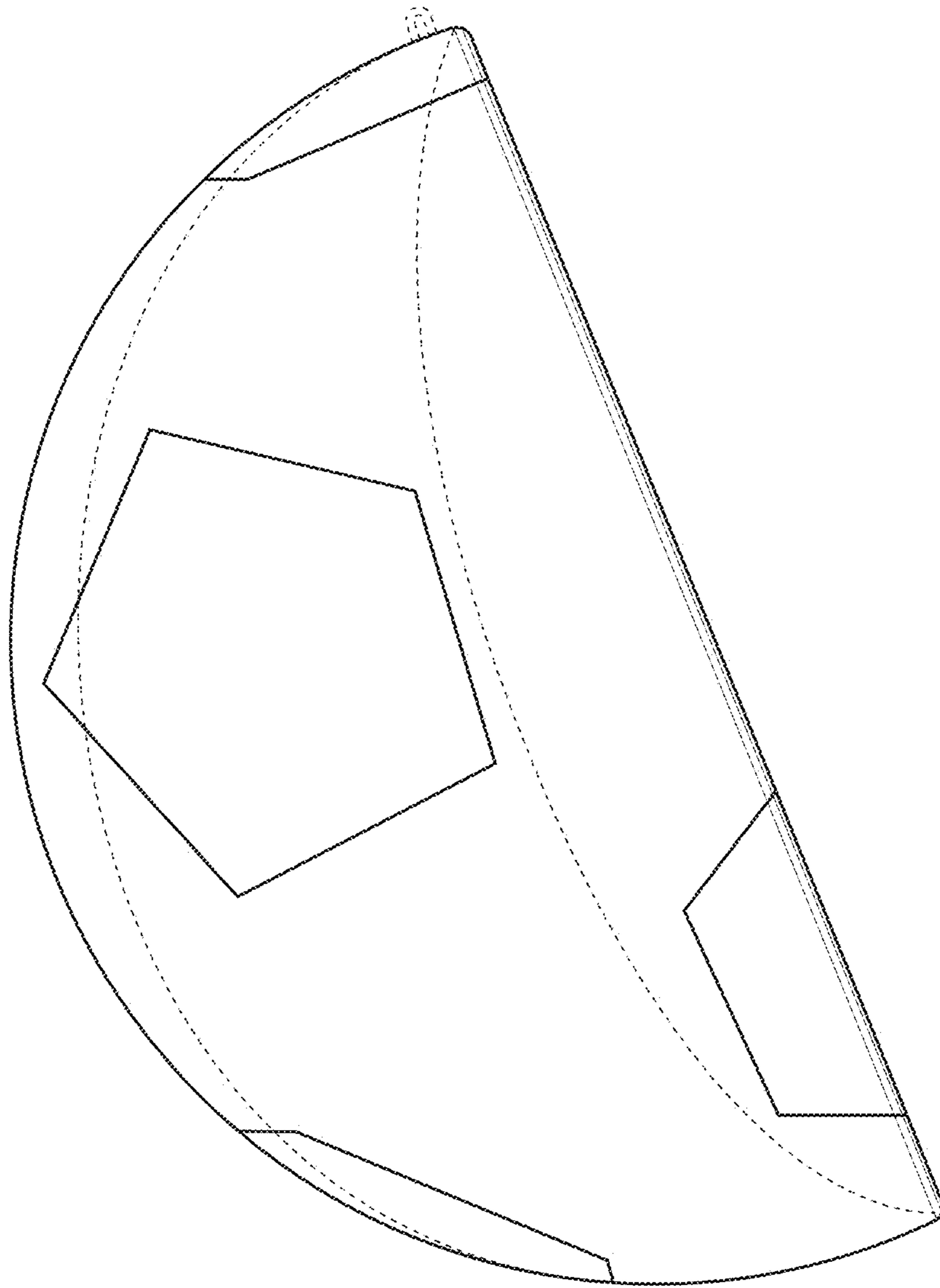




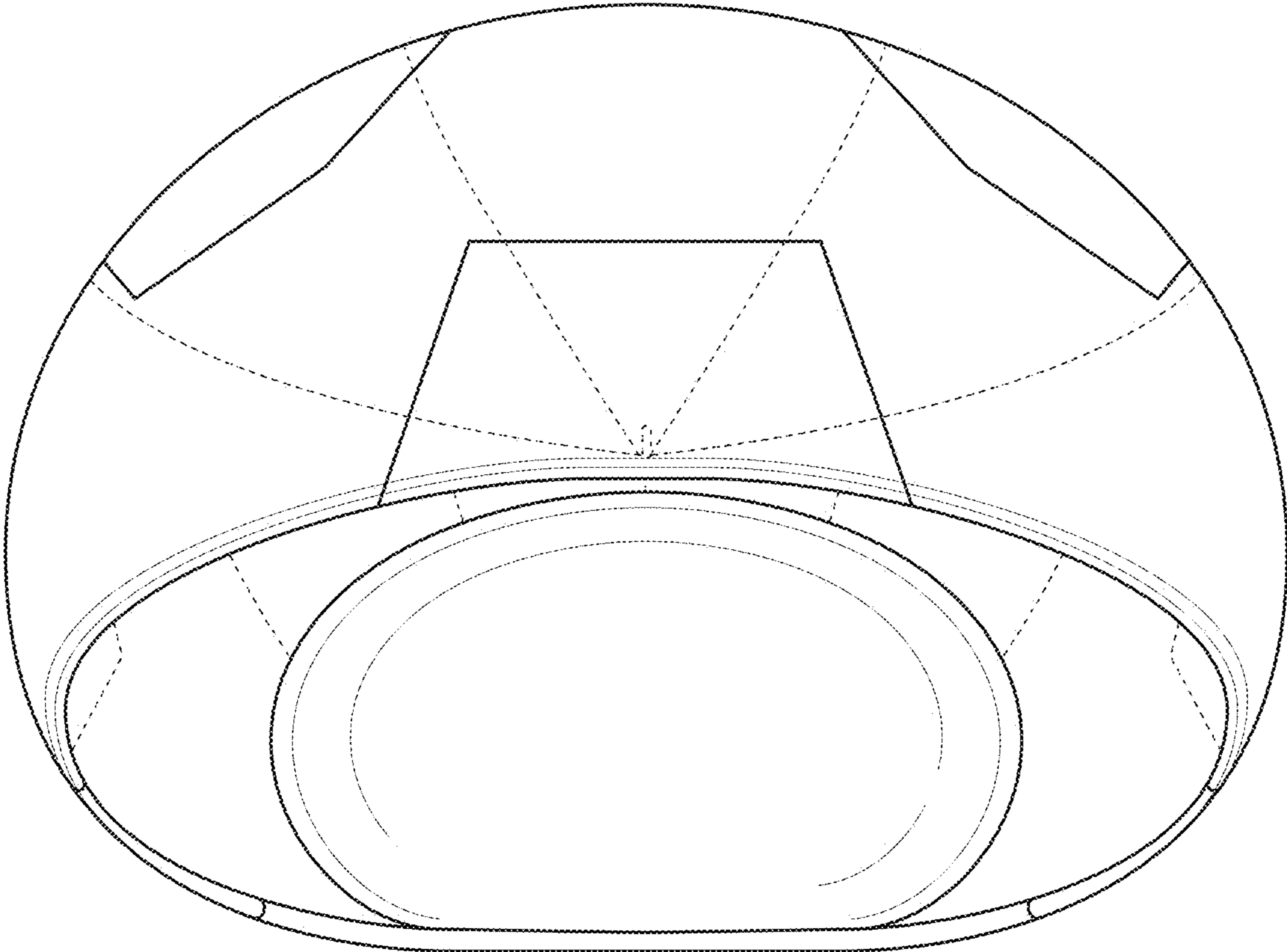
**FIG. 5**



**FIG. 6**



**FIG. 7**





**FIG. 8**

