



US00D934577S

(12) **United States Design Patent** (10) **Patent No.:** **US D934,577 S**
Liu (45) **Date of Patent:** **** Nov. 2, 2021**

(54) **MIRROR**

FOREIGN PATENT DOCUMENTS

(71) Applicant: **Shenzhen JianYuanDa Mirror Technology Co., Ltd.,** Shenzhen (CN)

CN 305043990 * 7/2018
EM 008073266-0001 * 8/2020

(Continued)

(72) Inventor: **Changwei Liu,** Shenzhen (CN)

OTHER PUBLICATIONS

(**) Term: **15 Years**

The Barbering Co. 3 Way Mirror [online], [site visited Sep. 8, 2021]. Available from internet, URL: <<https://www.amazon.com/Barbering-Co-Neckline-Adjustable-Hands-Free/dp/B0843MV6WF>> (Year: 2020).*

(Continued)

(21) Appl. No.: **29/745,588**

(22) Filed: **Aug. 7, 2020**

(51) **LOC (13) Cl.** **06-07**

(52) **U.S. Cl.**

USPC **D6/301**

(58) **Field of Classification Search**

USPC D6/300, 301, 302, 303, 304, 307, 308, D6/309, 310, 311, 312, 313, 314; D28/64.1-64.7; D14/336, 341, 371, 372, D14/374, 381, 382, 448, 450
CPC A45D 42/00; A45D 42/10; A45D 42/16; A45D 42/20; A45D 42/24; A47G 1/00; A47G 1/02; A47G 1/04; A47G 1/0622; B60J 3/0282

See application file for complete search history.

Primary Examiner — Cynthia Ramirez

Assistant Examiner — Xavier Marti-Santos

(74) *Attorney, Agent, or Firm* — Novoclaims Patent Services LLC; Mei Lin Wong

(57) **CLAIM**

The ornamental design for a mirror, as shown and described.

DESCRIPTION

FIG. 1 is a front perspective view of a mirror, showing my new design;
FIG. 2 is rear perspective view thereof;
FIG. 3 is a front view thereof;
FIG. 4 is a rear view thereof;
FIG. 5 is a left side view thereof;
FIG. 6 is a right side view thereof;
FIG. 7 is a top view thereof;
FIG. 8 is a bottom view thereof;
FIG. 9 is a partial enlarged view of FIG. 2;
FIG. 10 is a partial enlarged view of FIG. 2;
FIG. 11 is a partial enlarged view of FIG. 5;
FIG. 12 is a partial enlarged view of FIG. 6;
FIG. 13 is a partial enlarged view of FIG. 8; and,
FIG. 14 is a front perspective view thereof, shown in a folded position.

The broken lines in the figures are demarcating enlarged areas and form no part of the claimed design.

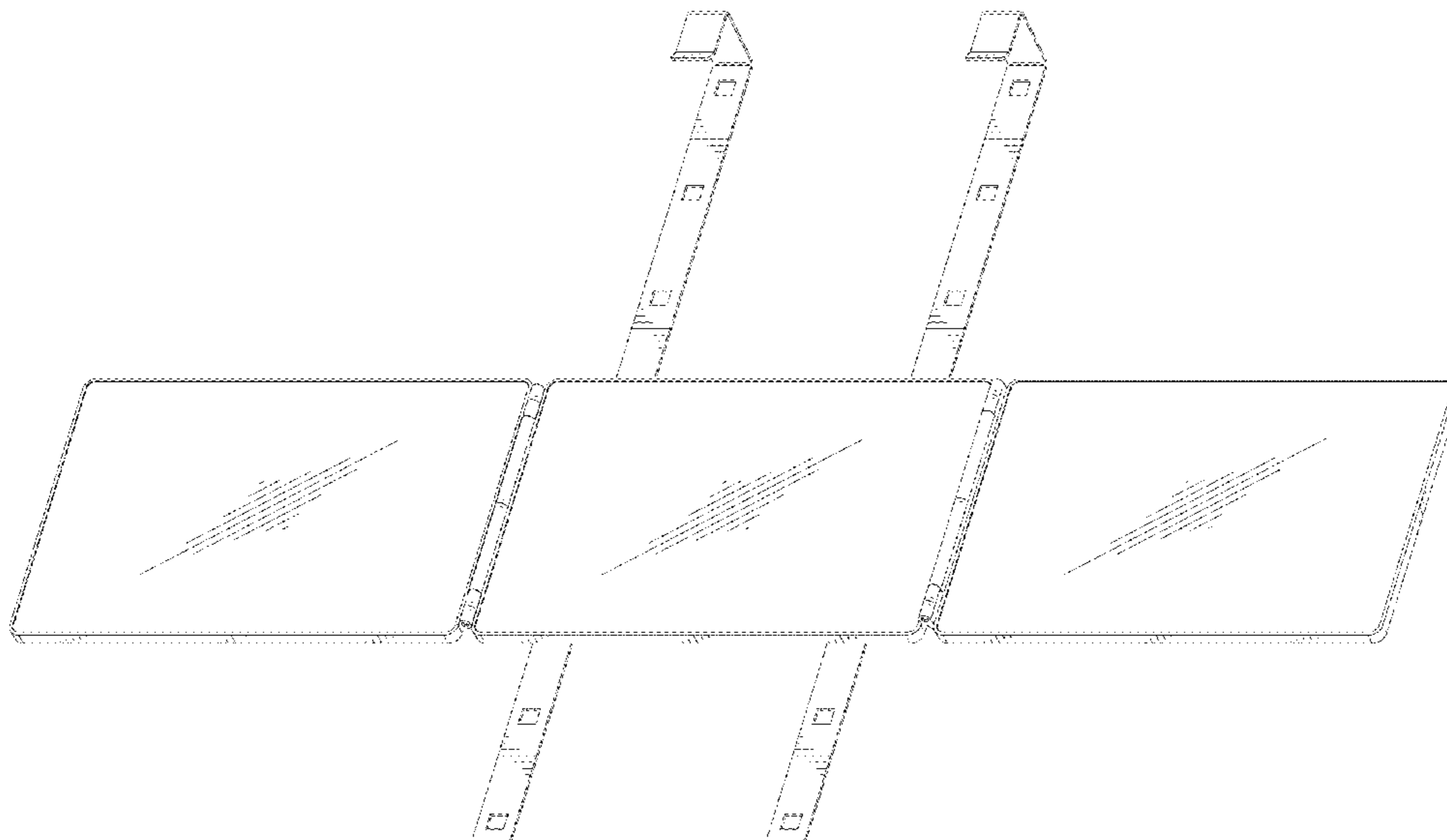
(56) **References Cited**

U.S. PATENT DOCUMENTS

D239,467 S * 4/1976 Adriaan D16/229
D572,024 S * 7/2008 Shapiro D6/301
D728,977 S * 5/2015 Wittenberg A47G 1/02
D6/663
D732,299 S * 6/2015 Swick A47G 1/065
D6/301
D801,703 S * 11/2017 Robertson D6/300
D877,520 S * 3/2020 Estores D6/301
D881,588 S * 4/2020 Zhu D6/310
D884,363 S * 5/2020 Narzikul D6/300

(Continued)

1 Claim, 14 Drawing Sheets



(56)

References Cited

U.S. PATENT DOCUMENTS

D919,308 S * 5/2021 Yang D6/301
2016/0206120 A1 * 7/2016 Kressin A47G 1/1653
2018/0199695 A1 * 7/2018 Friedman A47G 1/04
2019/0082863 A1 * 3/2019 Kressin F16M 11/046
2020/0268181 A1 * 8/2020 Kressin A45D 42/00

FOREIGN PATENT DOCUMENTS

EM 008534879-0001 * 5/2021
EM 008617757-0001 * 7/2021
EM 008631501-0002 * 7/2021

OTHER PUBLICATIONS

Rechargeable 3 Way Mirror [online], [site visited Sep. 8, 2021].
Available from internet, URL: <https://www.amazon.com/Rechargeable-Mirror-Cutting-Adjustable-360%C2%B0Door/dp/B097S136MC/ref=psdc_3785121_t2_B0813WWWDT?th=1> (Year: 2021).*

* cited by examiner

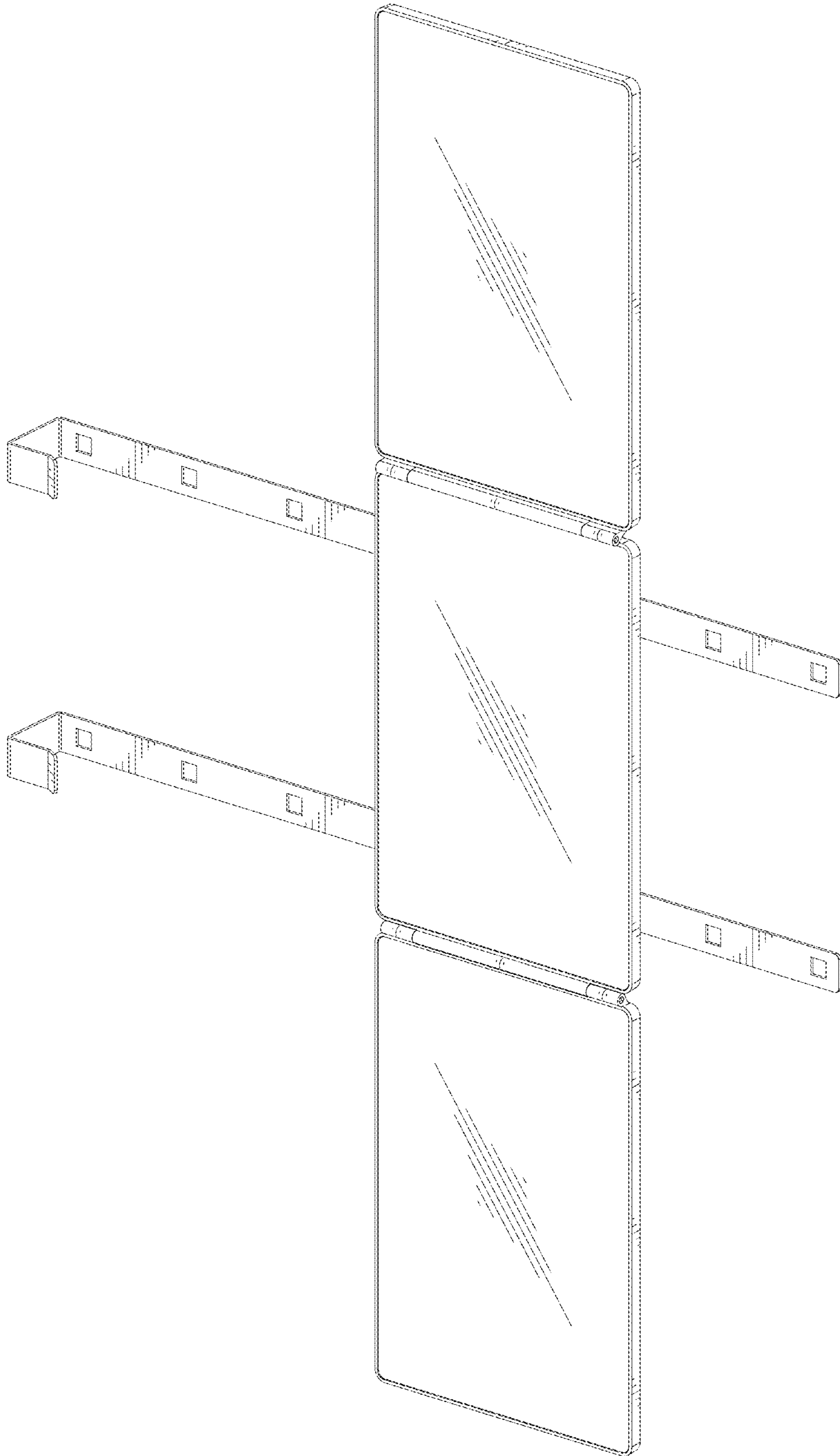


FIG.1

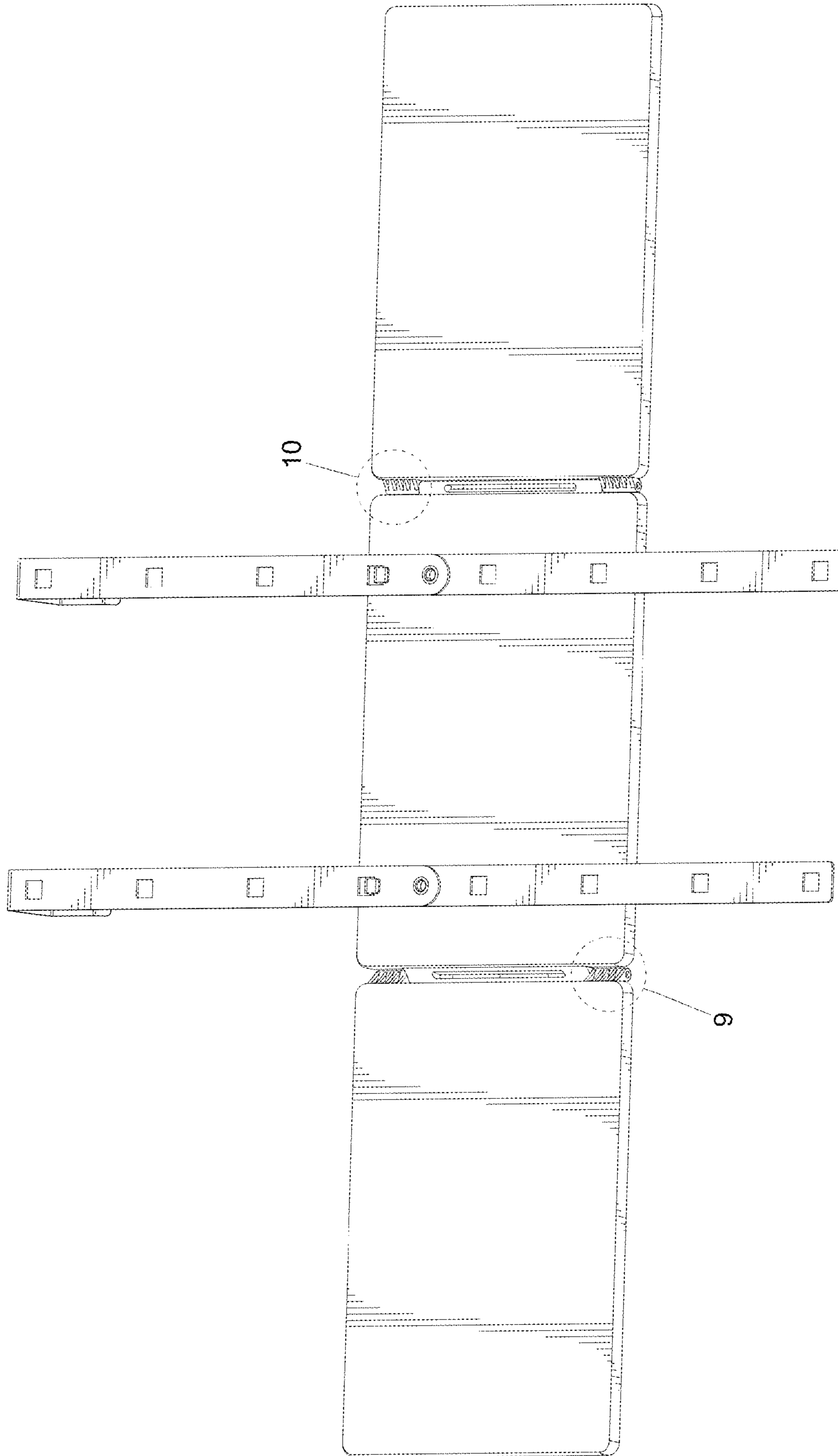


FIG.2

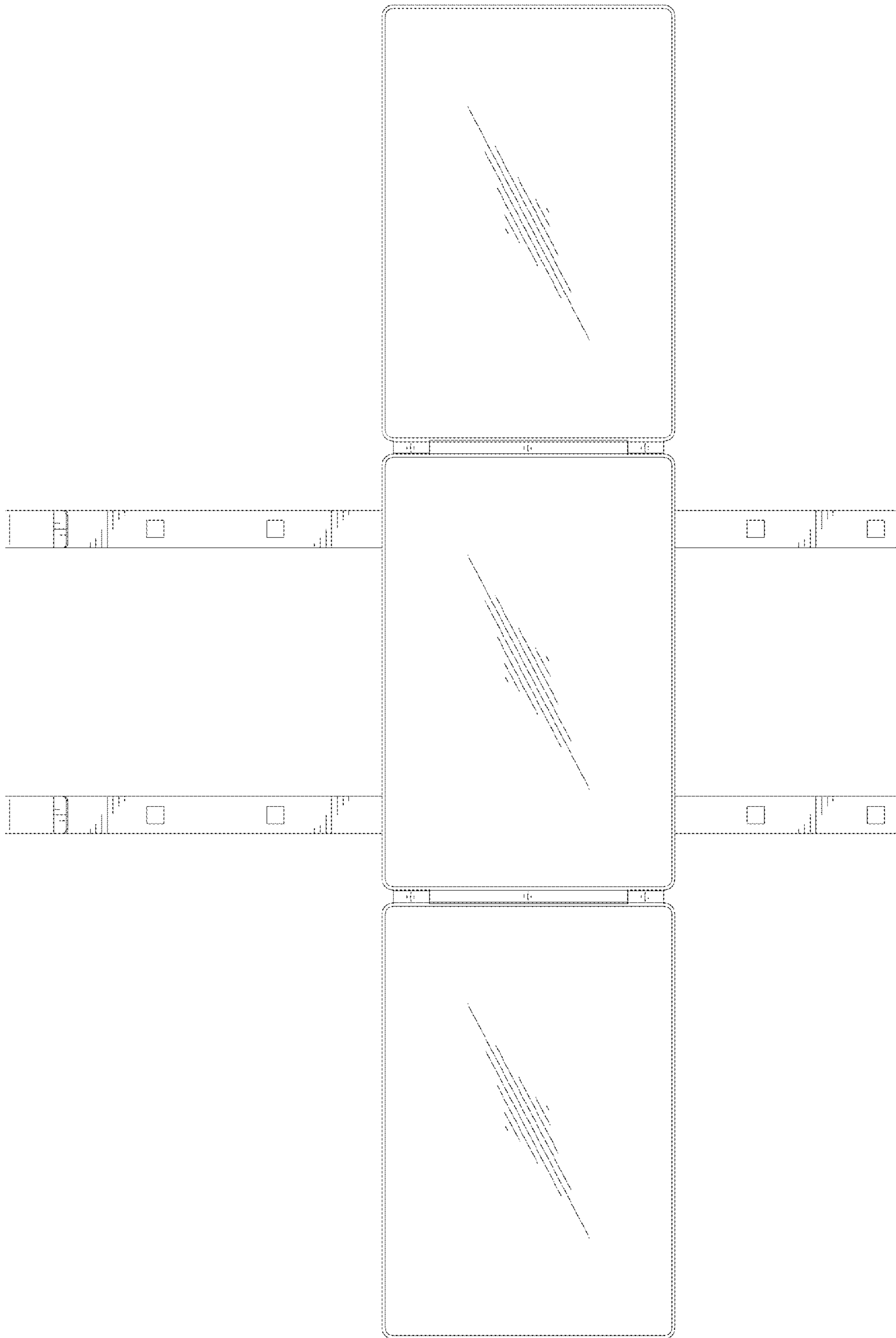


FIG.3

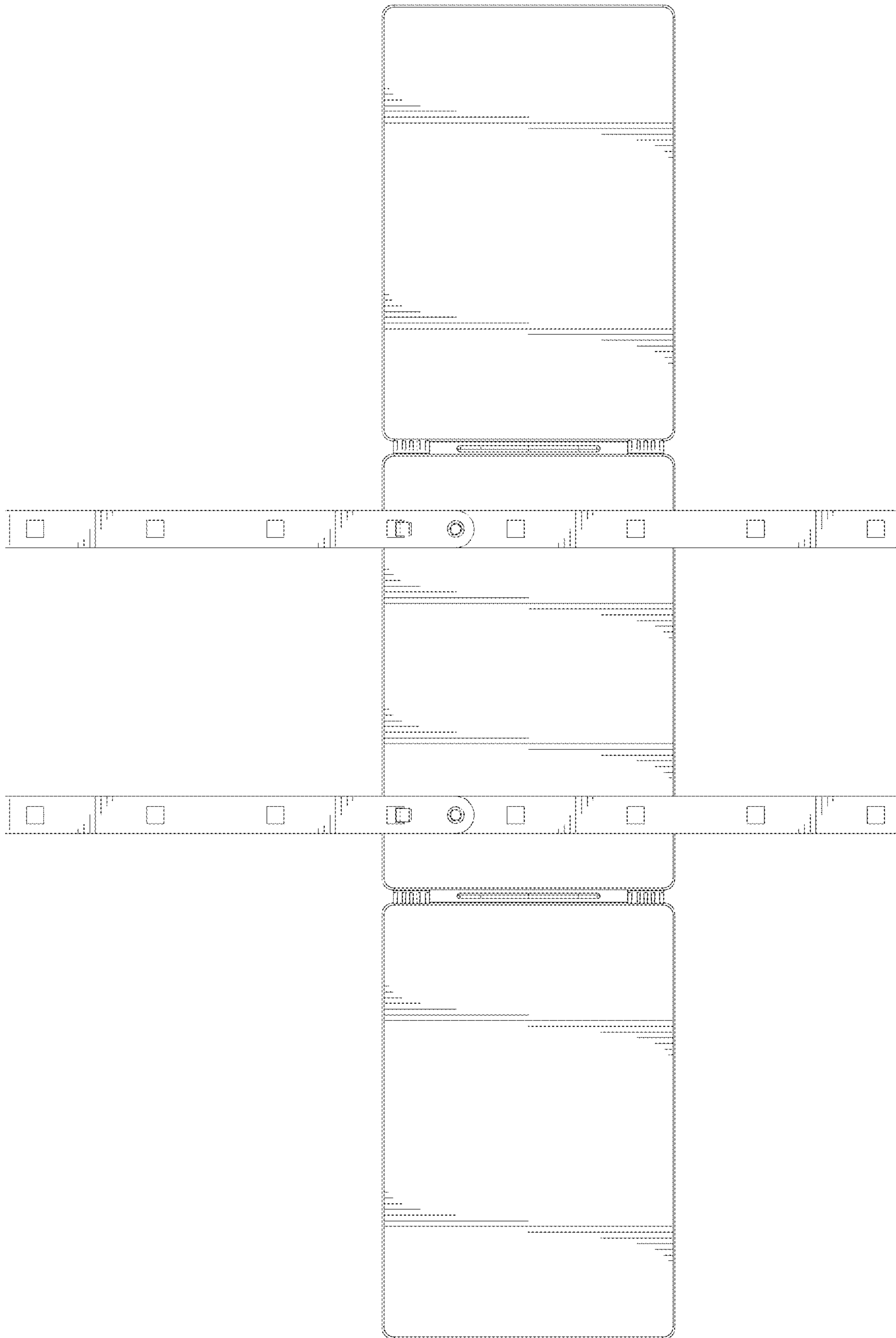


FIG.4

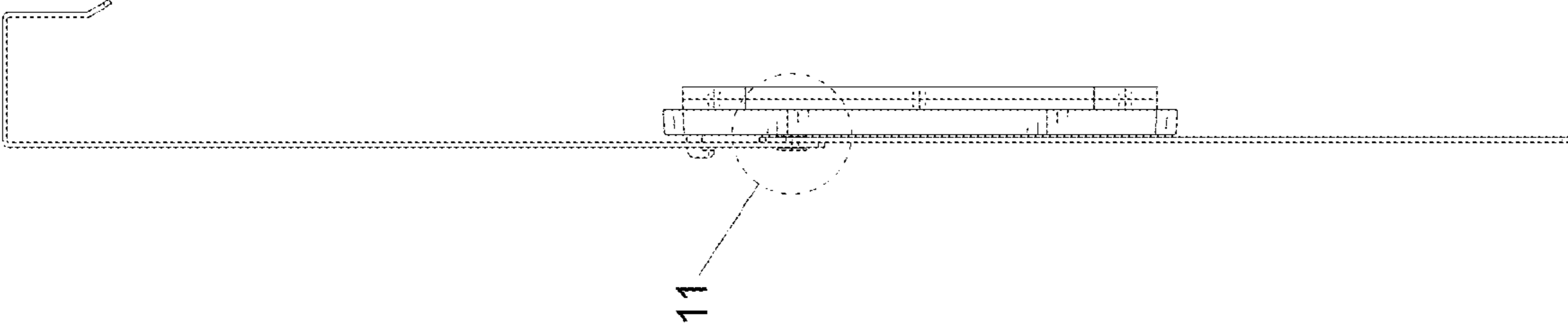


FIG.5

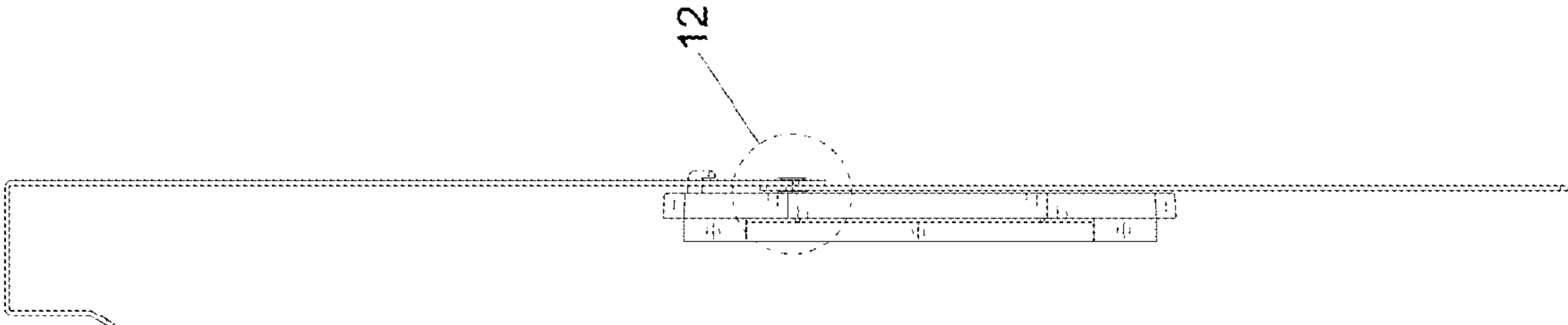


FIG.6

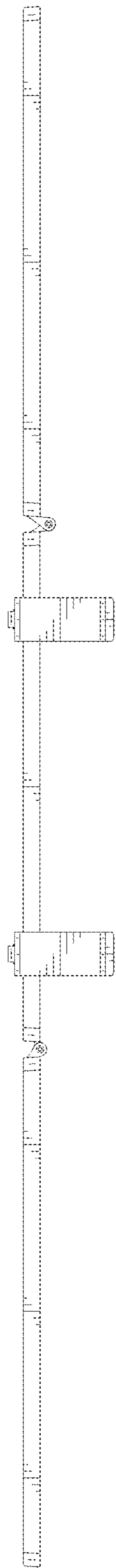


FIG.7

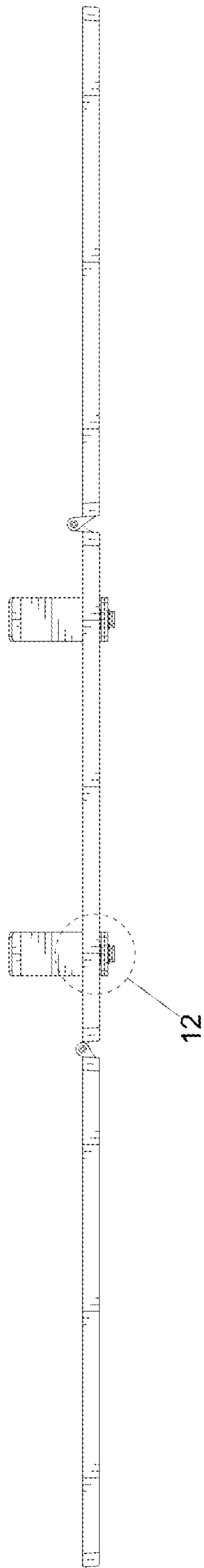


FIG.8

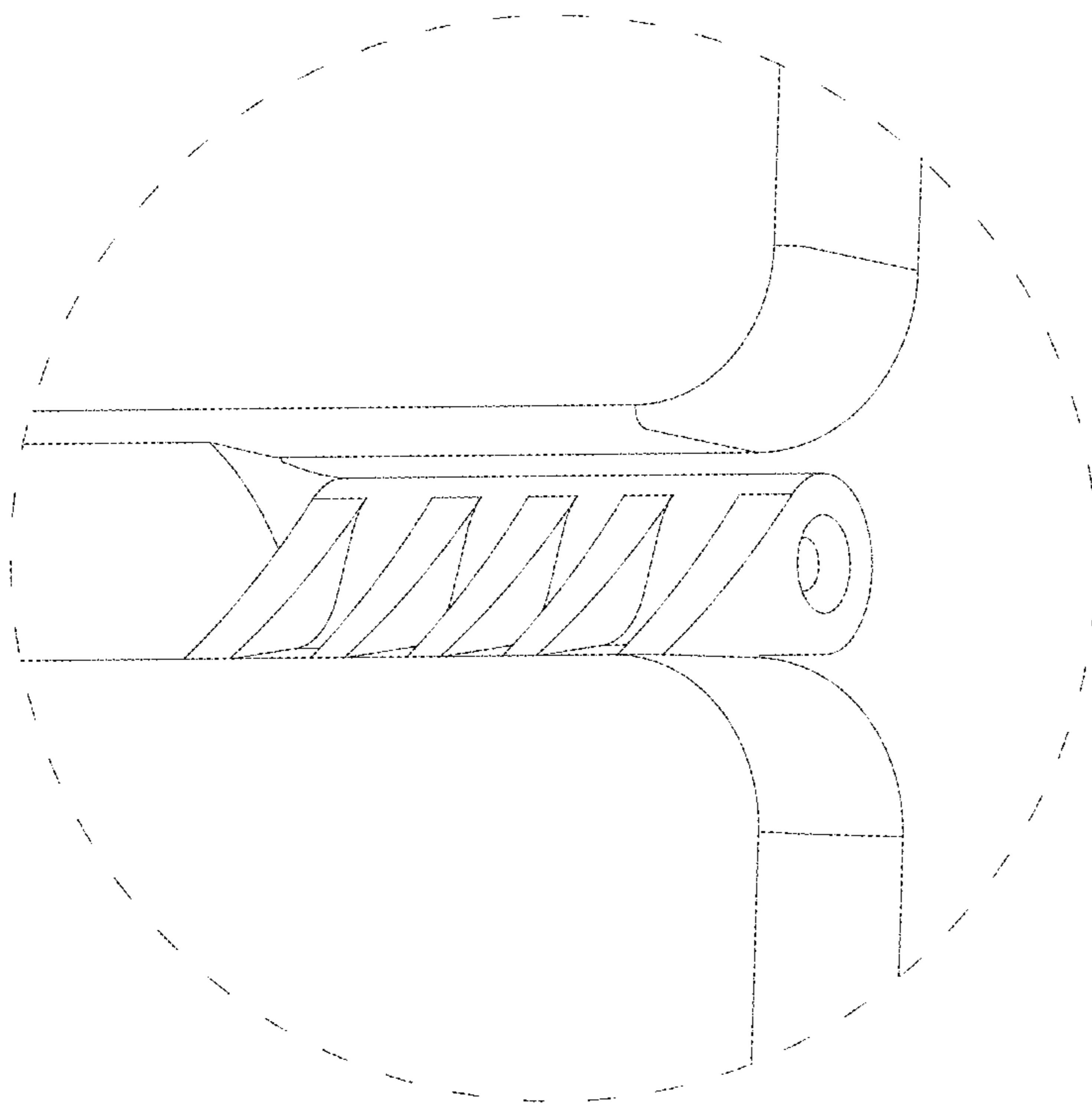


FIG. 9

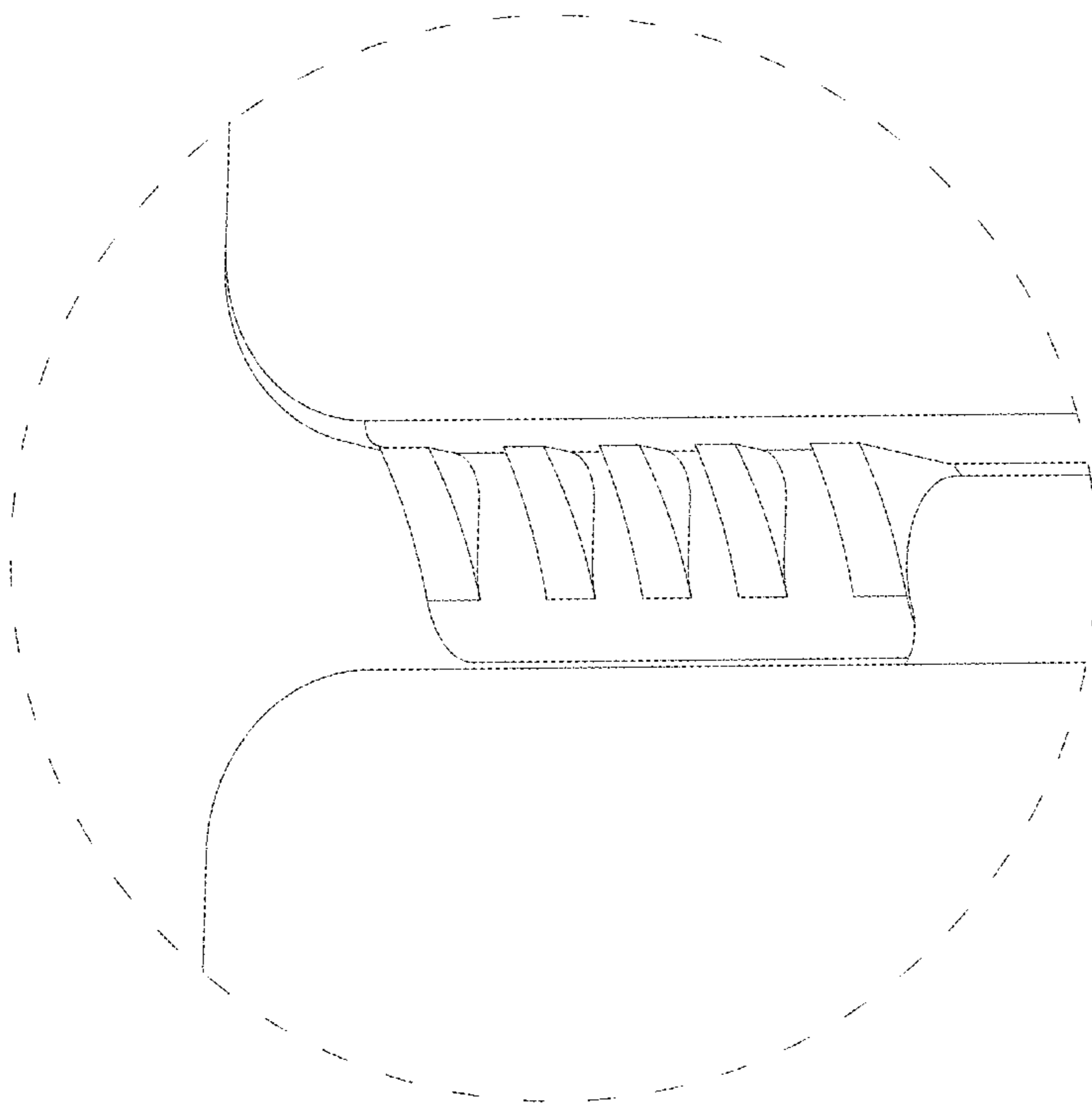


FIG. 10

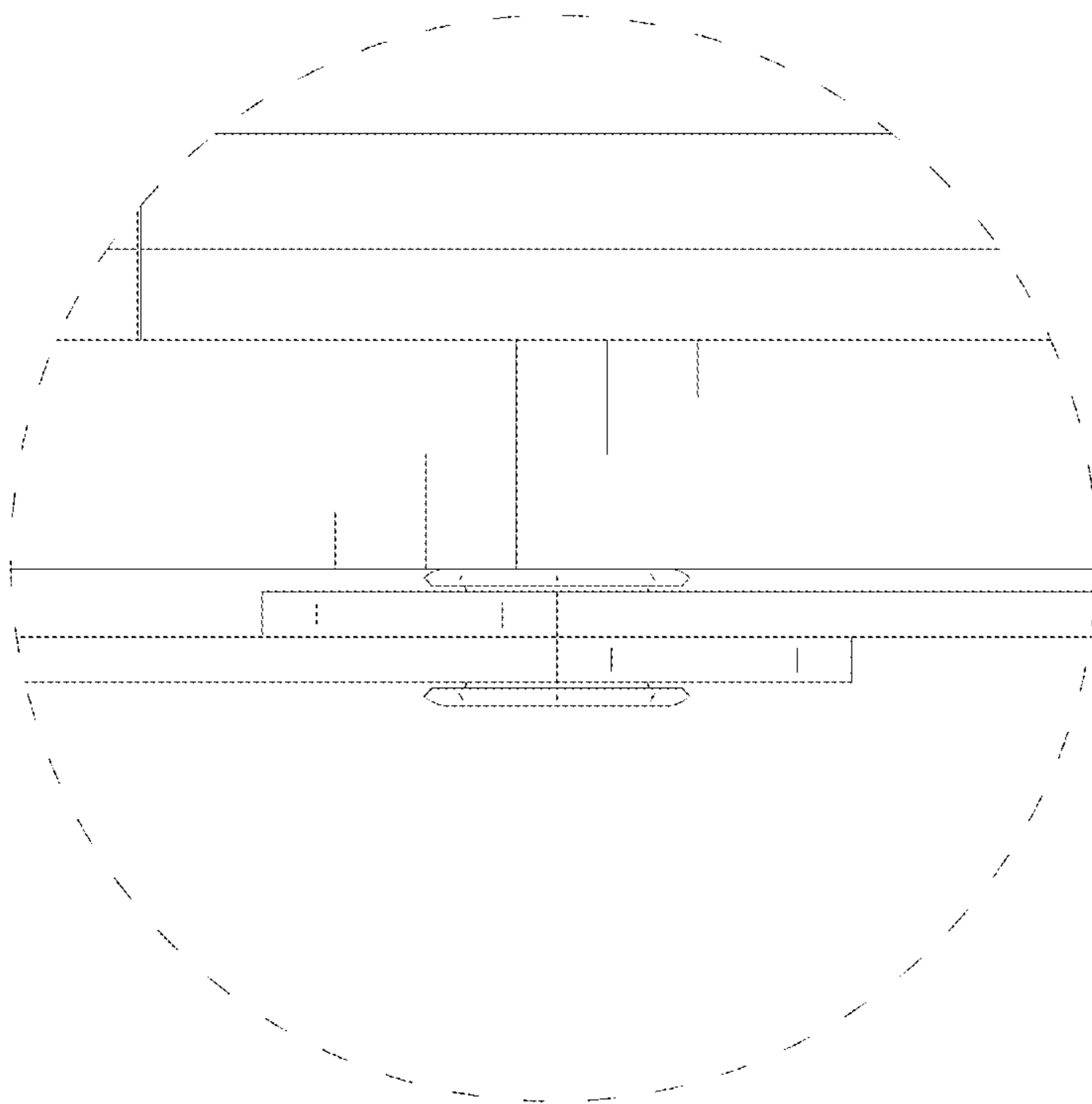


FIG.11

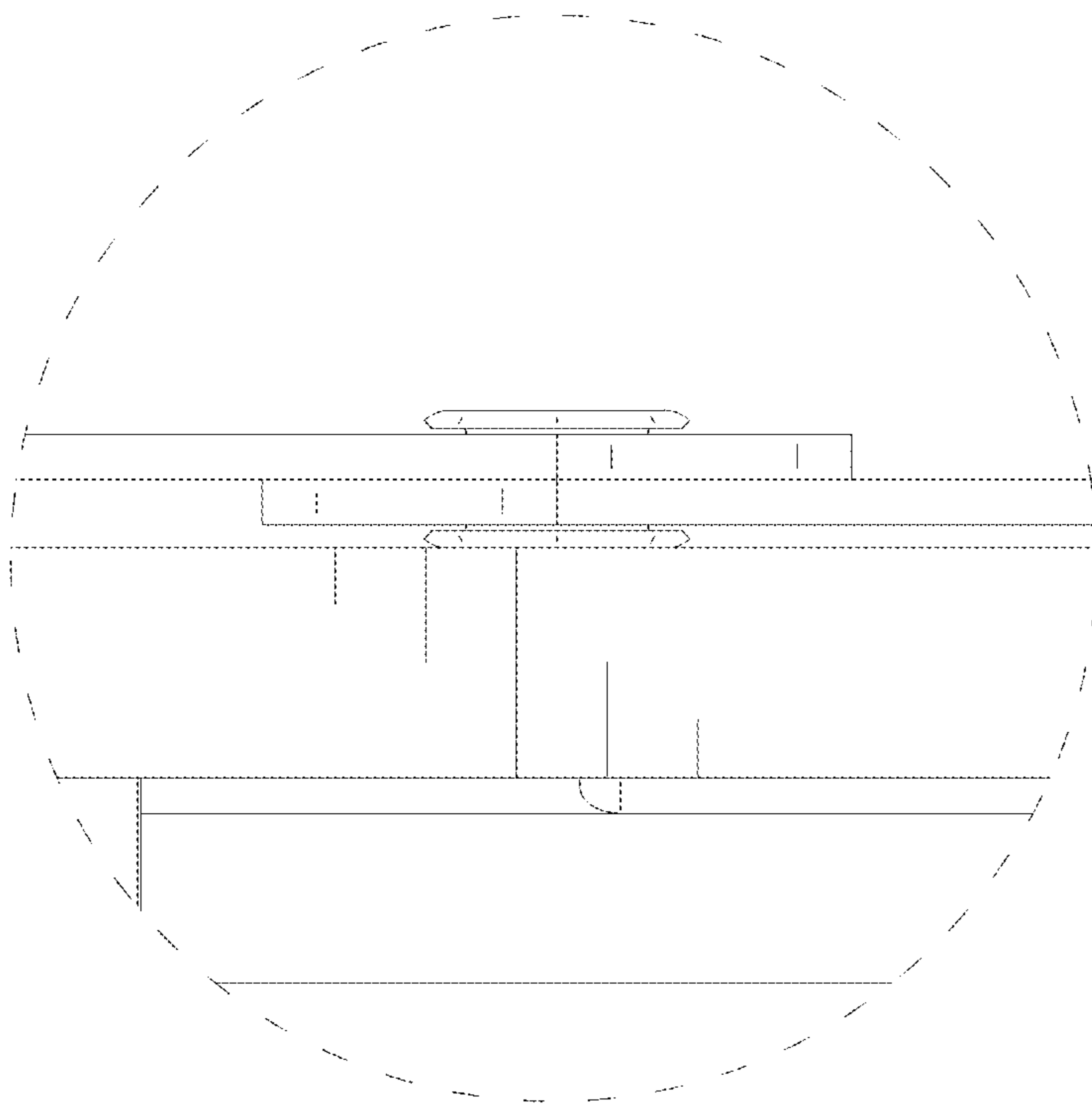


FIG.12

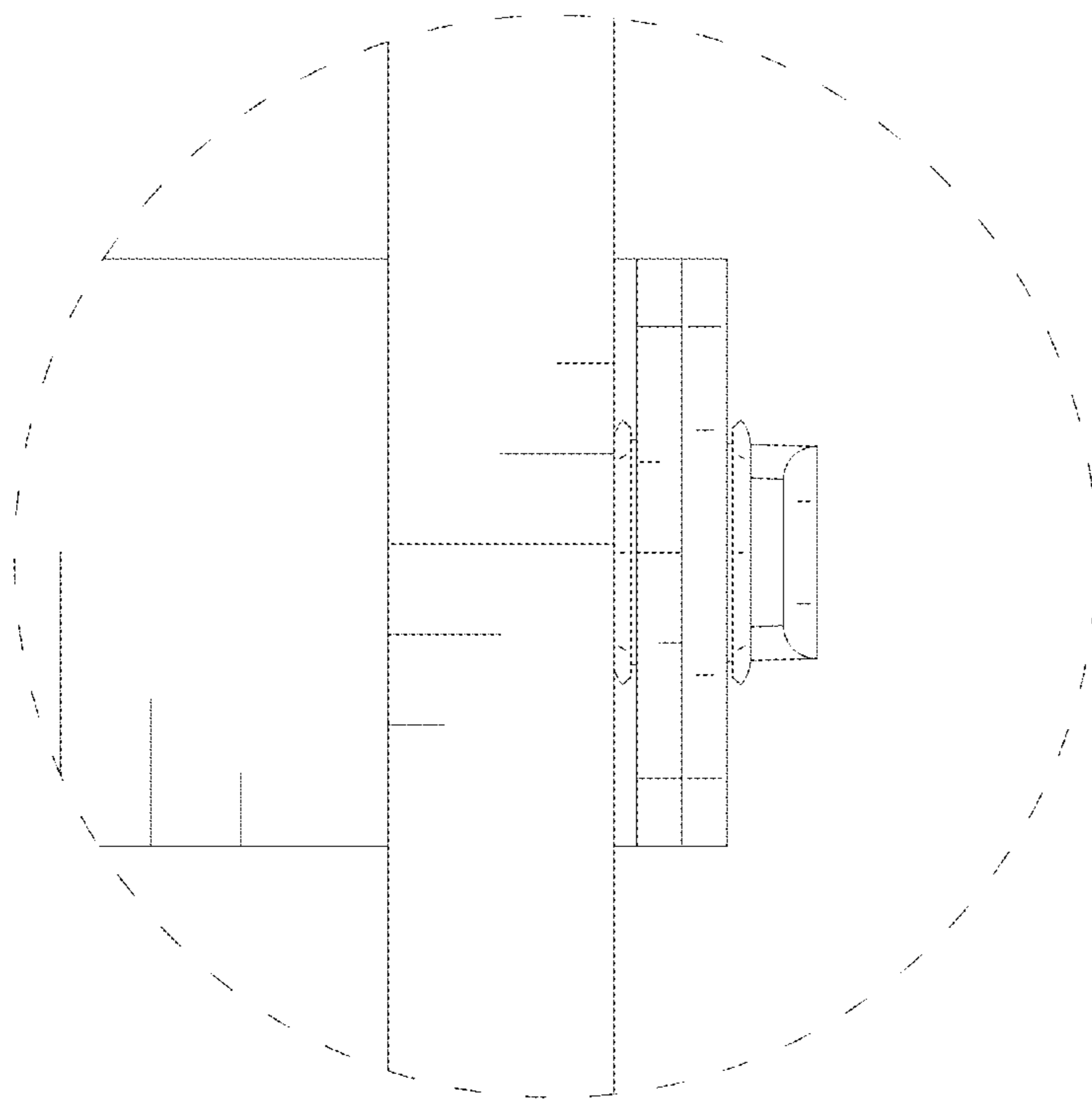


FIG.13

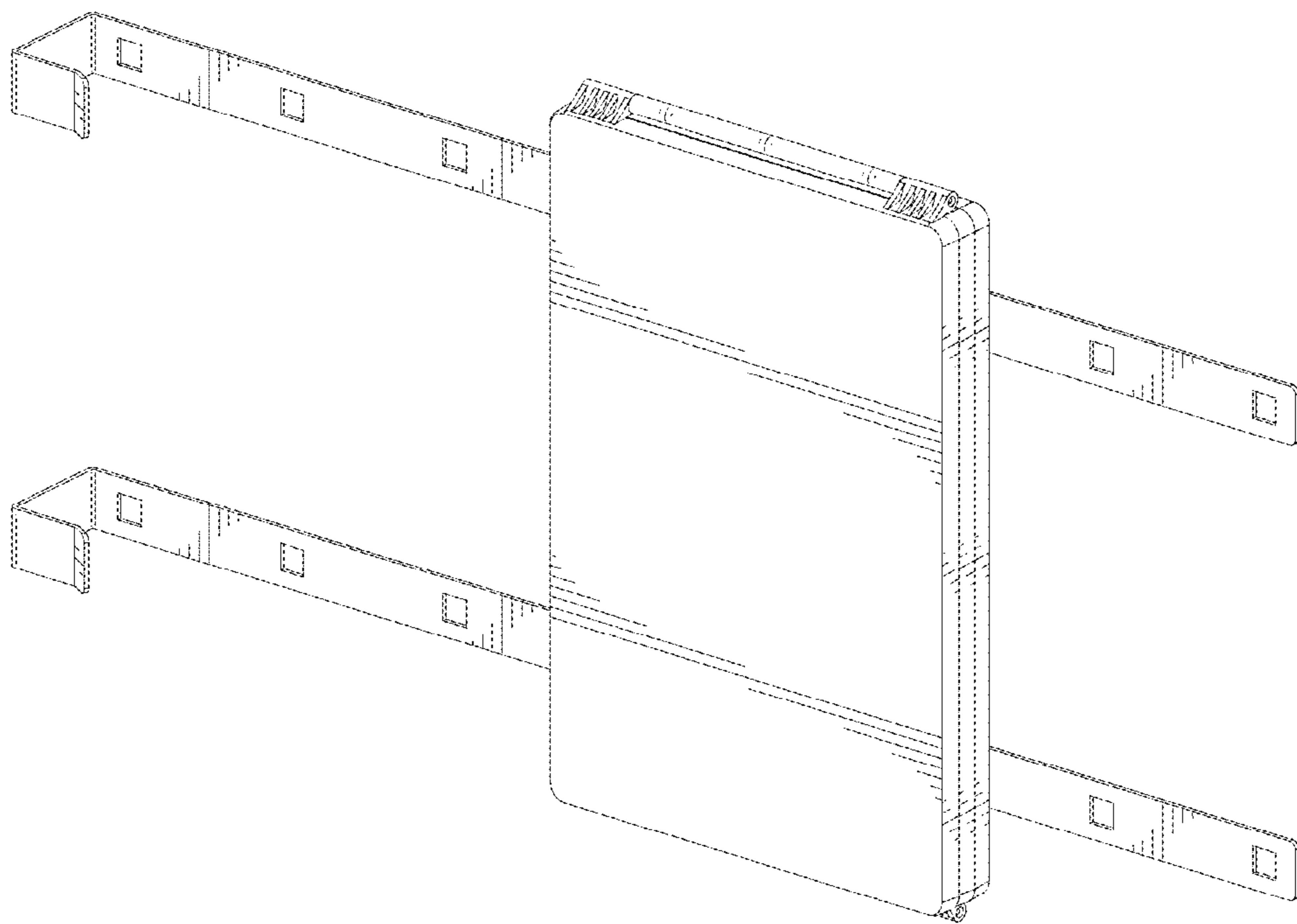


FIG.14