



US00D934572S

(12) **United States Design Patent**
Bianco

(10) **Patent No.:** **US D934,572 S**

(45) **Date of Patent:** **** Nov. 2, 2021**

(54) **COSMETIC APPLICATOR**

(71) Applicant: **Dorien Bianco**, Zetjun (MT)

(72) Inventor: **Dorien Bianco**, Zetjun (MT)

(**) Term: **15 Years**

(21) Appl. No.: **29/745,449**

(22) Filed: **Aug. 6, 2020**

(51) **LOC (13) Cl.** **28-03**

(52) **U.S. Cl.**

USPC **D4/134**; D4/121; D4/136

(58) **Field of Classification Search**

USPC D4/100, 102, 114, 115, 116, 117, 118,
D4/119, 120, 121, 122, 123, 127, 128,
D4/129, 130, 132, 133, 134, 135, 136,
D4/137, 138, 199; D28/21, 24, 30, 34, 7;
D30/158, 159

CPC A46B 5/02; A46B 5/0095; A46B 7/06;
A46B 13/02; A46B 7/04; A46B 9/021;
A46B 2200/1046; A46B 2200/1053;
A45D 34/042

See application file for complete search history.

(56) **References Cited**

U.S. PATENT DOCUMENTS

3,167,800 A * 2/1965 Mundo B60S 3/06
15/179
D289,828 S * 5/1987 Bautista D4/136
D550,460 S * 9/2007 Dunn D4/128

D708,443 S * 7/2014 Rutigliano A46B 9/021
D4/128
D720,138 S * 12/2014 Schuler D4/128
9,545,143 B1 * 1/2017 Jacob A46D 1/0253
D798,605 S * 10/2017 Funches D4/128
D843,733 S * 3/2019 Chavana, Jr. D4/128
D848,694 S * 5/2019 Antler D32/35
D867,765 S * 11/2019 Joo D4/128
2019/0281967 A1 * 9/2019 Castex A45D 34/045

* cited by examiner

Primary Examiner — Karen E Eldridge Powers

(57) **CLAIM**

I, claim the ornamental design for a cosmetic applicator, as shown and described.

DESCRIPTION

FIG. 1 is a front elevation view of a cosmetic applicator showing my new design.

FIG. 2 is a left hand side elevation view of the design shown in FIG. 1.

FIG. 3 is a right hand side elevation view of the design shown in FIG. 1.

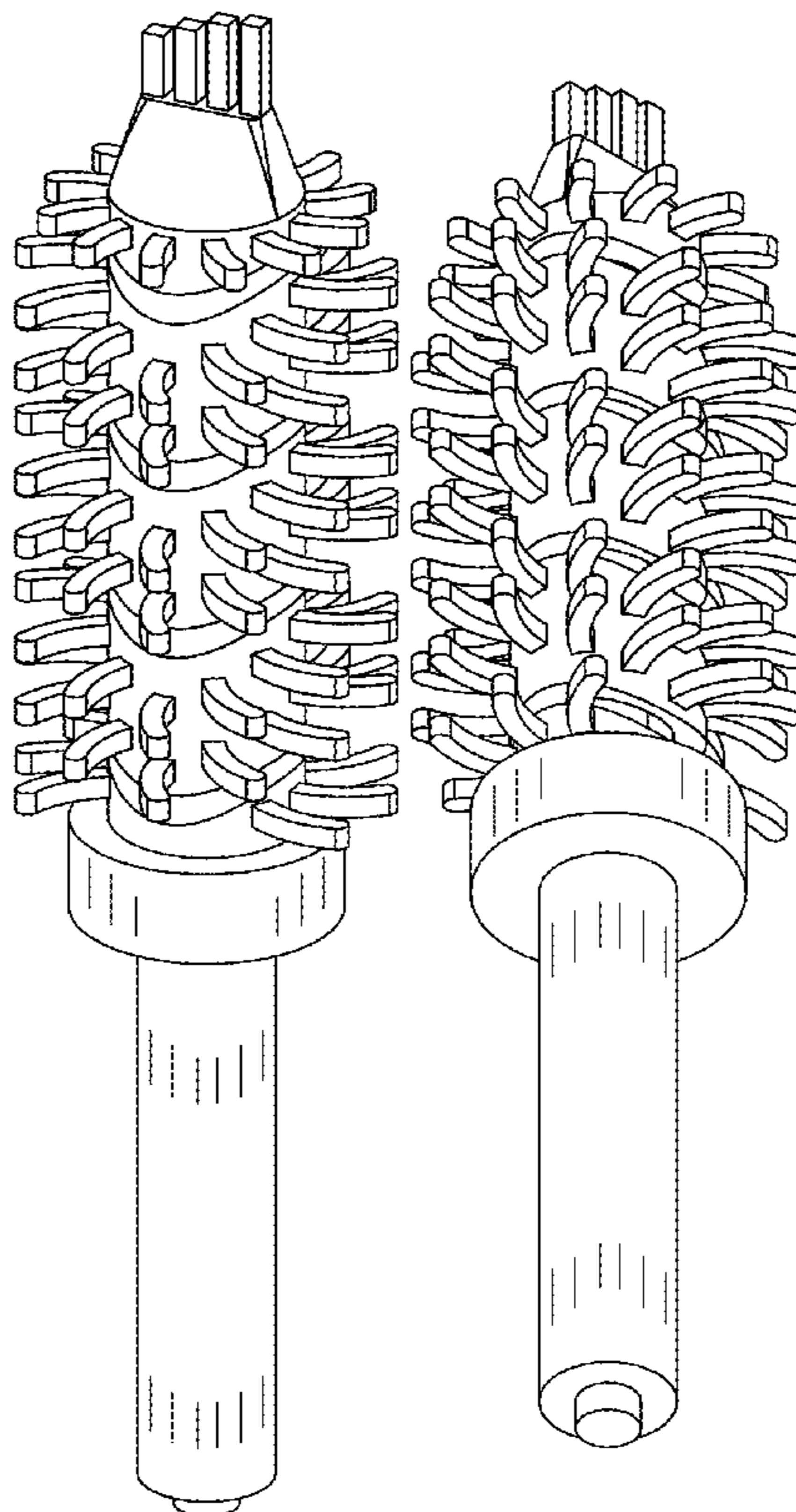
FIG. 4 is a top isometric view of the design shown in FIG. 1.

FIG. 5 is a bottom isometric view of the design shown in FIG. 1.

FIG. 6 is a top perspective view of the design shown in FIG. 1.

FIG. 7 is a top plan view of the design shown in FIG. 1; and, FIG. 8 is a bottom plan view of the design shown in FIG. 1.

1 Claim, 3 Drawing Sheets



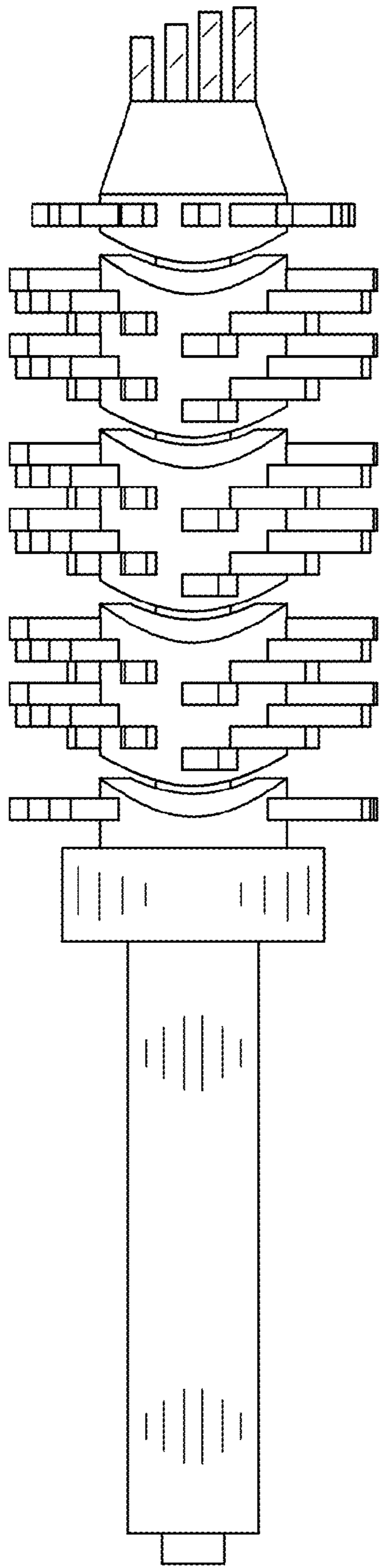


FIG.1

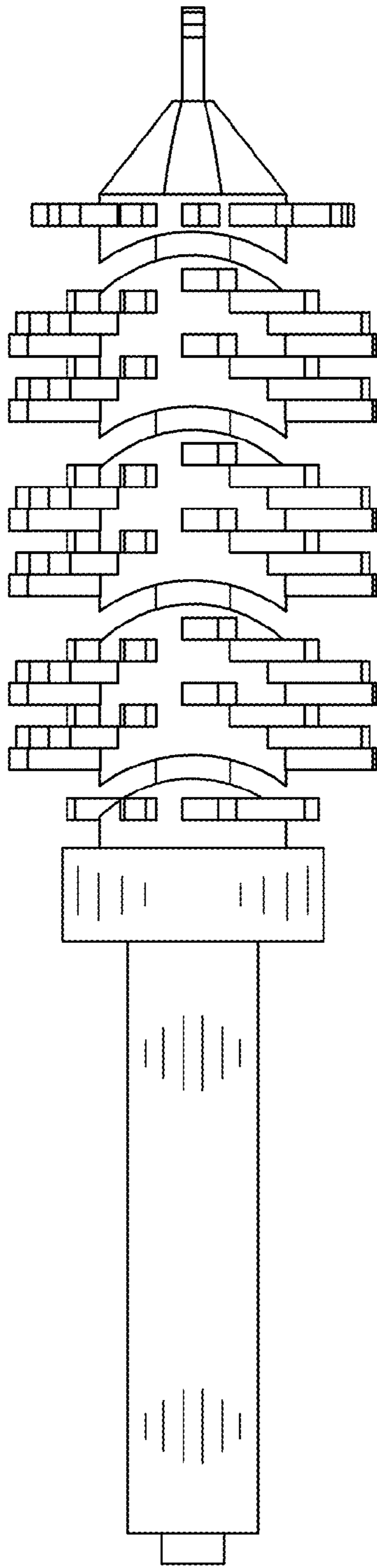


FIG.2

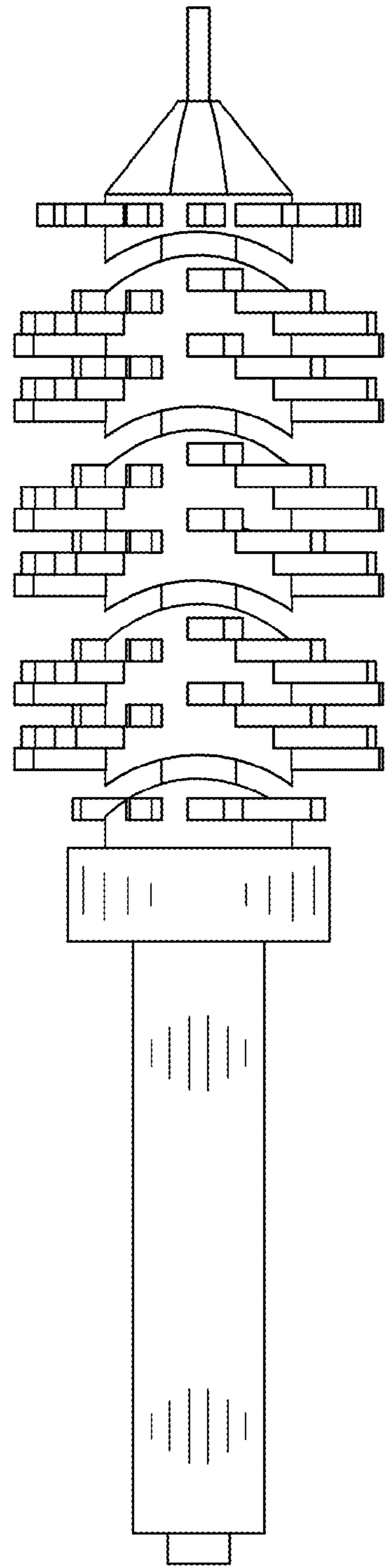


FIG.3

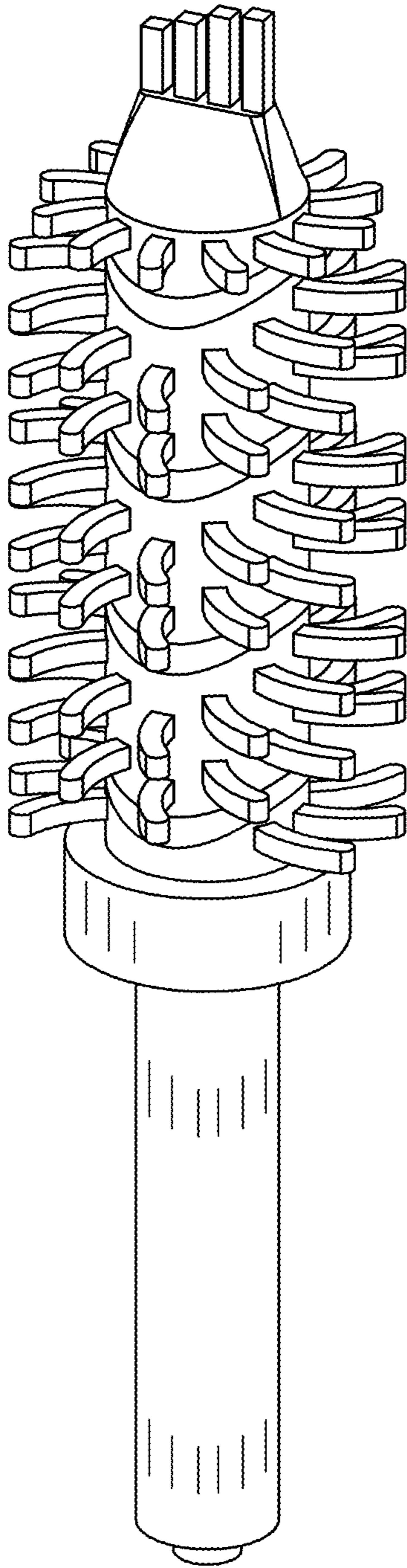


FIG. 4

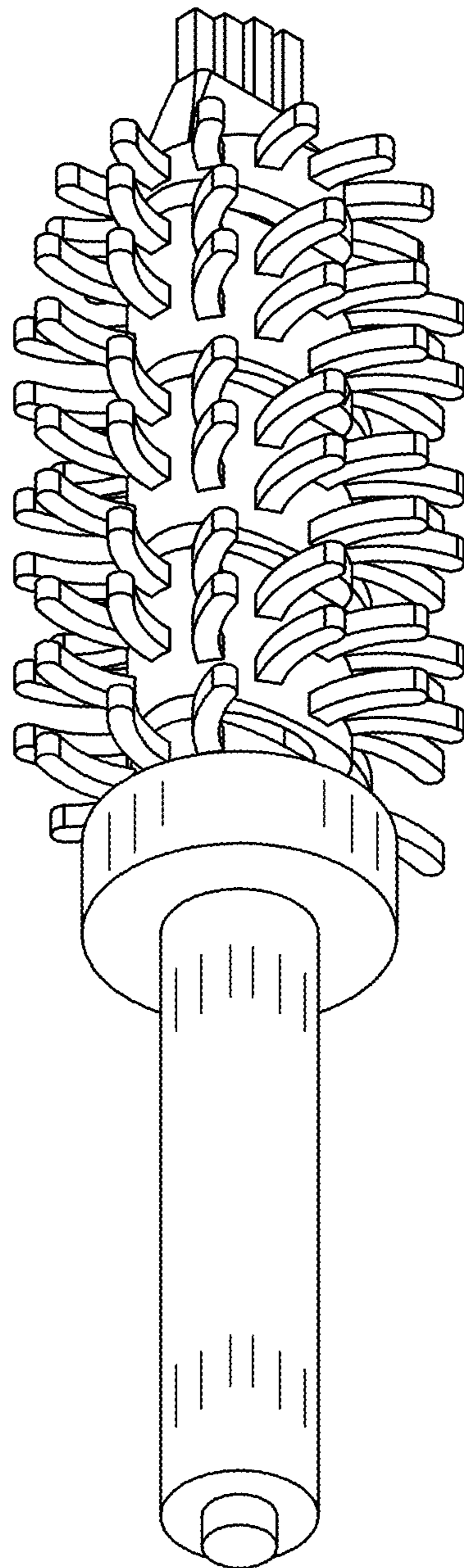


FIG. 5

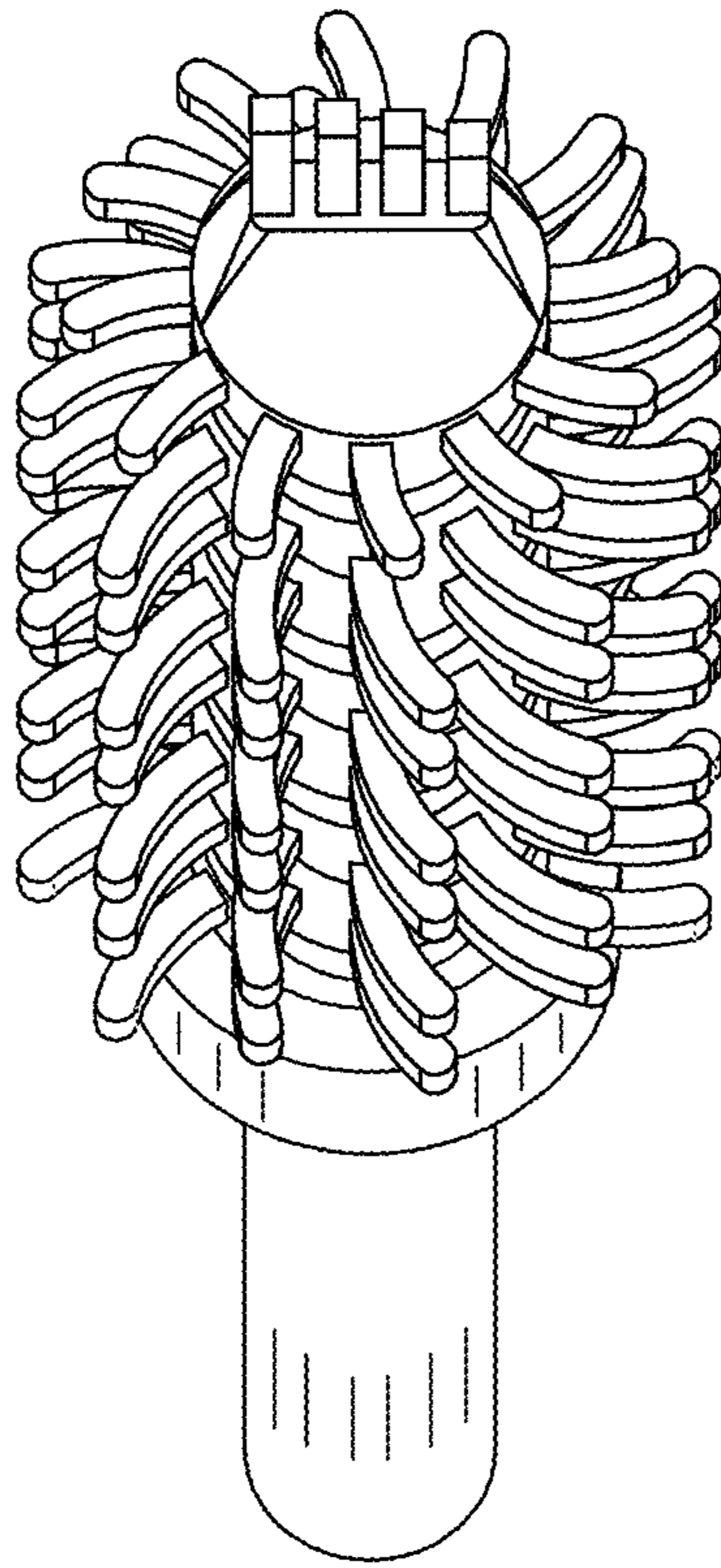


FIG. 6

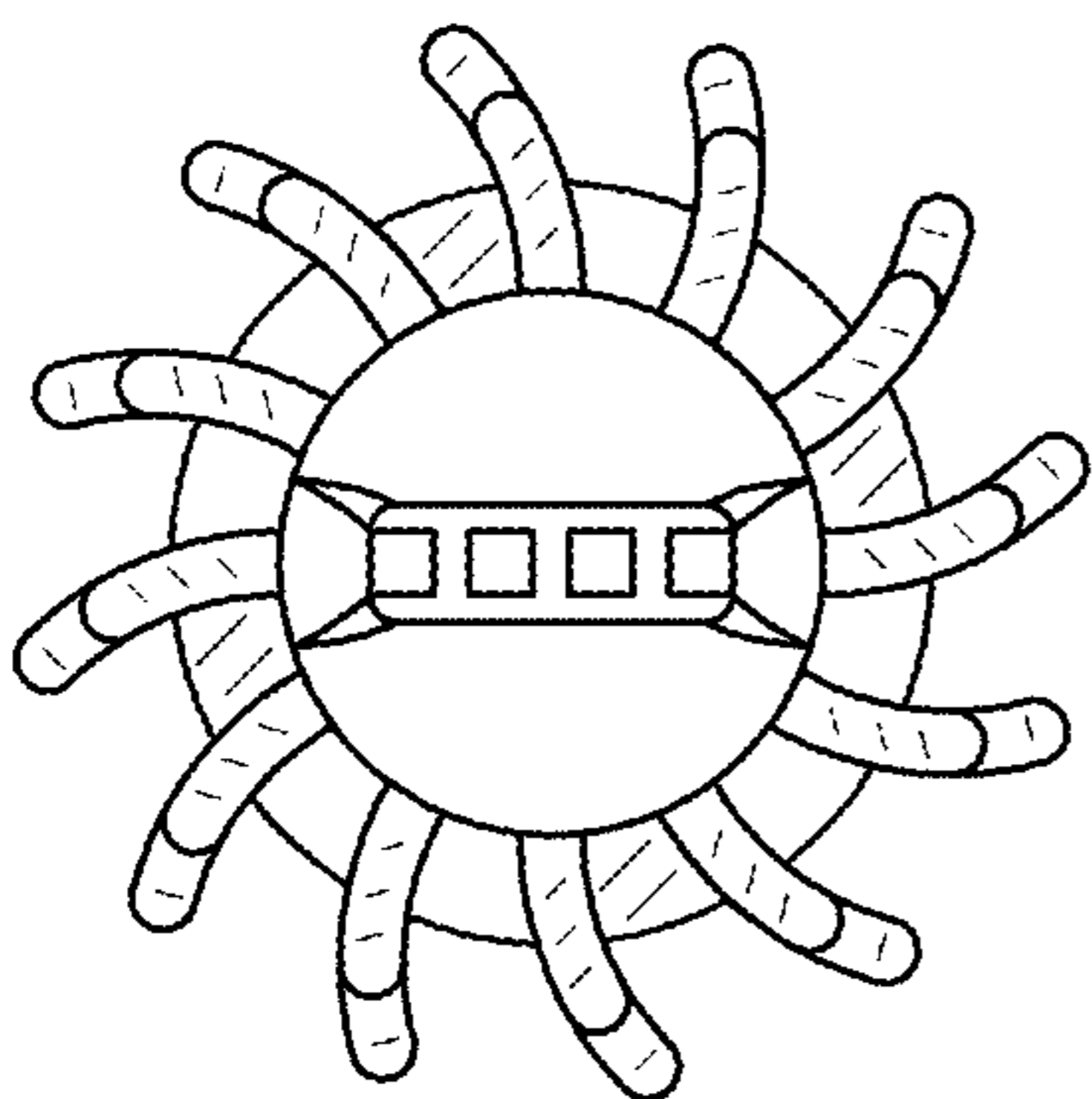


FIG. 7

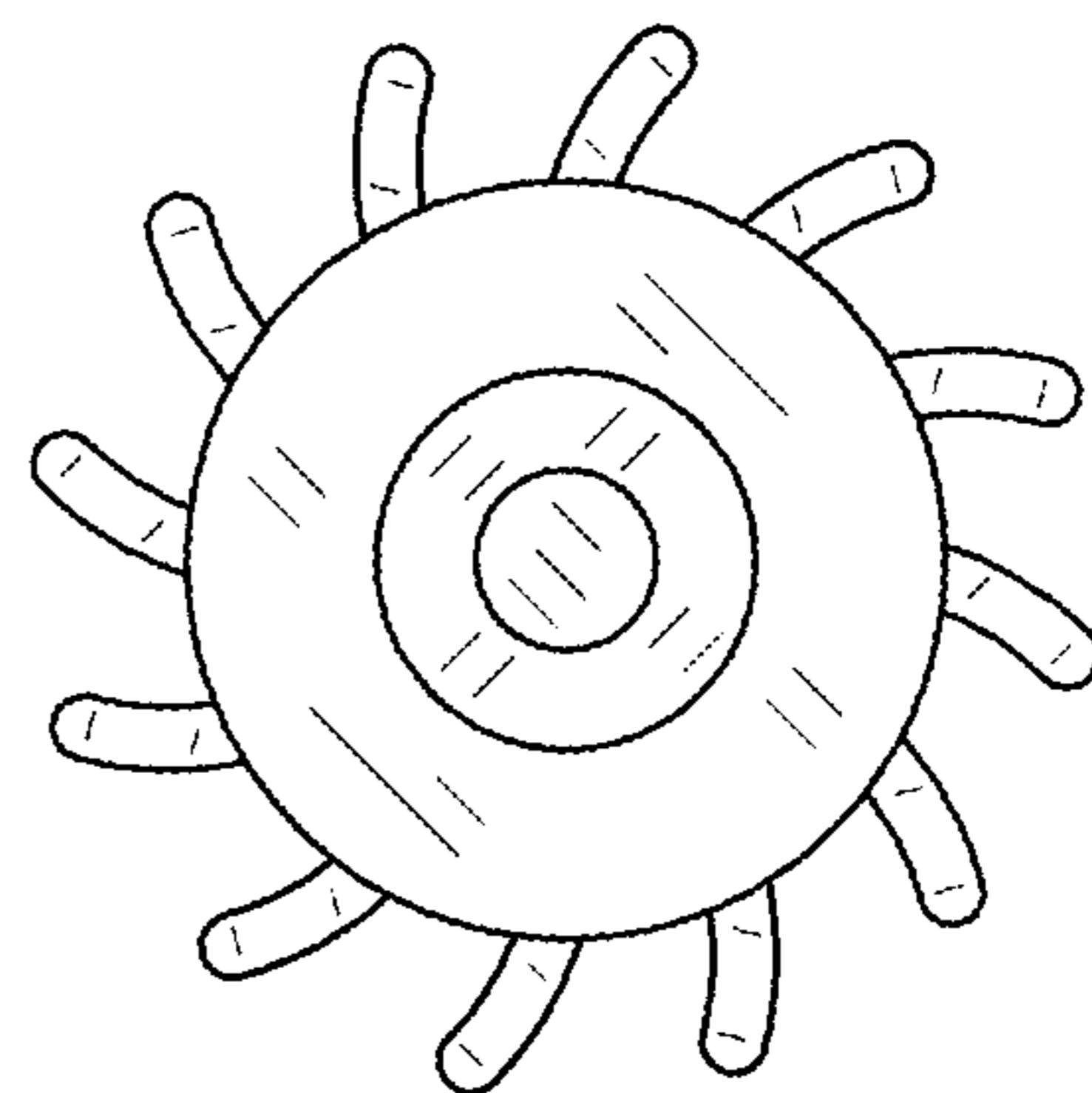


FIG. 8