



US00D934569S

(12) **United States Design Patent** (10) **Patent No.:** **US D934,569 S**
Lian (45) **Date of Patent:** **** Nov. 2, 2021**

(54) **COSMETIC BRUSH**
(71) Applicant: **Hufeng Lian**, Shenzhen (CN)
(72) Inventor: **Hufeng Lian**, Shenzhen (CN)
(**) Term: **15 Years**

D483,182 S * 12/2003 Blaustein D4/101
D660,715 S * 5/2012 Vignone D9/643
D674,252 S * 1/2013 Fu D7/681
D704,514 S * 5/2014 Suess D7/681
D704,516 S * 5/2014 Suess D7/681
D801,544 S * 10/2017 Zinn D24/215
D846,425 S * 4/2019 Lopez Montoya D11/81

(21) Appl. No.: **29/692,565**
(22) Filed: **May 28, 2019**
(51) **LOC (13) Cl.** **04-02**
(52) **U.S. Cl.**
USPC **D4/124**
(58) **Field of Classification Search**
USPC D4/116, 117, 118, 124, 125, 126, 129,
D4/130, 132, 133, 134, 135, 136, 138,
D4/199, 107, 109, 111; D28/4, 6, 7, 8,
D28/8.2, 9, 13; D8/305
CPC A46B 9/021; A46B 9/026; A46B 9/028;
A46B 7/02; A46B 2200/10; A46B
2200/30; A46B 2200/1046; A46B
2200/306; A46B 2200/1006; A46B
2200/1013; A46B 2200/1033; A45D
27/04; A45D 27/06
See application file for complete search history.

OTHER PUBLICATIONS

Multipurpose Ice Cream Makeup Brush . . . [online]. Original publication date unknown. [Retrieved from the Internet Apr. 20, 2021.] <URL: <https://sugarycosmetics.com/products/multipurpose-icecream-makeup-brush-with-sponge-detachable> >.*

* cited by examiner

Primary Examiner — Angela J Lee
Assistant Examiner — Rebekah A Caruso

(57) **CLAIM**

The ornamental design for a cosmetic brush, as shown.

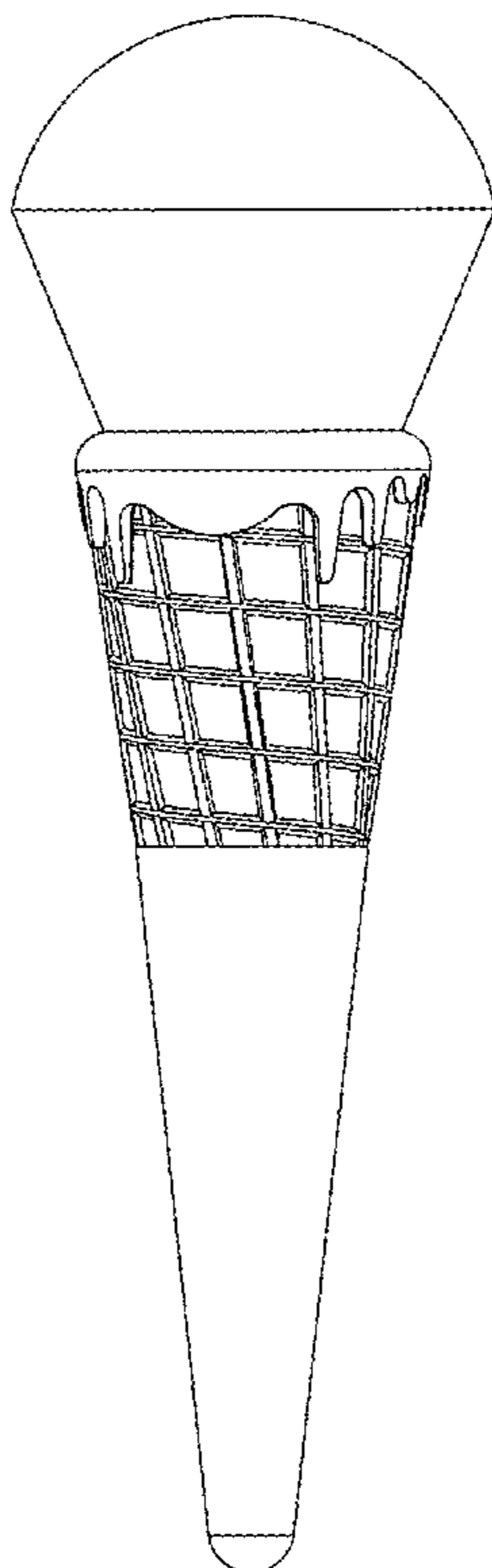
DESCRIPTION

FIG. 1 is a front elevational view of a cosmetic brush showing my new design;
FIG. 2 is a rear elevational view thereof;
FIG. 3 is a left side view thereof;
FIG. 4 is a right side view thereof;
FIG. 5 is a top plan view thereof;
FIG. 6 is a bottom plan view thereof;
FIG. 7 is a perspective view thereof; and,
FIG. 8 is another perspective view thereof.

(56) **References Cited**
U.S. PATENT DOCUMENTS

D191,146 S * 8/1961 Sinrod D9/643
D246,509 S * 11/1977 Hytken D9/643
6,503,014 B2 * 1/2003 Louis A45D 34/045
401/126

1 Claim, 8 Drawing Sheets



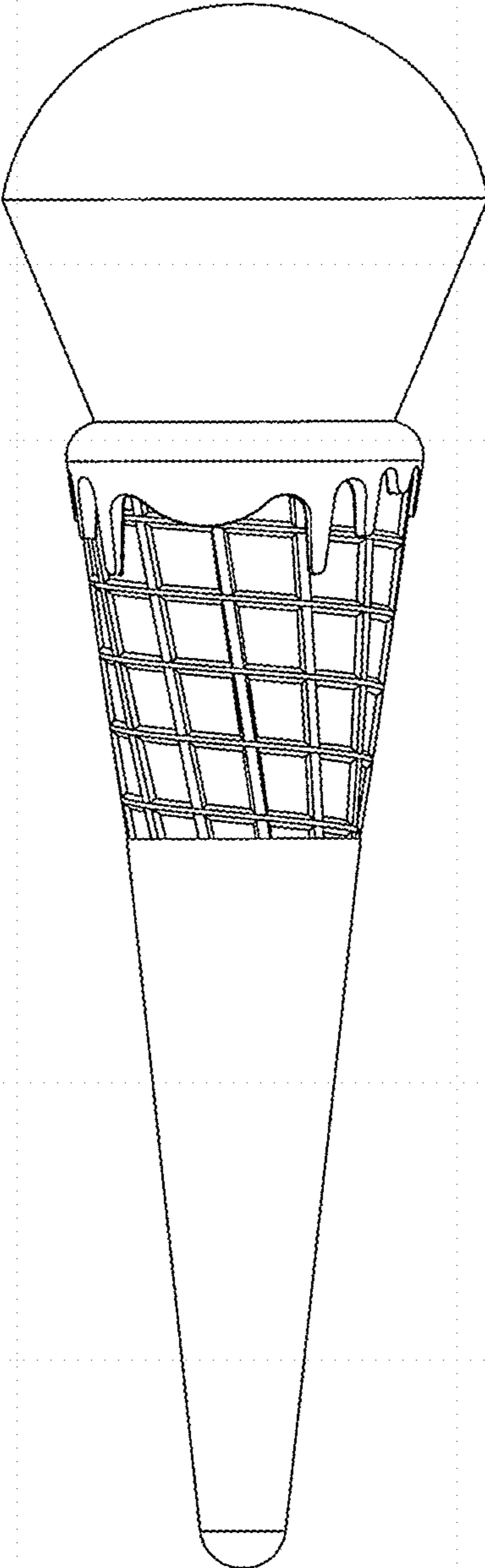


FIG. 1

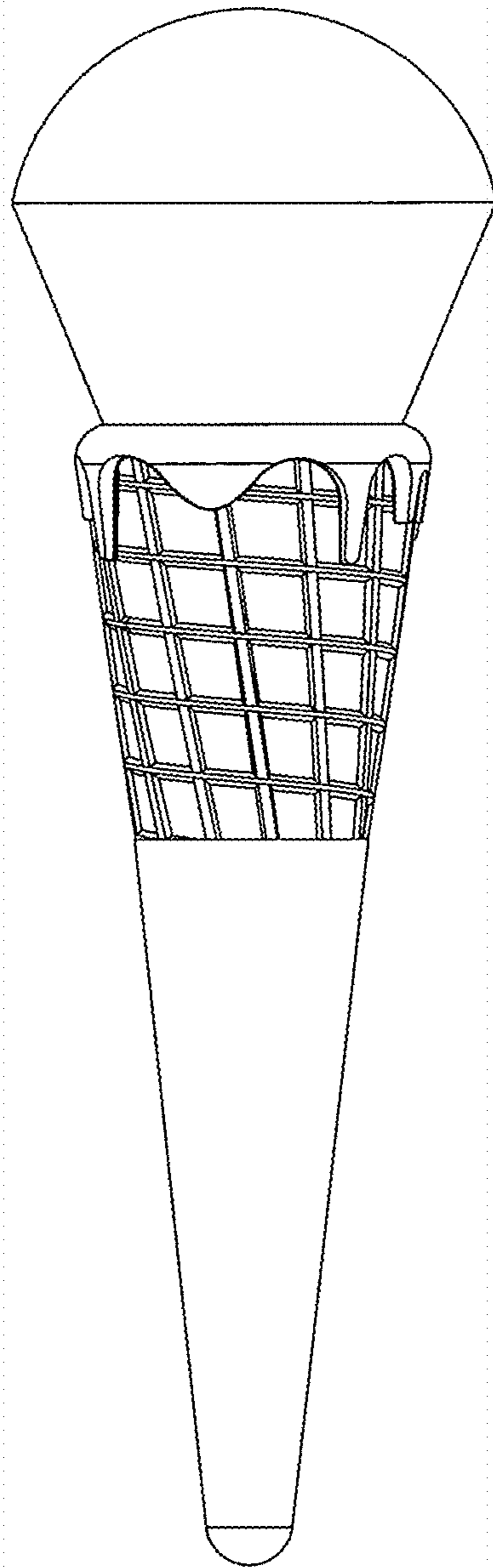


FIG. 2

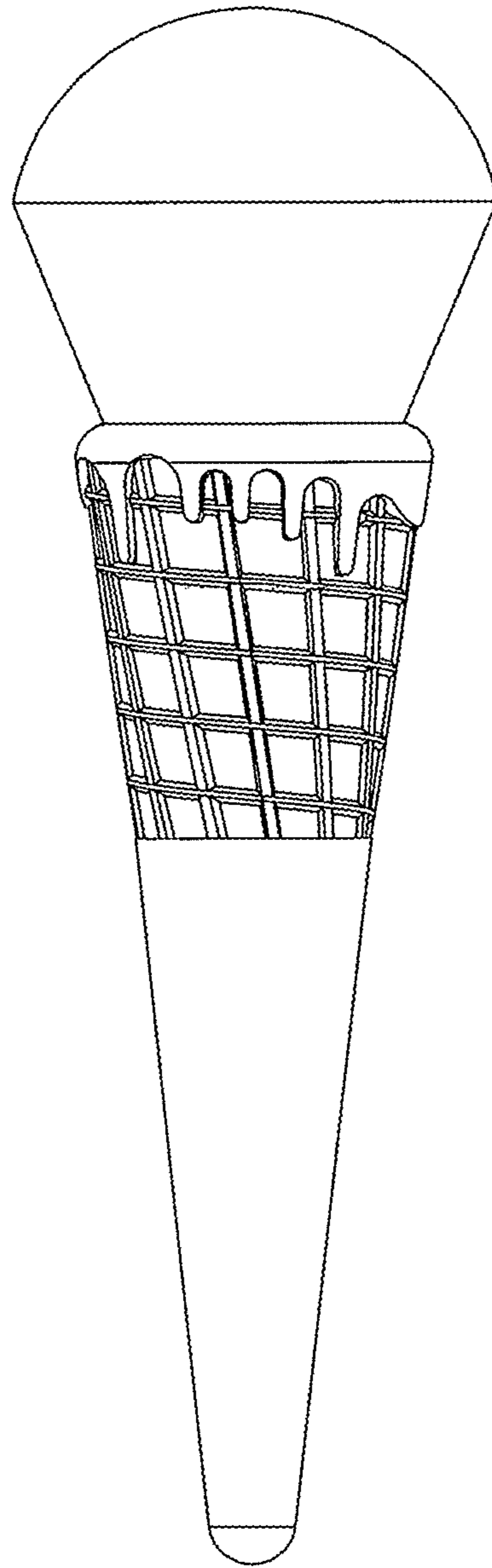


FIG. 3

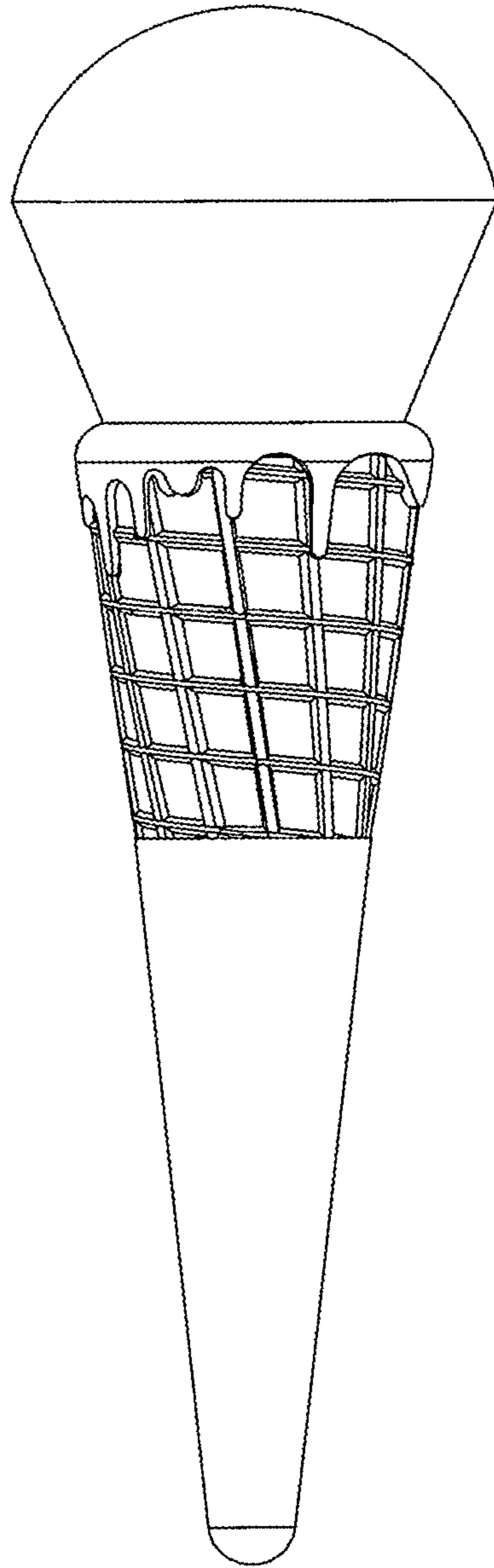


FIG. 4

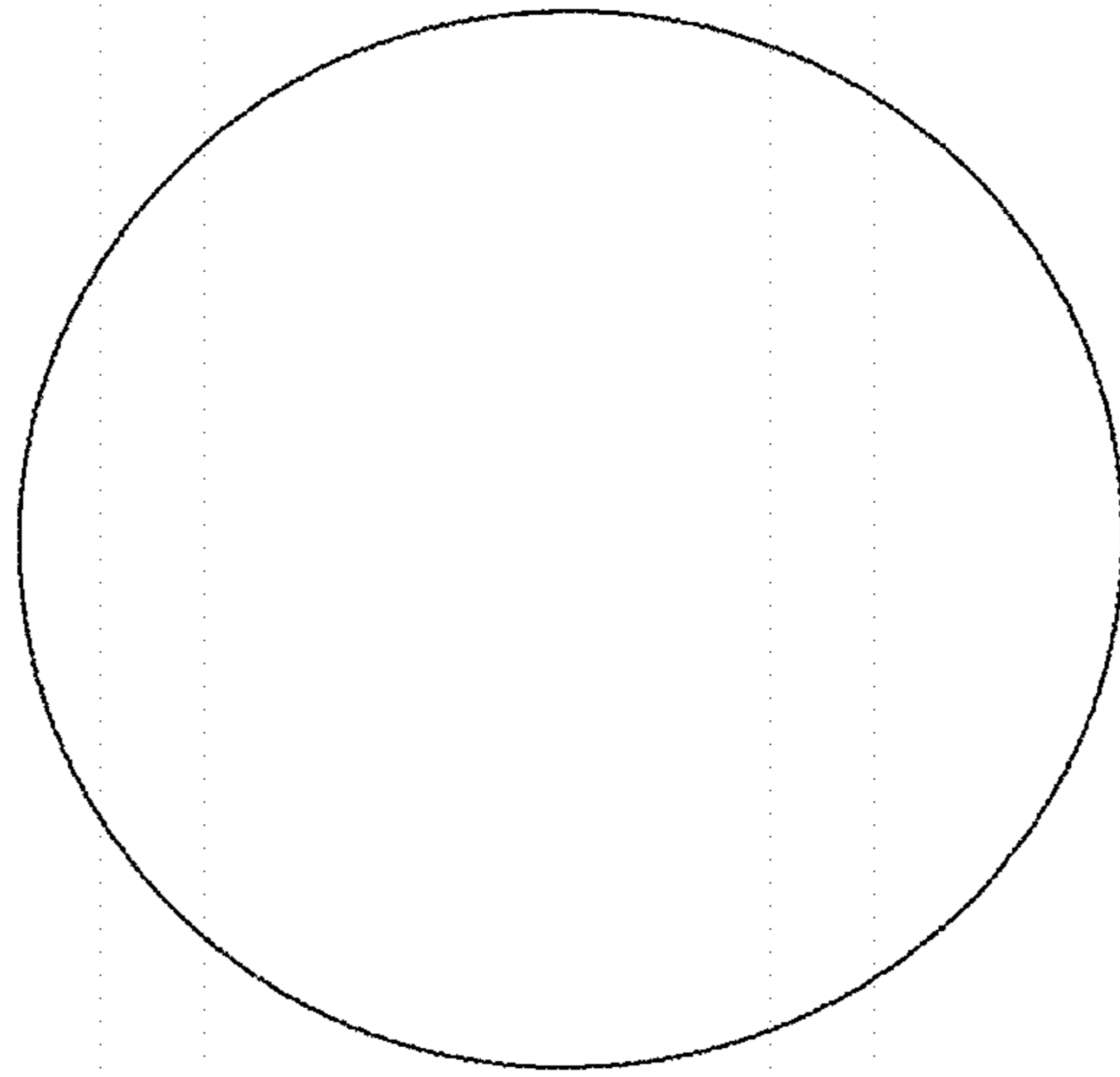


FIG. 5

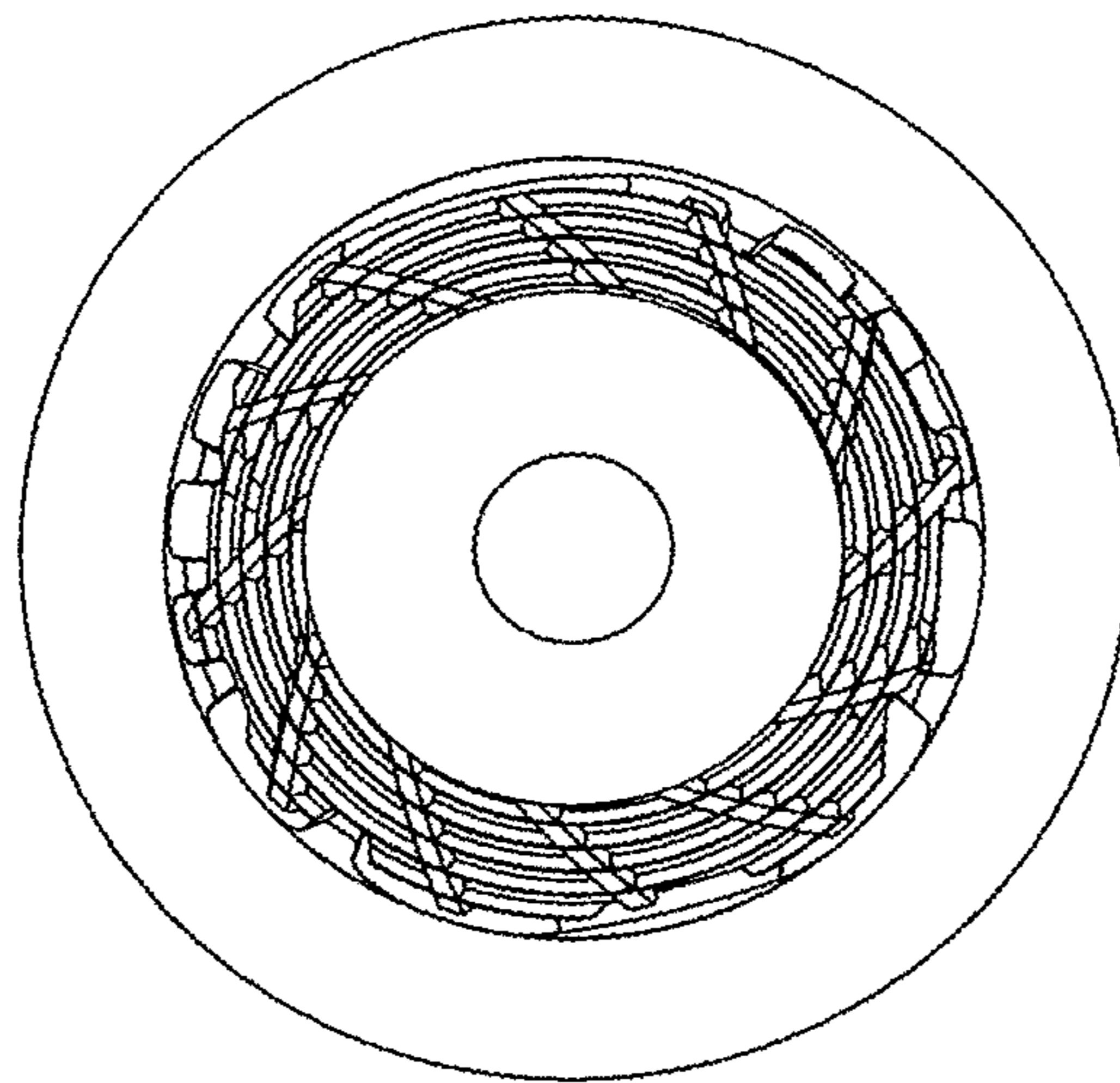


FIG. 6

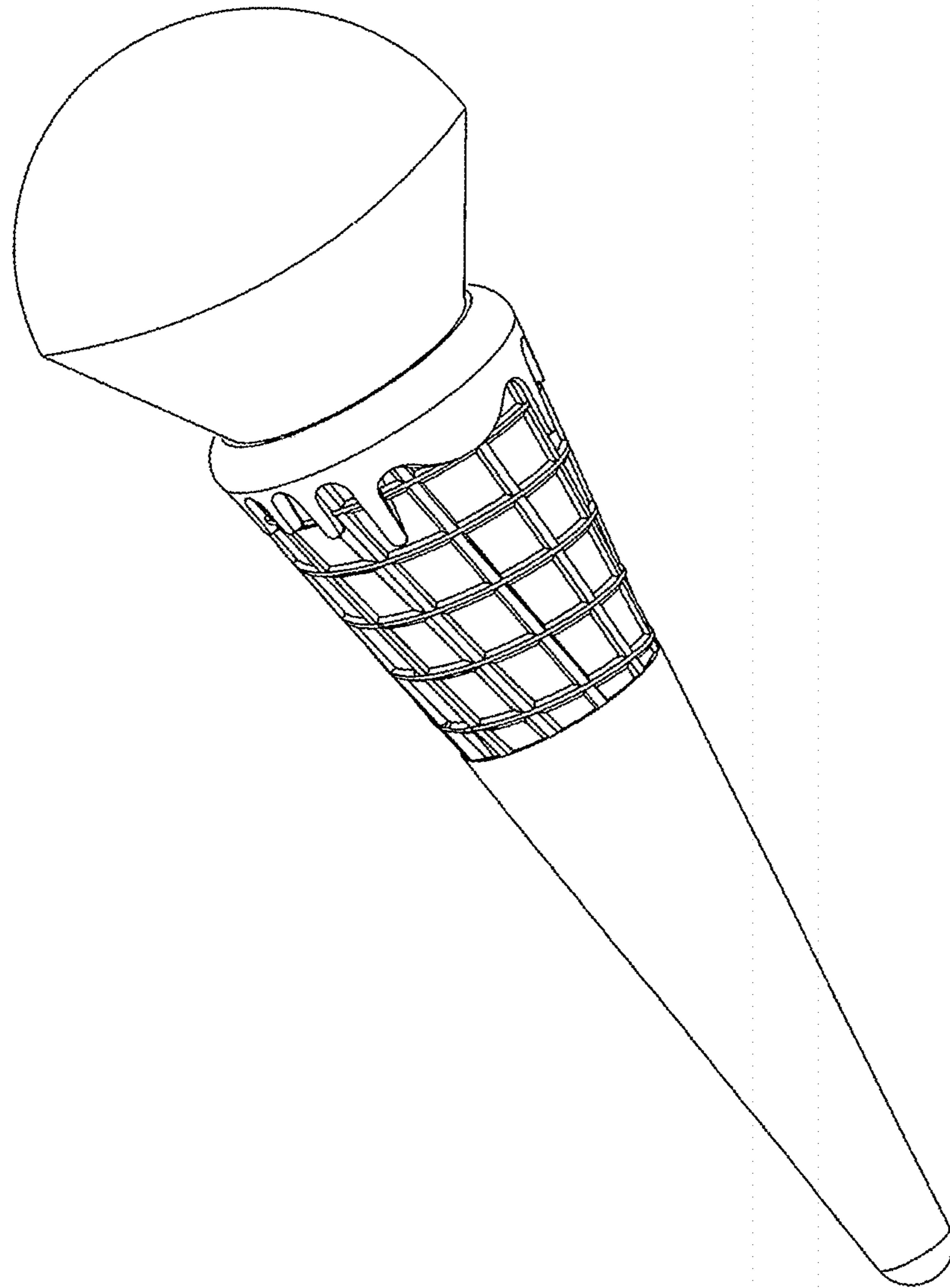


FIG. 7

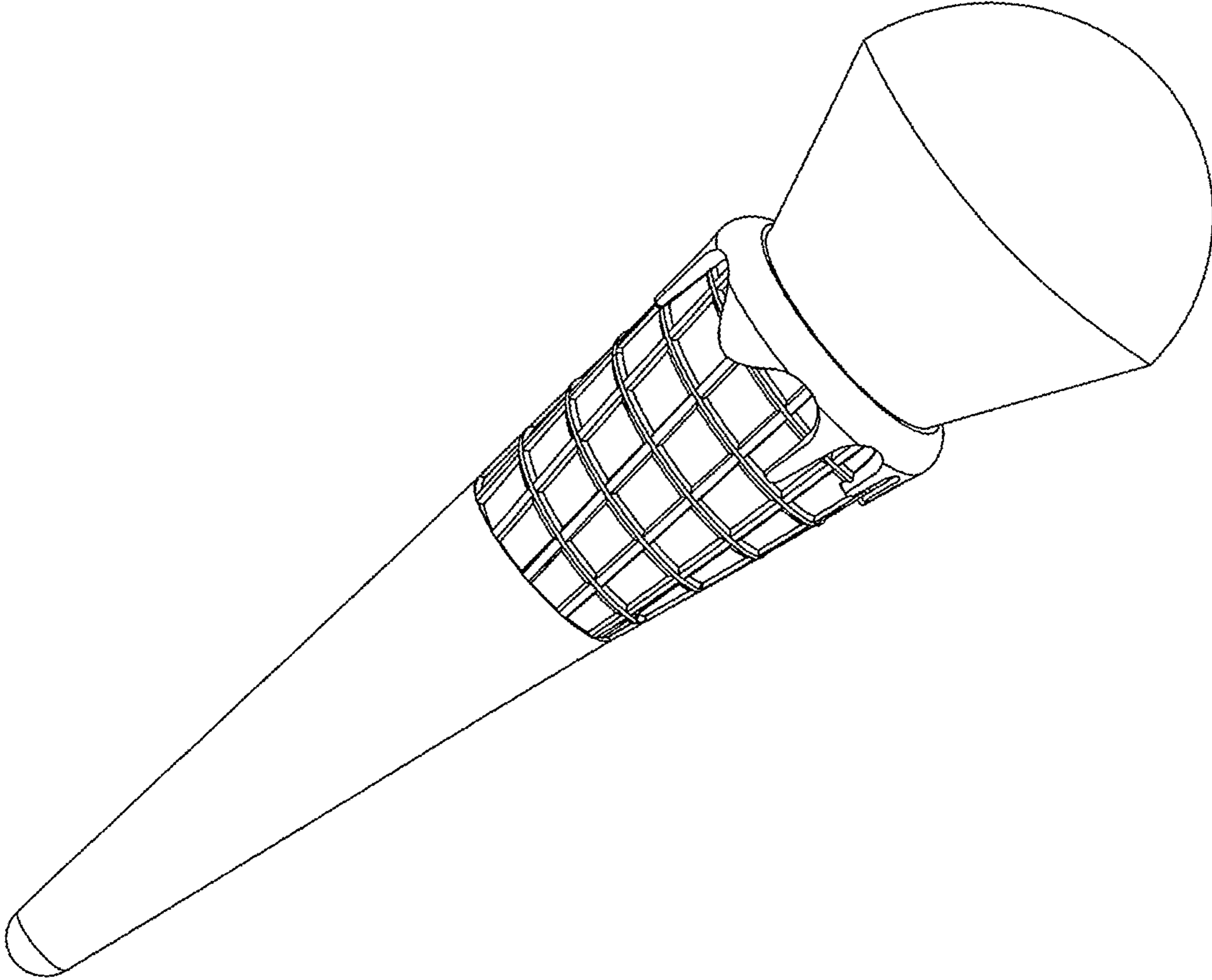


FIG. 8