



US00D934565S

(12) **United States Design Patent** (10) **Patent No.:** **US D934,565 S**
Wright et al. (45) **Date of Patent:** **** Nov. 2, 2021**

(54) **CASE FOR AN ELECTRONIC DEVICE**

FOREIGN PATENT DOCUMENTS

(71) Applicant: **Catalyst Lifestyle Limited**, North Point (HK)

CN 304239640 S 8/2017
CN 304317772 S 10/2017

(Continued)

(72) Inventors: **Joshua Wright**, Hong Kong Sar (CN);
June Lai, Hong Kong Sar (CN)

OTHER PUBLICATIONS

(73) Assignee: **CATALYST LIFESTYLE LIMITED**, Hong Kong (CN)

Notice of Allowance and Fee(s) Due dated Apr. 9, 2020 pertaining to U.S. Appl. No. 29/665,170, filed Oct. 1, 2018, 21 pgs.

(Continued)

(**) Term: **15 Years**

(21) Appl. No.: **29/725,379**

Primary Examiner — Kevin K Rudzinski

Assistant Examiner — Amber J Rabie

(22) Filed: **Feb. 25, 2020**

(74) *Attorney, Agent, or Firm* — Dinsmore & Shohl LLP

(30) **Foreign Application Priority Data**

Nov. 28, 2019 (CN) 201930661009.0

(57) **CLAIM**

(51) **LOC (13) Cl.** **03-01**

The ornamental design for a case for an electronic device, as shown and described.

(52) **U.S. Cl.**
USPC **D3/298**

(58) **Field of Classification Search**
USPC D3/201, 207, 212, 215, 218, 269, 290,
D3/294, 298, 299; D7/641; D13/108;
D14/223

DESCRIPTION

CPC H04R 1/1025; H04R 2460/17; A45C
2013/025; A45C 2011/001; H02J 7/0044;
H02J 7/025

FIG. 1 is a perspective view including the front, top, and side of a case for an electronic device;
FIG. 2 is a front elevation view of the case for an electronic device of FIG. 1;
FIG. 3 is a rear elevation view of the case for an electronic device of FIG. 1;
FIG. 4 is a side elevation of the case for an electronic device of FIG. 1;
FIG. 5 is an opposite side elevation view of the case for an electronic device of FIG. 1;
FIG. 6 is a top plan view of the case for an electronic device of FIG. 1; and,
FIG. 7 is a bottom plan view of the case for an electronic device of FIG. 1.

See application file for complete search history.

The broken lines in the drawings represent portions of the article that form no part of the claimed design.

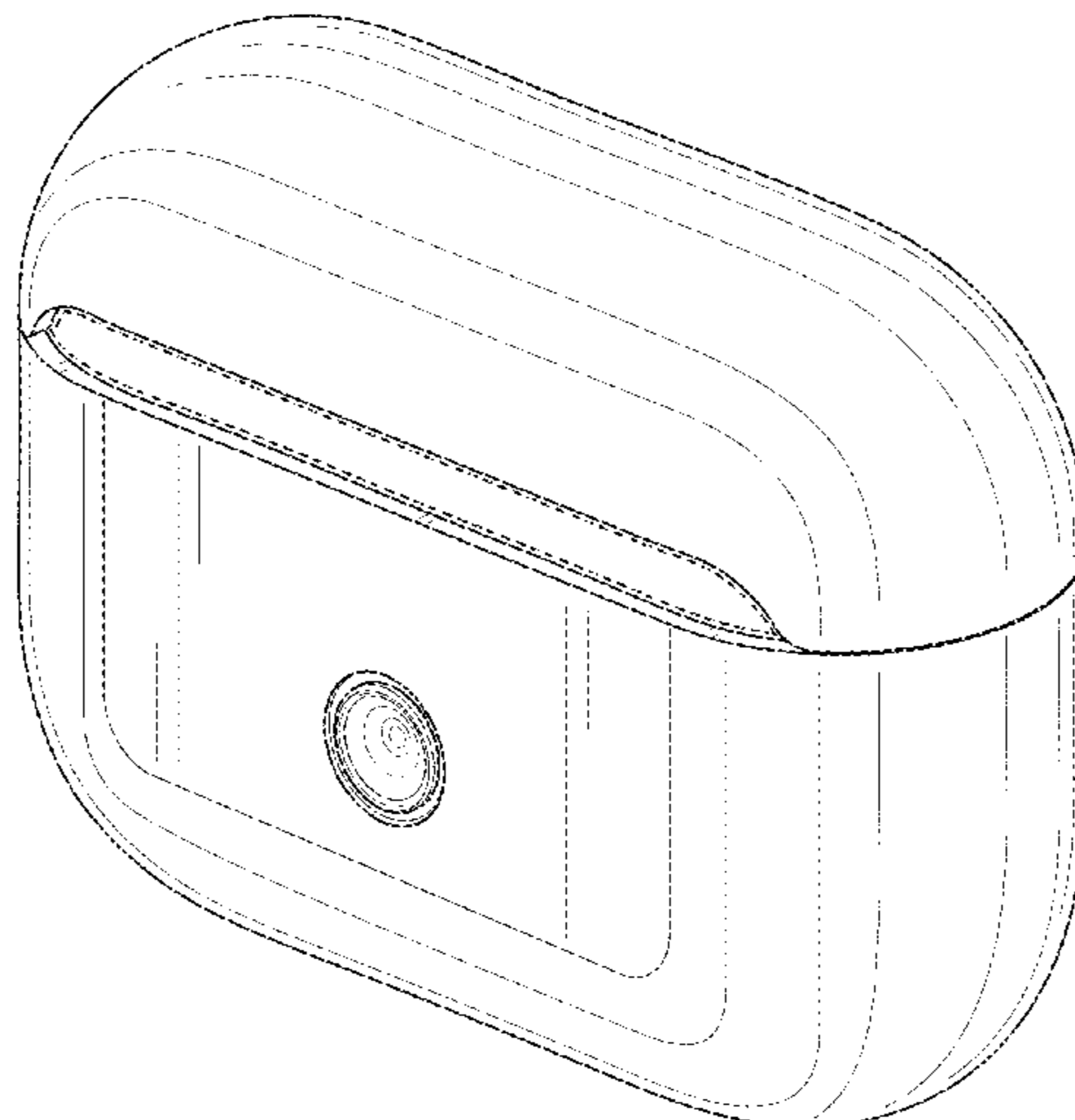
(56) **References Cited**

U.S. PATENT DOCUMENTS

228,598 A 6/1880 Buckley
D239,160 S 3/1976 Giberstein
D310,480 S 9/1990 Reinold
D317,407 S 6/1991 Gray et al.
D322,752 S 12/1991 Zintzmeyer
D323,292 S 1/1992 Jones
D362,542 S 9/1995 Richards et al.
D375,197 S 11/1996 Laherty
5,740,624 A 4/1998 Baseley

(Continued)

1 Claim, 7 Drawing Sheets



(56)

References Cited

U.S. PATENT DOCUMENTS

D399,604 S 10/1998 Wolff
 D405,256 S 2/1999 Chacon et al.
 D426,950 S 6/2000 Conway
 D427,424 S 7/2000 Conway
 6,305,538 B1 10/2001 Jackson
 D467,799 S 12/2002 Persson
 D475,282 S 6/2003 Snaith et al.
 D475,696 S 6/2003 Hussaini et al.
 D493,257 S 7/2004 McCorkindale
 D493,576 S 7/2004 Ward
 6,817,470 B1 11/2004 Goldberg
 D528,012 S 9/2006 Snyder
 D531,618 S 11/2006 Kennemer et al.
 D542,664 S 5/2007 Mayers
 D548,970 S 8/2007 Huang
 D553,077 S 10/2007 Kim et al.
 D556,571 S 12/2007 Jalet
 7,347,325 B2 3/2008 O'Neill et al.
 D566,484 S 4/2008 George
 D586,557 S 2/2009 Jalet
 D592,400 S 5/2009 Nelson
 D594,659 S 6/2009 Lown et al.
 D595,952 S 7/2009 Nussberger
 D596,393 S 7/2009 Leung et al.
 D599,546 S 9/2009 Lown et al.
 D600,913 S 9/2009 Kalbach
 7,584,841 B2 9/2009 Chan et al.
 D601,366 S 10/2009 Barabas et al.
 D604,501 S 11/2009 Lee
 D606,307 S 12/2009 Gauss
 7,855,529 B2 12/2010 Liu
 D637,647 S 5/2011 Allison et al.
 D666,821 S 9/2012 Phillips et al.
 D666,824 S 9/2012 Phillips et al.
 D666,826 S 9/2012 Phillips et al.
 D670,497 S 11/2012 Phillips et al.
 D672,642 S 12/2012 Supranowicz
 D674,688 S 1/2013 Loftin et al.
 8,399,764 B2 3/2013 Klosky
 D681,613 S 5/2013 Magness et al.
 D692,664 S 11/2013 Rashid
 D708,784 S 7/2014 Kim
 D718,750 S 12/2014 Young et al.
 D720,096 S 12/2014 McDougall
 8,961,015 B1 2/2015 Bihn
 D766,905 S 9/2016 Lee
 D769,879 S 10/2016 Kim
 D775,818 S 1/2017 Ingraham
 D780,740 S 3/2017 Kim
 D794,617 S 8/2017 Wright et al.
 D794,618 S 8/2017 Wright et al.
 D806,388 S 1/2018 Akana et al.
 D808,791 S 1/2018 Johnston et al.
 D818,268 S 5/2018 Akana et al.
 D826,152 S 8/2018 Christiansen
 D841,580 S 2/2019 Bao

D841,581 S 2/2019 Bonahoom et al.
 D846,264 S 4/2019 Wu
 D849,401 S 5/2019 Akana et al.
 D850,365 S 6/2019 Loermann et al.
 D853,116 S 7/2019 Bergman et al.
 D853,357 S 7/2019 Li
 D864,971 S 10/2019 Lee et al.
 D868,453 S 12/2019 Lee et al.
 D869,161 S 12/2019 Zhong
 D870,451 S 12/2019 Birger
 D872,094 S 1/2020 Wright et al.
 D872,723 S 1/2020 Lee et al.
 D872,724 S 1/2020 Lee et al.
 D874,826 S 2/2020 Zhang
 D878,045 S 3/2020 Akana et al.
 D878,754 S 3/2020 Lee et al.
 D881,179 S 4/2020 Wright et al.
 D881,180 S 4/2020 Wright et al.
 D881,181 S 4/2020 Wright et al.
 D882,259 S * 4/2020 Liu D3/269
 D888,408 S * 6/2020 Lee D3/201
 D893,184 S * 8/2020 Liu D3/294
 D897,678 S * 10/2020 Koh D3/294
 D897,997 S * 10/2020 Zhang D14/223
 D903,316 S * 12/2020 Kwak D3/201
 D907,009 S * 1/2021 Akana D3/294
 2017/0094399 A1 3/2017 Chandramohan et al.
 2018/0064224 A1 3/2018 Brzezinski et al.

FOREIGN PATENT DOCUMENTS

CN 304335071 S 10/2017
 CN 304342633 S 11/2017
 CN 304344793 S 11/2017
 CN 304362692 S 11/2017
 CN 304382968 S 12/2017
 CN 304493923 S 2/2018
 CN 304504641 S 2/2018

OTHER PUBLICATIONS

This AirPods Accessory is strangely awesome—Catalyst AirPods Case, publication date Apr. 7, 2017, [online][site visited Sep. 9, 2019] URL: <https://www.cnet.com/news/coming-soon-a-waterproof-case-for-your-airpods-case/> (Year: 2017).
 This glow-in-the-dark,waterproof AirPods case—Catalist AirPods Case, publication date Apr. 14, 2017, [online][site visited Sep. 9, 2019] URL:<https://www.theverge.com/circuitbreaker/2017/4/14/15306100/catalyst-case-airpods-sale-glow-in-the-dark> (Year: 2017).
 Kim1991tae. “AirPod Case Catalyst.” Naver, Aug. 9, 2017. Web. <http://blog.naver.com/kim1991tae/221070237784>.
 Notice of Allowance and Fee(s) Due dated Apr. 23, 2020 pertaining to U.S. Appl. No. 29/665,166, filed Oct. 1, 2018, 20 pgs.
 Notice of Allowance and Fee(s) Due dated Apr. 27, 2020 pertaining to U.S. Appl. No. 29/665,168, filed October 1, 2018, 20 pgs.

* cited by examiner



FIG. 1

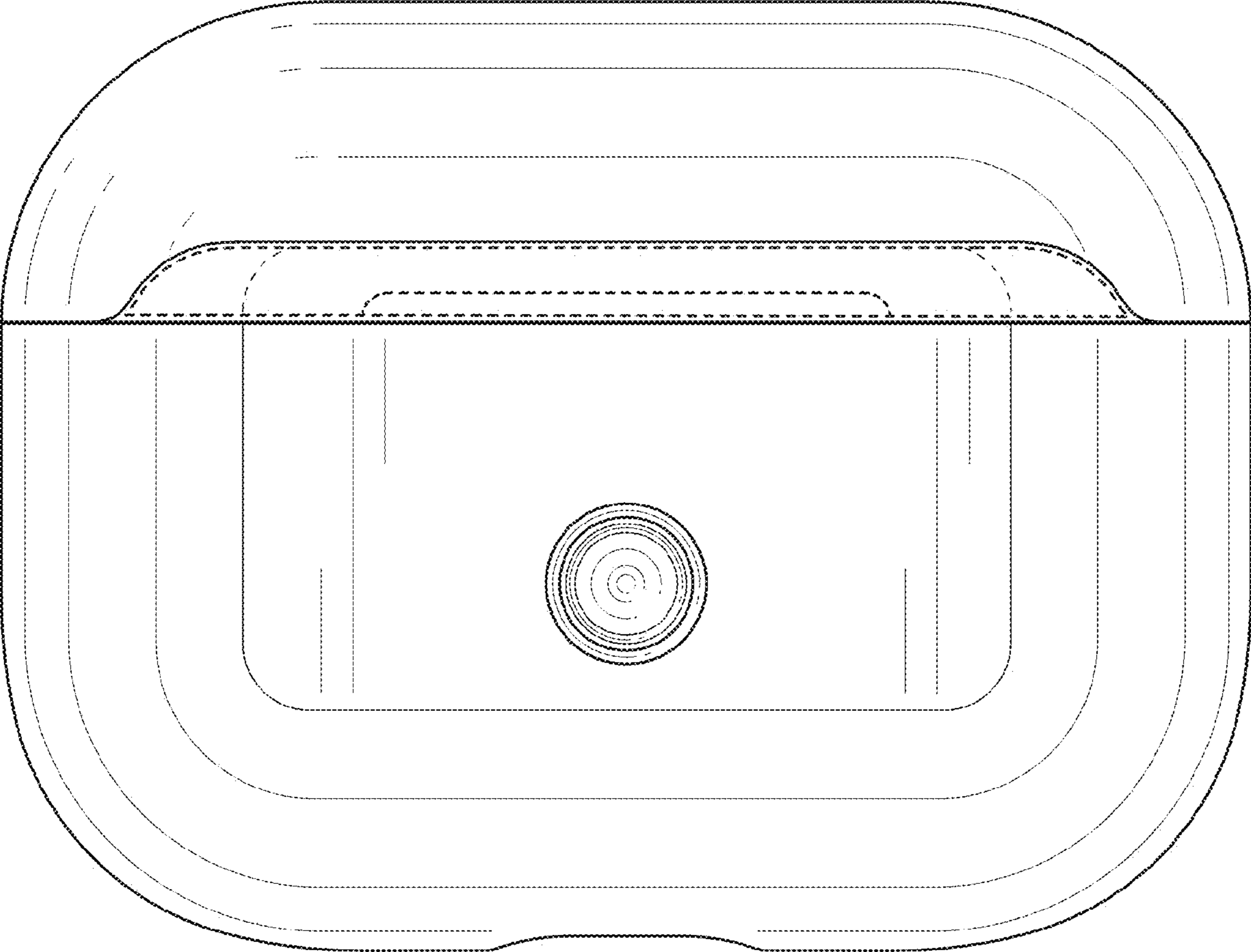


FIG. 2

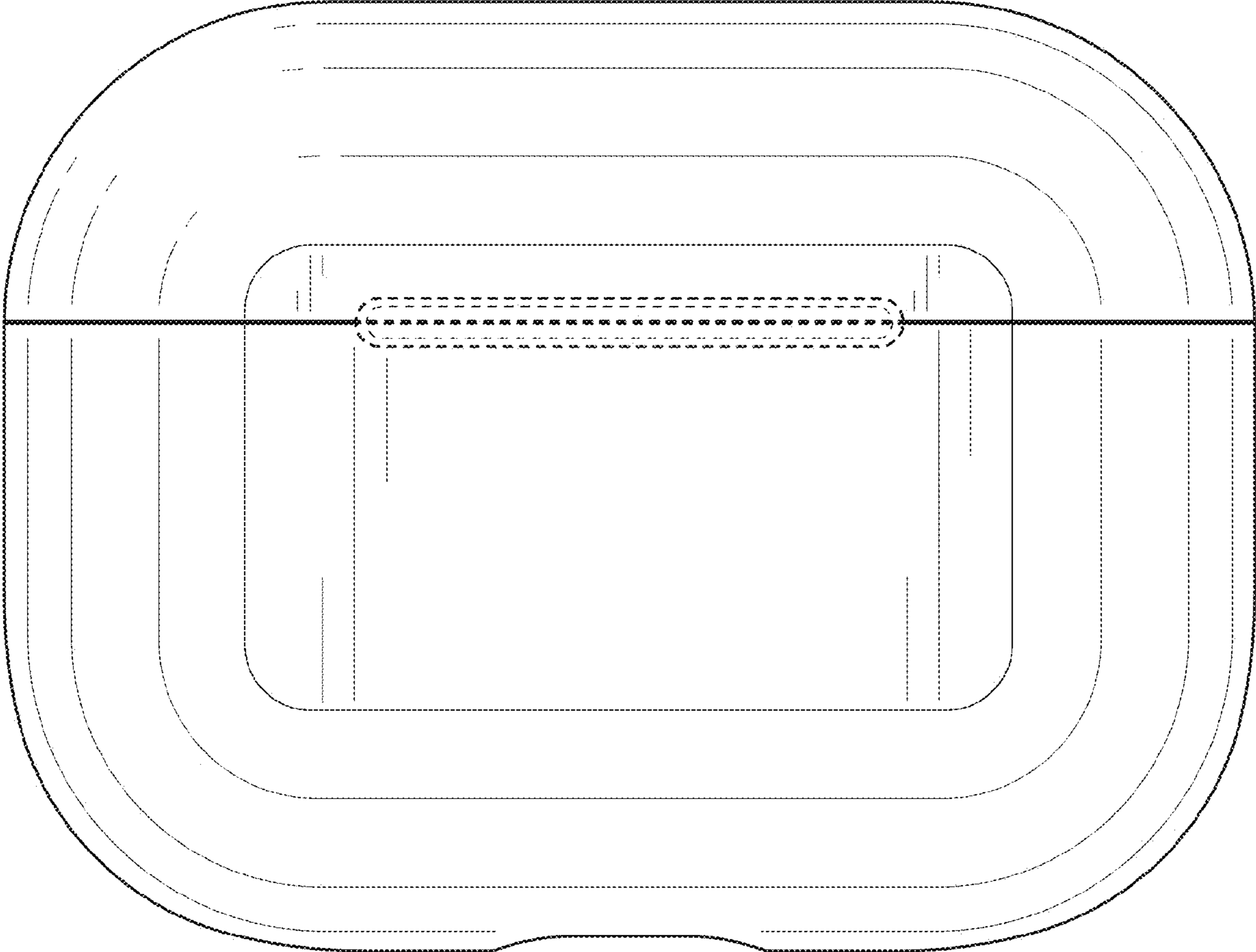


FIG. 3

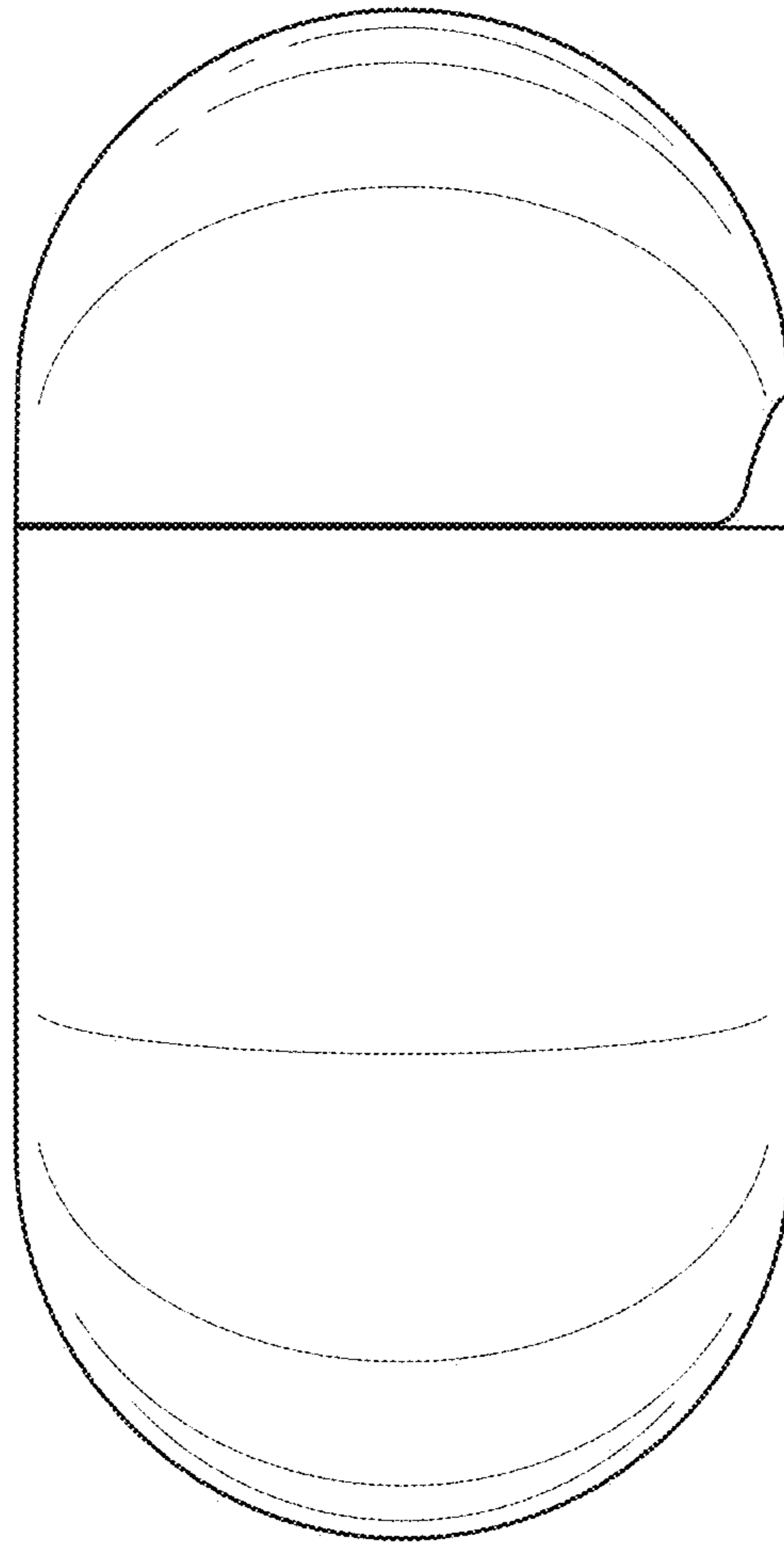


FIG. 4

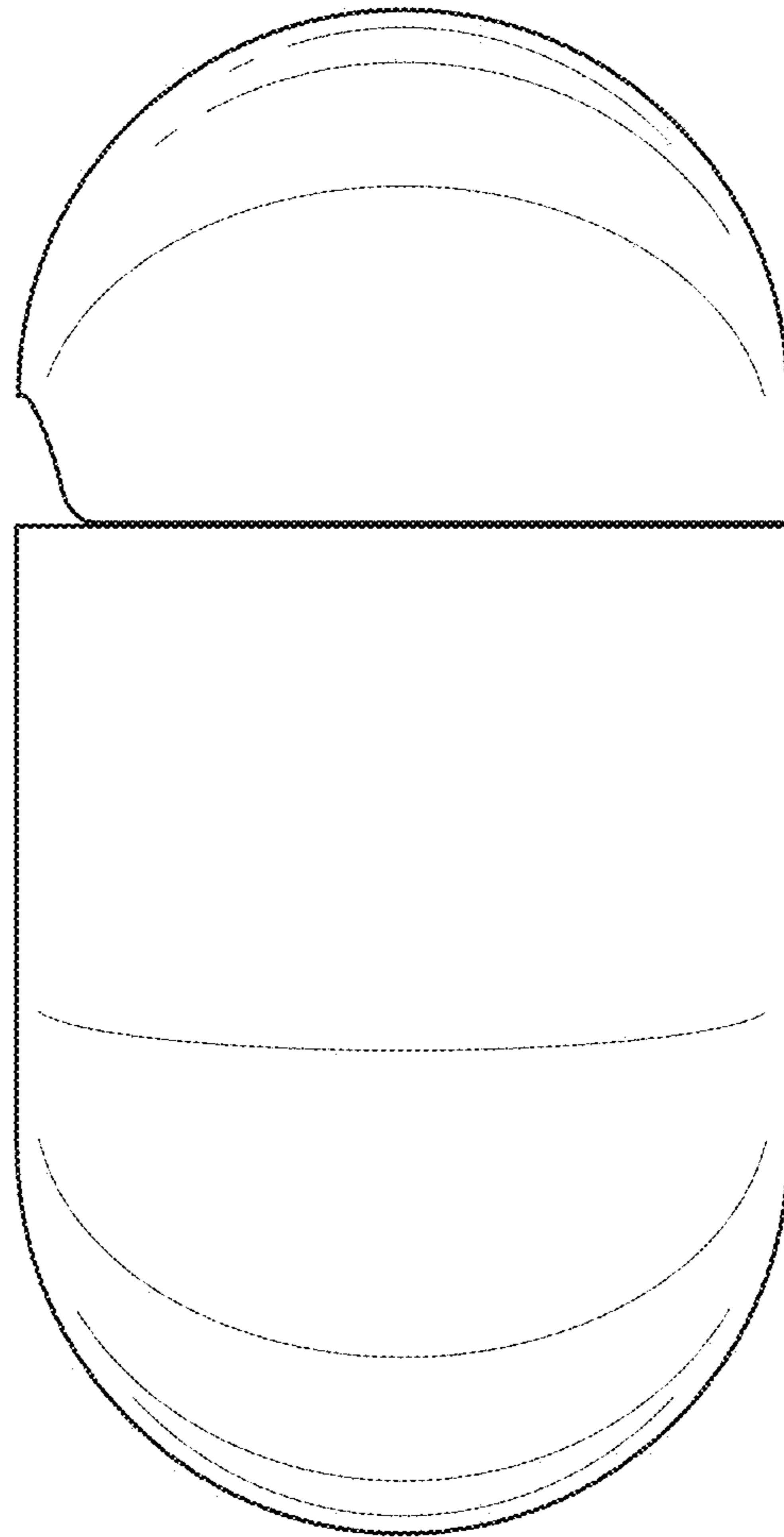


FIG. 5

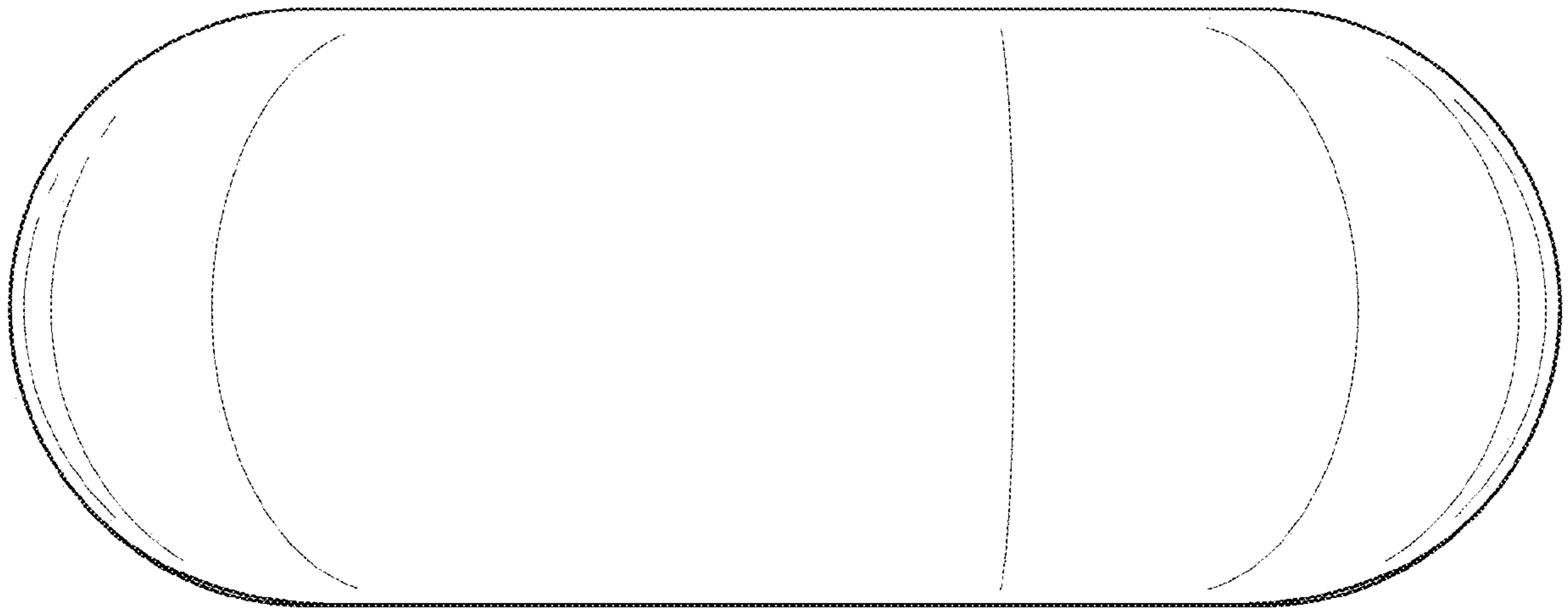


FIG. 6

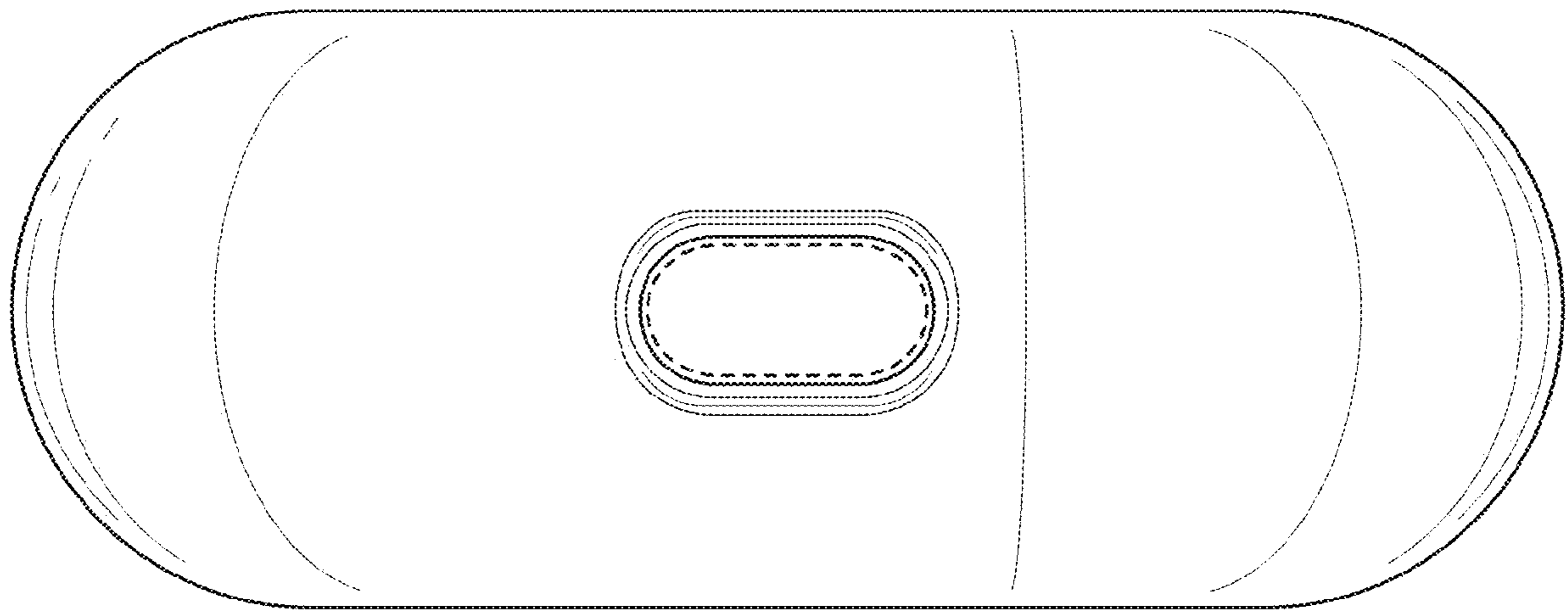


FIG. 7