



US00D934562S

(12) **United States Design Patent**  
**De Souza**

(10) **Patent No.:** **US D934,562 S**

(45) **Date of Patent:** **\*\* Nov. 2, 2021**

(54) **BOARD GAME BAG**

(71) Applicant: **Roberto De Souza**, Bassano del Grappa (IT)

(72) Inventor: **Roberto De Souza**, Bassano del Grappa (IT)

(\*\*) Term: **15 Years**

(21) Appl. No.: **29/719,487**

(22) Filed: **Jan. 5, 2020**

(30) **Foreign Application Priority Data**

Jul. 4, 2019 (EM) ..... 006612438

(51) **LOC (13) Cl.** ..... **03-01**

(52) **U.S. Cl.**  
USPC ..... **D3/288; D3/289; D3/290**

(58) **Field of Classification Search**  
USPC ..... D3/203.1, 203.6, 202, 205, 215, 217,  
D3/226, 229, 230, 232, 233, 242–246,  
(Continued)

(56) **References Cited**

**U.S. PATENT DOCUMENTS**

D417,076 S \* 11/1999 Buban, Jr. .... D3/276  
D466,297 S \* 12/2002 Raisner ..... D3/290  
(Continued)

**FOREIGN PATENT DOCUMENTS**

EM 006612438-0001 \* 7/2019  
EM 006612438-0002 \* 7/2019  
(Continued)

**OTHER PUBLICATIONS**

Top Shelf Fun Game Night . . . , available from Sep. 13, 2017 (customer photo review), amazon.com [online], [site visited Dec. 31, 2020], Internet URL exceeds character limit of PTO-892; see written Office Action (Year: 2017).\*

(Continued)

*Primary Examiner* — Jeffrey D Asch  
*Assistant Examiner* — Caitlin A Lavery

(57) **CLAIM**

The ornamental design for a board game bag, as shown and described.

**DESCRIPTION**

FIG. 1 is a perspective view of a board game bag showing my new design wherein the board game bag is closed;  
FIG. 2 is a bottom perspective view thereof wherein the board game bag is fully opened and lying flat showing the outside surface;

FIG. 3 is a perspective view thereof wherein the board game bag is erected and partially opened;

FIG. 4 is a top perspective view thereof wherein the board game bag is partially folded and lying flat;

FIG. 5 is a bottom perspective view thereof wherein the board game bag is partially folded and lying flat;

FIG. 6 is a back and side perspective view thereof wherein the board game bag is closed and supported on a carrier.

FIG. 7 is a bottom perspective view thereof wherein the board game bag is fully folded and lying flat;

FIG. 8 is a perspective view of an alternative embodiment of a board game bag showing my new design wherein the board game bag is erected and closed;

FIG. 9 is a front perspective view thereof wherein the board game bag is erected and partially opened;

FIG. 10 a bottom perspective view thereof wherein the board game bag is fully opened and lying flat showing the outside surfaces;

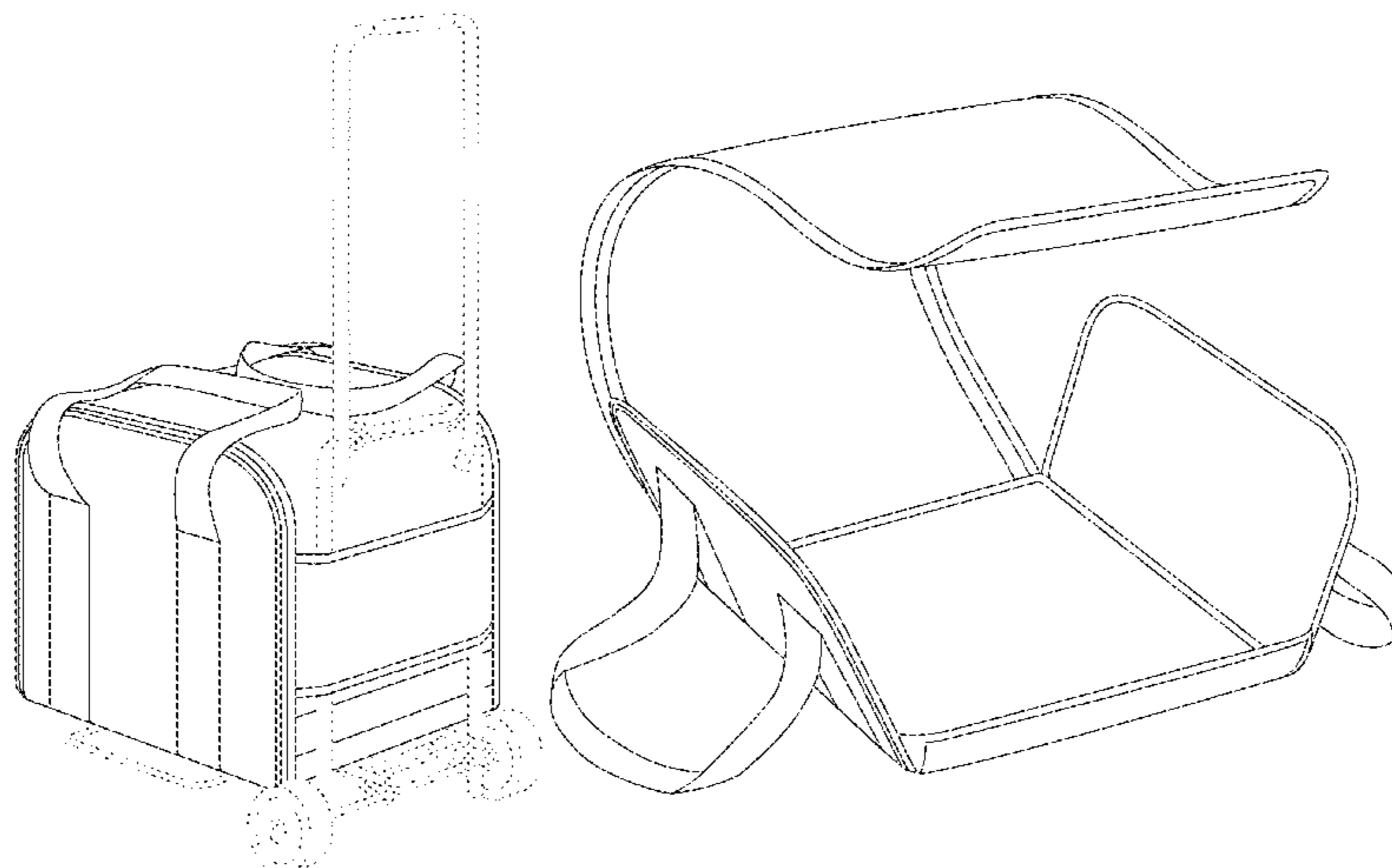
FIG. 11 is a top perspective view thereof wherein the board game bag is partially folded and lying flat;

FIG. 12 is a top perspective view thereof wherein the board game bag is fully folded and lying flat;

FIG. 13 is a top perspective view thereof wherein the board game bag is partially folded and lying flat; and,

FIG. 14 is a back and side perspective view thereof wherein the board game bag is erected and closed and supported on a carrier.

(Continued)



The broken line showing of the carrier is included for the purpose of illustrating environmental structure and forms no part of the claimed design.

**1 Claim, 14 Drawing Sheets**

**(58) Field of Classification Search**

USPC ..... D3/249, 258, 273, 274, 276, 283–290, D3/294, 295, 299, 301, 303, 900–904; D7/602, 605, 607, 619.1, 709; D28/73, D28/76  
 CPC .. A45C 1/00; A45C 1/02; A45C 1/024; A45C 1/08; A45C 3/00; A45C 3/04; A45C 3/06; A45C 3/10; A45C 3/004; A45C 5/00; A45C 5/02; A45C 5/04; A45C 5/005; A45C 7/077; A45C 7/00; A45C 9/00; A45C 11/00; A45C 11/16; A45C 11/20; A45C 11/26; A45C 11/008; A45C 13/00; A45C 13/08; A45C 13/26; A45C 2003/002; A45C 2003/007; A45C 2003/008; A45C 2007/004; A45C 2011/007; A45C 2200/20; A45D 29/20; A45D 33/008; A45D 44/18; A45D 2200/25; A45F 3/00; A45F 3/02; A45F 3/04; A45F 3/16; A45F 4/02; B65D 23/08; B56D 81/38; B56D 81/3836; B56D 81/2023

See application file for complete search history.

**(56) References Cited**

**U.S. PATENT DOCUMENTS**

D674,246 S \* 1/2013 Scott ..... B65D 5/02 D7/607  
 D816,996 S \* 5/2018 Majeau ..... A45C 7/0095 D3/301

D838,478 S \* 1/2019 Dean ..... A45C 7/0095 D3/262  
 2002/0026798 A1\* 3/2002 Zorn ..... A45C 11/20 62/3.62  
 2003/0042160 A1\* 3/2003 Godshaw ..... A45C 7/0095 206/349  
 2003/0221924 A1\* 12/2003 Tong ..... A45C 11/20 190/107  
 2006/0207697 A1\* 9/2006 Greiner ..... A45C 7/0095 150/113  
 2006/0291753 A1\* 12/2006 Godshaw ..... A45C 3/06 383/4  
 2012/0321226 A1\* 12/2012 Hansen ..... B65D 33/02 383/104  
 2014/0360831 A1\* 12/2014 Kao ..... A45C 13/03 190/108  
 2015/0335117 A1\* 11/2015 Juillet ..... B65D 5/02 206/6.1  
 2017/0112249 A1\* 4/2017 Peterson ..... A45C 11/00  
 2017/0129409 A1\* 5/2017 Arellanes ..... A45C 7/0077  
 2018/0014614 A1\* 1/2018 Marshall ..... A45C 7/0095  
 2021/0145142 A1\* 5/2021 Webb ..... A45C 3/00

**FOREIGN PATENT DOCUMENTS**

KR 300922136.0000 \* 9/2017  
 KR 300922137.0000 \* 9/2017  
 KR 300922138.0000 \* 9/2017

**OTHER PUBLICATIONS**

Board Game Bag . . . , available from Mar. 4, 2020 (customer photo review), amazon.com [online], [site visited Dec. 31, 2020], Available at internet URL: <https://www.amazon.com/Board-Game-Bag-Backpack-Heathered/dp/B07Z5FGGL9> (Year: 2020).  
 QB-Bag Shop, unknown first available date, cubibag.com [online], [site visited Dec. 31, 2020], Available at internet URL: <https://cubibag.com/en/buy-cubibag-qb-bag.html> (Year: 2020).\*

\* cited by examiner

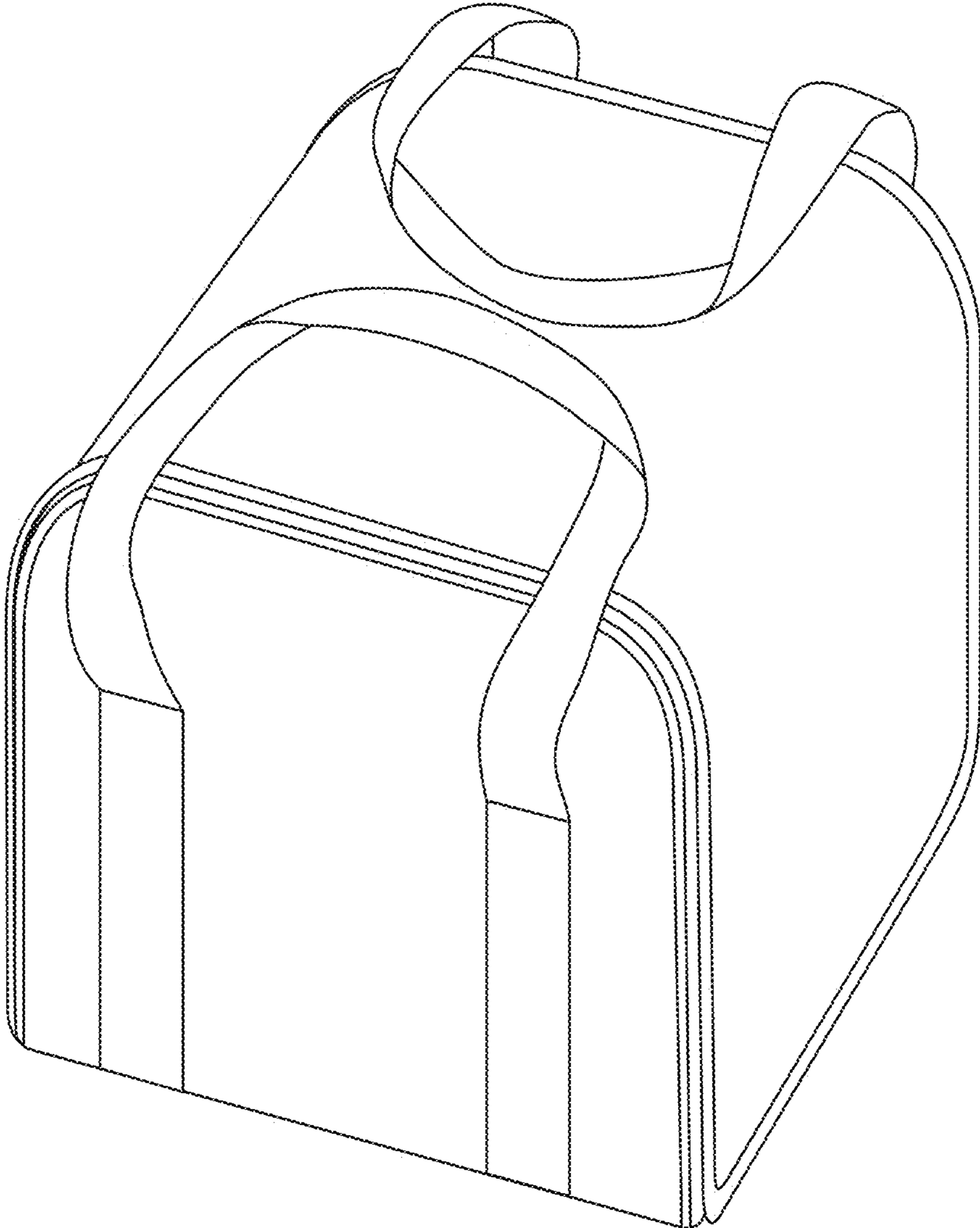


Figure 1

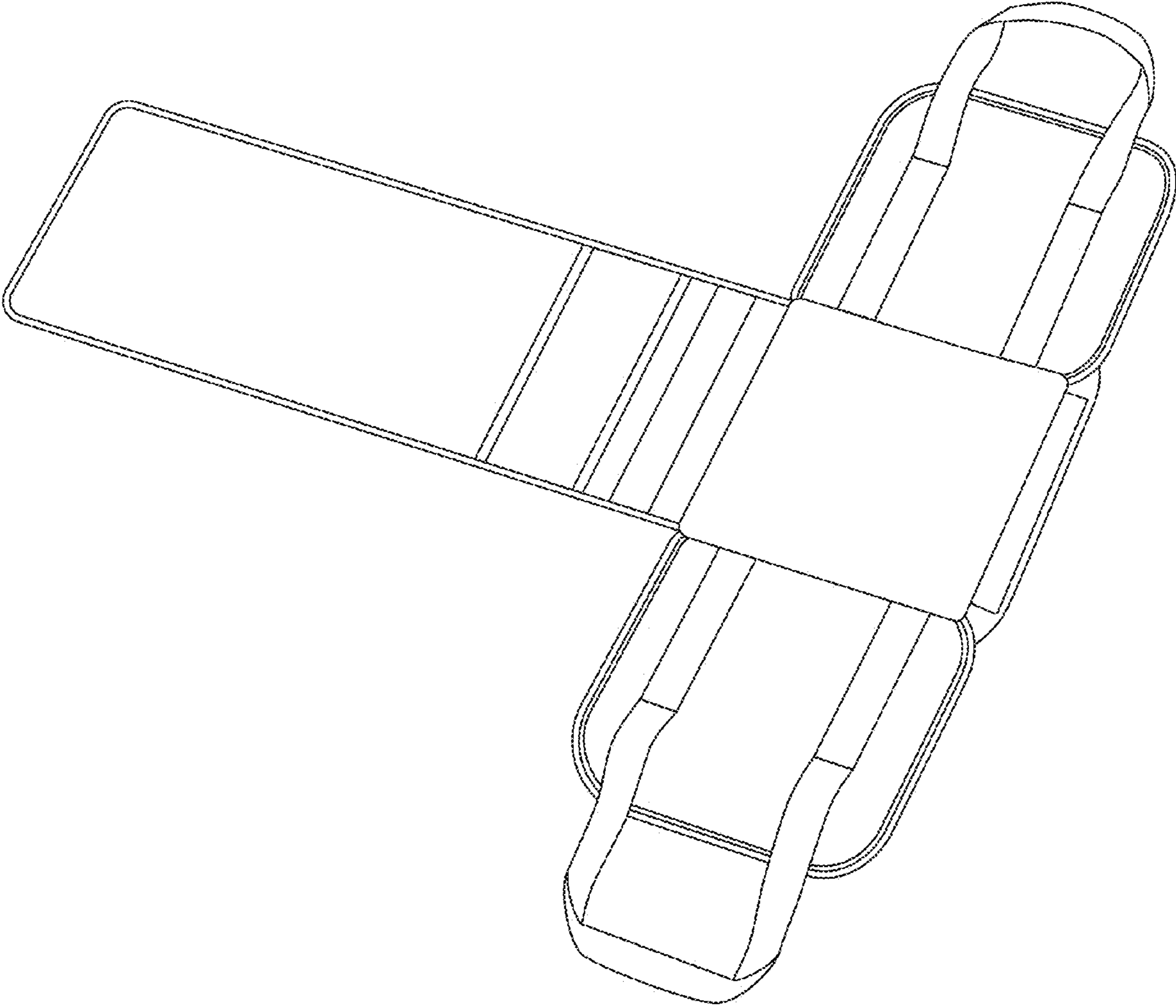


Figure 2

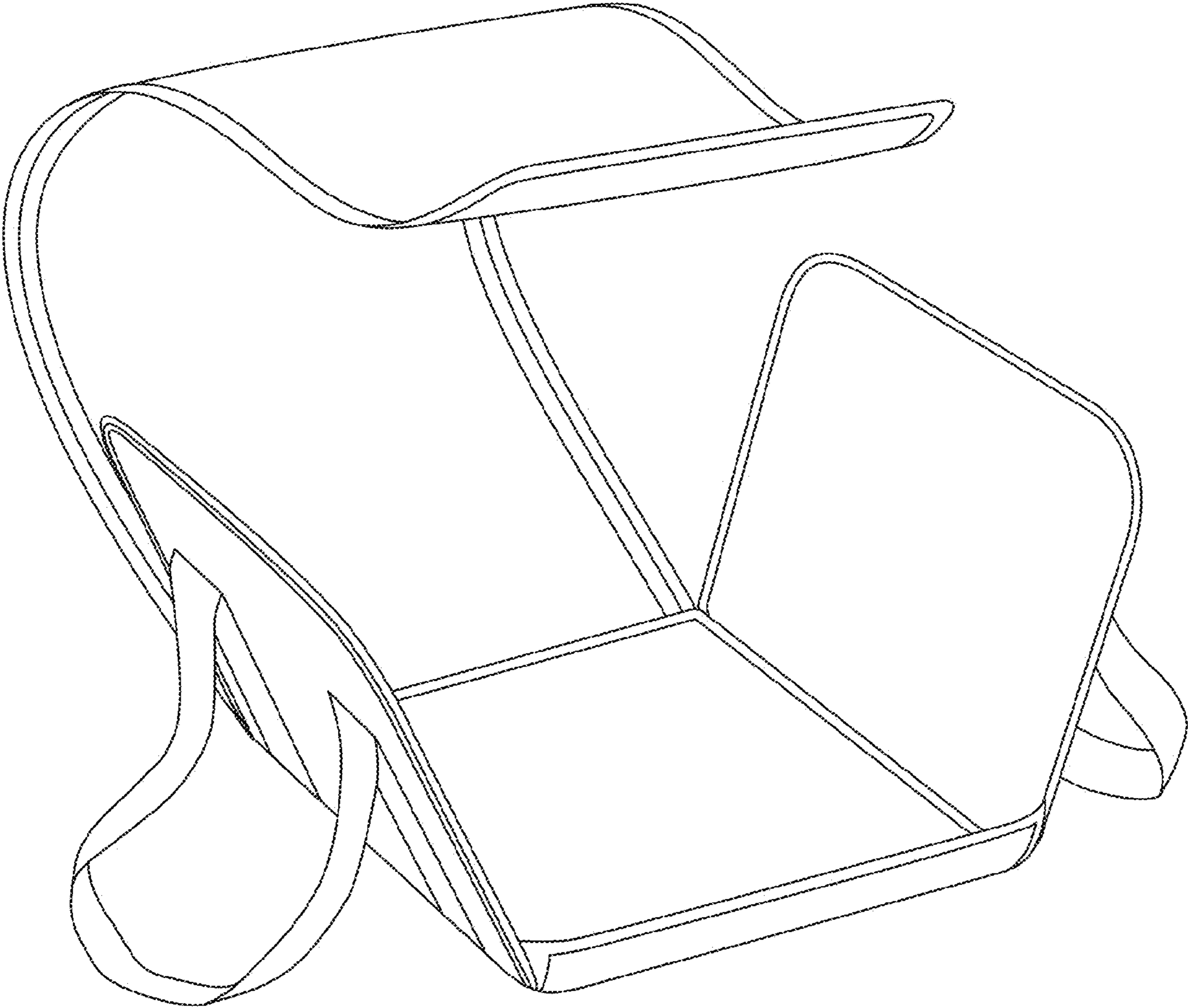


Figure 3

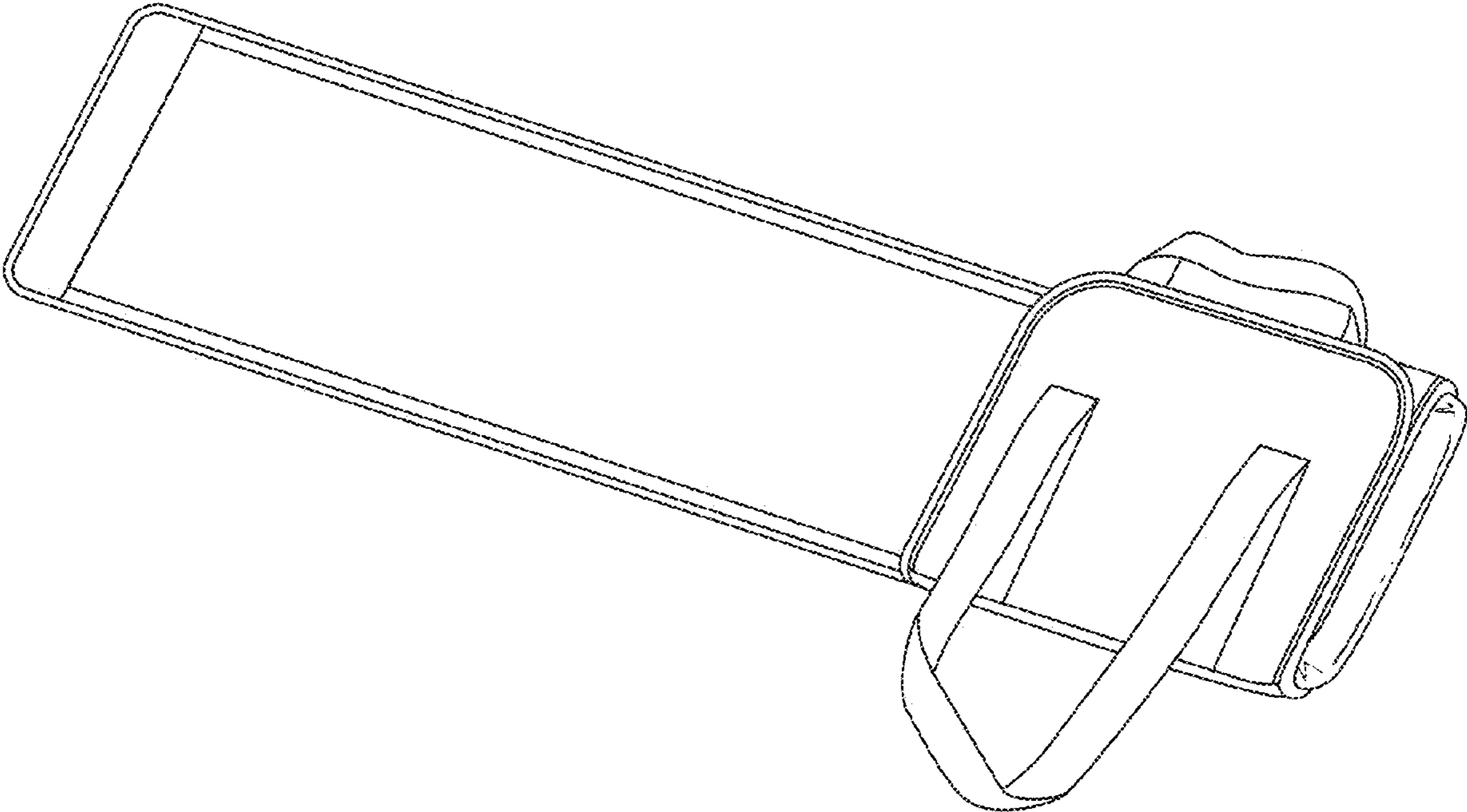


Figure 4

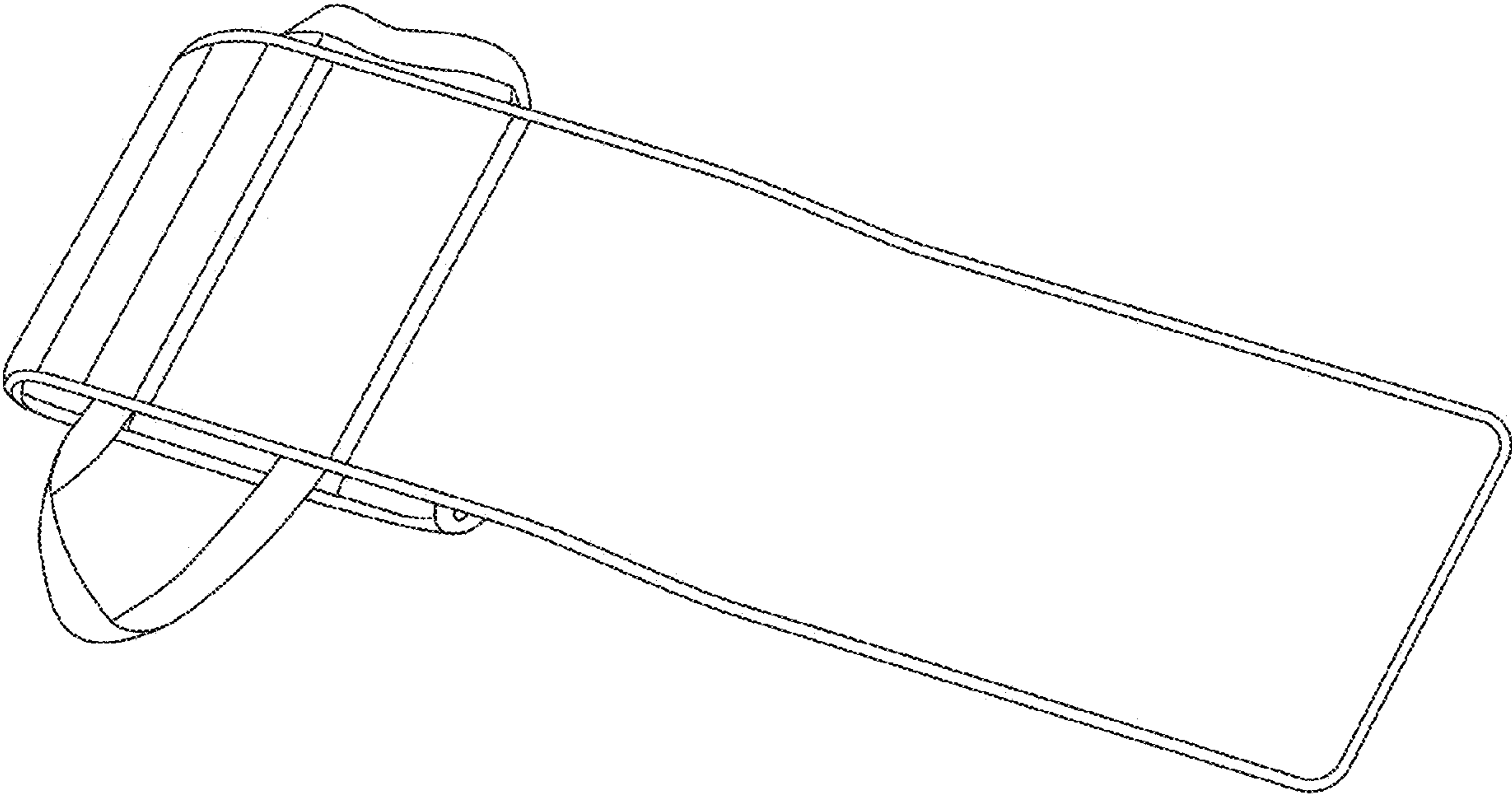


Figure 5

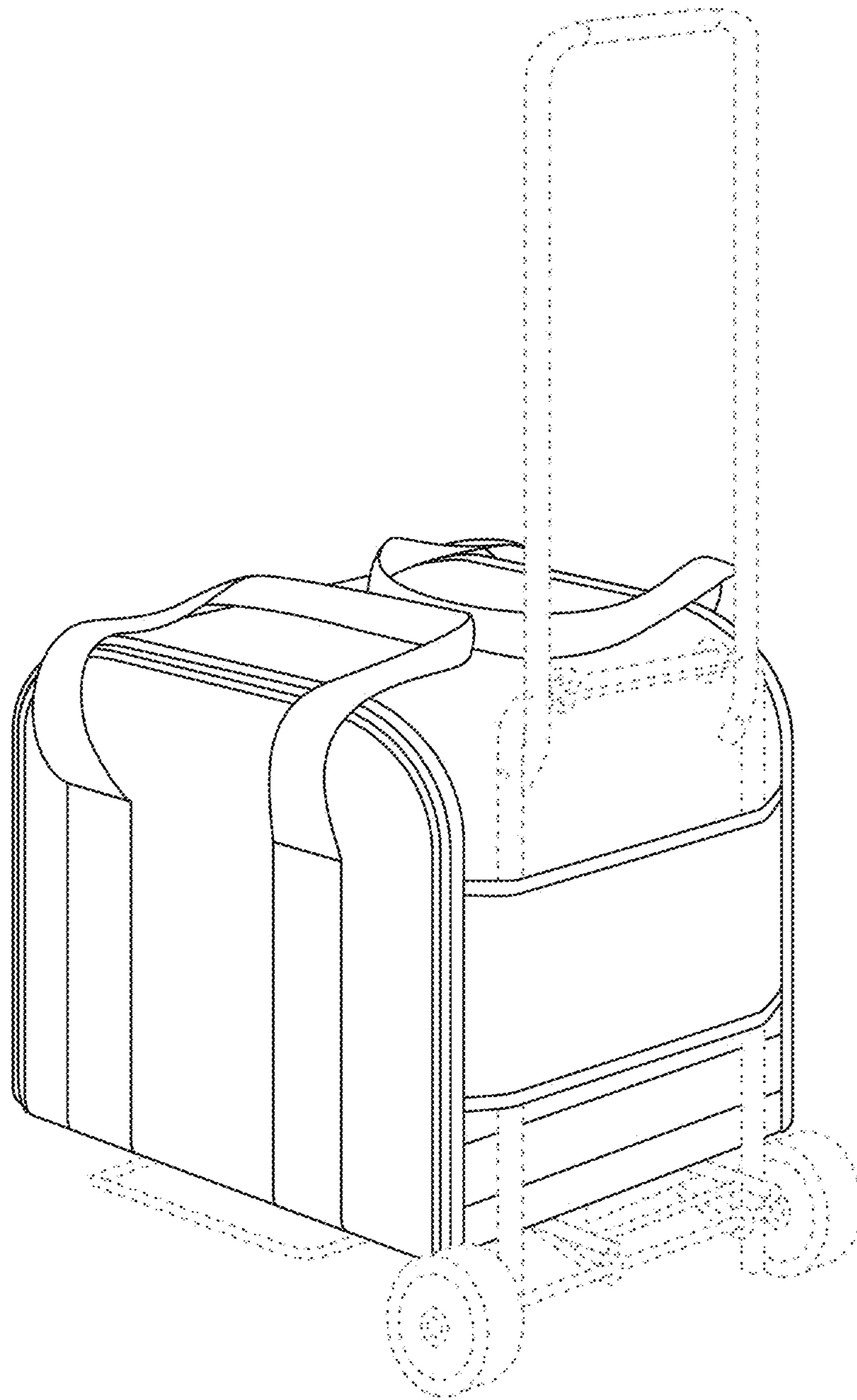


Figure 6



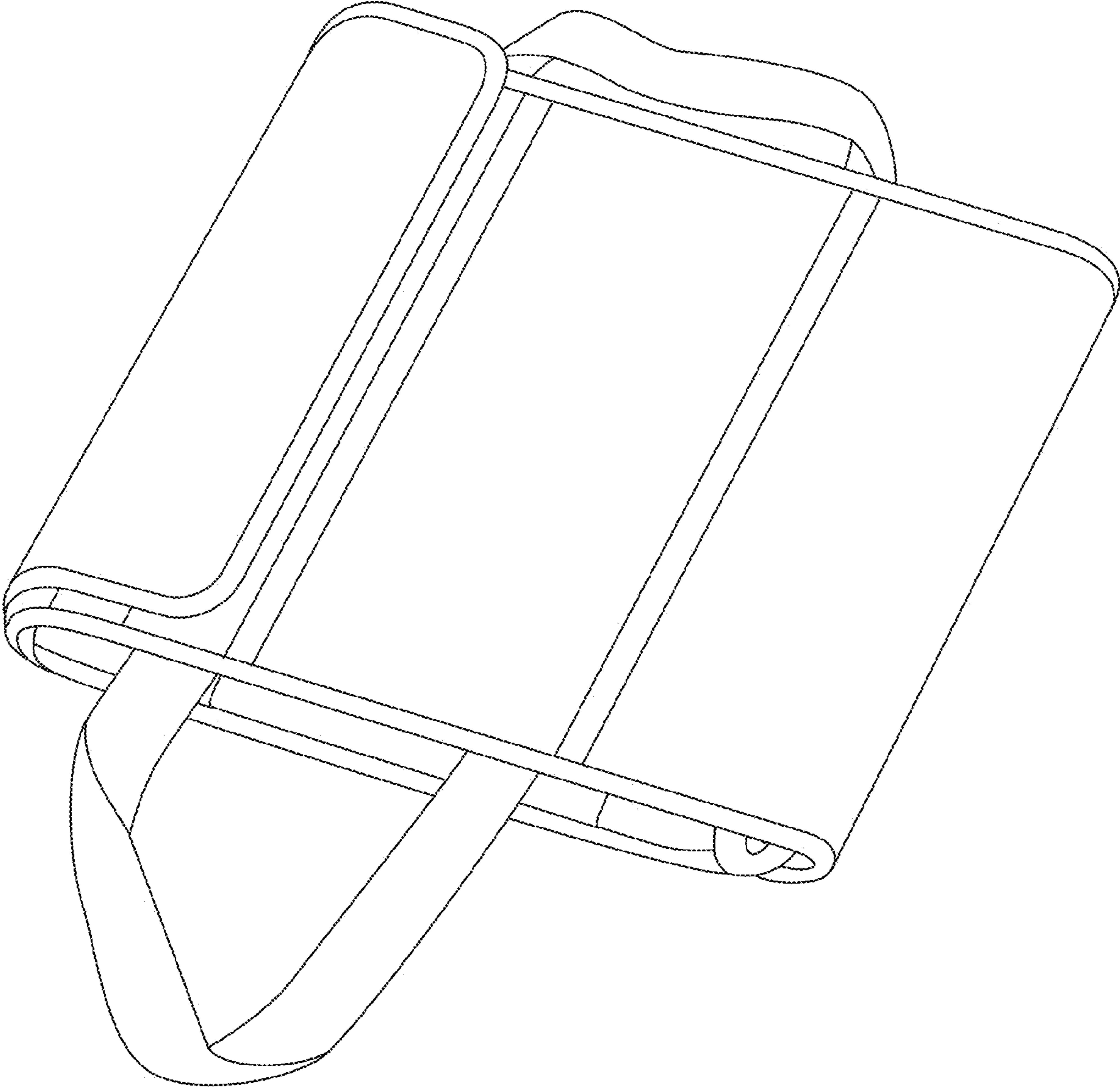


Figure 7

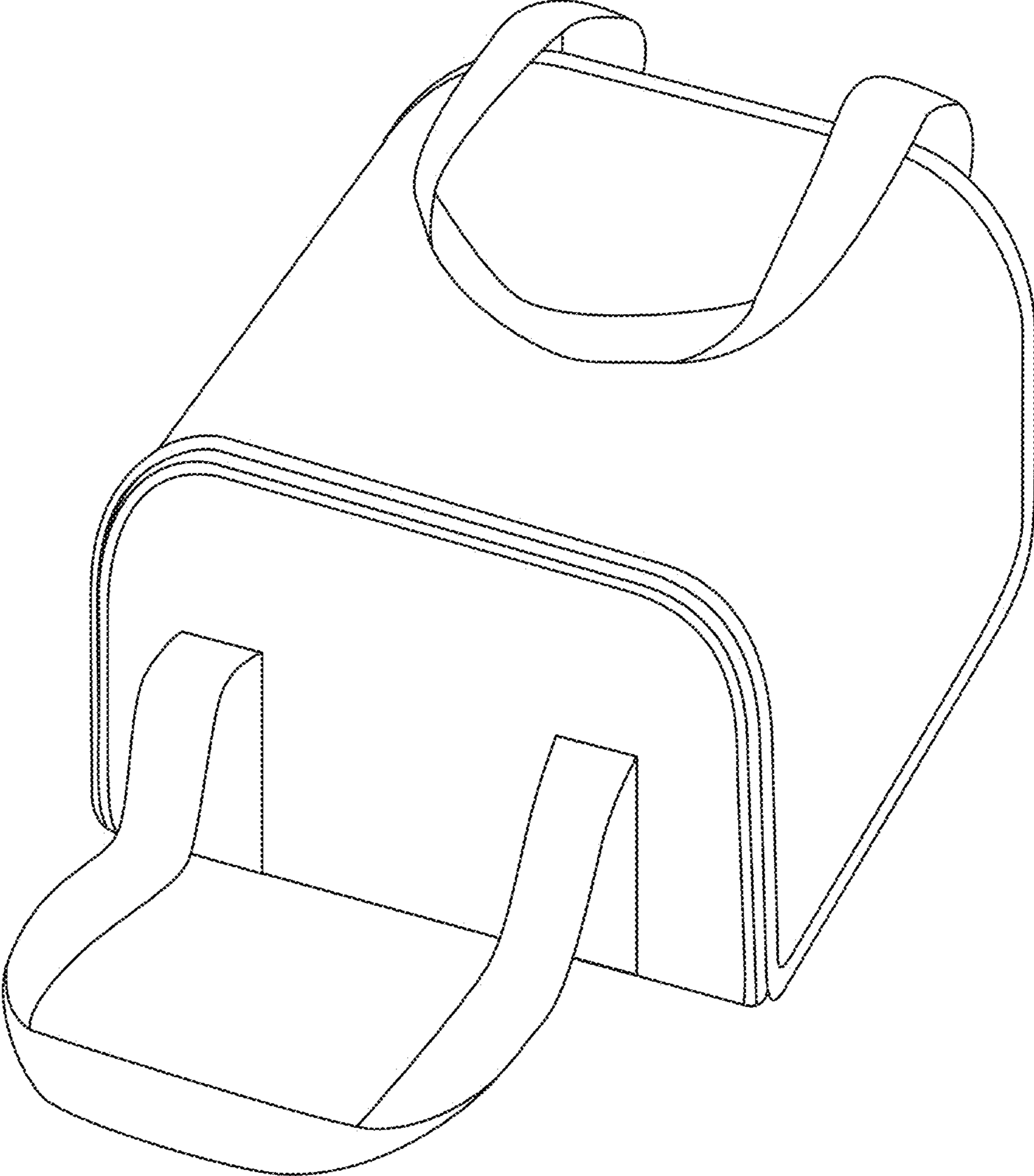


Figure 8

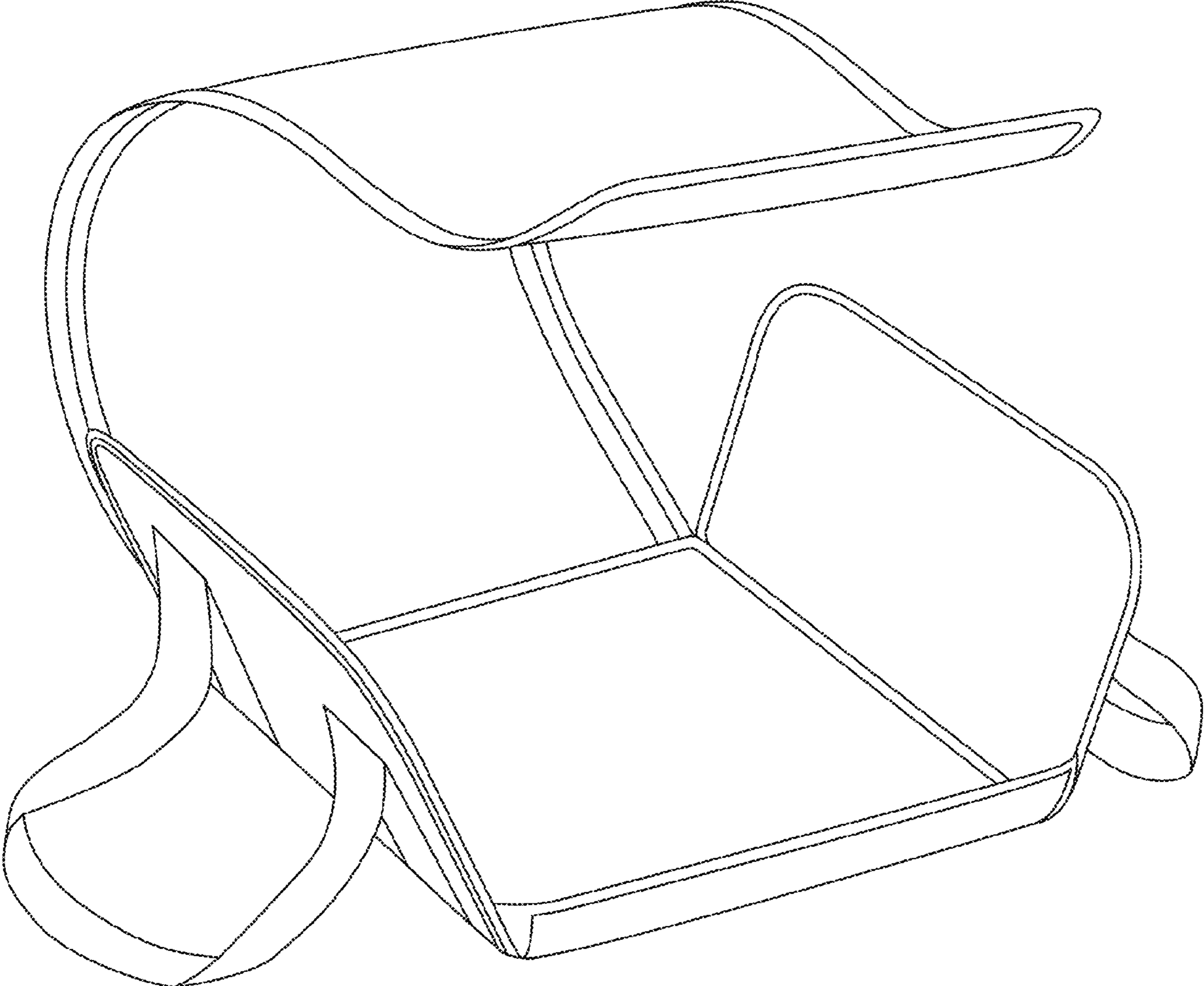


Figure 9

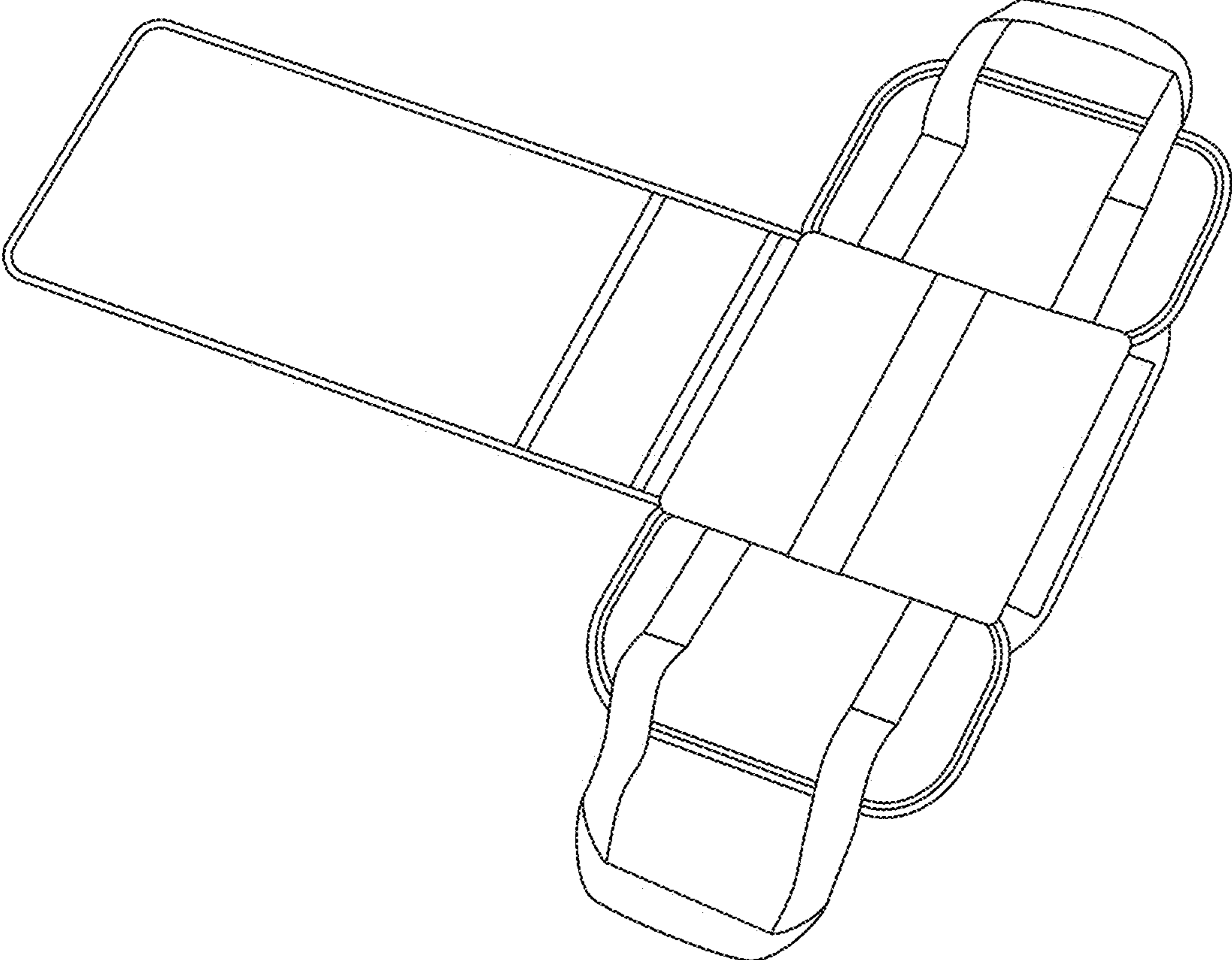


Figure 10

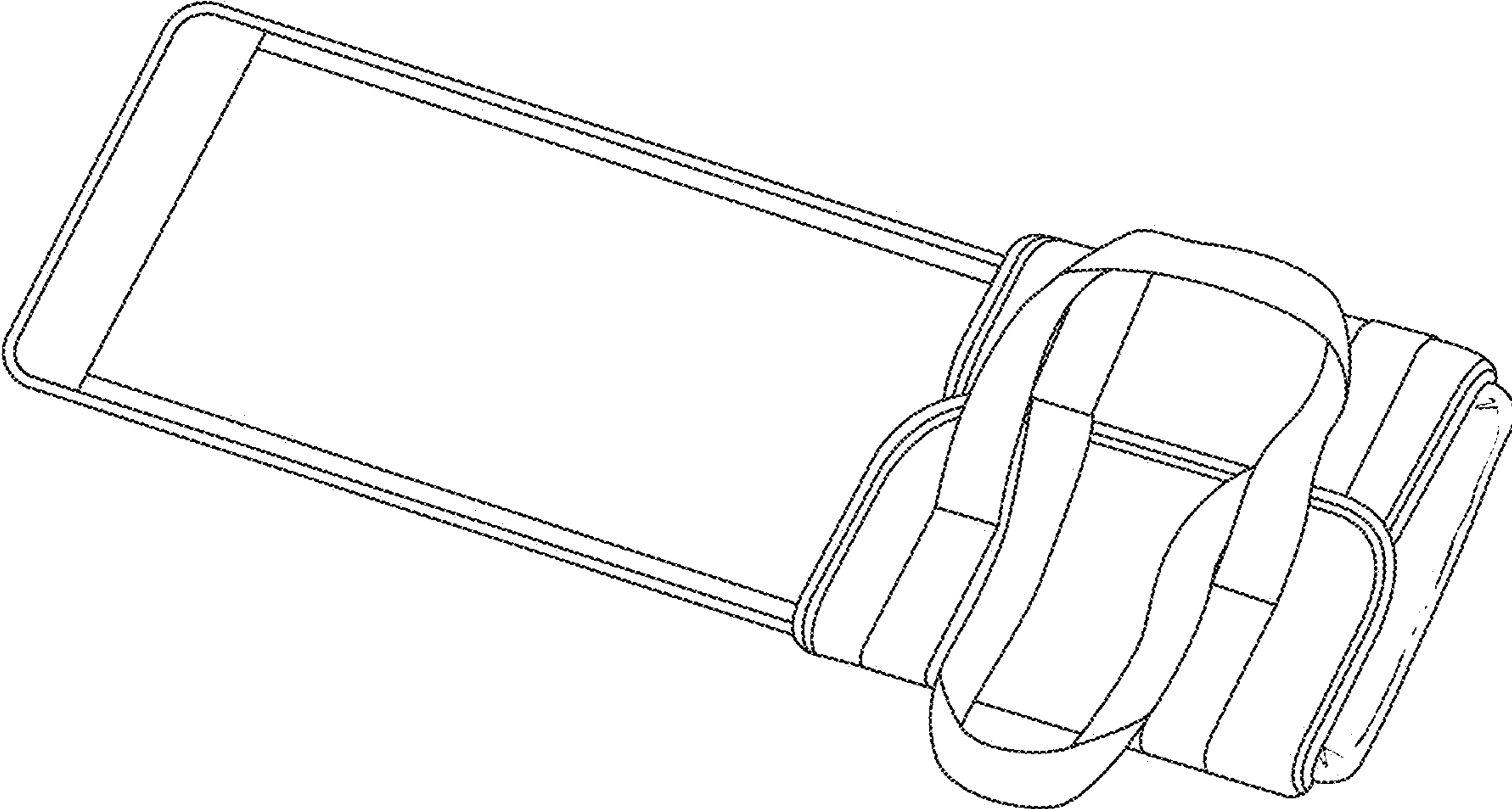


Figure 11



Figure 12

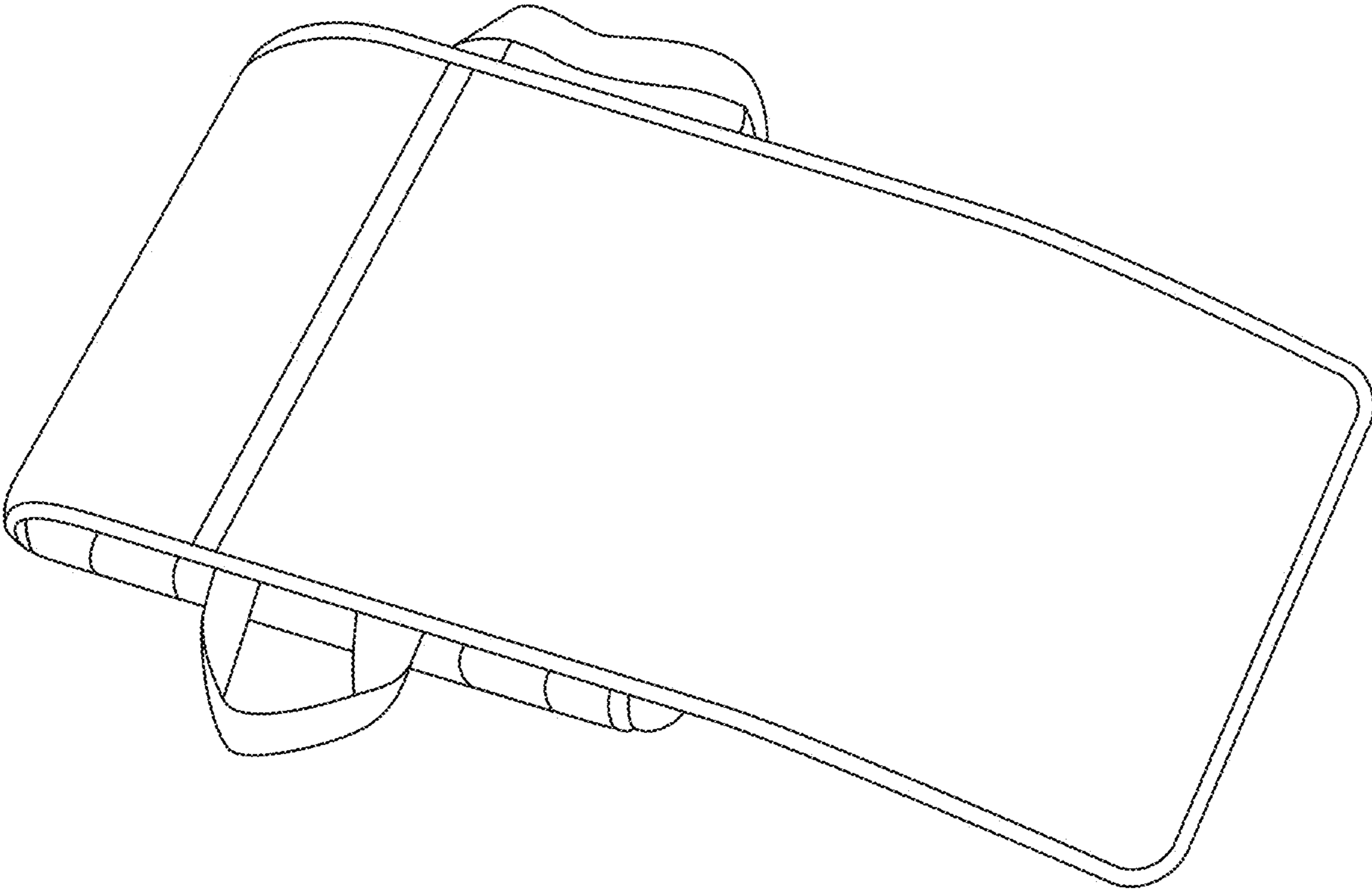


Figure 13

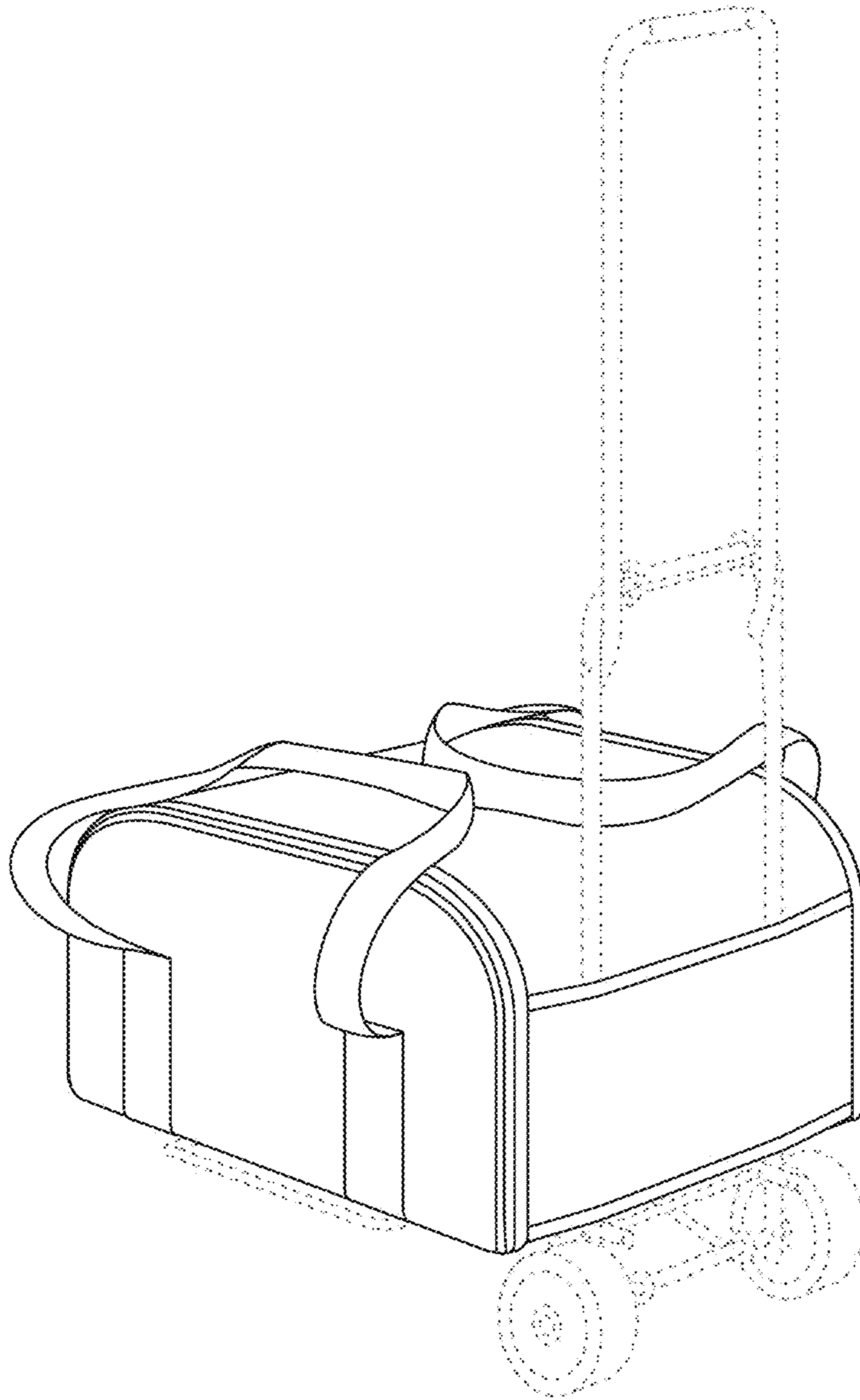


Figure 14