



US00D934559S

(12) **United States Design Patent** (10) **Patent No.:** **US D934,559 S**  
**Johnson** (45) **Date of Patent:** **\*\* Nov. 2, 2021**

(54) **CARD HOLDER**

(71) Applicant: **Billy Johnson**, Mabank, TX (US)

(72) Inventor: **Billy Johnson**, Mabank, TX (US)

(\*\*) Term: **15 Years**

(21) Appl. No.: **29/725,928**

(22) Filed: **Feb. 27, 2020**

(51) **LOC (13) Cl.** ..... **03-01**

(52) **U.S. Cl.**  
USPC ..... **D3/247**

(58) **Field of Classification Search**  
USPC ..... D2/865, 866, 882-884, 891-894;  
D3/232-238, 247-253, 303, 318-319  
CPC ... A42B 1/241; A42B 1/206; A45C 2013/026;  
A45C 1/06  
See application file for complete search history.

(56) **References Cited**

**U.S. PATENT DOCUMENTS**

2,155,076	A *	4/1939	Berman	.....	A41D 27/20 2/227
4,312,076	A *	1/1982	Gamm	.....	A42B 1/241 2/195.2
D268,146	S *	3/1983	Rock	.....	D2/857
4,386,437	A *	6/1983	Fosher	.....	A42B 1/241 2/10
D337,193	S *	7/1993	Nguyen	.....	D2/857
5,704,070	A *	1/1998	Stogner	.....	A42B 1/241 2/175.1
D392,090	S *	3/1998	Monkhouse	.....	D2/500
5,724,678	A *	3/1998	McCallum	.....	A42B 1/241 2/209.13
D419,282	S *	1/2000	Nickle	.....	D2/857
D625,083	S *	10/2010	Cho	.....	D2/891
D689,671	S *	9/2013	Porti	.....	D2/891
D728,937	S *	5/2015	Fridley	.....	D3/303

(Continued)

*Primary Examiner* — Jennifer L Watkins

*Assistant Examiner* — Samantha Lynne Brodowski

(74) *Attorney, Agent, or Firm* — Braxton Perrone, PLLC; Bobby W. Braxton; Gregory Perrone

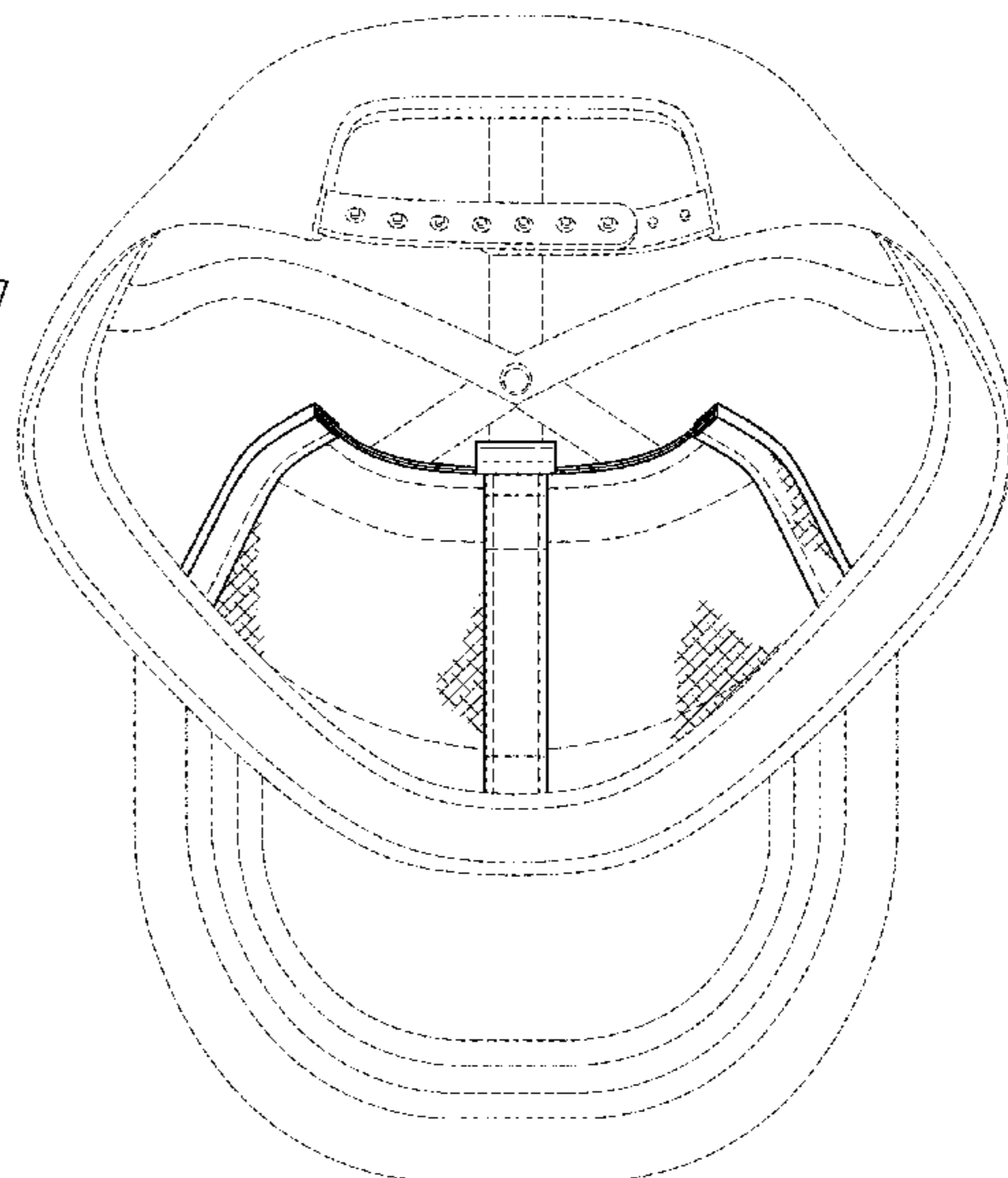
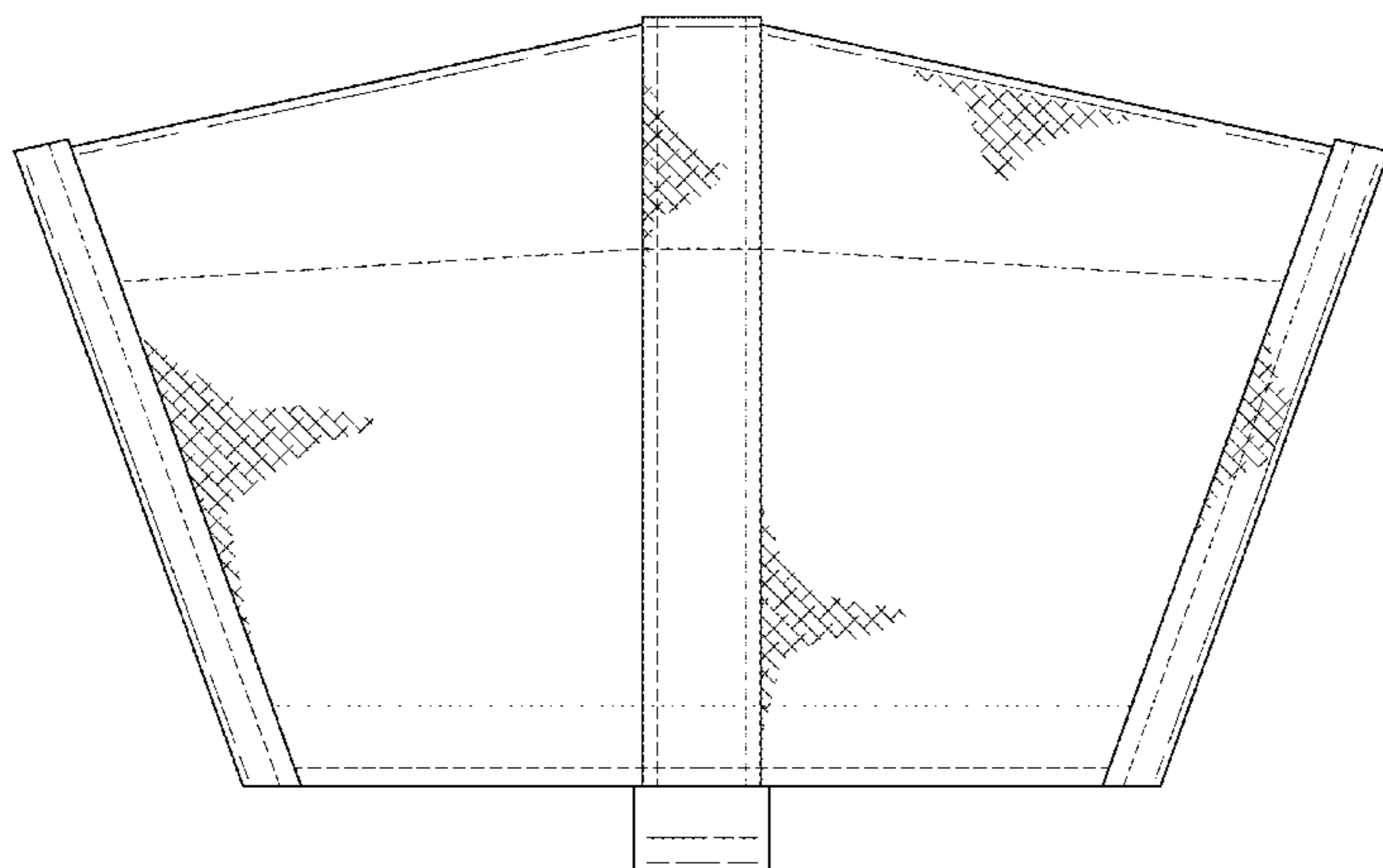
(57) **CLAIM**

The ornamental design for a card holder, as shown and described.

**DESCRIPTION**

FIG. 1 is a top perspective view of a first embodiment of a card holder, showing my new design;  
 FIG. 2 is a front elevation view thereof;  
 FIG. 3 is a rear elevation view thereof;  
 FIG. 4 is a right side view thereof;  
 FIG. 5 is a left side view thereof;  
 FIG. 6 is a top plan view thereof;  
 FIG. 7 is a bottom plan view thereof;  
 FIG. 8 is a perspective view thereof, shown in an open position exposing the hook and loop fasteners;  
 FIG. 9 is a top plan view of a second embodiment of a card holder, without stitching;  
 FIG. 10 is a top perspective view thereof, shown in an open position exposing the hook and loop fasteners, without stitching;  
 FIG. 11 is a perspective view of the card holder of FIG. 1, shown in a slightly bent position for insertion into a baseball cap;  
 FIG. 12 is a perspective view thereof, shown in a position of use with a credit card being inserted in to the card holder; and,  
 FIG. 13 is a perspective view thereof; shown in a position of use inside of a baseball cap.  
 The evenly dashed broken lines on claimed surfaces depict claimed stitching. The evenly dashed broken line showing of a credit card in FIG. 12 and a baseball cap in FIG. 13 depicts environment and forms no part of the claim. The Dash-Dot-Dot-Dash broken line showing of a hand in FIG. 12 depicts environment and forms no part of the claim.

**1 Claim, 10 Drawing Sheets**



(56)

**References Cited**

U.S. PATENT DOCUMENTS

D732,829	S *	6/2015	Johnson	.....	D3/318
D744,235	S *	12/2015	Eskandry	.....	D3/303
D805,780	S *	12/2017	Hughes	.....	D3/319
D827,295	S *	9/2018	Clervi	.....	D3/232
D846,238	S *	4/2019	Cutone	.....	D2/891
D868,429	S *	12/2019	Hogard	.....	D2/891
D899,770	S *	10/2020	Leonard	.....	D3/251
D910,310	S *	2/2021	Mason	.....	D3/303
2004/0222253	A1 *	11/2004	Linch	.....	A42B 1/241 223/85
2005/0210563	A1 *	9/2005	Monshouwer	.....	A42B 1/241 2/195.1
2009/0199321	A1 *	8/2009	Stingone	.....	A42B 1/0185 2/209.12
2011/0041238	A1 *	2/2011	Brzoska	.....	A42B 1/004 2/209.13

\* cited by examiner

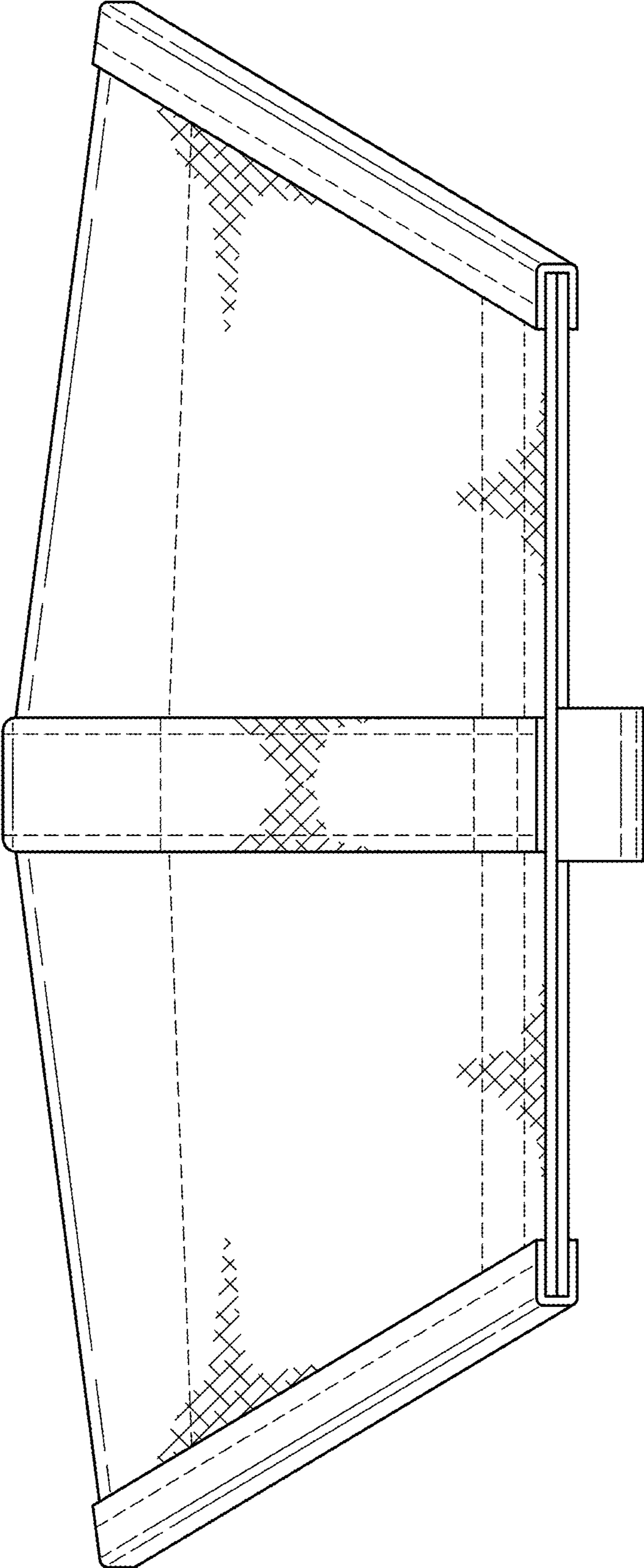


FIG. 1



FIG. 2



FIG. 3

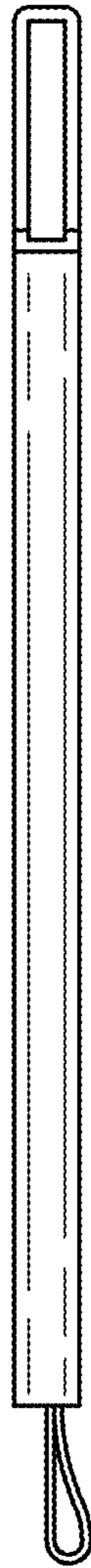


FIG. 4



FIG. 5



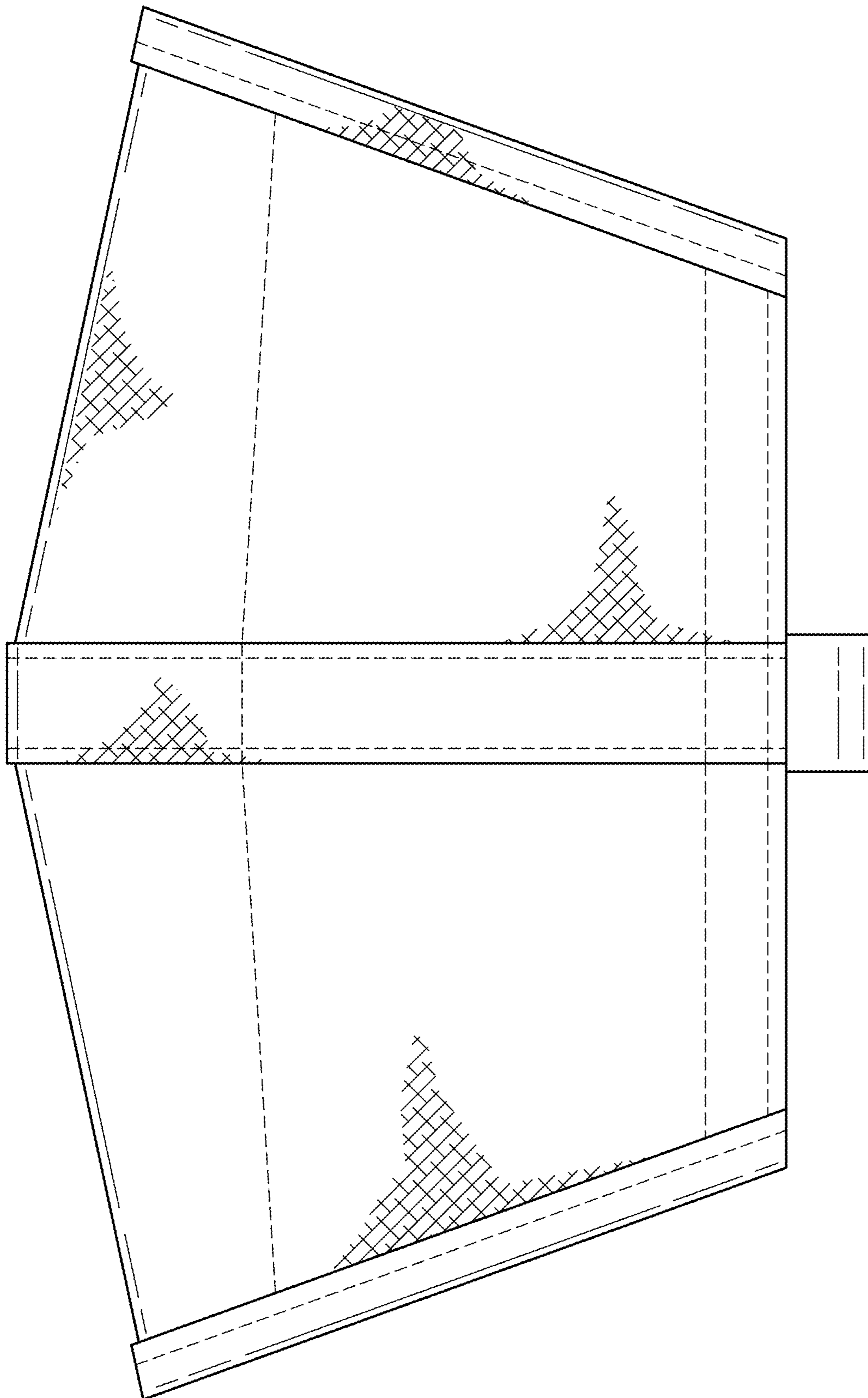


FIG. 6

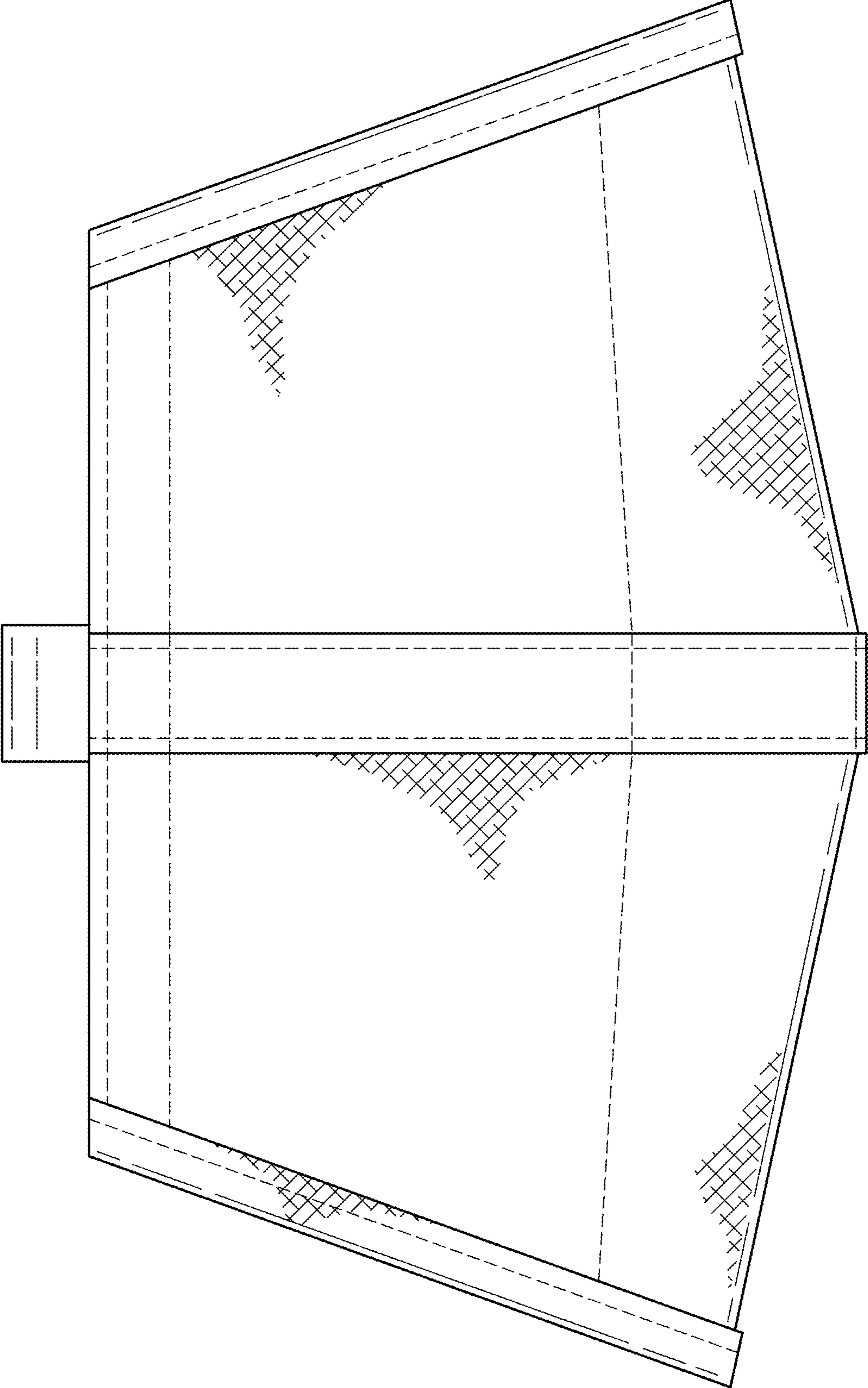


FIG. 7

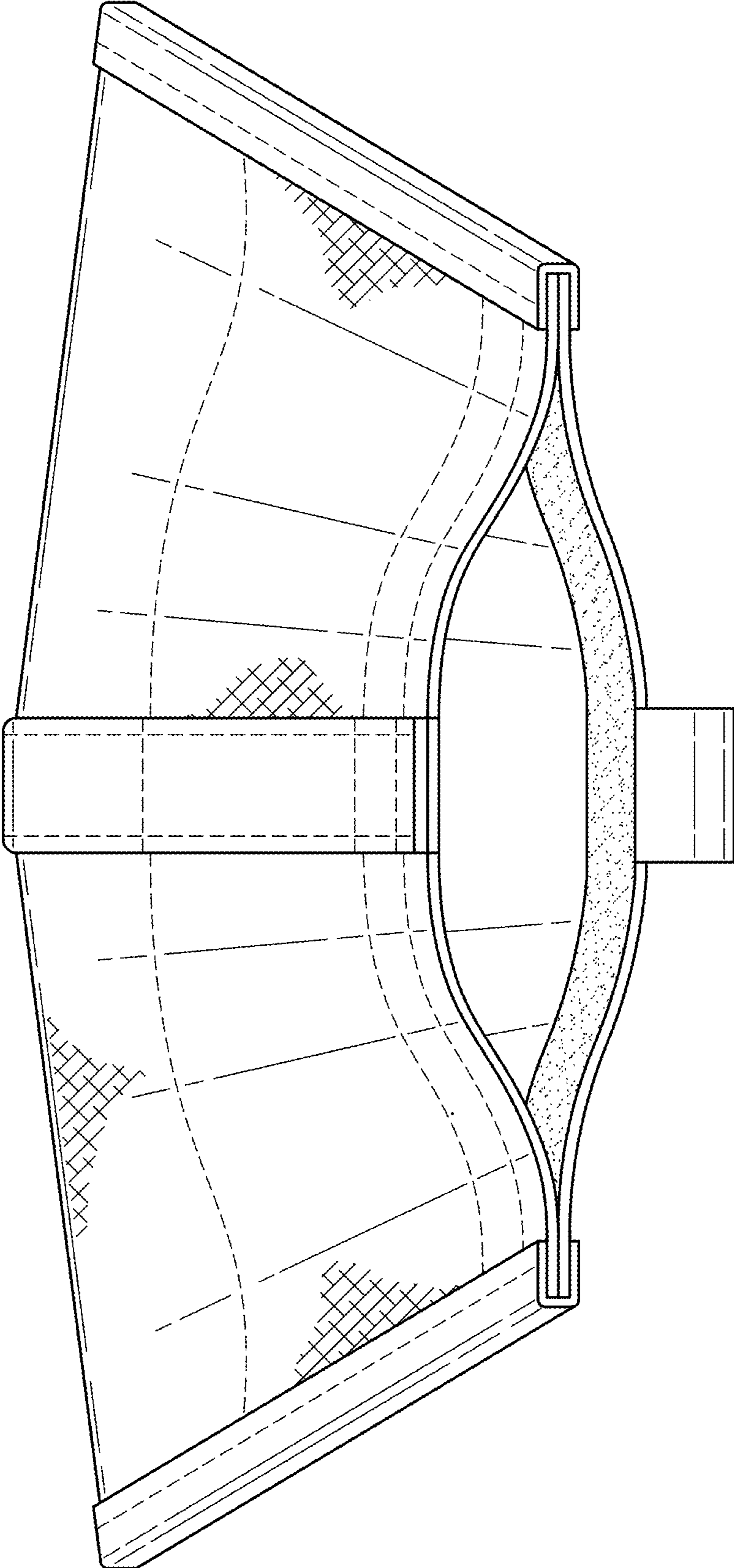


FIG. 8

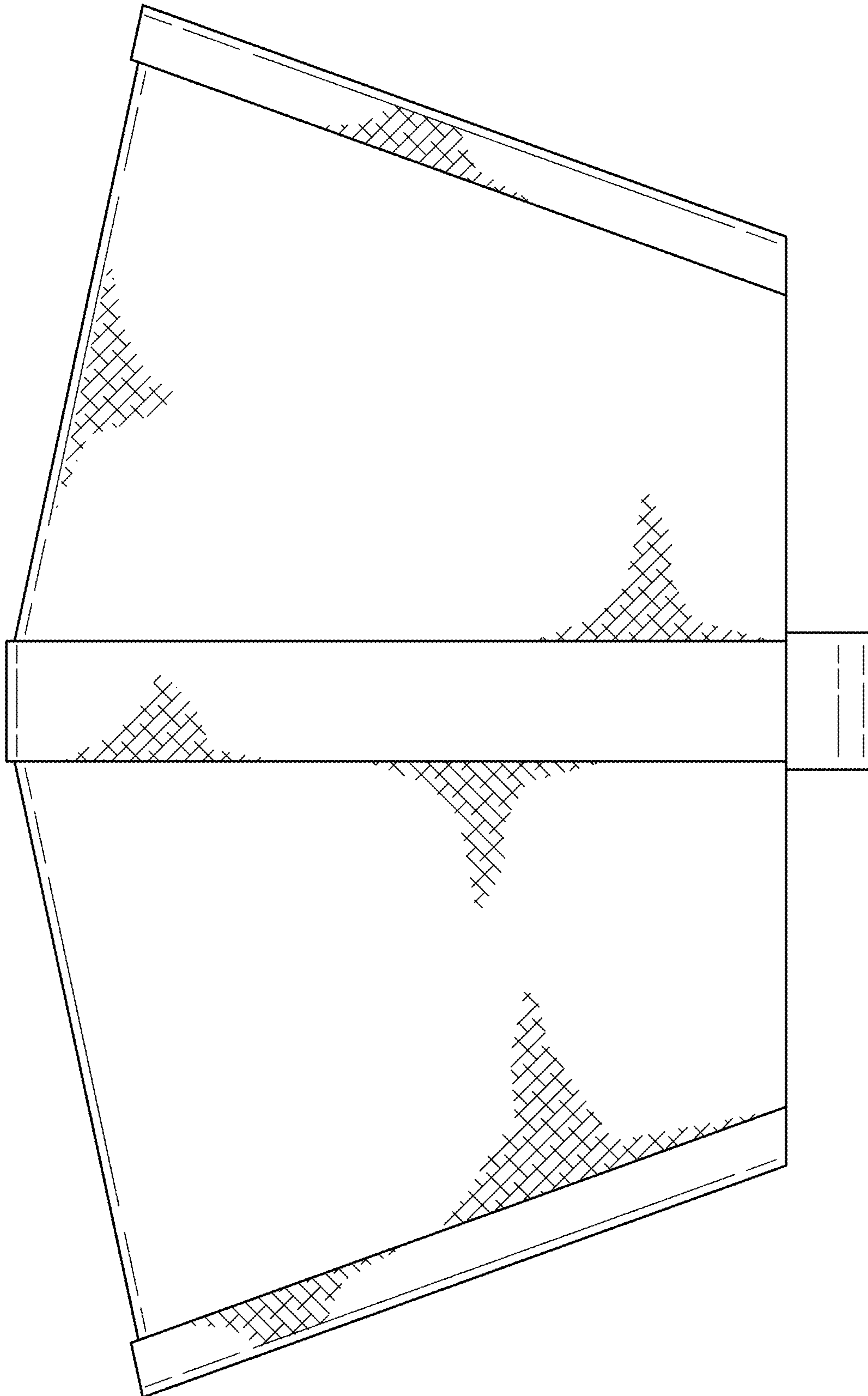


FIG. 9



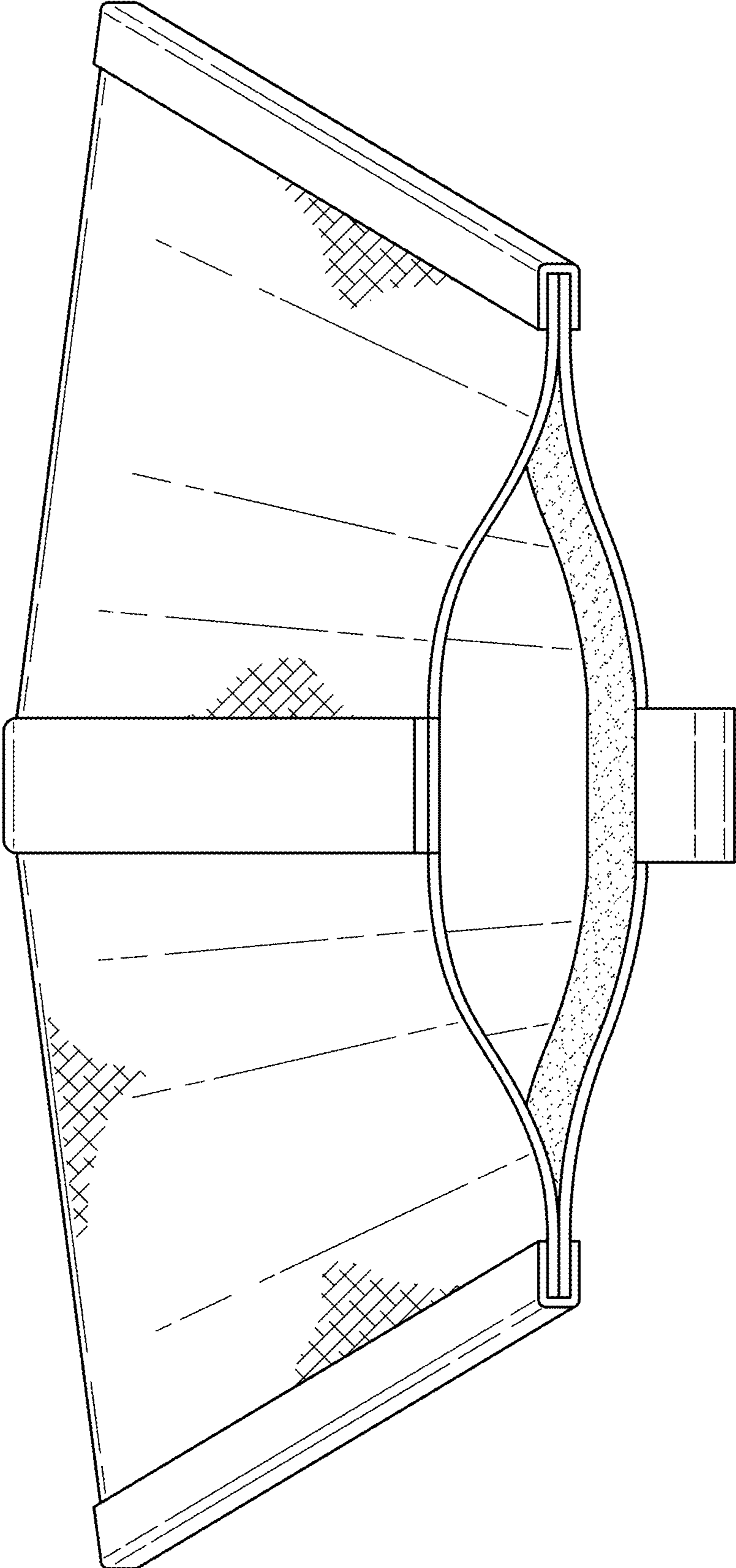


FIG. 10

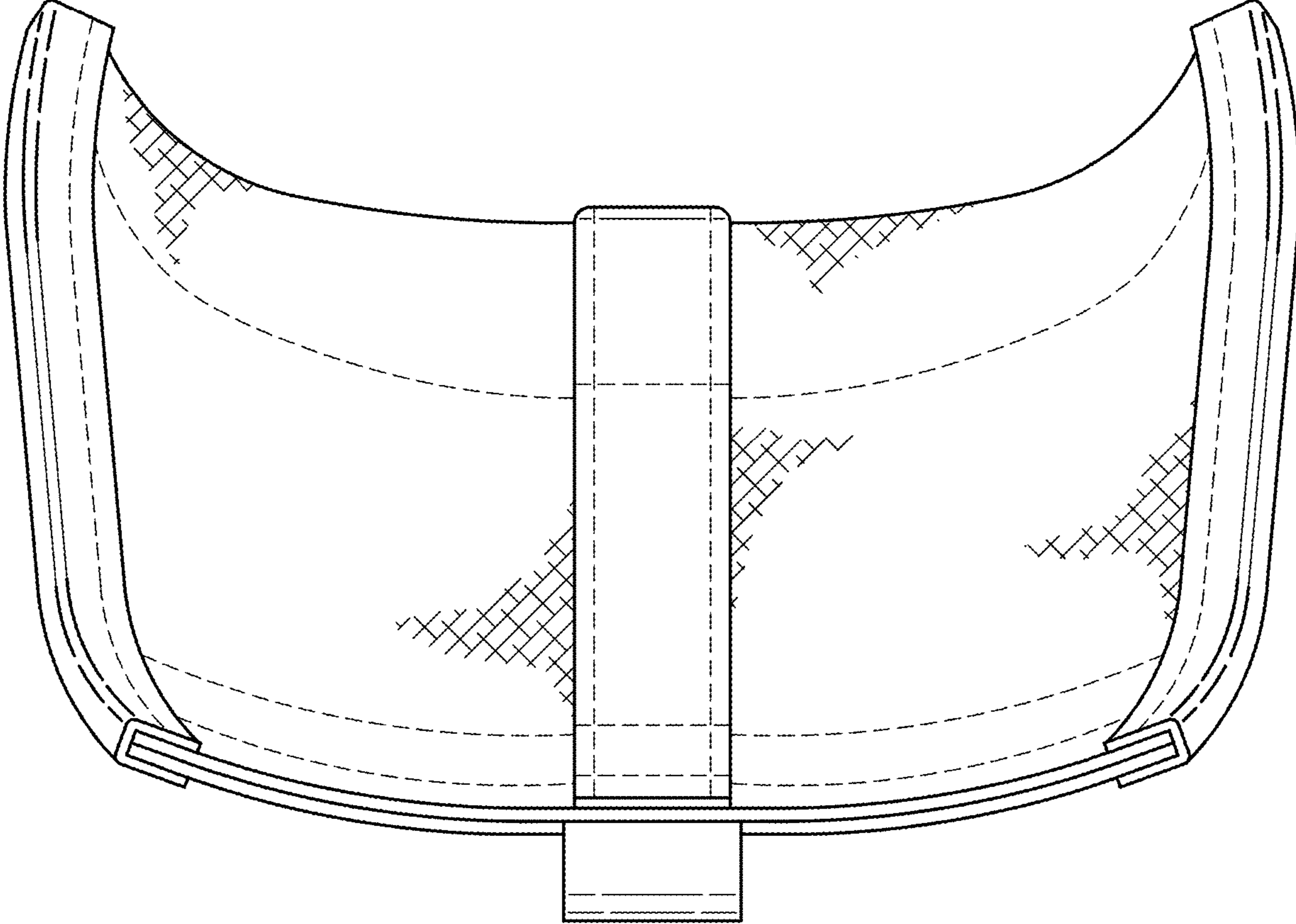


FIG. 11

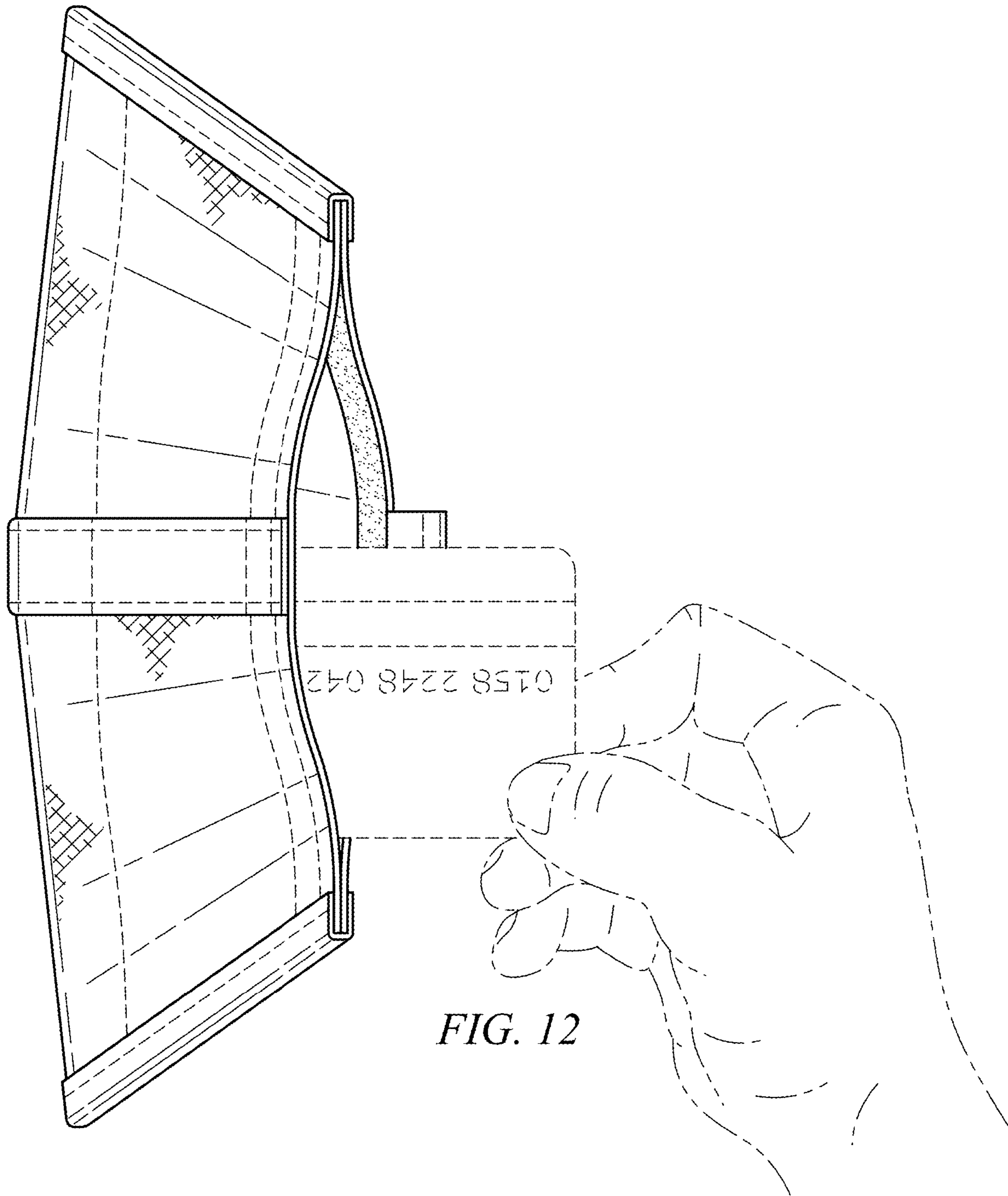


FIG. 12

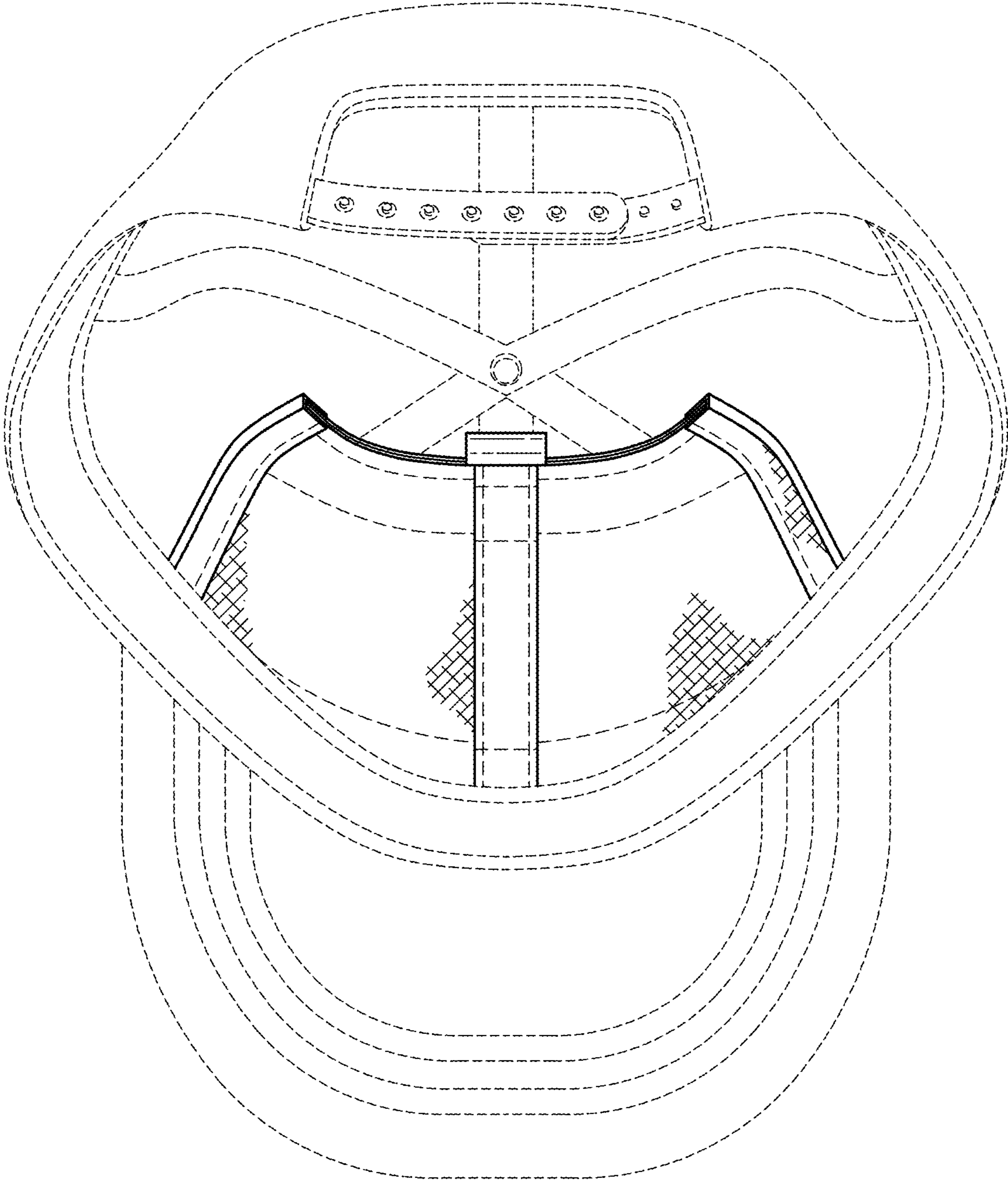


FIG. 13