



US00D934558S

(12) **United States Design Patent** (10) **Patent No.:** **US D934,558 S**
Teves (45) **Date of Patent:** **** Nov. 2, 2021**

(54) **MOBILE PHONE COSMETICS CONTAINER**

2015/0216285 A1* 8/2015 Grainger A45D 40/18
206/581

(71) Applicant: **Christina Teves**, North Andover, MA
(US)

2018/0069585 A1* 3/2018 Azodi A45D 40/24
2019/0142134 A1* 5/2019 Kim A45C 15/00
206/581

(72) Inventor: **Christina Teves**, North Andover, MA
(US)

FOREIGN PATENT DOCUMENTS

(**) Term: **15 Years**

DE 10014423 A1 10/2001
DE 20302108 U1 7/2003

(21) Appl. No.: **29/689,361**

OTHER PUBLICATIONS

(22) Filed: **Apr. 29, 2019**

US 5,788,919 A1, 09/2004, Watanabe (withdrawn)
Glow On The Go Selfie Light . . . <https://www.ulta.com/p/glow-on-go-selfie-light-xlslmprod18001073> (Year: 2018).*

(51) **LOC (13) Cl.** **03-01**

(52) **U.S. Cl.**

USPC **D3/218**; D14/253

(58) **Field of Classification Search**

USPC D3/218; D14/250–254, 447, 451–452,
D14/432–434, 440, 144, 217, 224, 114,
D14/177, 223, 400, 415–417, 224.1,
D14/238.1; 455/575.1, 575.6, 575.8;
206/37; D12/415–417, 114, 223

CPC A45F 5/00; B60R 11/00; B60R 11/0252;
F16M 13/02; H05K 5/0204; F16B 2/12;
H01F 7/0252; G03B 17/561; A45C 15/00;
A45C 11/008; A45C 2011/007; A45D
33/20; A45D 33/26

See application file for complete search history.

* cited by examiner

Primary Examiner — Catherine R Oliver-Garcia
(74) *Attorney, Agent, or Firm* — Lambert Shortell &
Connaughton; David J. Connaughton, Jr.; Gary E.
Lambert

(57) **CLAIM**

The ornamental design for a mobile phone cosmetics con-
tainer, as shown and described.

DESCRIPTION

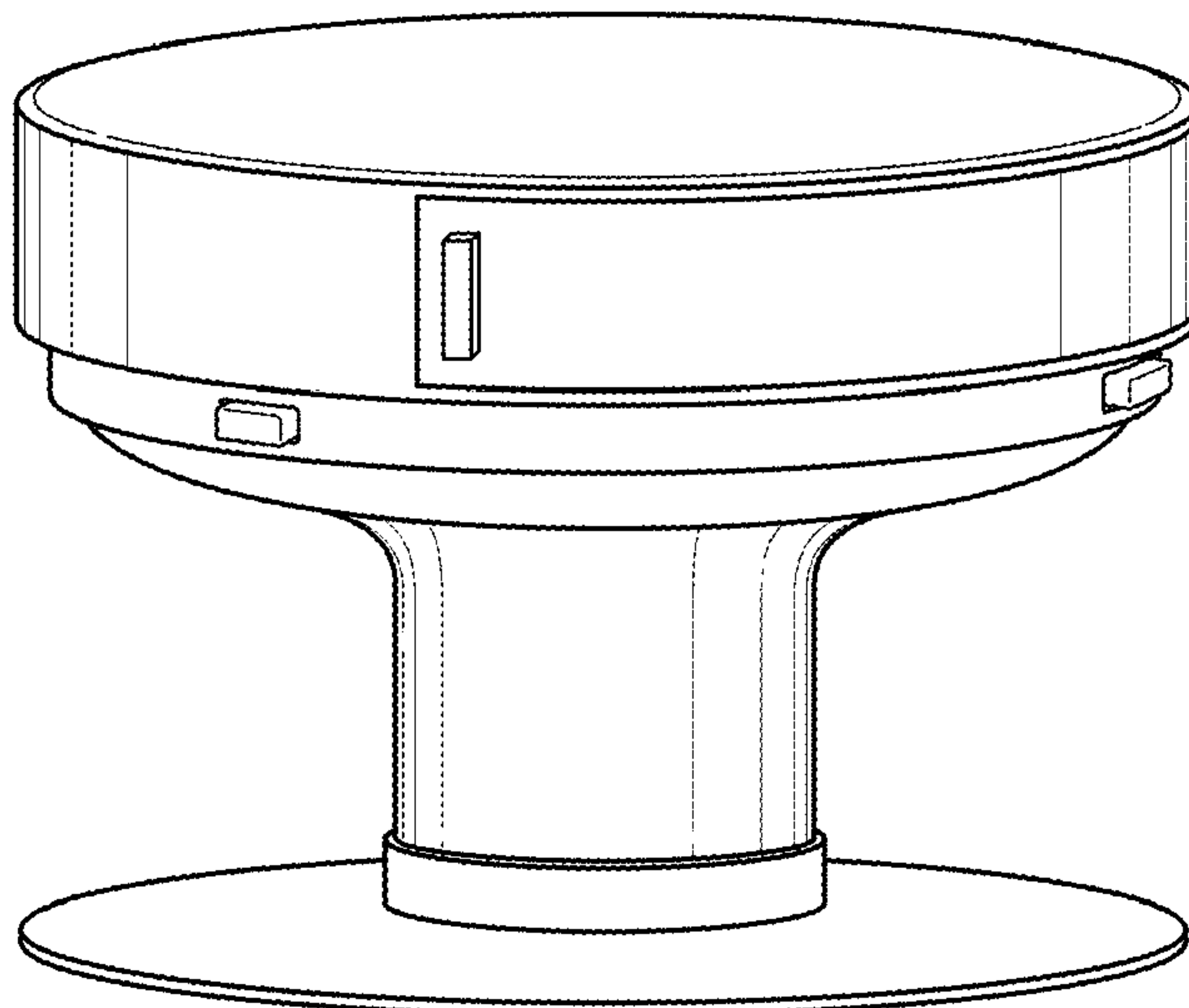
(56) **References Cited**

U.S. PATENT DOCUMENTS

8,418,852 B2 4/2013 Ziemba
8,560,031 B2 10/2013 Barnett
8,602,039 B1 12/2013 Gindi
8,737,066 B1 5/2014 Block
8,833,379 B1 9/2014 Kaplan
D886,093 S * 6/2020 Dubanowich D14/253
D918,082 S * 5/2021 Dandridge D11/2
D919,890 S * 5/2021 Chung D28/82
2006/0091222 A1 5/2006 Leung
2006/0094479 A1 5/2006 Napier-Clark
2012/0305442 A1* 12/2012 Apodaca A45D 33/006
206/581

FIG. 1 is a front isometric view of the mobile phone cosmetics container, which embodies my design;
FIG. 2 is side isometric view thereof;
FIG. 3 is a front isometric view, shown in an open position;
FIG. 4 is a side isometric view, shown in an open position;
FIG. 5 is a top plan view thereof;
FIG. 6 is a bottom plan view thereof;
FIG. 7 is a front elevation view;
FIG. 8 is a side elevation view thereof;
FIG. 9 is another side elevation view; and,
FIG. 10 is another side elevation view.

1 Claim, 5 Drawing Sheets



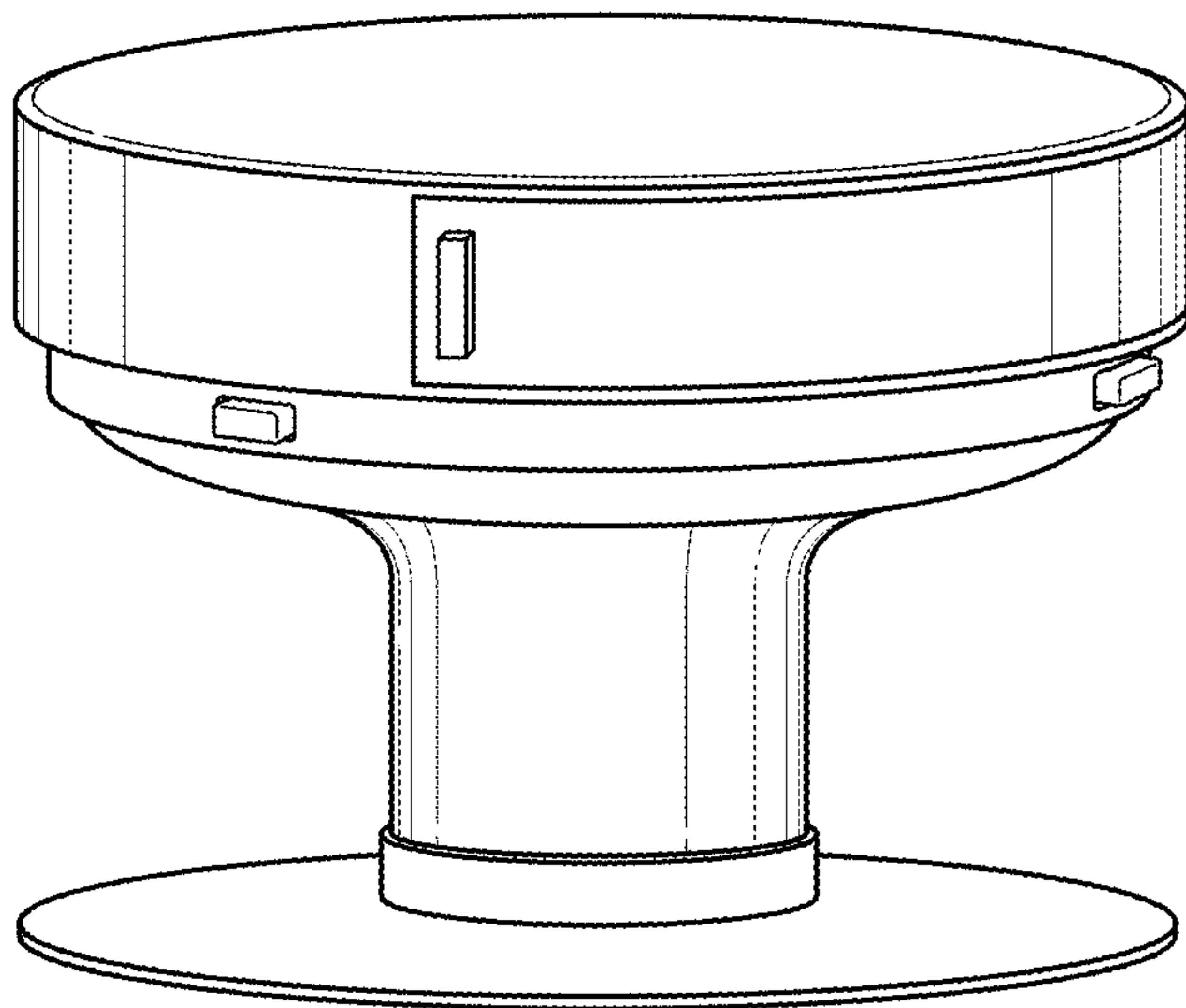


Fig. 1

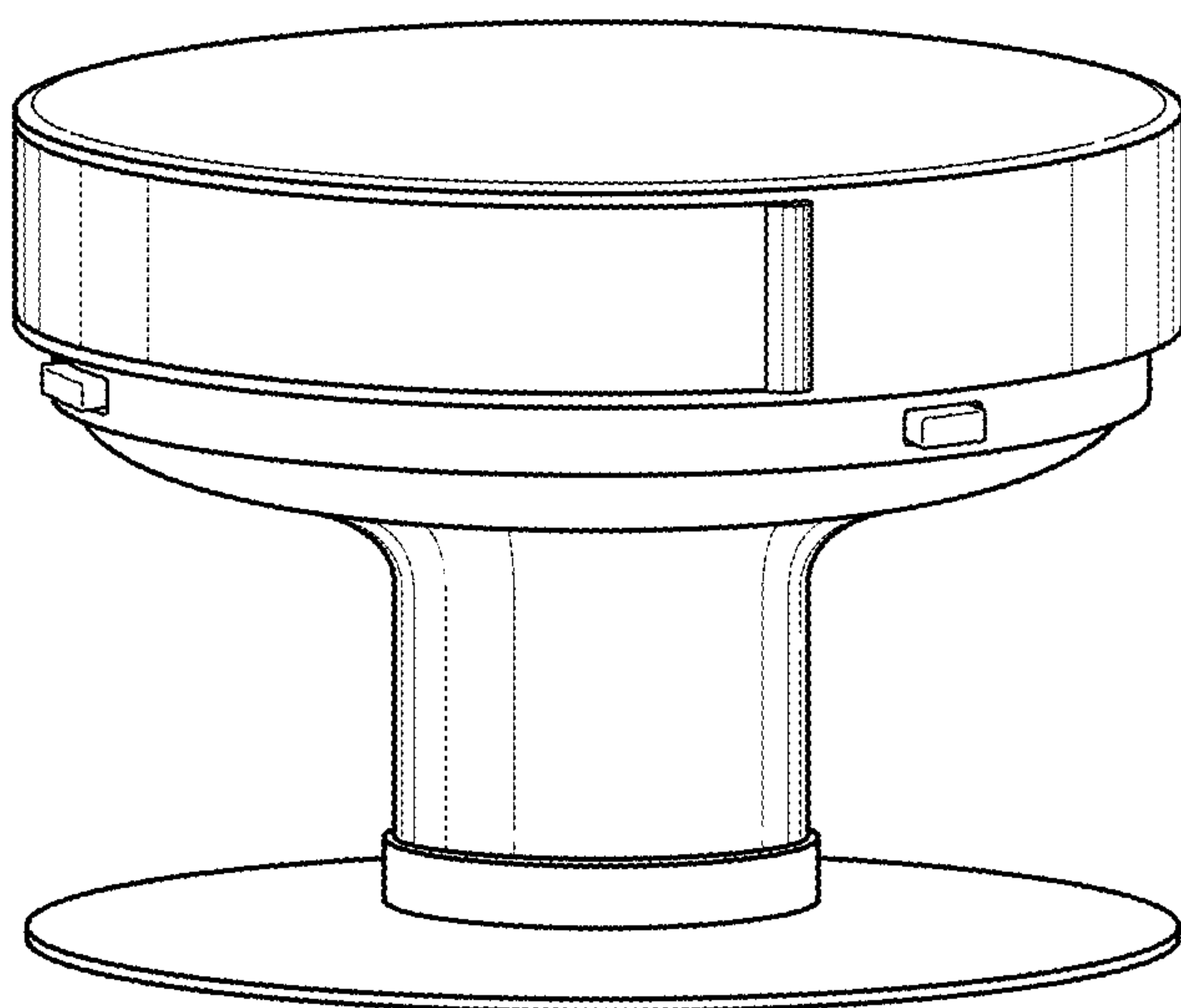


Fig. 2

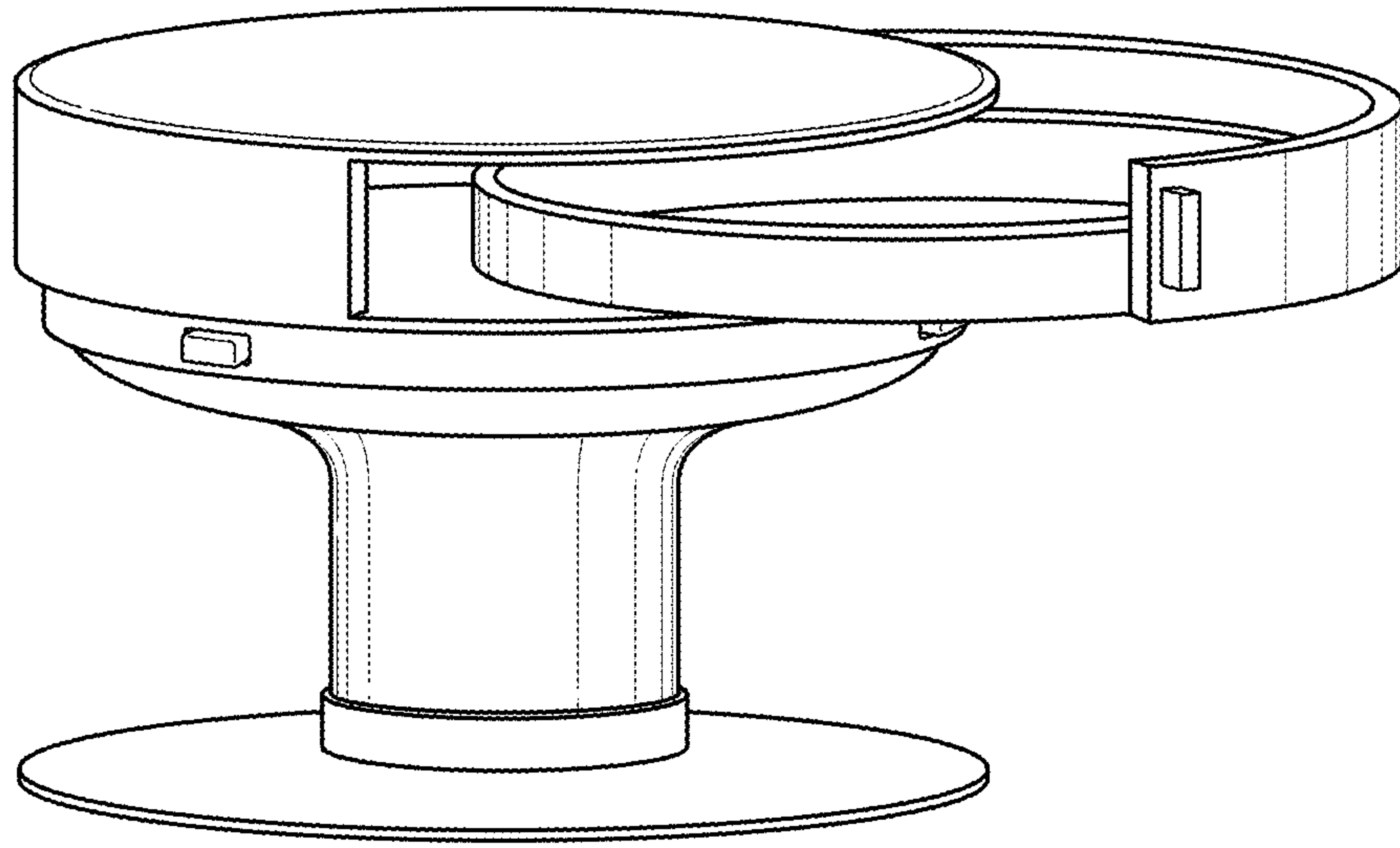


Fig. 3

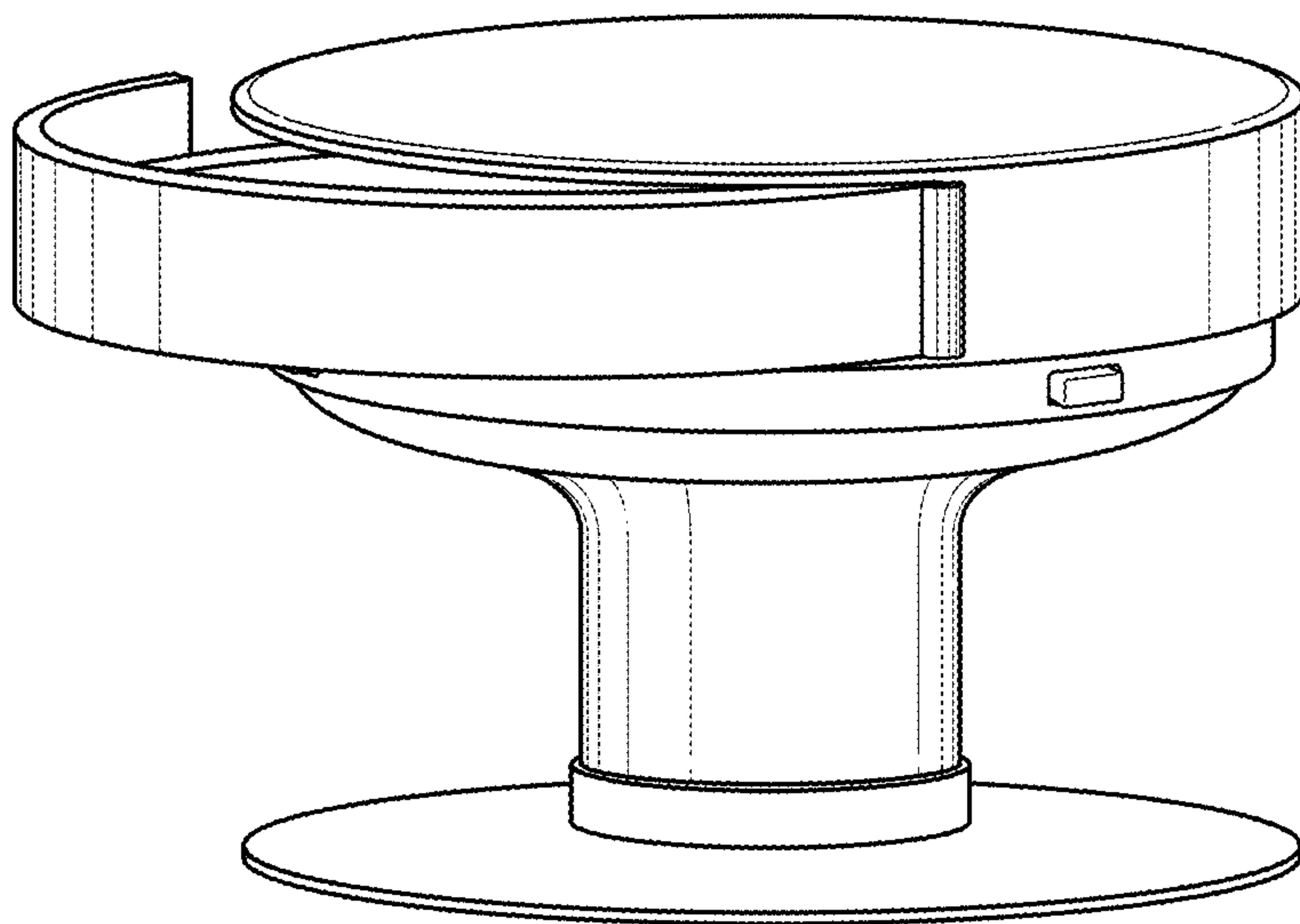


Fig. 4

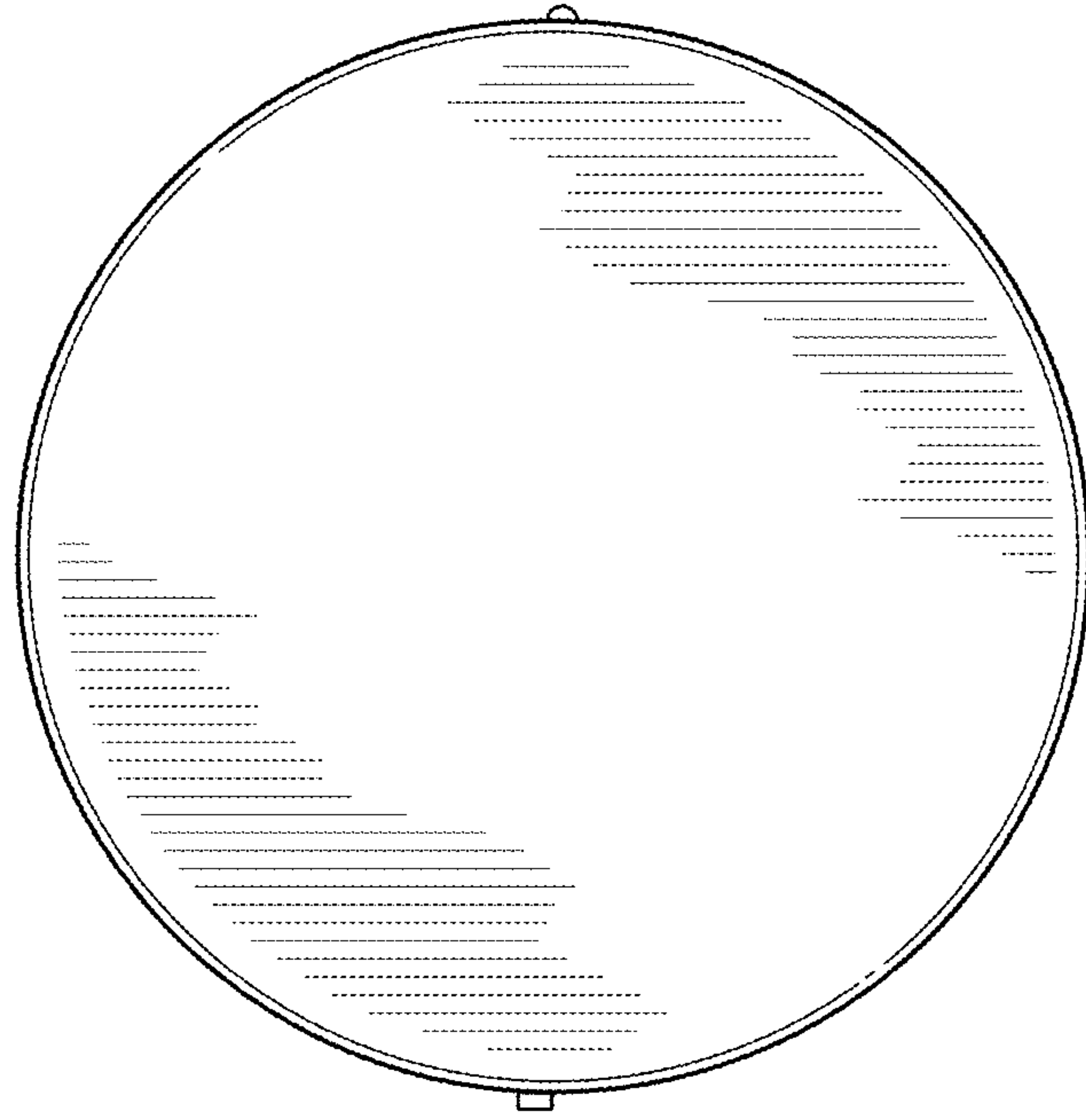


Fig. 5

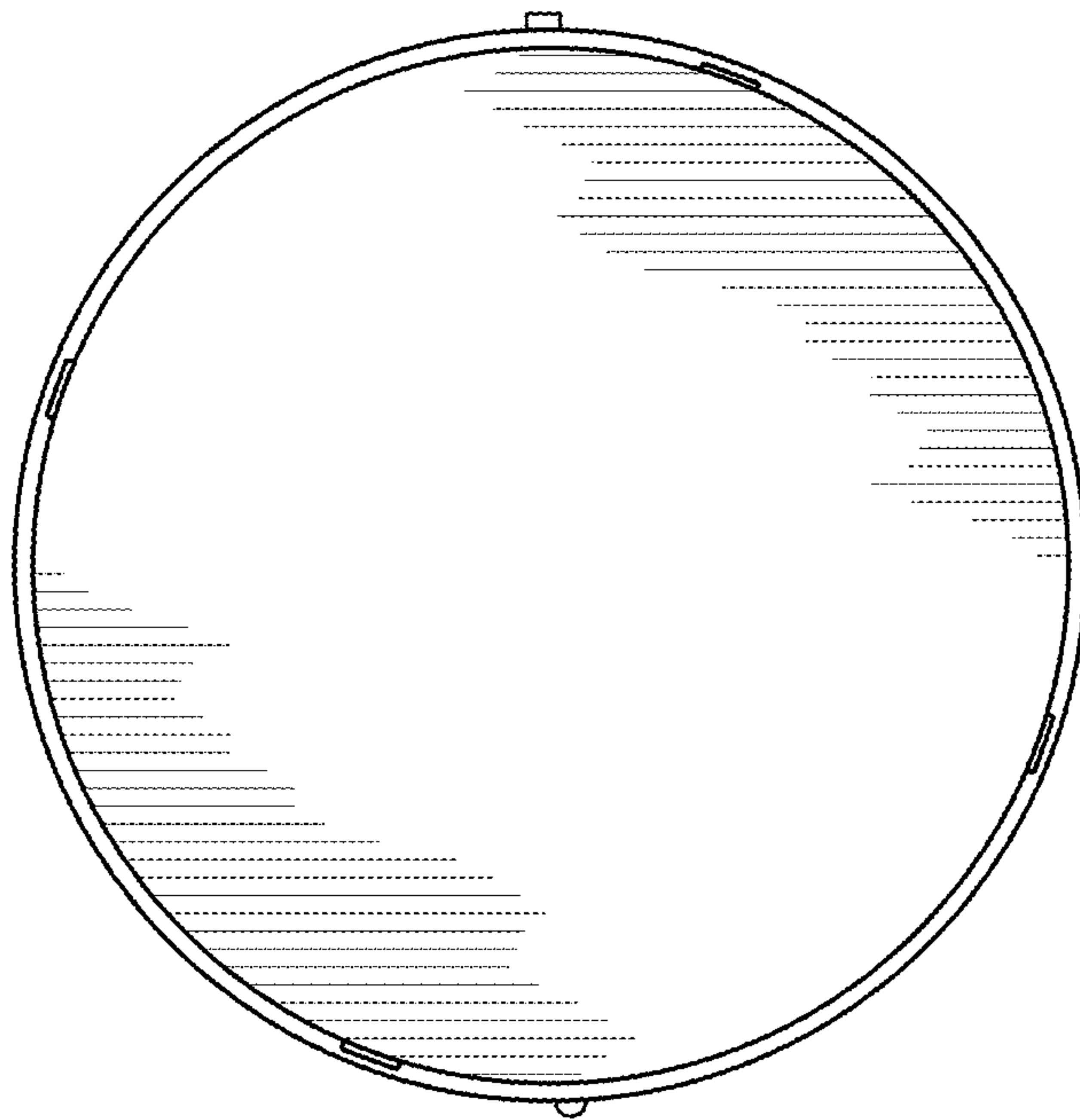


Fig. 6

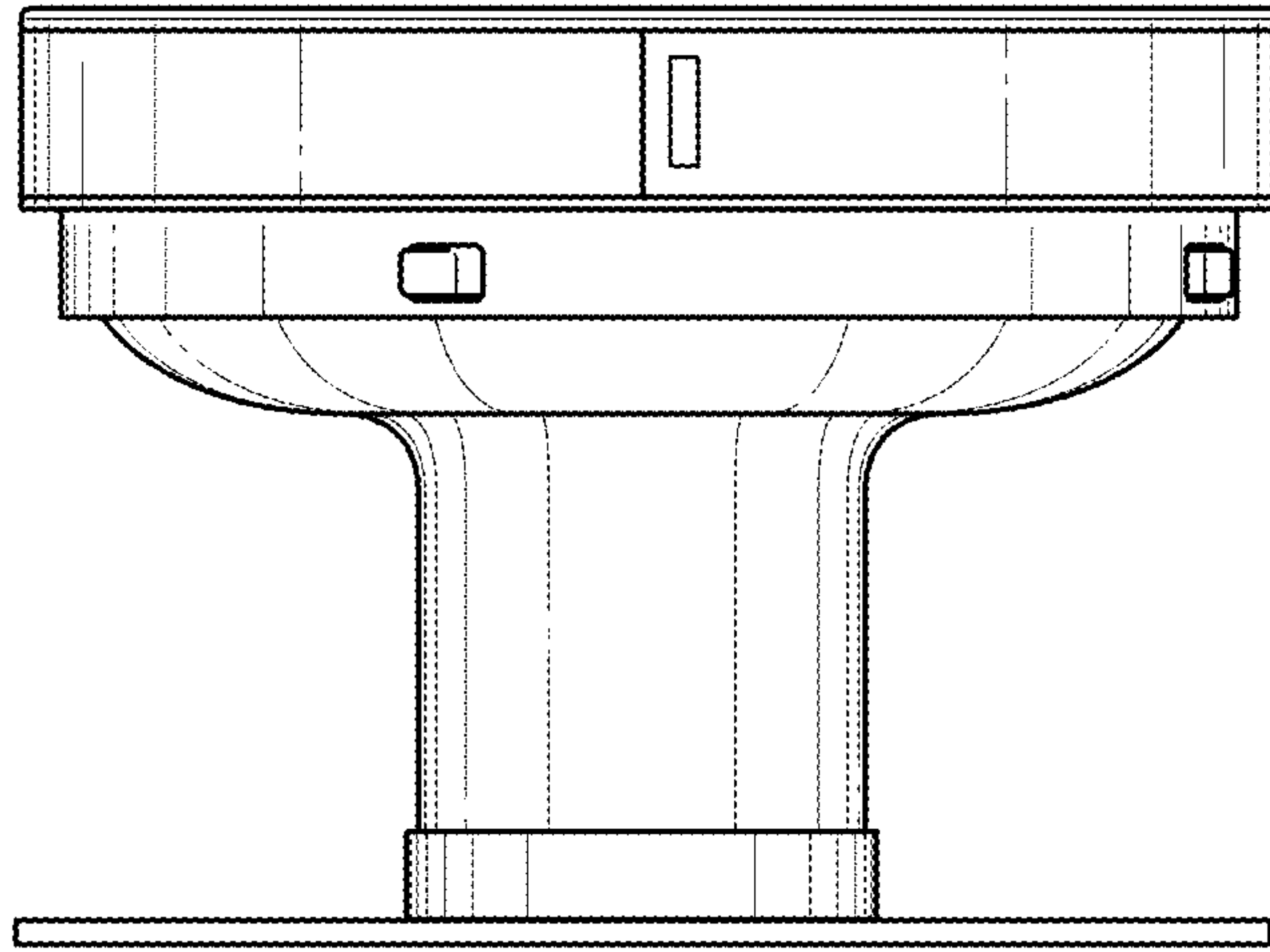


Fig. 7

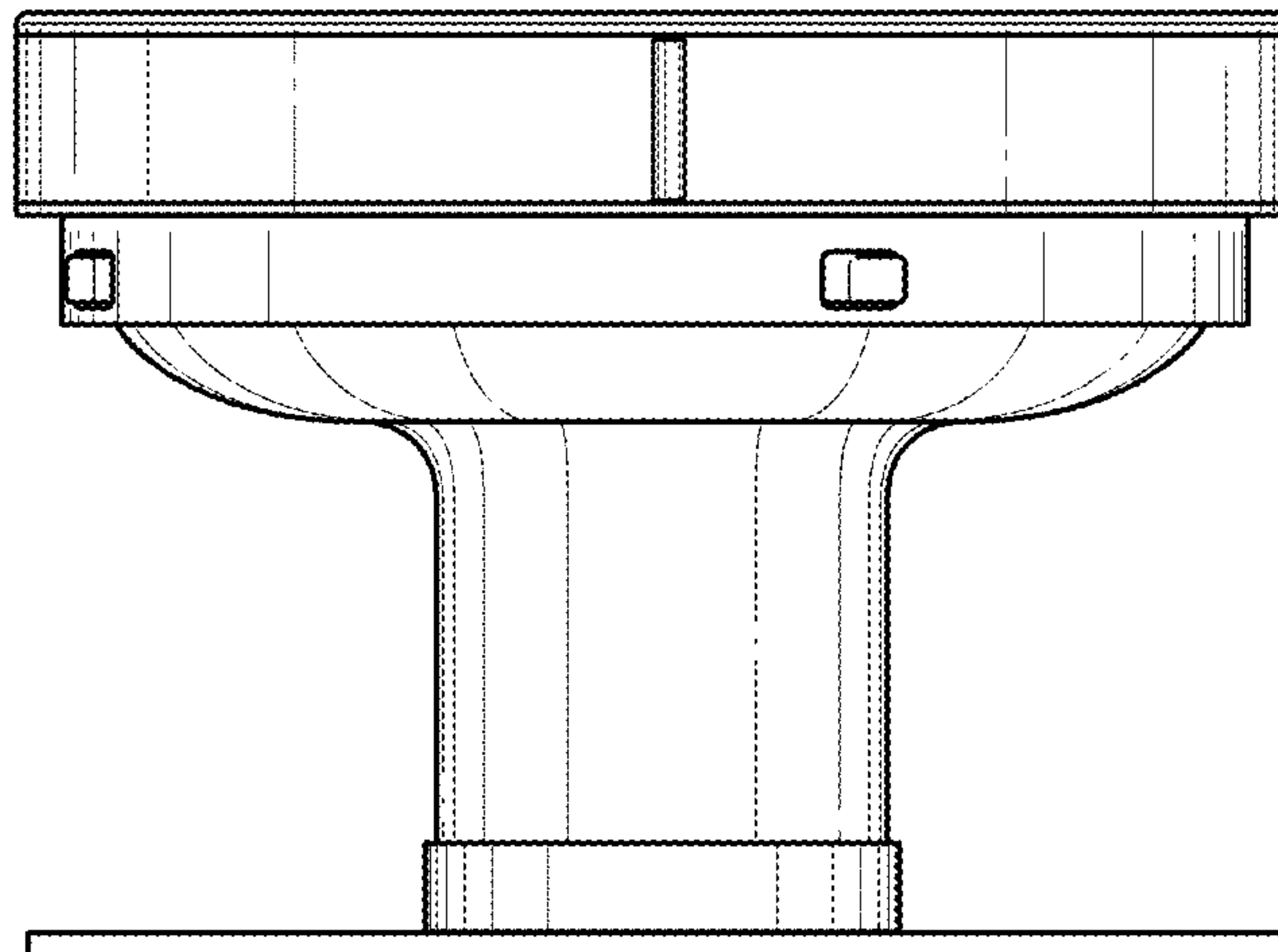


Fig. 8

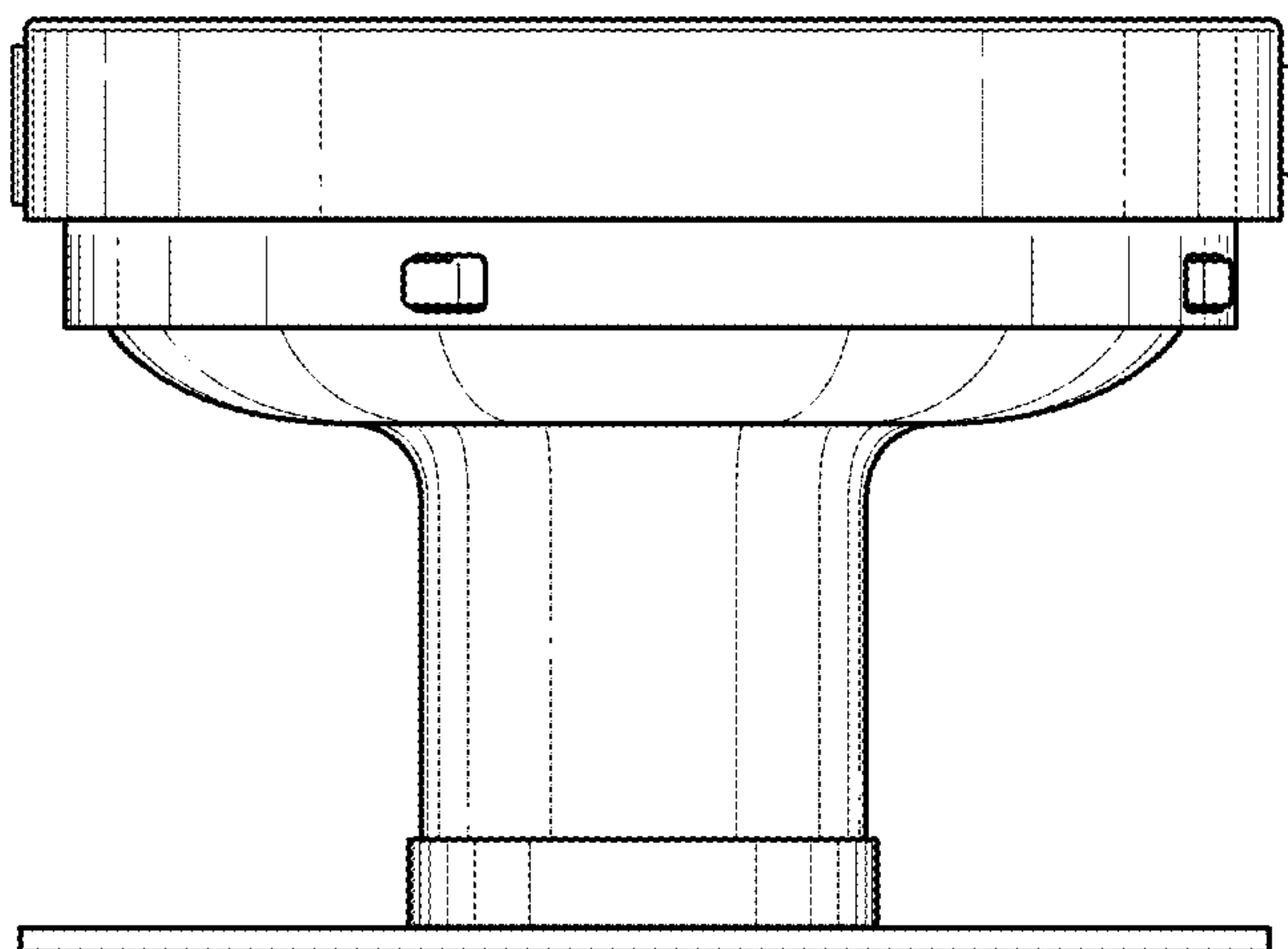


Fig. 9

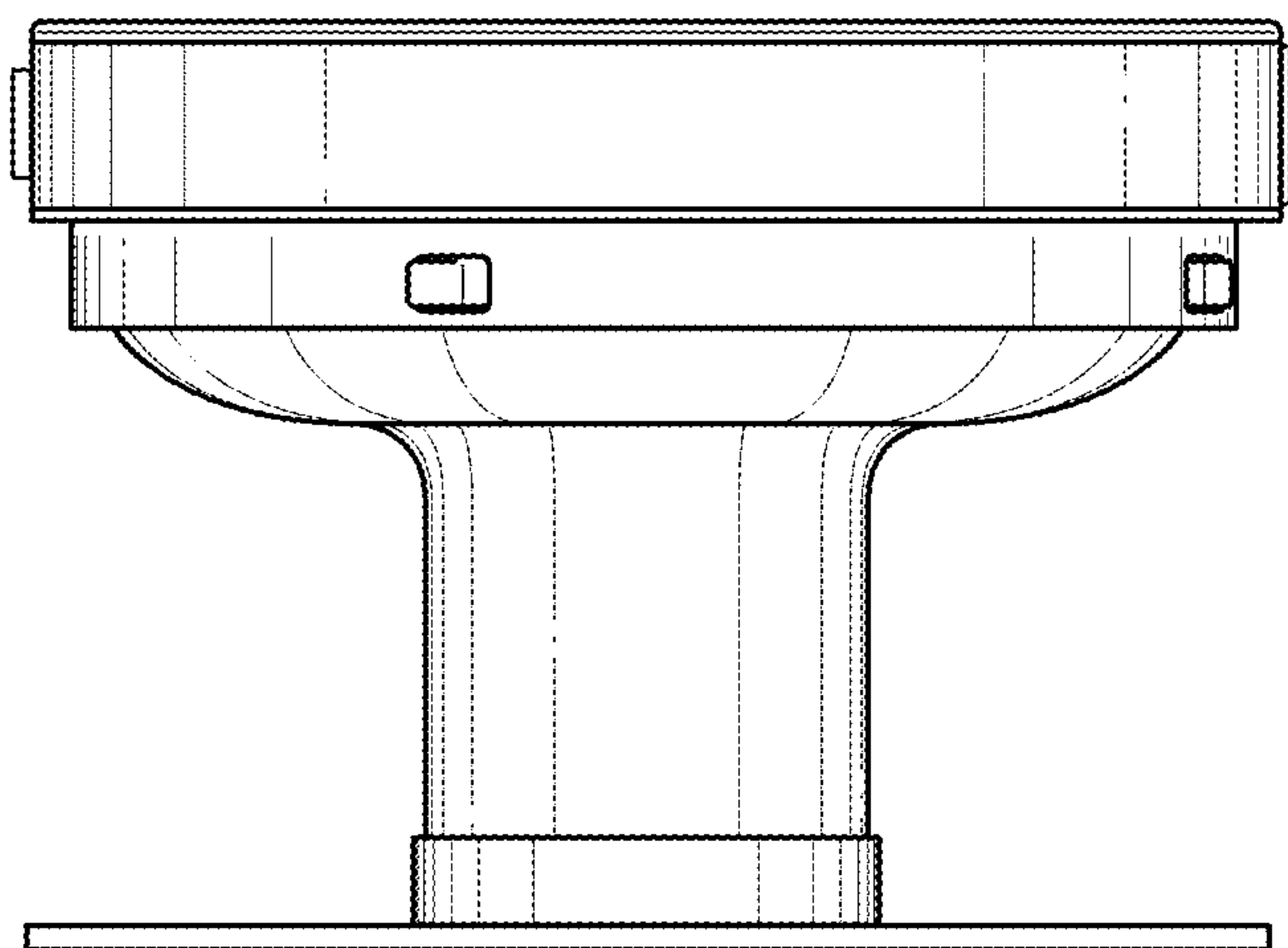


Fig. 10