



US00D934555S

(12) **United States Design Patent**
Cloward

(10) **Patent No.:** **US D934,555 S**

(45) **Date of Patent:** **** Nov. 2, 2021**

(54) **SEAM RIPPER**

(71) Applicant: **Cindy L. Cloward**, Alpine, UT (US)

(72) Inventor: **Cindy L. Cloward**, Alpine, UT (US)

(**) Term: **15 Years**

(21) Appl. No.: **29/724,855**

(22) Filed: **Feb. 19, 2020**

(51) **LOC (13) Cl.** **03-01**

(52) **U.S. Cl.**

USPC **D3/18**

(58) **Field of Classification Search**

USPC D3/18, 20, 28; D15/77, 78

CPC A41H 31/005; B26B 1/08; B26B 29/02;

B26B 5/005; D05B 89/00; D05B 37/04

See application file for complete search history.

(56) **References Cited**

U.S. PATENT DOCUMENTS

2,764,814 A * 10/1956 Jecker A41H 31/005

30/294

3,100,935 A * 8/1963 Leafe B26B 27/00

30/294

D222,660 S * 11/1971 Miles et al. D8/61

D225,700 S * 1/1973 Ament et al. D3/18

D225,701 S * 1/1973 Ament et al. D3/18

3,972,117 A * 8/1976 Fogg A41H 31/005

30/287

4,175,498 A * 11/1979 Walters D05B 89/00

112/129

4,510,688 A * 4/1985 White A41H 31/005

30/294

D296,042 S * 6/1988 Lee D3/18

D351,059 S * 10/1994 Kahlcke A61B 17/3213

D3/18

5,896,667 A * 4/1999 Hawkins B26B 1/00

30/294

D418,672 S * 1/2000 Mobbs A41H 31/005

D3/18

6,240,645 B1 * 6/2001 Ozeki A41H 31/005

30/240

9,402,644 B2 * 8/2016 Racenet A61B 17/320016

D792,705 S * 7/2017 Farnum D3/18

D820,582 S * 6/2018 Farnum B26B 11/00

D3/18

10,092,052 B2 * 10/2018 Farnum A41H 31/005

10,219,567 B2 * 3/2019 Farnum D05B 89/00

10,427,310 B2 * 10/2019 Scimone A41H 31/005

D877,487 S * 3/2020 Iwasaki A41H 31/005

D3/18

10,729,198 B2 * 8/2020 Iwasaki B26B 1/08

(Continued)

OTHER PUBLICATIONS

Cindy's Seam Ripper by Riley Blake Designs, amazon.com, https://www.amazon.com/Cindys-Ripper-Riley-Blake-Designs/dp/B08L9R6SPS/ref=pd_ybh_a_38?_encoding=UTF8&psc=1&refRID=N8XBM4NTR4HP3CPQDT52 (Year: 2020).*

Primary Examiner — Steven J Czyn

(74) *Attorney, Agent, or Firm* — Terrence J. Edwards;
TechLaw Ventures, PLLC

(57) **CLAIM**

I claim the ornamental design for a seam ripper, as shown and described.

DESCRIPTION

FIG. 1 is a top perspective view of a seam ripper;

FIG. 2 is a top view thereof;

FIG. 3 is a bottom view thereof;

FIG. 4 is a side view thereof;

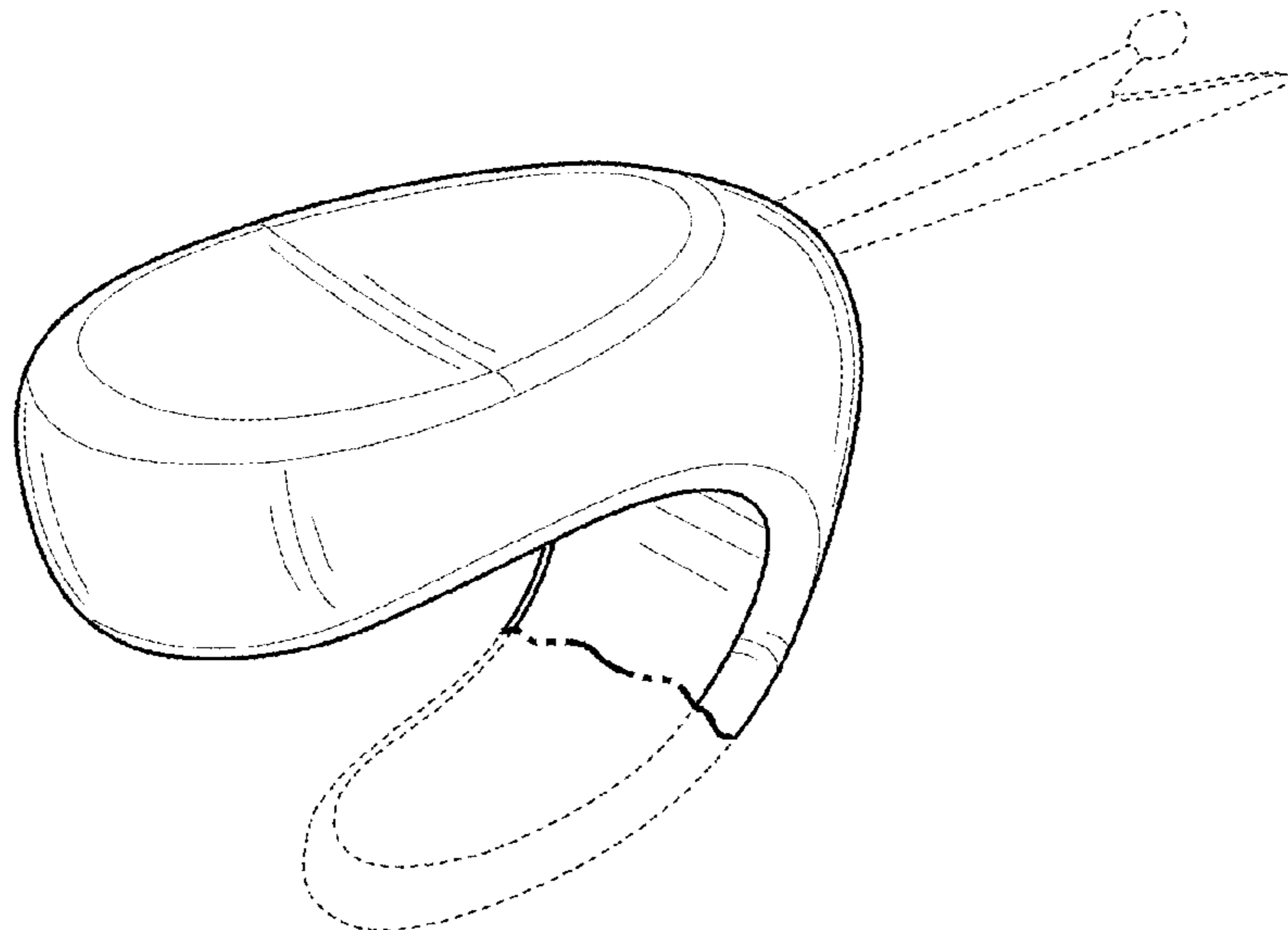
FIG. 5 is a side view thereof;

FIG. 6 is a front view thereof; and,

FIG. 7 is a rear view thereof.

In the drawings, the evenly-spaced broken lines depict portions of the article that form no part of the claimed design; the dot-dot-dash lines represent the boundary of the claimed design and forms no part thereof.

1 Claim, 3 Drawing Sheets



(56)

References Cited

U.S. PATENT DOCUMENTS

2005/0193568 A1* 9/2005 Peyrot B26B 29/02
30/162
2005/0262704 A1* 12/2005 DiSanto A41H 31/005
30/289
2007/0125398 A1* 6/2007 Johnson A45D 2/00
132/200
2008/0235954 A1* 10/2008 Radle B26B 11/00
30/152
2014/0182140 A1* 7/2014 Rosenhan A61B 17/3213
30/162
2014/0277042 A1* 9/2014 Racenet A61B 17/320016
606/170
2017/0099903 A1* 4/2017 Farnum F21V 33/0084
2017/0099904 A1* 4/2017 Farnum A41H 31/00

* cited by examiner

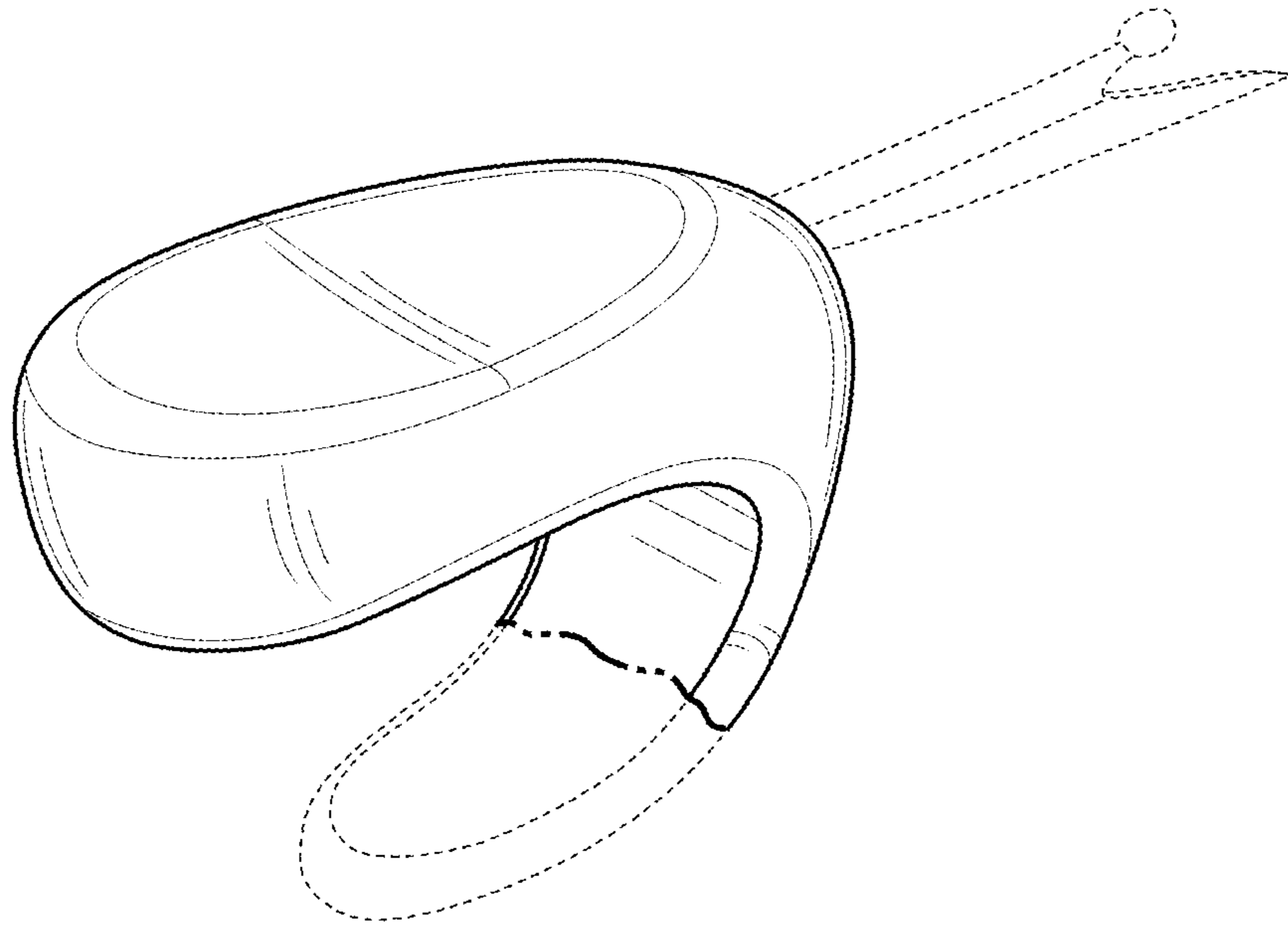


FIG. 1

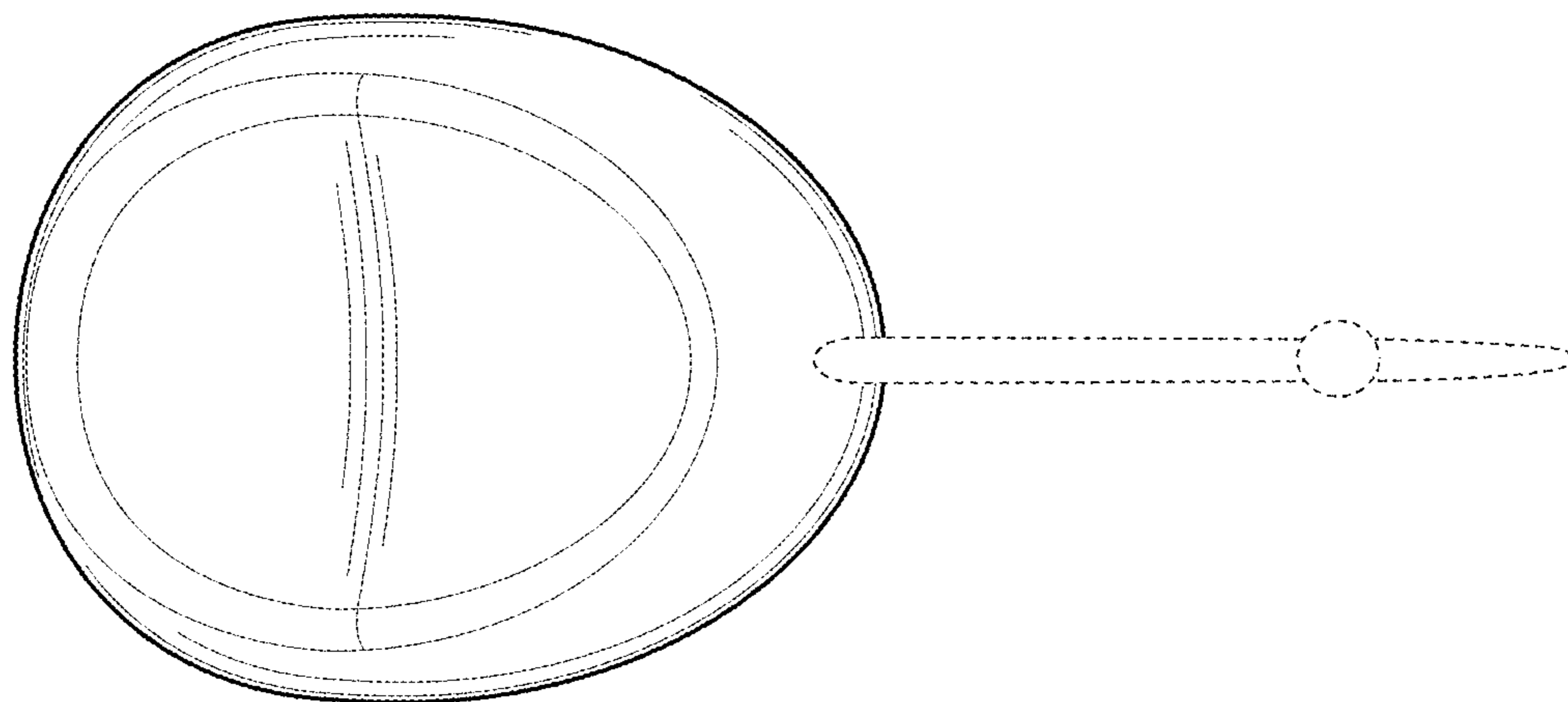


FIG. 2

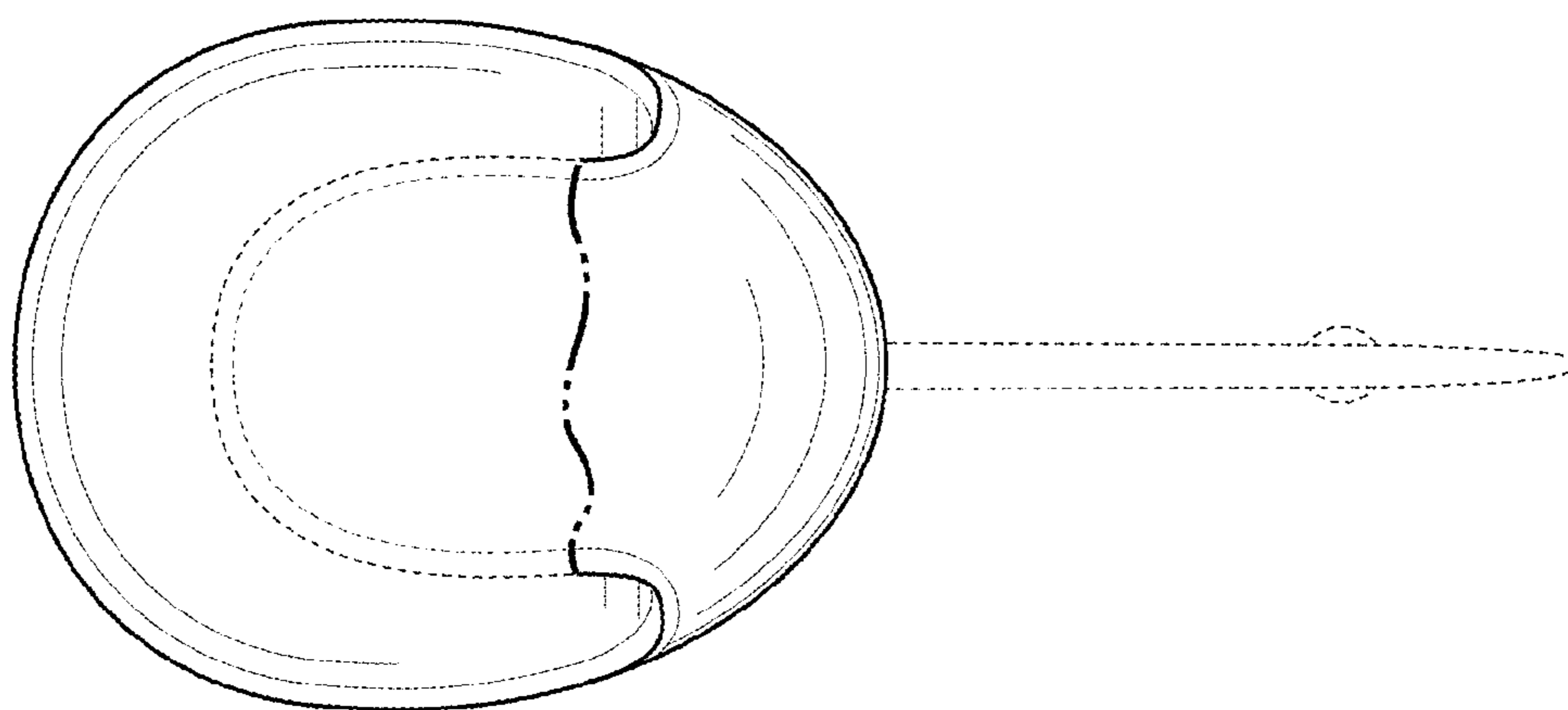


FIG. 3

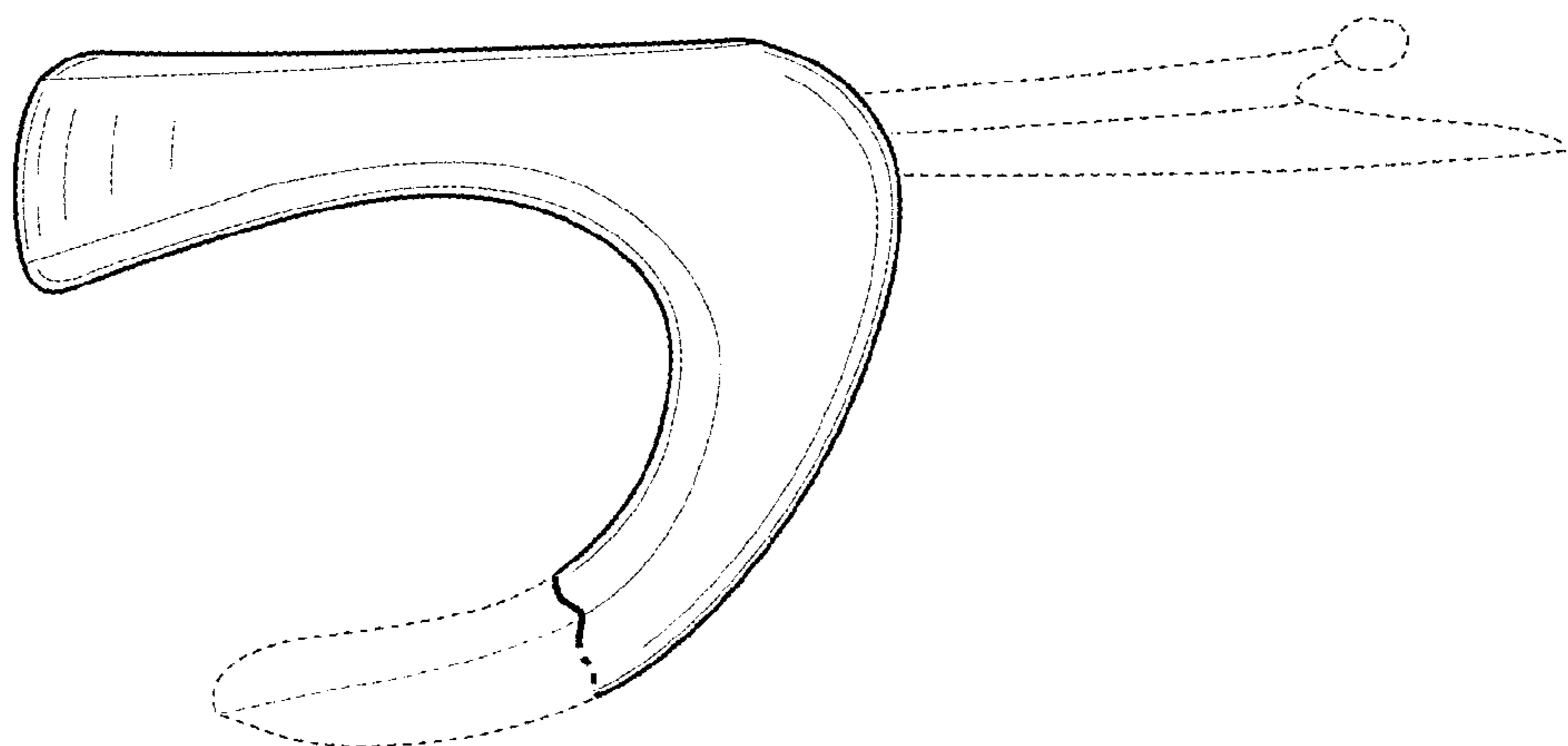


FIG. 4

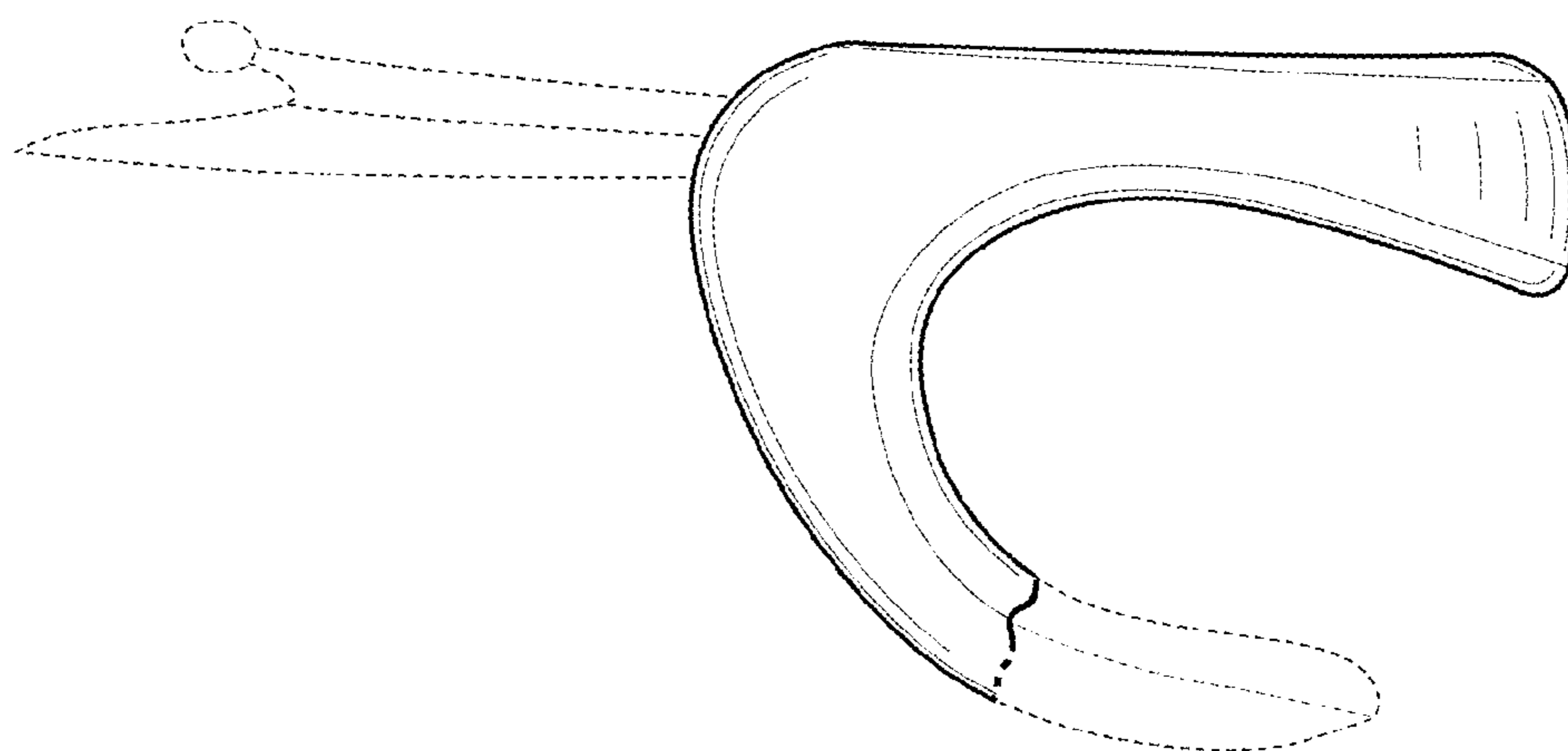


FIG. 5

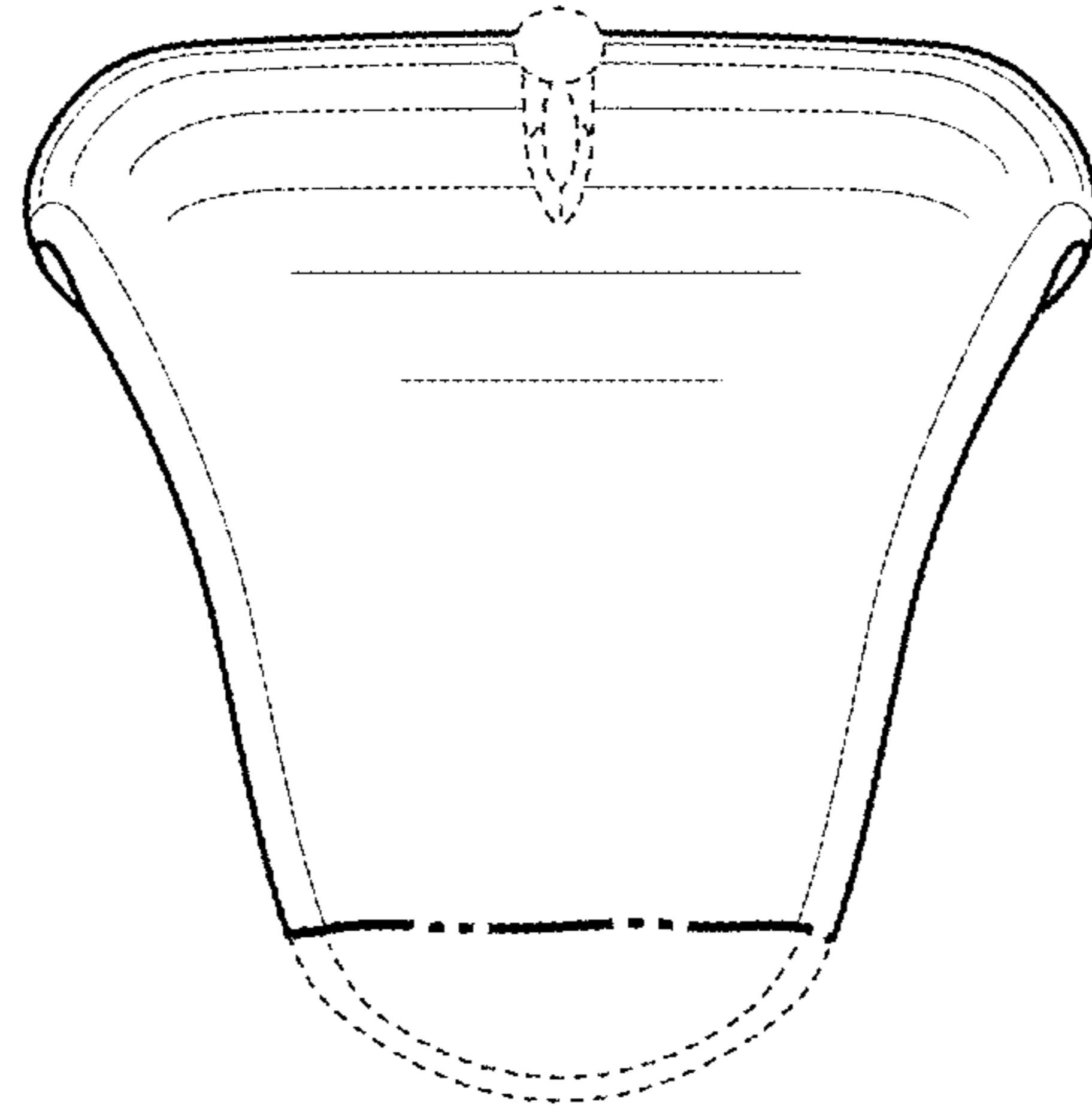


FIG. 6

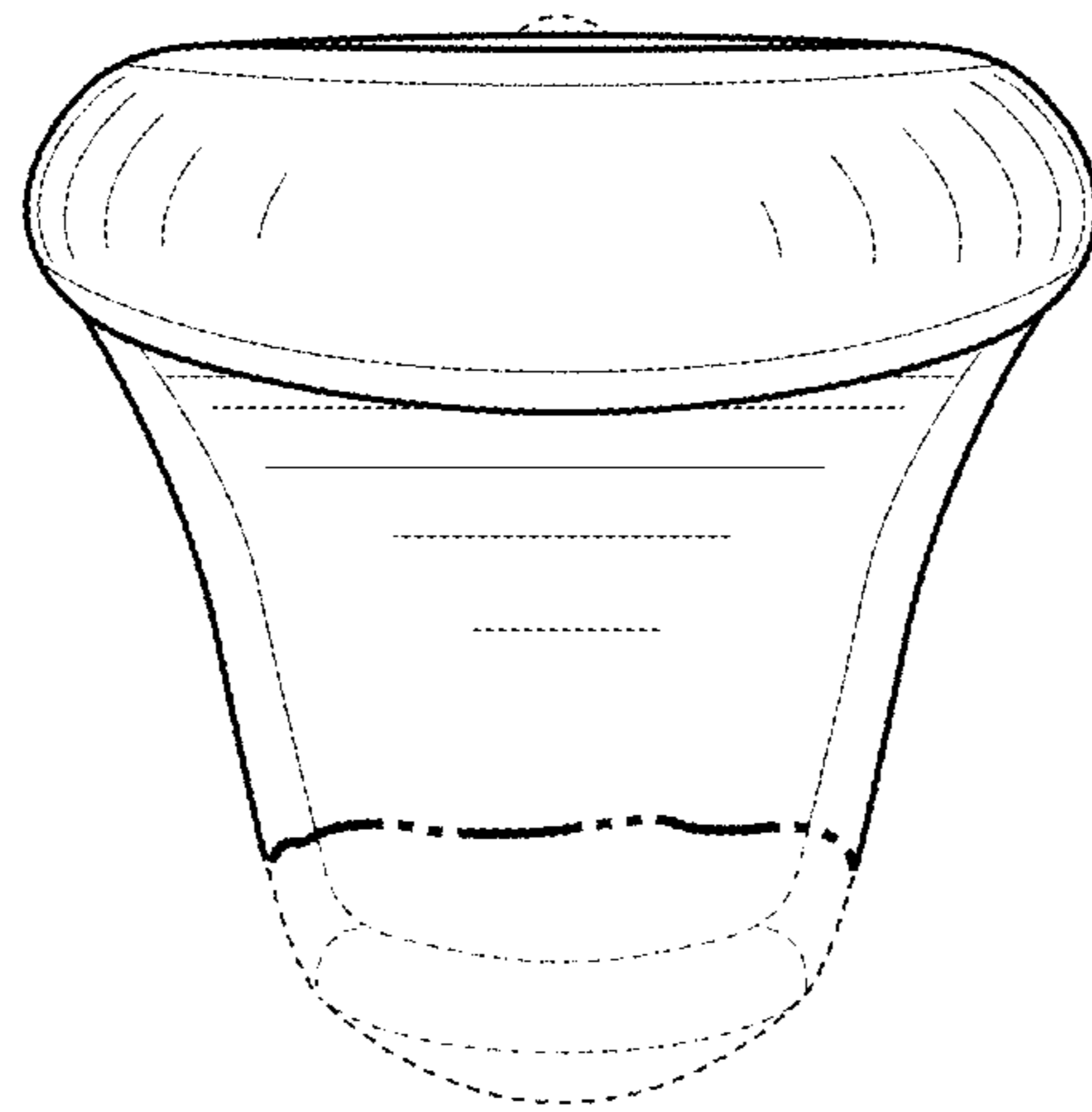


FIG. 7