



US00D934554S

(12) **United States Design Patent**
Chen et al.

(10) **Patent No.:** **US D934,554 S**

(45) **Date of Patent:** **** Nov. 2, 2021**

- (54) **UMBRELLA BASE WEIGHT BAG**
- (71) Applicants: **AKSIMO DISTRIBUTION LTD,**
Kokhav-Ya'ir Tzur-Yigal (IL); **Amiram Kohen,** Yahud Monason (IL)
- (72) Inventors: **Roy Chen,** Bitan-Aharon (IL); **Amiram Kohen,** Yahud Monason (IL)
- (73) Assignees: **Aksimo Distribution Ltd.,**
Kokhav-Ya'ir Tzur-Yigal (IL); **Amiram Kohen,** Yahud Monason (IL)

- D285,883 S * 9/1986 Tegze D3/10
- D286,116 S * 10/1986 Tegze D3/10
- 4,832,163 A * 5/1989 Levesque A45B 3/00
108/14
- 5,169,111 A * 12/1992 Dunaj A45B 25/24
248/523
- 5,452,877 A * 9/1995 Riffle E04H 12/2246
248/511
- 5,899,571 A * 5/1999 Chalk A45B 23/00
383/4
- D447,649 S * 9/2001 Mason D6/708

- (**) Term: **15 Years**
- (21) Appl. No.: **29/680,851**
- (22) Filed: **Feb. 20, 2019**
- (51) **LOC (13) Cl.** **03-03**
- (52) **U.S. Cl.**
USPC **D3/10**
- (58) **Field of Classification Search**
USPC D3/5, 6, 10; D6/708, 708.17, 708.2,
D6/708.21
CPC ... E04H 12/22; E04H 12/2246; A63B 71/023;
A63B 2071/026; Y10S 248/91; A45B
2200/109
See application file for complete search history.

OTHER PUBLICATIONS

New 17" Umbrella Base Weight Bag for Umbrella Stand Safety Outdoor Patio Durable, Garden and Patio Umbrella Stands, ebay.com, <https://www.ebay.com/c/726105205>.*

Primary Examiner — Steven J Czyz
(74) *Attorney, Agent, or Firm* — Amiram Kohen

(57) **CLAIM**

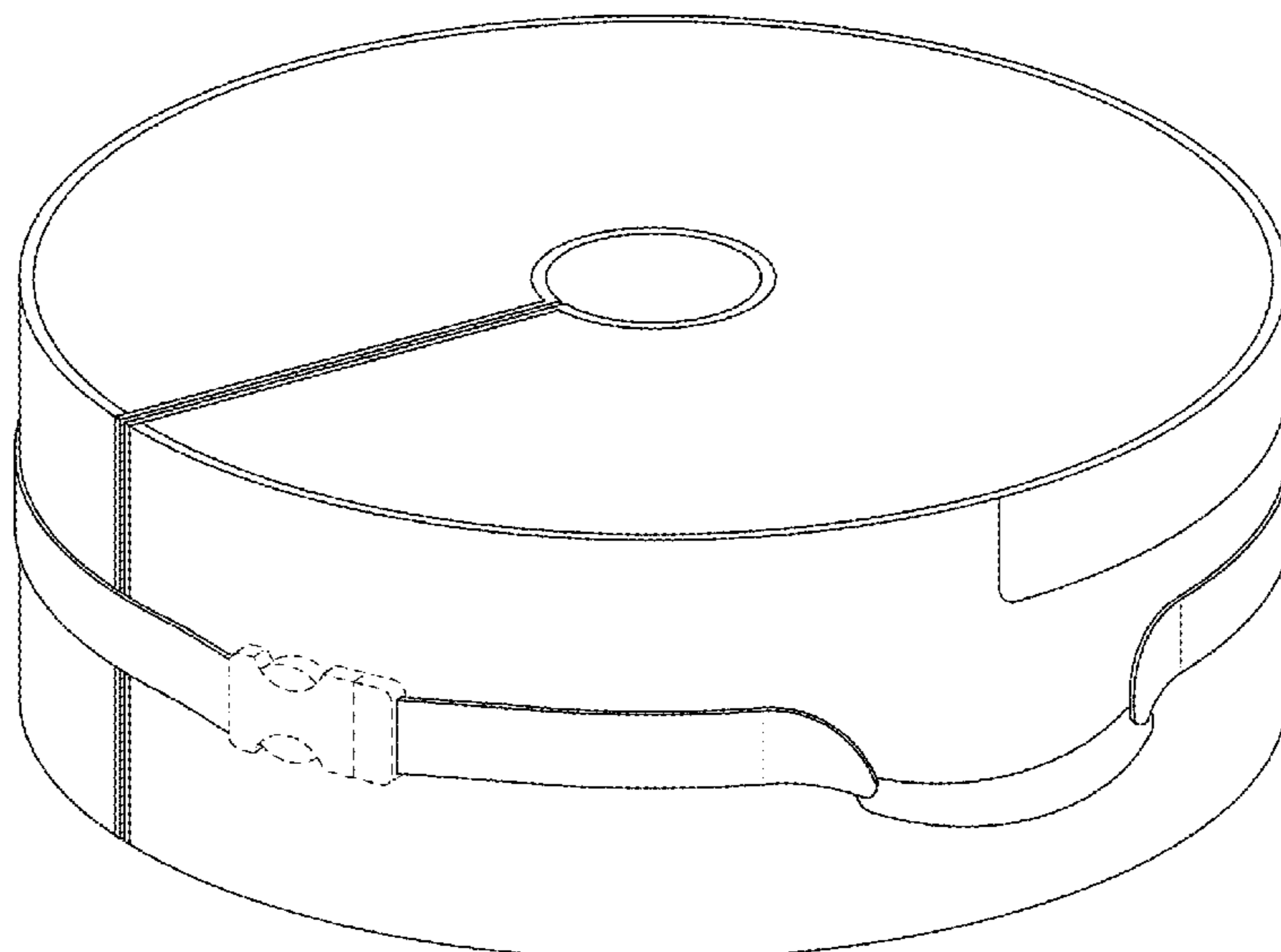
The ornamental design for an umbrella base weight bag, as shown and described.

DESCRIPTION

FIG. 1 is a top perspective view of an umbrella base weight bag, according to the present design; FIG. 2 is a bottom perspective view thereof; FIG. 3 is a right side view thereof, the left side view being a mirror image thereof; FIG. 4 is a back side view thereof; FIG. 5 is a front side view thereof; FIG. 6 is a top plan view thereof; and, FIG. 7 is a bottom plan view thereof. The broken lines depict portions of the article that form no part of the claimed design.

1 Claim, 7 Drawing Sheets

- (56) **References Cited**
U.S. PATENT DOCUMENTS
- 3,216,681 A * 11/1965 Tagliavia E04H 12/2246
248/529
- 3,415,475 A * 12/1968 Goodman F16M 11/22
248/158
- 4,296,693 A * 10/1981 Archer E04H 12/2246
108/28
- 4,486,016 A * 12/1984 Rubin A63B 69/24
482/90
- D281,300 S * 11/1985 Gluck D6/708
- 4,591,126 A * 5/1986 Berney E04H 12/2246
248/524



(56)

References Cited

U.S. PATENT DOCUMENTS

6,328,665 B1 * 12/2001 Gormley E04H 12/2246
108/161
6,554,012 B2 * 4/2003 Patarra A45B 3/00
135/16
D475,995 S * 6/2003 Hsieh D14/229
D481,562 S * 11/2003 Shilling D6/708
D485,055 S * 1/2004 Taylor D3/10
D495,536 S * 9/2004 Lucht D6/708
6,889,953 B2 * 5/2005 Harbaugh E04H 12/2246
135/16
6,986,496 B2 * 1/2006 Roberts E04H 12/2246
248/519
7,216,839 B2 * 5/2007 Xiaoqiu E04H 12/2246
248/346.2
7,249,772 B2 * 7/2007 Bruns B62B 3/00
220/915.2
D568,603 S * 5/2008 Smith D3/10
7,614,600 B1 * 11/2009 Smith G09F 23/00
135/16
D623,845 S * 9/2010 Lintott D3/10
D631,695 S * 2/2011 Sampson D7/501
7,958,670 B2 * 6/2011 Kamau E04H 12/2246
47/66.6
8,047,217 B1 * 11/2011 Schermerhorn, Jr.
E04H 12/2215
135/118
8,556,141 B1 * 10/2013 Ferraiolo A45B 25/22
224/190
8,632,045 B2 * 1/2014 Ma A45B 23/00
248/519
D699,985 S * 2/2014 Roithner D6/675
8,783,274 B1 * 7/2014 Supino A47G 25/12
135/16
8,789,549 B1 * 7/2014 Barnes E04H 15/62
135/118
D720,252 S * 12/2014 Burt D11/144
8,931,749 B2 * 1/2015 Vetesnik A62B 35/0068
248/523
D740,546 S * 10/2015 DeVaney D3/10
D767,312 S * 9/2016 Walser D6/708.17
9,463,850 B2 * 10/2016 Lovett A43B 7/144
9,540,840 B2 * 1/2017 Ma E04H 12/2269
9,803,387 B2 * 10/2017 Groesel E04H 12/2246
9,845,611 B2 * 12/2017 Koerner E04H 12/2246
D817,631 S * 5/2018 Weng D3/10
9,974,369 B1 * 5/2018 DePaolo A45B 23/00
10,017,955 B2 * 7/2018 Ye A45B 11/00
10,054,248 B2 * 8/2018 Louden F21V 21/06
10,087,647 B2 * 10/2018 North E04H 12/2246
10,100,969 B1 * 10/2018 Zhu B62B 5/04
10,151,121 B2 12/2018 North et al.
D855,967 S * 8/2019 Ma D3/10
D860,694 S * 9/2019 Wilke D6/680.2
D866,949 S * 11/2019 Siegenthaler D3/10
10,472,846 B2 11/2019 North et al.
10,487,528 B2 * 11/2019 Pozybill E04H 12/2269
D868,449 S * 12/2019 Siegenthaler E04H 12/2246
D3/10
D869,888 S 12/2019 Iulita
10,508,465 B2 * 12/2019 Pan E04H 12/2246

D876,811 S * 3/2020 Vanderminde D3/10
10,633,882 B2 4/2020 North et al.
D889,111 S * 7/2020 Chaklos E04H 12/2246
D3/10
D919,282 S * 5/2021 Chen E04H 12/2246
D3/10
D919,955 S * 5/2021 Chen F16M 11/22
D3/10
2004/0069922 A1 * 4/2004 Wu E04H 12/2246
248/519
2012/0011773 A1 * 1/2012 Cross A01G 9/0291
47/65.8
2013/0092283 A1 * 4/2013 Votel E04H 12/2246
141/10
2015/0090307 A1 * 4/2015 Supino A45B 3/00
135/15.1
2015/0159394 A1 * 6/2015 Oliveira E04H 12/2246
135/15.1
2015/0320161 A1 * 11/2015 Perry A45B 25/00
248/533
2015/0330613 A1 * 11/2015 Louden F21S 8/085
362/410
2017/0101799 A1 * 4/2017 Koerner A01G 9/04
2017/0130481 A1 * 5/2017 Pozybill E04H 12/2246
2020/0025608 A1 1/2020 Kramer et al.

OTHER PUBLICATIONS

Rhino Round Umbrella Base Weight with Side Slot Opening, 18" ~ Fits Any Offset, Cantilever & Any Outdoor Patio Umbrella Stand, Umbrella Stands and Bases, amazon.com, https://www.amazon.com/dp/B07N2YZXTZ/ref=sspa_dk_detail_0?psc=1&pd_rd_i=B07N2YZXTZ&pd_rd_w=VYcl3&pf_rd_p=48d372c1-f7e1-4b8b-9d02-4bd86f5158c5&pd_rd_w.*
New 17" Umbrella Base Weight Bag for Umbrella Stand Safety Outdoor Patio Durable, Garden and Patio Umbrella STands, Ebay.com, <https://www.ebay.com/c/726105205>, internet source (retrieved Apr. 22, 2020).
Rhino Round Umbrella Base Weight with Side Slot Opening, 18" ~ Fits Any Offset, Cantilever & Any Outdoor Patio Umbrella Stand, Umbrella Stands and Bases, Amazon.com, https://amazon.com/dp/B07N2YZXTZ/ref=sspa_dk_detail_0?psc=1&pd_rd_i=B07N2YZXTZ&pd_rd_w=VY&pf_rd_p=48d372c1-f7e1-4b8b-9d02-4bd86f5158c5&pd_rd_w, internet source (retrieved Apr. 22, 2020).
Square Umbrella Base Sandbags Fit Any Outdoor Patio Umbrella Stand / Easy Up, Umbrella Stands, Ebay.com, https://www.ebay.com/itm/Square-Umbrella-Base-Sandbags-Fit-Any-Outdoor-Patio-Umbrella-Stand-Easy-set-up/303059459311?_trkparms=aid%3D1110002%26algo%3DSPLICE.SOI%26ao%3D1%26asc%3D225086%26meid%3Da65a3076a4e6, internet source (retrieved Apr. 22, 2020).
<https://premier tents.com/product-category/accessories/anchoring-systems/gravipods/>, internet source (retrieved Sep. 8, 2020).
<https://web.archive.org/web/20150204152117/http://shop.premiertents.com:80/Round-Umbrella-Stand-Weightbag-Up-to-50-510928.htm>, Feb. 4, 2015, internet source (retrieved Sep. 8, 2020).
Premier Tents Umbrella Stand Weight Bag, YouTube, <https://www.youtube.com/watch?v=8c4Qn1nHELk>, Sep. 15, 2014, Internet source (retrieved Sep. 8, 2020).

* cited by examiner

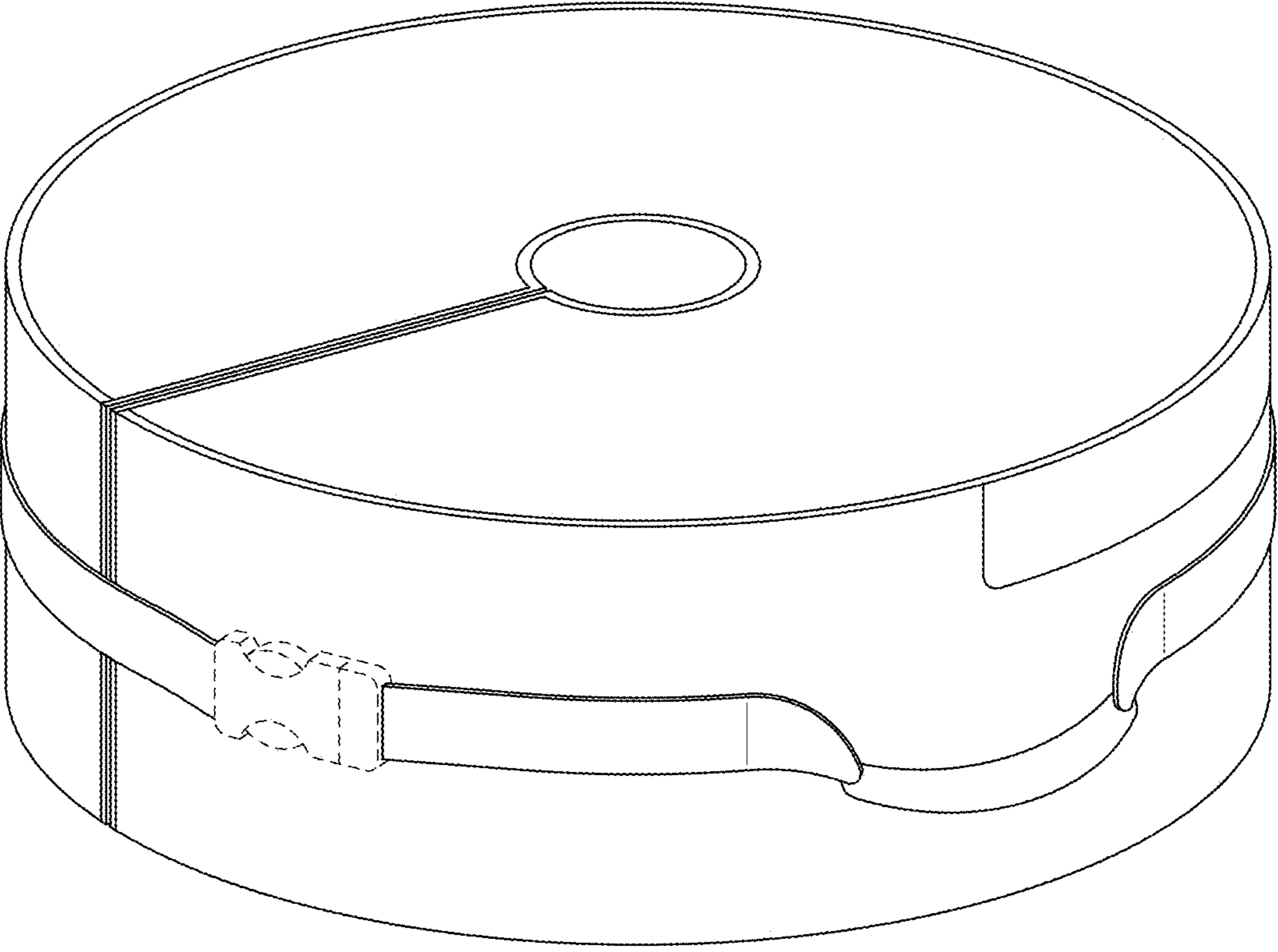


FIG. 1

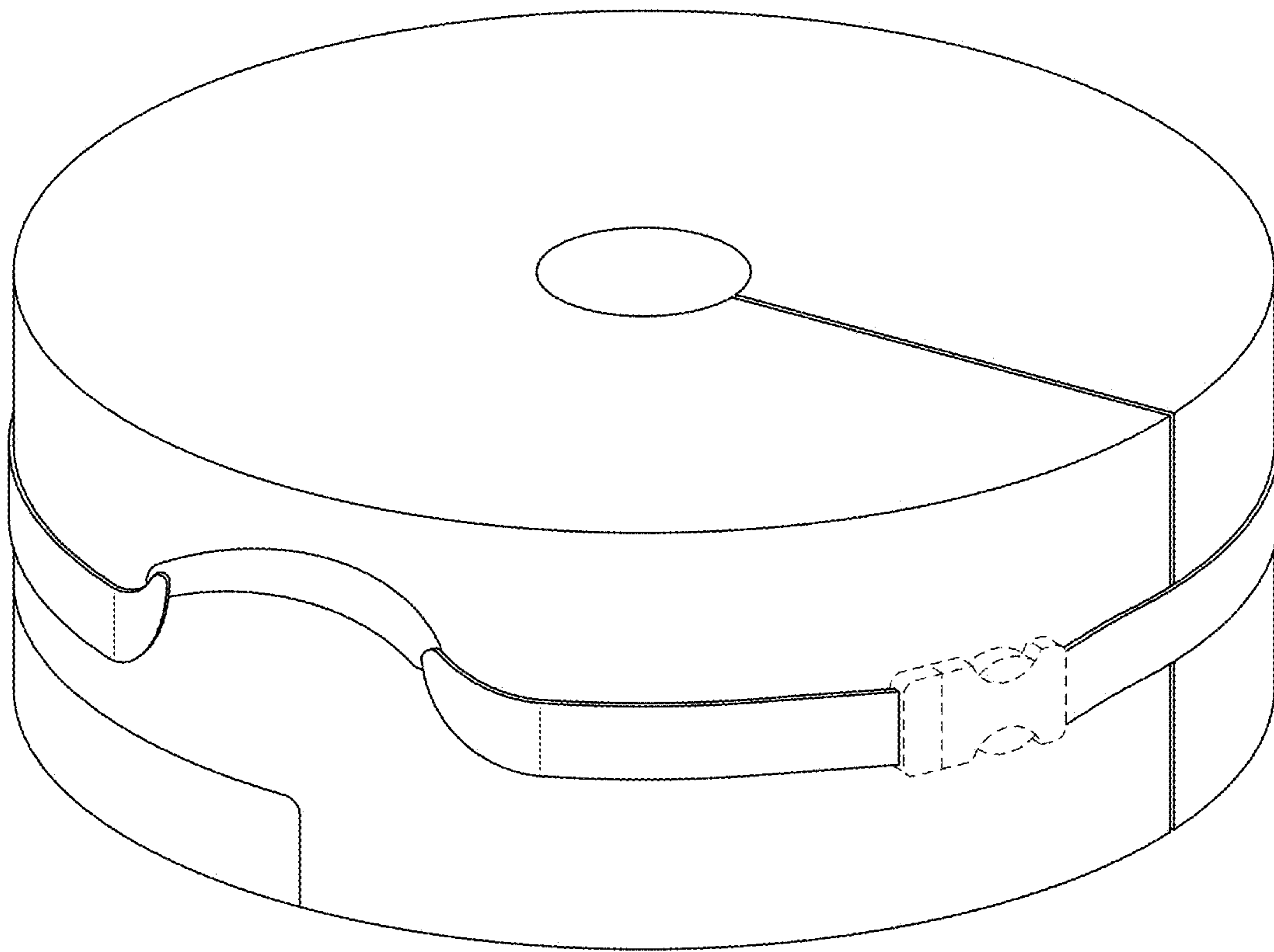


FIG. 2

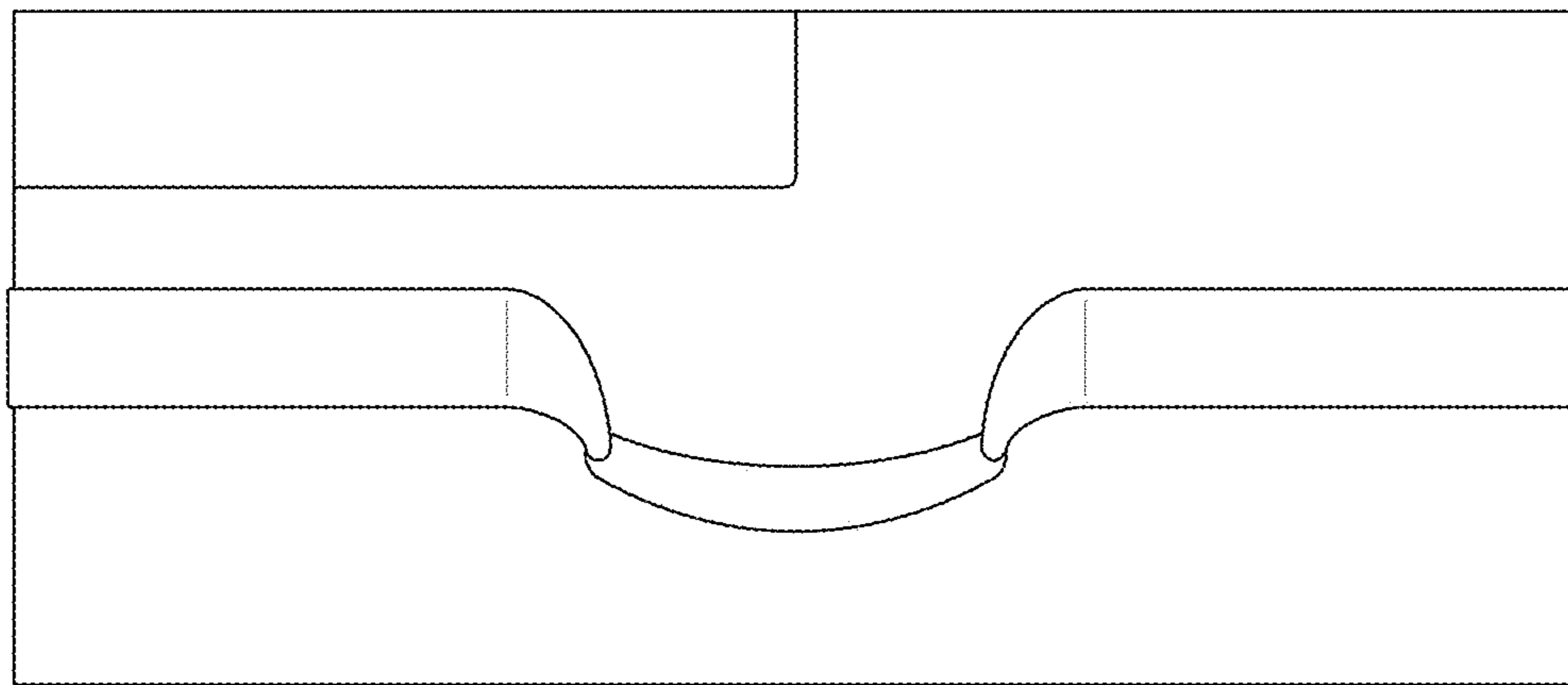


FIG. 3

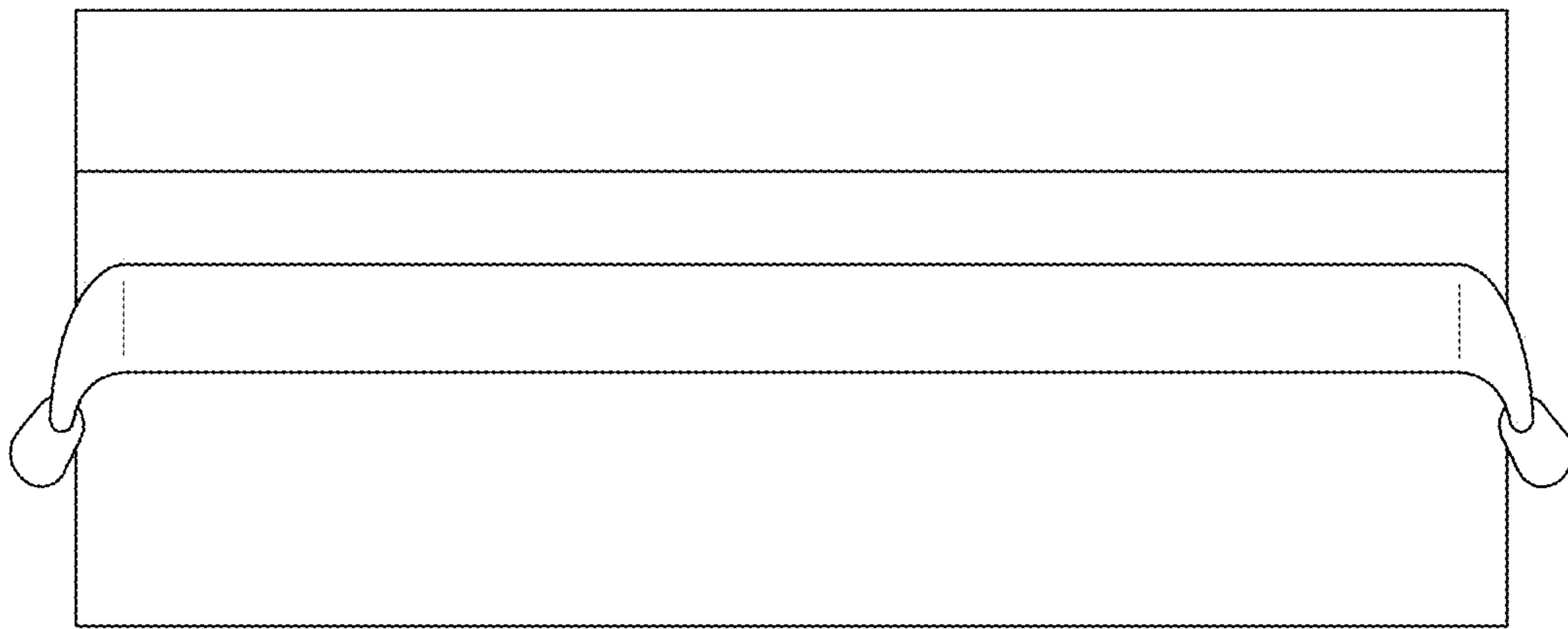


FIG. 4

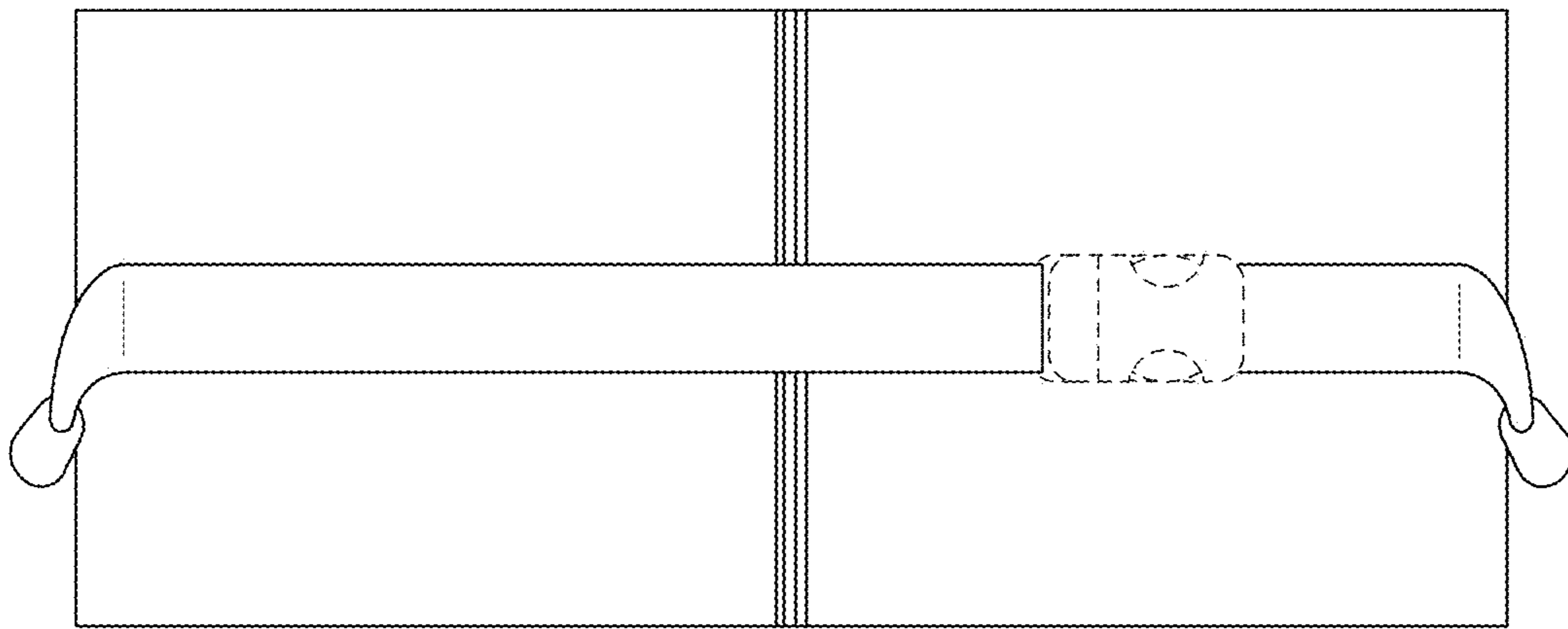


FIG. 5

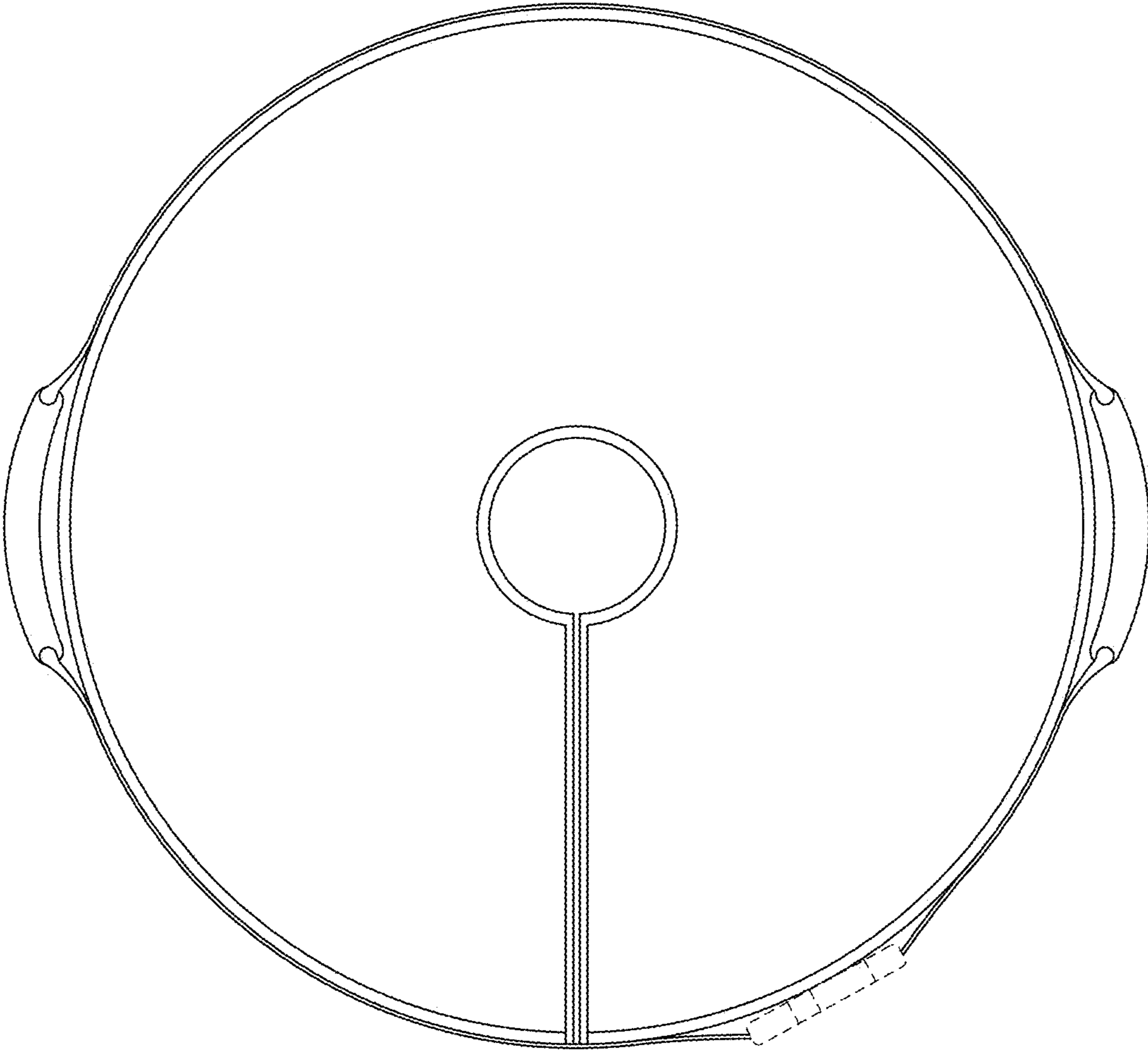


FIG. 6

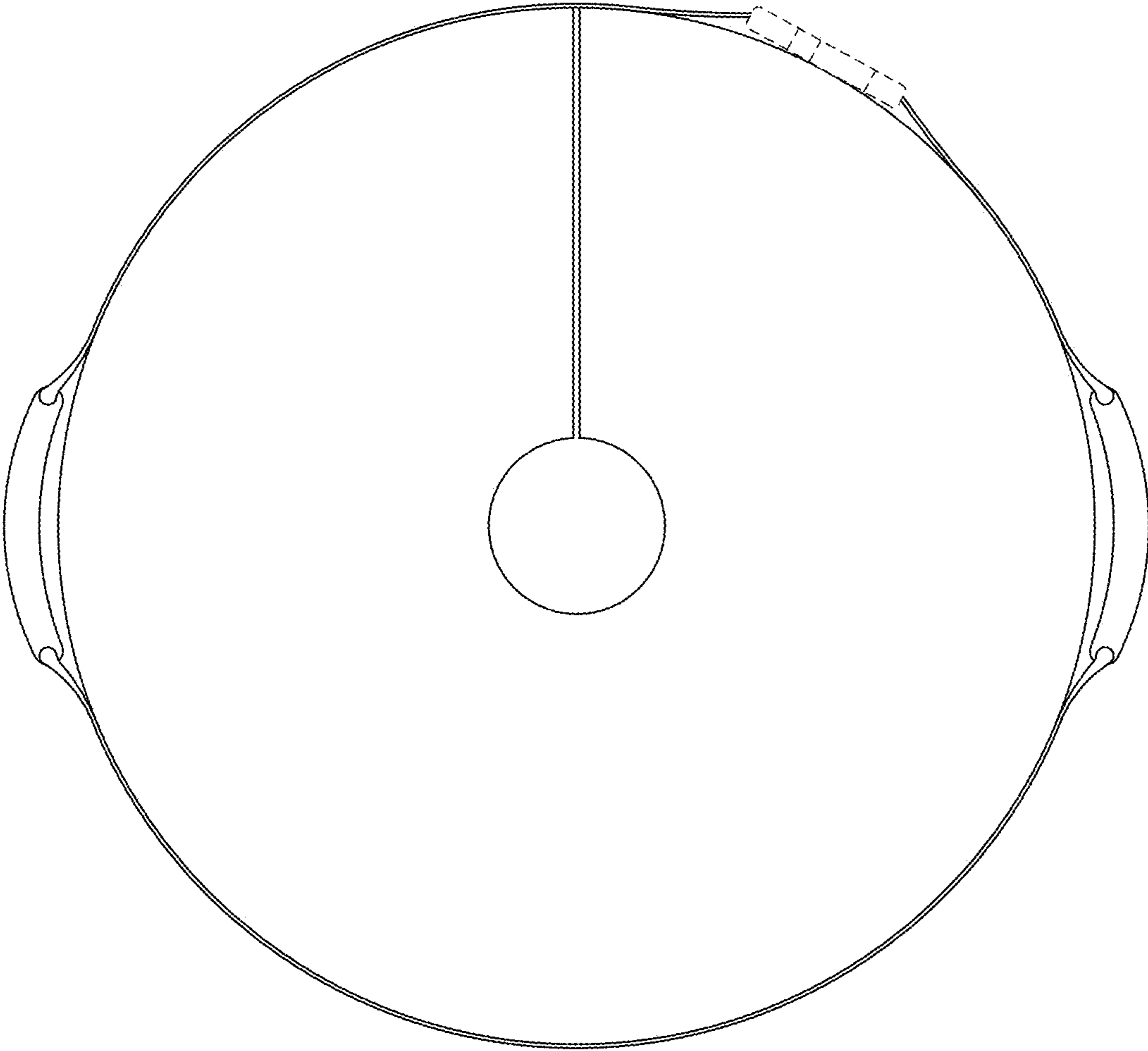


FIG. 7