



US00D934530S

(12) **United States Design Patent**
Zhang

(10) **Patent No.:** **US D934,530 S**

(45) **Date of Patent:** **** Oct. 26, 2021**

(54) **LETTER BOX**

(71) Applicant: **Shenzhen Yueweiyao Electronics Co., Ltd.**, Shenzhen (CN)

(72) Inventor: **Fuhai Zhang**, Shenzhen (CN)

(**) Term: **15 Years**

(21) Appl. No.: **29/760,511**

(22) Filed: **Dec. 2, 2020**

(30) **Foreign Application Priority Data**

Oct. 30, 2020 (EM) 008219927-0001

(51) **LOC (13) Cl.** **99-00**

(52) **U.S. Cl.**
USPC **D99/33**

(58) **Field of Classification Search**

USPC D99/28, 29, 31, 33, 43, 99; 232/1 R,
232/1 A, 1 C, 1 D, 4 R, 17, 19, 20, 21,
232/27, 30, 31, 45

CPC A47G 29/00; A47G 29/08; A47G 29/12;
A47G 29/1201; A47G 29/1203; A47G
29/1207; A47G 29/1209; A47G 29/1218;
A47G 29/122; A45C 5/00; A45C 5/005;
A45C 5/03; A45C 5/04; A45C 2005/032;
A45C 2005/037; A45C 11/16; A45C
11/20; A45C 11/34; A45C 11/36; A45C
1/12

See application file for complete search history.

(56) **References Cited**

U.S. PATENT DOCUMENTS

636,947 A * 11/1899 Bishop A47G 29/1207
232/30
D35,418 S * 12/1901 Witt et al. D3/299
D70,586 S * 7/1926 Swanson D99/33
D73,628 S * 10/1927 Williamson D99/33
D73,739 S * 11/1927 Cowan D99/33
D83,008 S * 1/1931 Reimer D99/33

D84,494 S * 6/1931 Reimer D99/33
D99,000 S * 3/1936 Christie D99/33
D144,631 S * 5/1946 Ocone D99/33

(Continued)

OTHER PUBLICATIONS

DirHome Ancient Castle Locking Wall Mounted Mailbox, <https://www.walmart.com/ip/AdirHome-Ancient-Castle-Locking-Wall-Mounted-Mailbox/343075606>, Jul. 5, 2019 (Year: 2019).*

(Continued)

Primary Examiner — Elizabeth J Oswecki

(57) **CLAIM**

The ornamental design for a letter box, as shown and described.

DESCRIPTION

FIG. 1 is a front and top perspective view of a letter box, showing my new design;

FIG. 2 is a rear and bottom perspective view thereof;

FIG. 3 is a front elevational view thereof;

FIG. 4 is a rear elevational view thereof;

FIG. 5 is a left side elevational view thereof;

FIG. 6 is a right side elevational view thereof;

FIG. 7 is a top plan view thereof;

FIG. 8 is a bottom plan view thereof;

FIG. 9 is an enlarged view of a portion labeled, “FIG. 9” in FIG. 1;

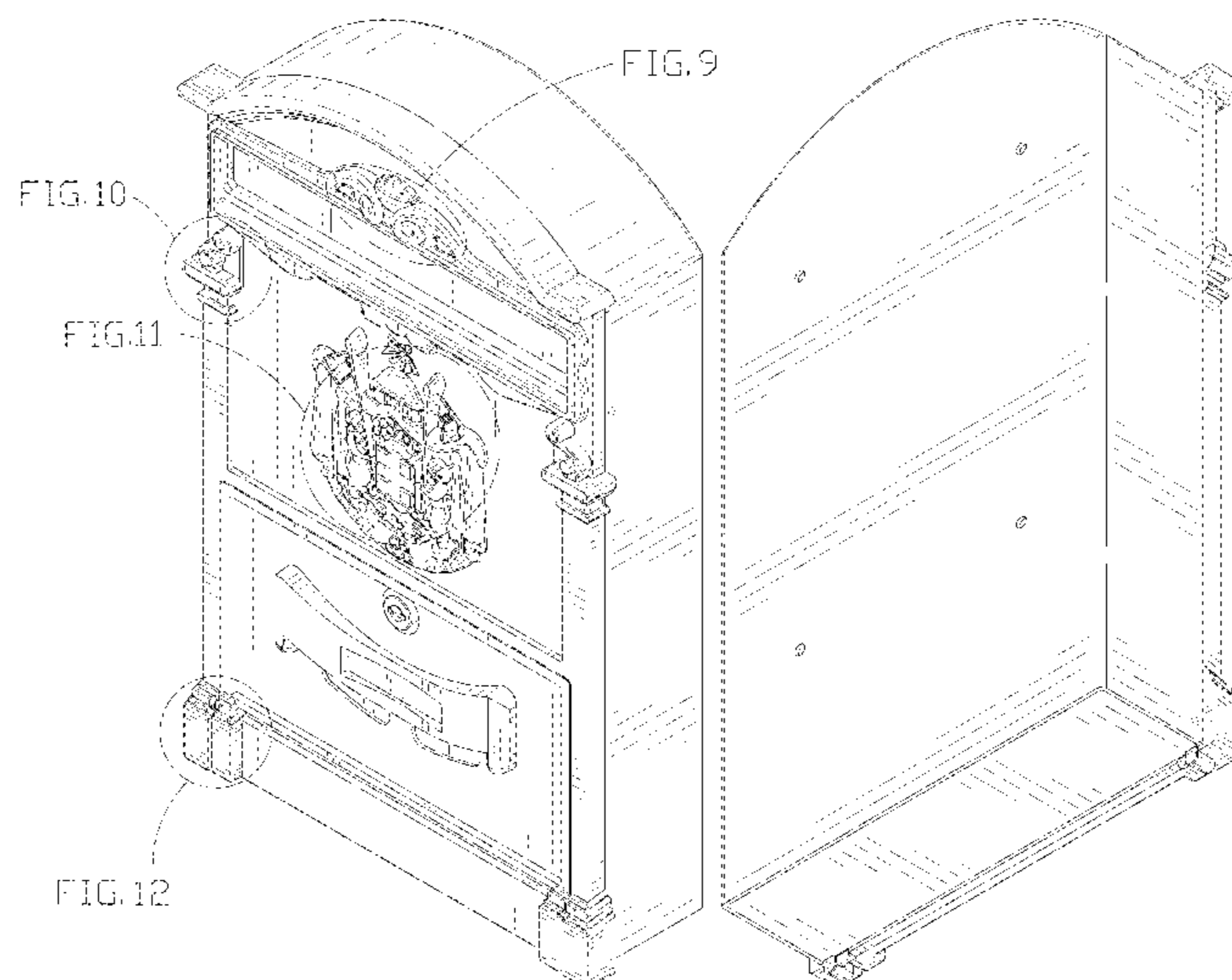
FIG. 10 is an enlarged view of a portion labeled, “FIG. 10” in FIG. 1;

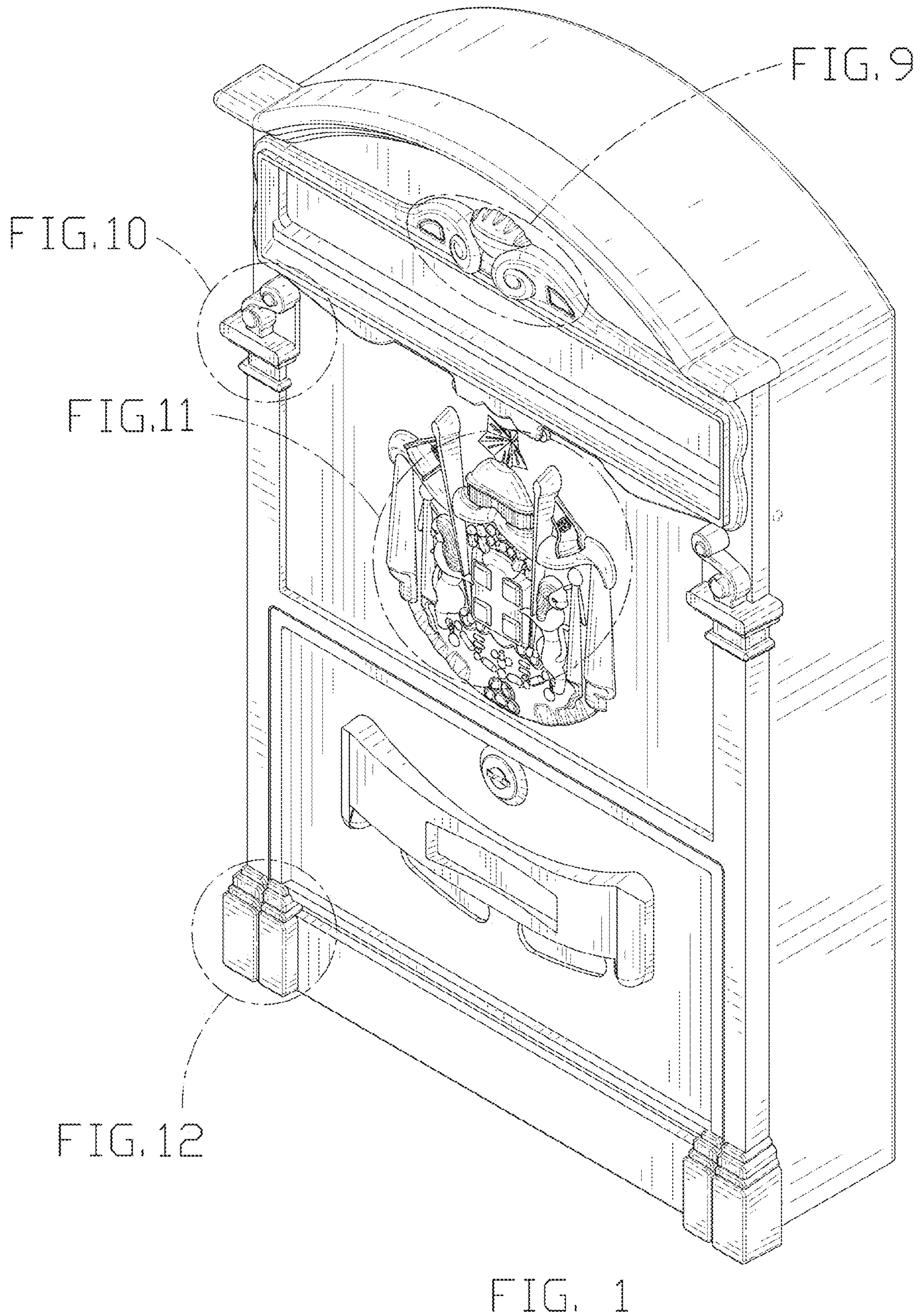
FIG. 11 is an enlarged view of a portion labeled, “FIG. 11” in FIG. 1; and,

FIG. 12 is an enlarged view of a portion labeled, “FIG. 12” in FIG. 1.

The even dashed broken lines in the figures illustrate portions of the article that form no part of the claimed design. The dash-dot dash lines in FIGS. 1, 9, 10, 11 and 12 are for the purpose of depicting the boundary line of the enlarged portion views and form no part of the claim.

1 Claim, 12 Drawing Sheets





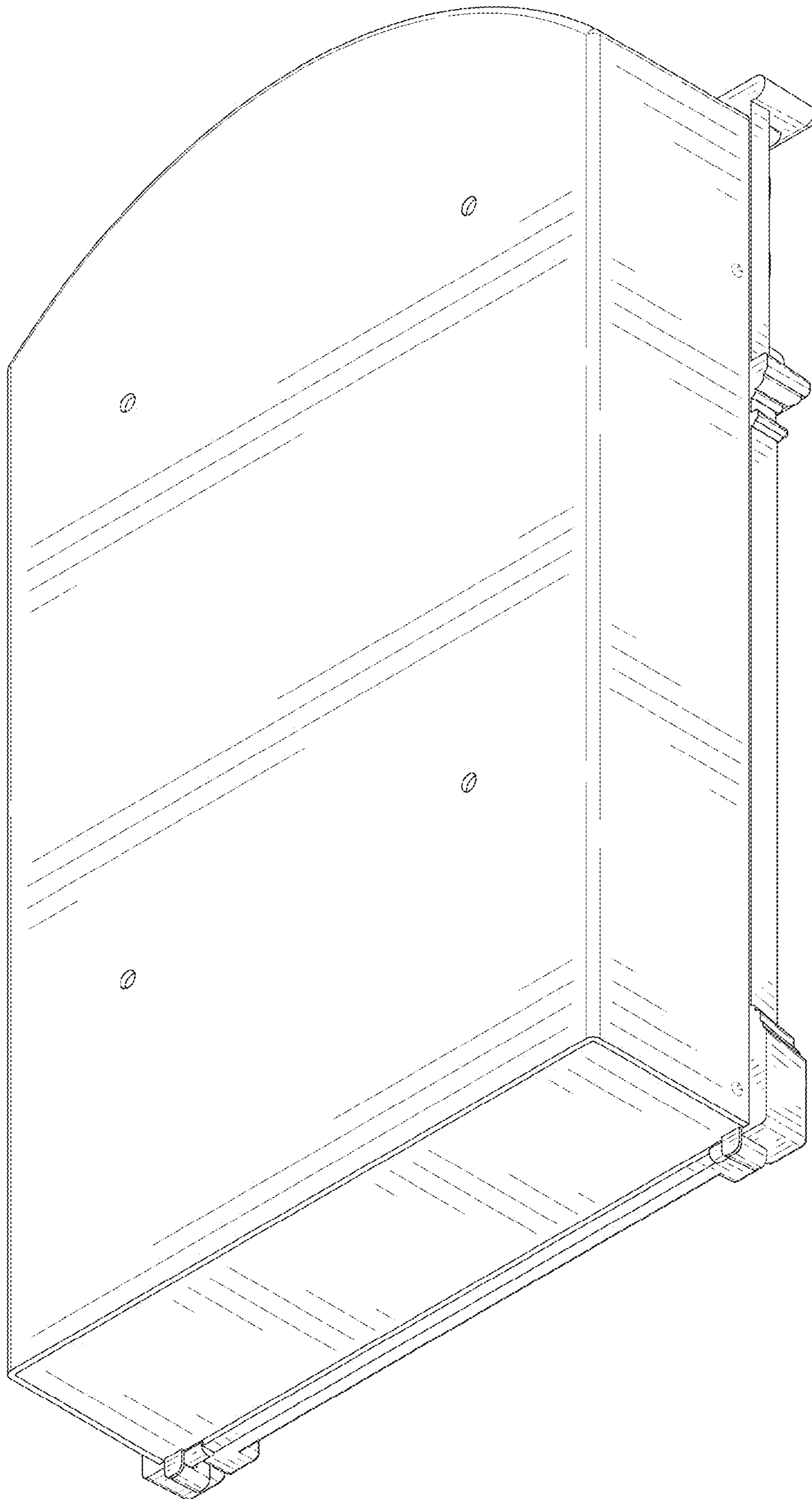


FIG. 2

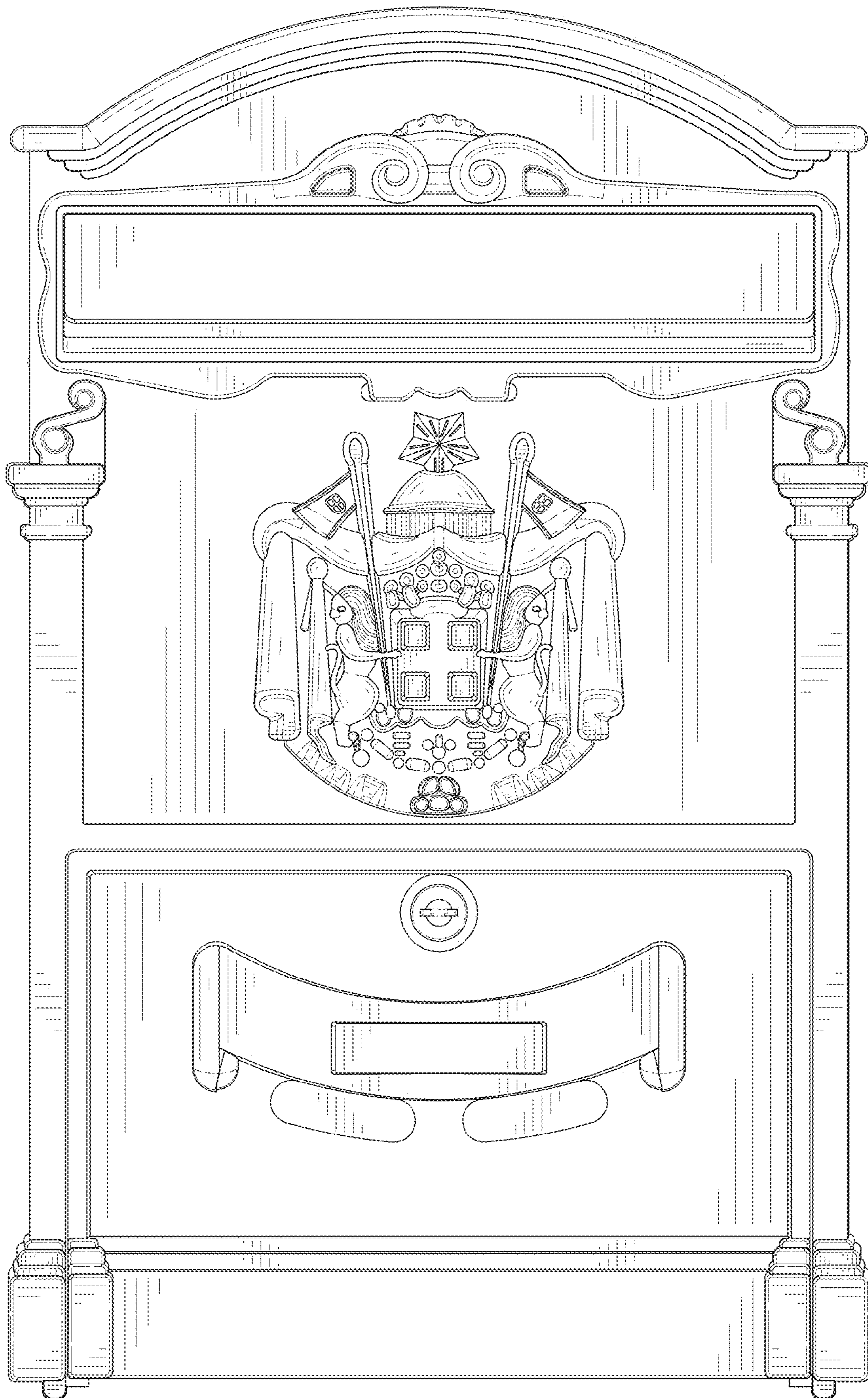


FIG. 3

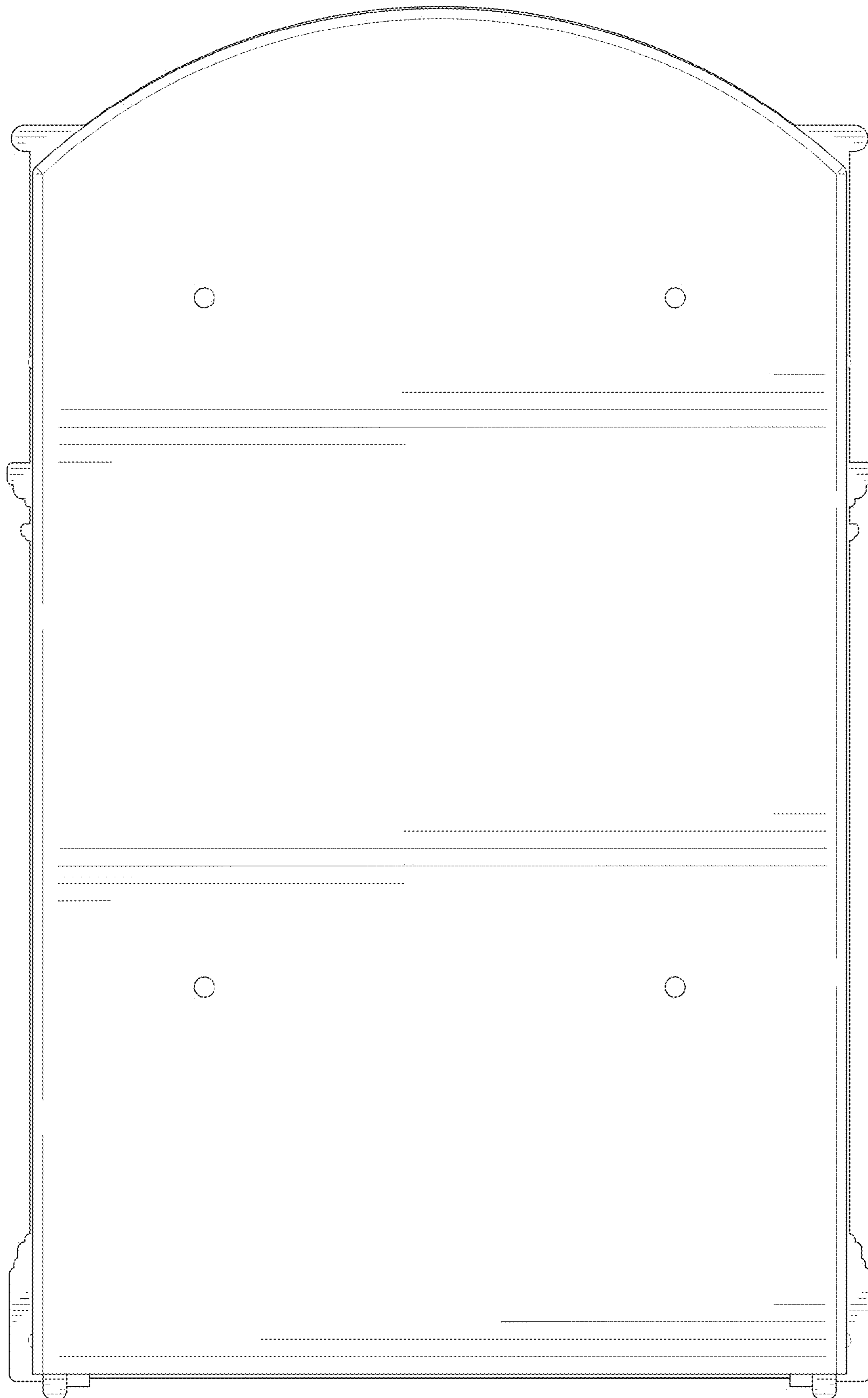


FIG. 4

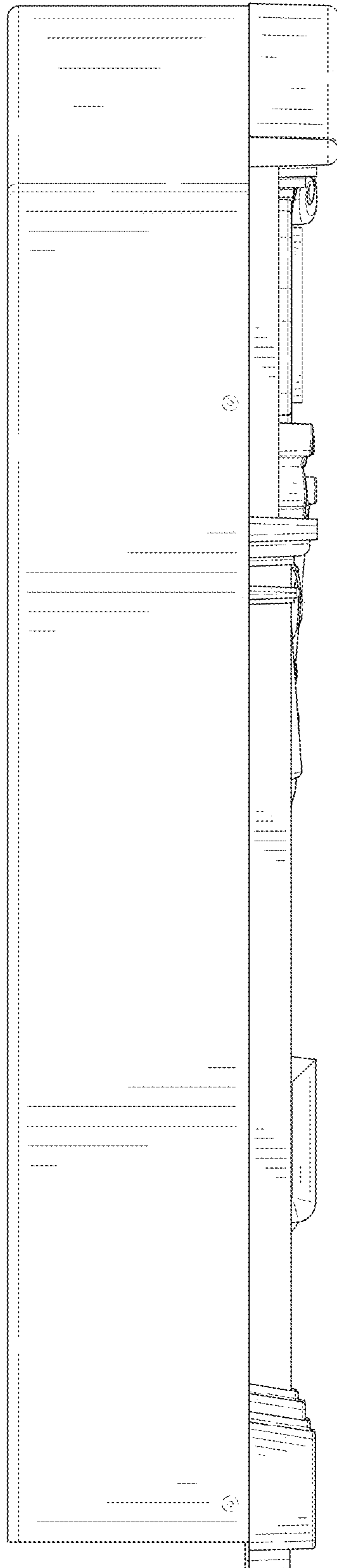


FIG. 5

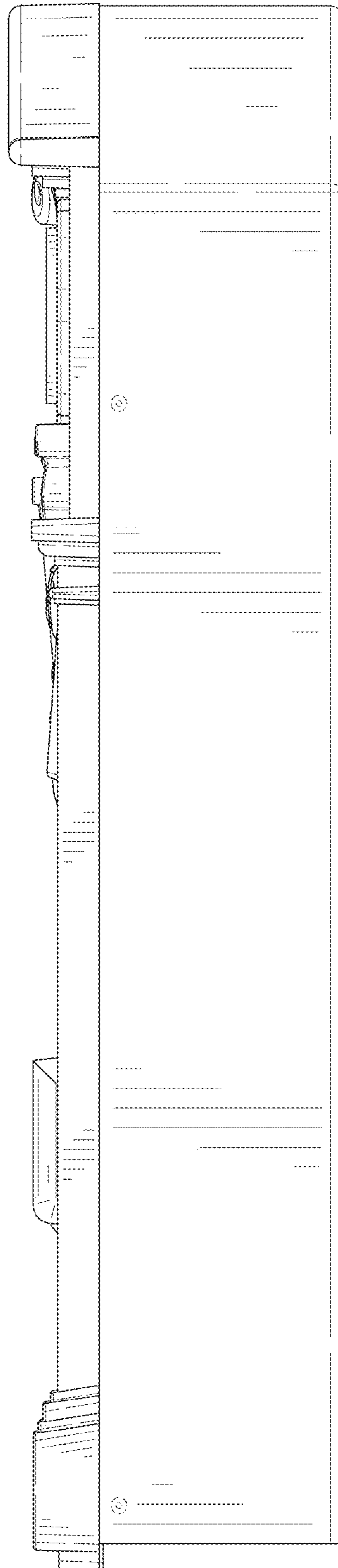


FIG. 6

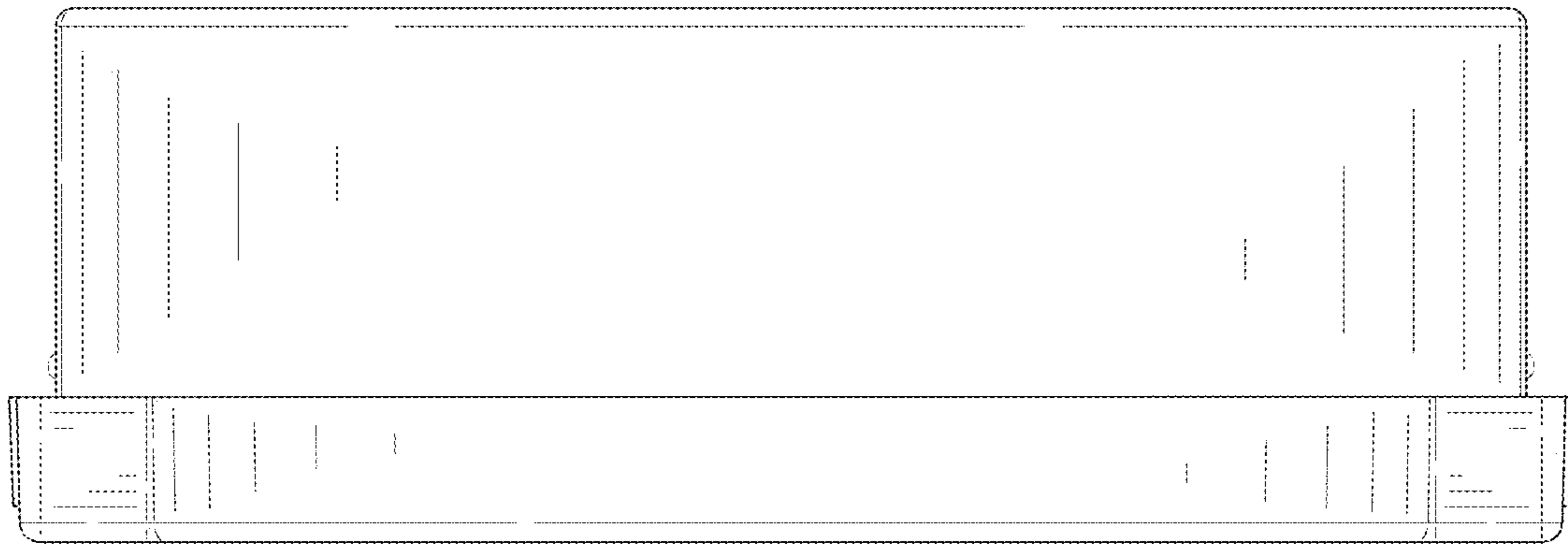


FIG. 7

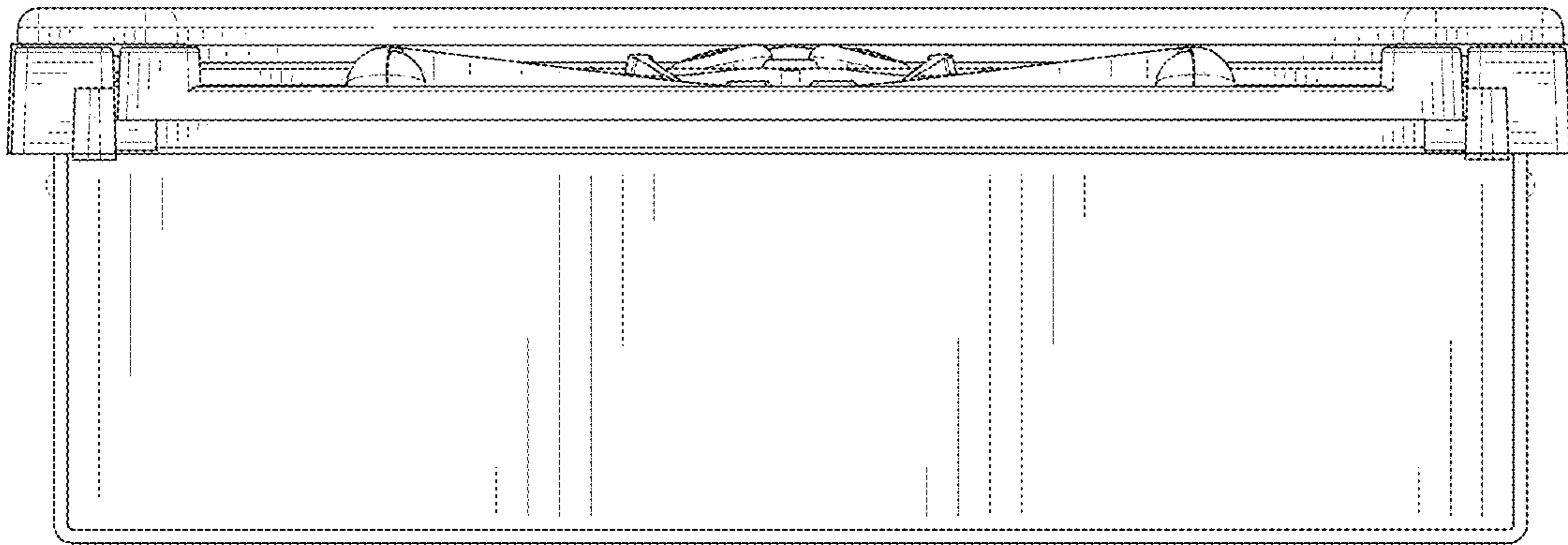


FIG. 8

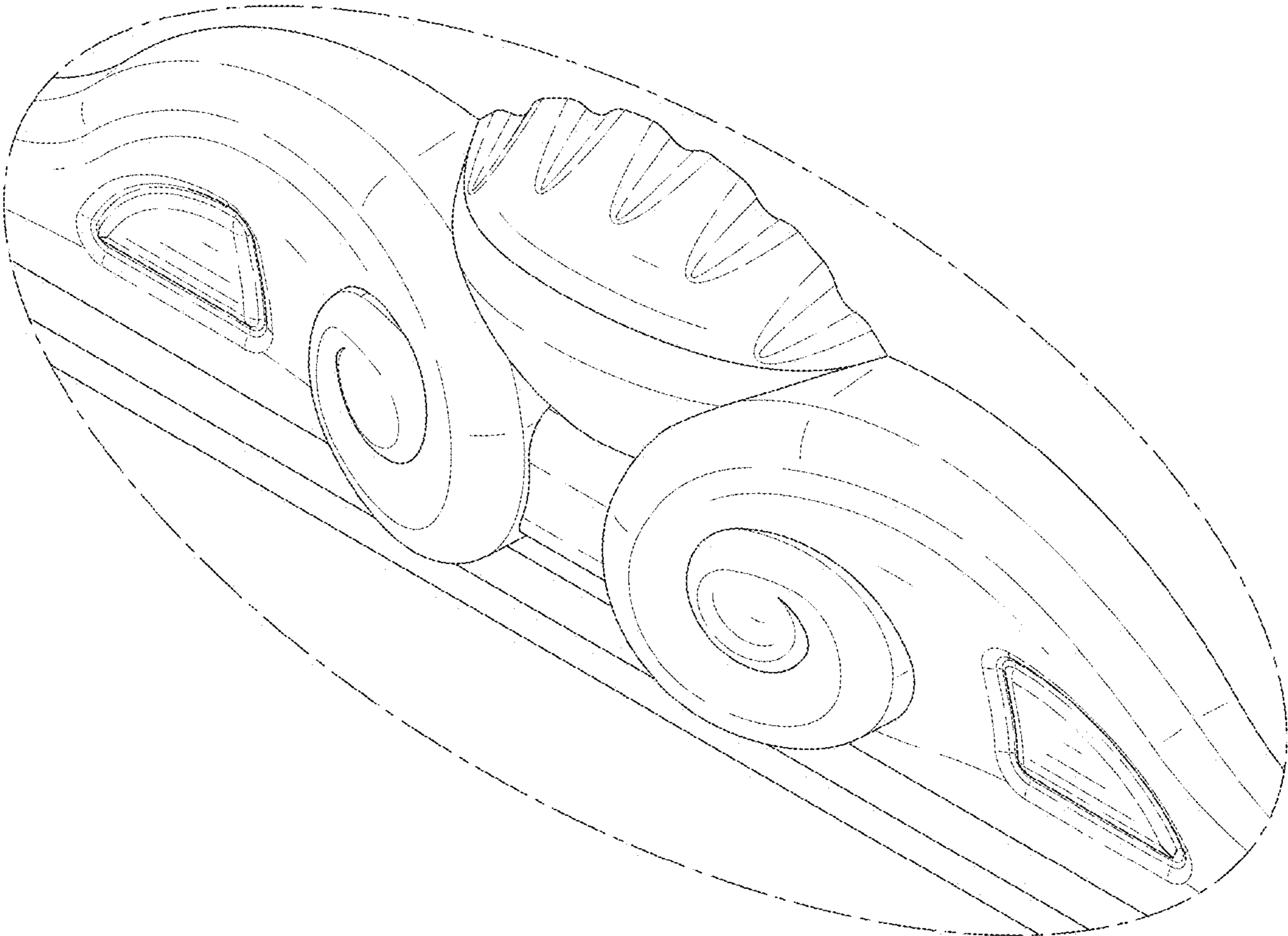


FIG. 9

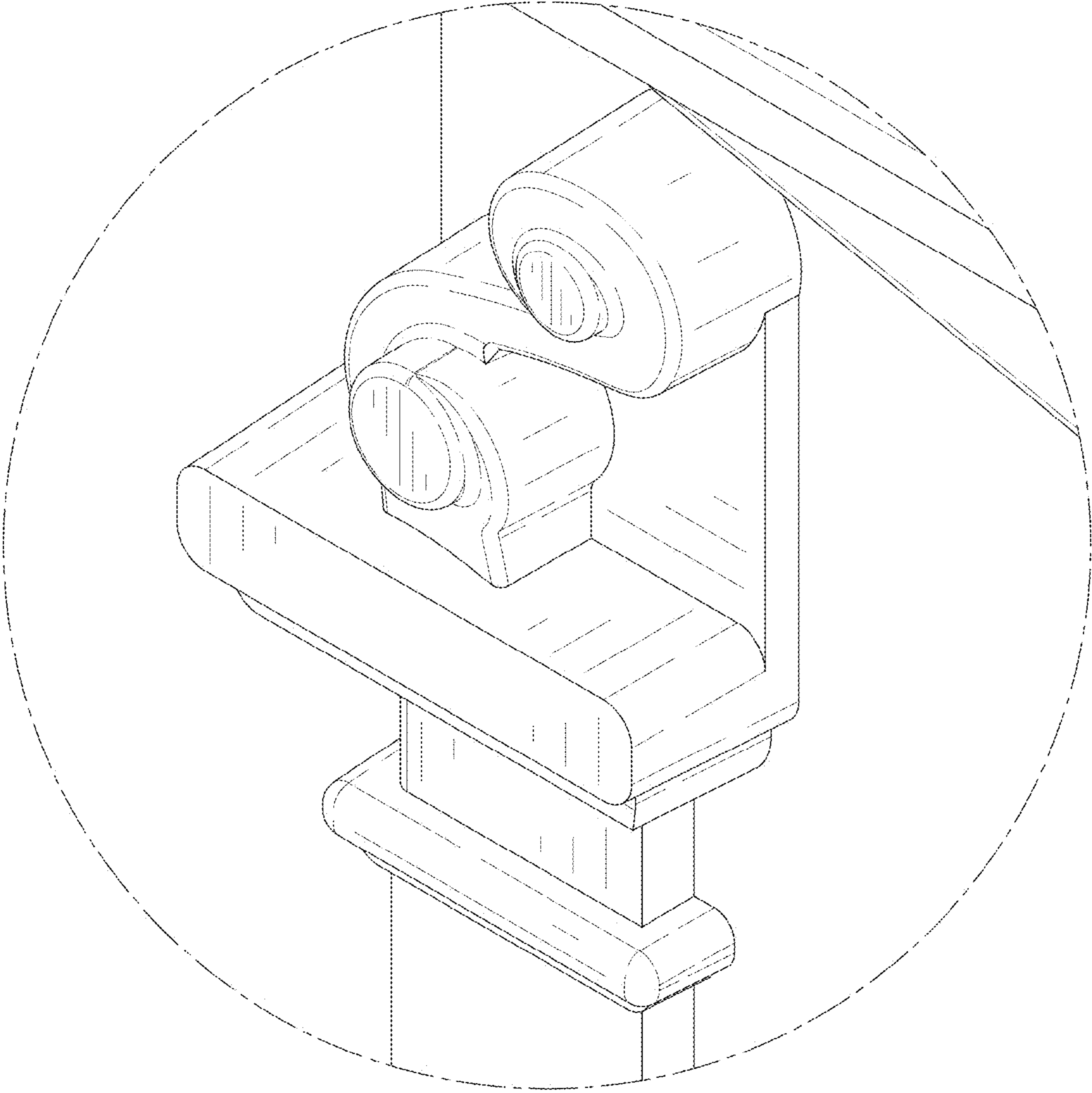


FIG. 10



FIG. 11

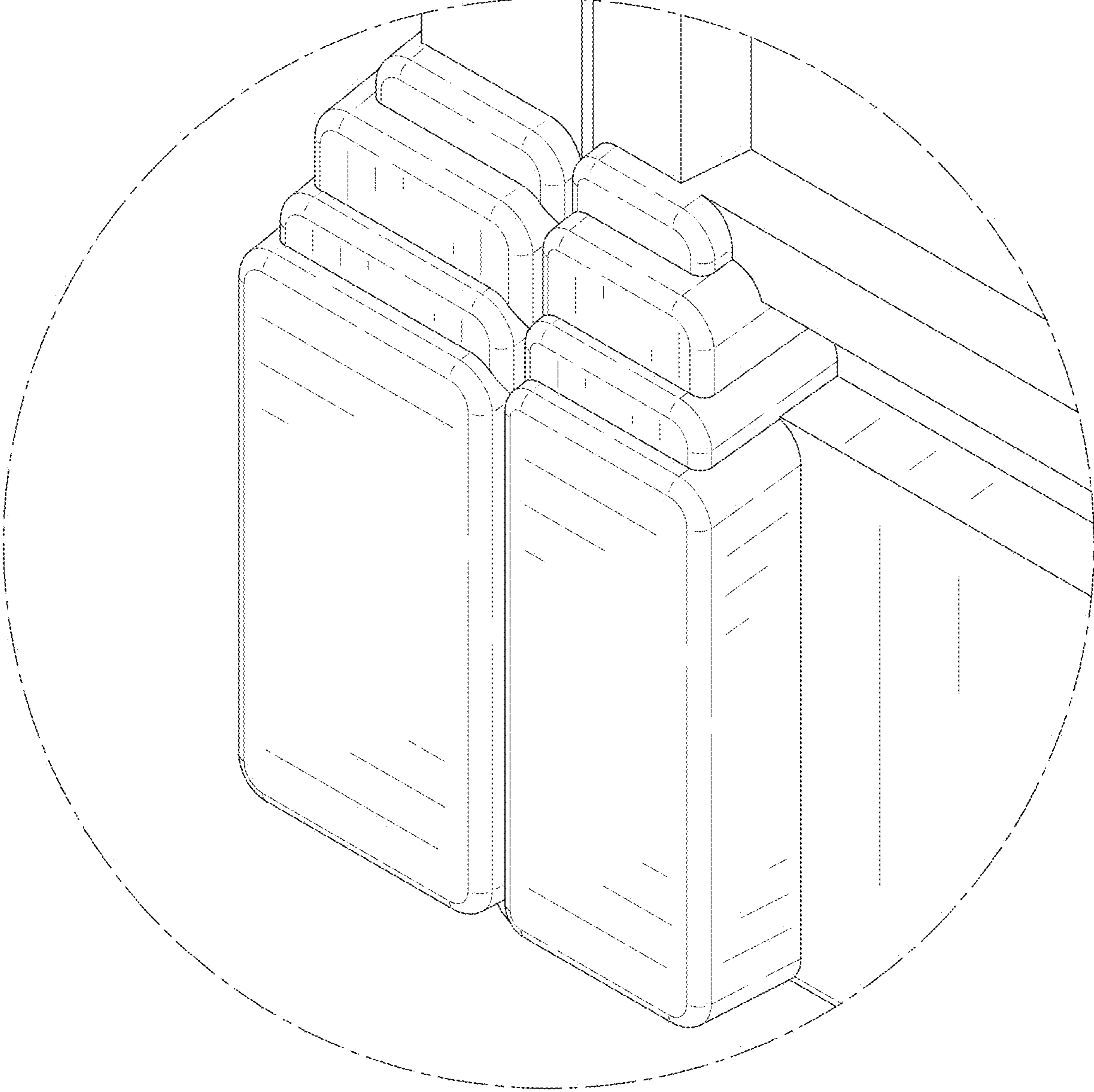


FIG. 12