



US00D934529S

(12) **United States Design Patent**
Smiley et al.

(10) **Patent No.:** **US D934,529 S**
(45) **Date of Patent:** **** Oct. 26, 2021**

(54) **VEHICLE COVER**

(71) Applicant: **The Raymond Corporation**, Greene, NY (US)

(72) Inventors: **Gregory W. Smiley**, Greene, NY (US);
H. Scott Ryan, Skaneateles, NY (US)

(73) Assignee: **The Raymond Corporation**, Greene, NY (US)

(**) Term: **15 Years**

(21) Appl. No.: **29/757,589**

(22) Filed: **Nov. 6, 2020**

D538,503 S	3/2007	Ryan
D640,613 S	6/2011	Bauer
D760,132 S	6/2016	Choi
D775,560 S	1/2017	Choi
D784,867 S	4/2017	Sahara
D798,204 S	9/2017	Mainville
D817,826 S	5/2018	Seo
D822,550 S	7/2018	Wassel
D845,190 S	4/2019	Zipfel
D847,707 S	5/2019	Park Cheng
D848,318 S	5/2019	McMahan
D849,629 S	5/2019	De Leon
D849,630 S	5/2019	De Leon
D850,333 S	6/2019	Lee
D851,558 S	6/2019	Thurber
D858,377 S	9/2019	Riggs
D859,238 S	9/2019	Smith
D866,418 S	11/2019	Peplowski
D866,420 S	11/2019	Takamatsu

(Continued)

Related U.S. Application Data

(62) Division of application No. 29/686,882, filed on Apr. 8, 2019, now Pat. No. Des. 905,372.

(51) **LOC (13) Cl.** **12-05**

(52) **U.S. Cl.**
USPC **D34/35; D12/400**

(58) **Field of Classification Search**
USPC D12/169, 86–92, 163–172; 293/102–155;
296/35.2, 193.09, 193.1, 203.02; D34/28,
D34/35, 34, 37; 180/89.12, 315, 299;
187/222, 224; 414/685, 679, 294;
280/43.12
CPC B60R 19/02; B60R 19/023; B60R 19/18;
B60R 19/24; B60R 19/44; B60R 19/48;
B60R 19/56; B60R 2019/527; B60R
2019/1886

See application file for complete search history.

(56) **References Cited**

U.S. PATENT DOCUMENTS

D499,855 S 12/2004 Ryan
D509,040 S 8/2005 Ryan

Primary Examiner — T Chase Nelson

Assistant Examiner — Jonathan J Han

(74) *Attorney, Agent, or Firm* — Quarles & Brady LLP

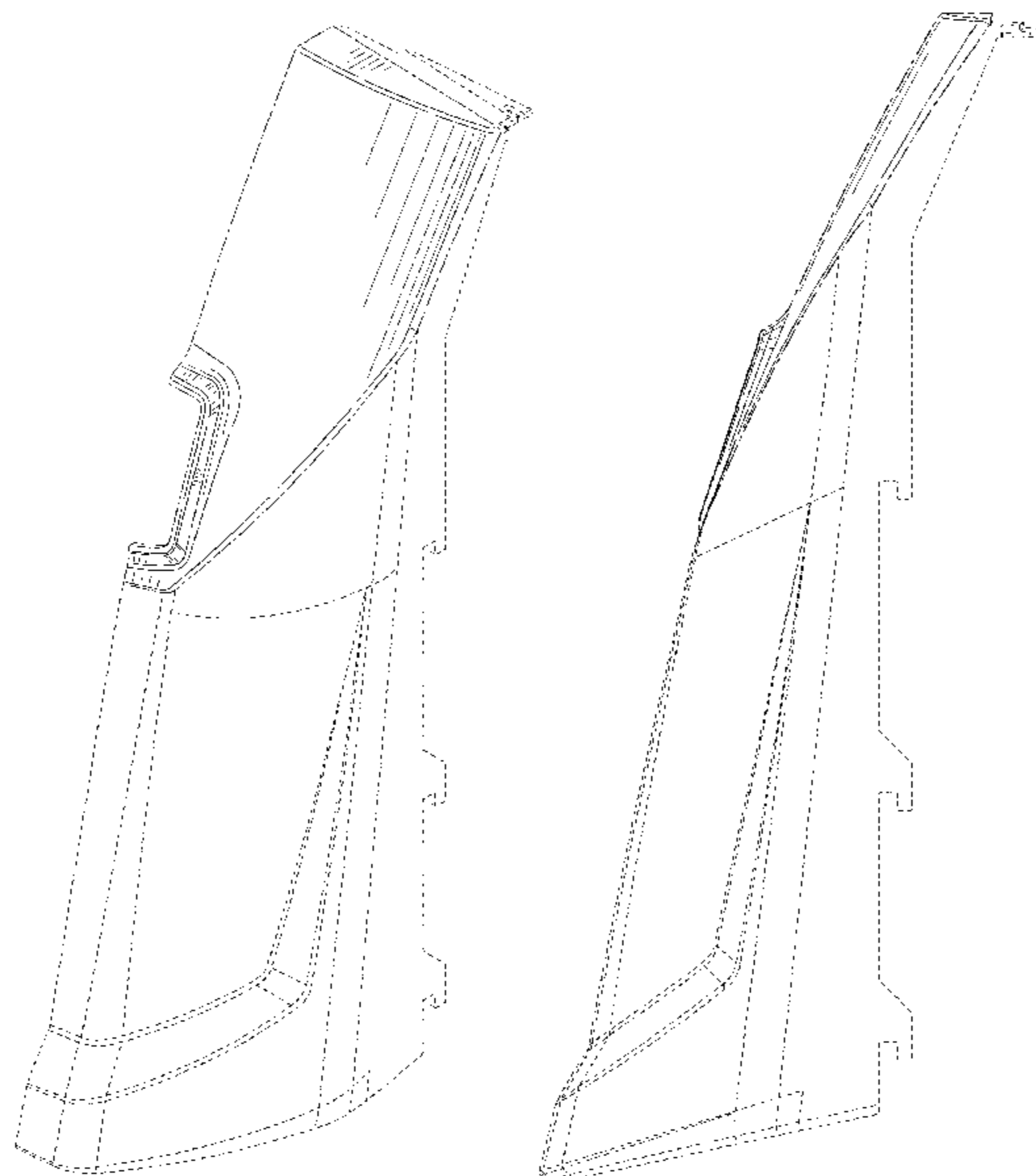
(57) **CLAIM**

The ornamental design for a vehicle cover, as shown and described.

DESCRIPTION

FIG. 1 is a top, right, and front isometric view of the ornamental design for a vehicle cover;
FIG. 2 is a right side elevational view of the vehicle cover of FIG. 1;
FIG. 3 is a front elevational view of the vehicle cover of FIG. 1; and,
FIG. 4 is a top plan view of the vehicle cover of FIG. 1.
The dash-dash-dash lines are included for the purpose of illustrating portions of the vehicle cover that form no part of the claimed design. The dash-dot-dash broken lines depict boundary lines and form no part of the claimed design.

1 Claim, 4 Drawing Sheets



(56)

References Cited

U.S. PATENT DOCUMENTS

D868,660 S 12/2019 De Leon
 D877,001 S 3/2020 Izard
 D877,669 S 3/2020 Lee
 D879,681 S * 3/2020 Melville-Brown D12/169
 D881,084 S 4/2020 Watanuki
 D881,087 S 4/2020 Luke
 D881,088 S 4/2020 Davidson
 D885,265 S 5/2020 Zipfel
 D885,266 S 5/2020 Kezha
 D886,011 S 6/2020 Metros
 D887,324 S 6/2020 Baum
 D887,325 S * 6/2020 Kezha D12/169
 D887,914 S 6/2020 Utsunomiya
 D888,635 S 6/2020 Zipfel
 D890,651 S * 7/2020 Peplowski D12/169
 D891,321 S * 7/2020 Woodhouse D12/169
 D892,004 S * 8/2020 Li D12/169
 D893,366 S * 8/2020 Dewitt D12/169

D893,367 S * 8/2020 Kim D12/169
 D894,803 S * 9/2020 DiCanzio D12/169
 D904,944 S * 12/2020 Higurashi D12/169
 D905,372 S * 12/2020 Smiley D34/35
 D906,906 S * 1/2021 Bae D12/169
 D911,888 S * 3/2021 Bae D12/169
 D913,872 S * 3/2021 Murakami D12/169
 D913,873 S * 3/2021 Murakami D12/169
 D915,957 S * 4/2021 Bischoff D12/169
 D915,958 S * 4/2021 Lee D12/169
 D916,631 S * 4/2021 Beaven D12/169
 D917,353 S * 4/2021 Lee D12/169
 D919,501 S * 5/2021 Gay D12/169
 D919,504 S * 5/2021 Schmeckpeper D12/169
 D919,512 S * 5/2021 Zhao D12/169
 D919,513 S * 5/2021 Zhao D12/169
 D919,517 S * 5/2021 Chi D12/171
 D920,190 S * 5/2021 Piaskowski D12/169
 D920,191 S * 5/2021 Lee D12/169
 D920,859 S * 6/2021 Buller D12/169
 D920,866 S * 6/2021 Bennett D12/184

* cited by examiner

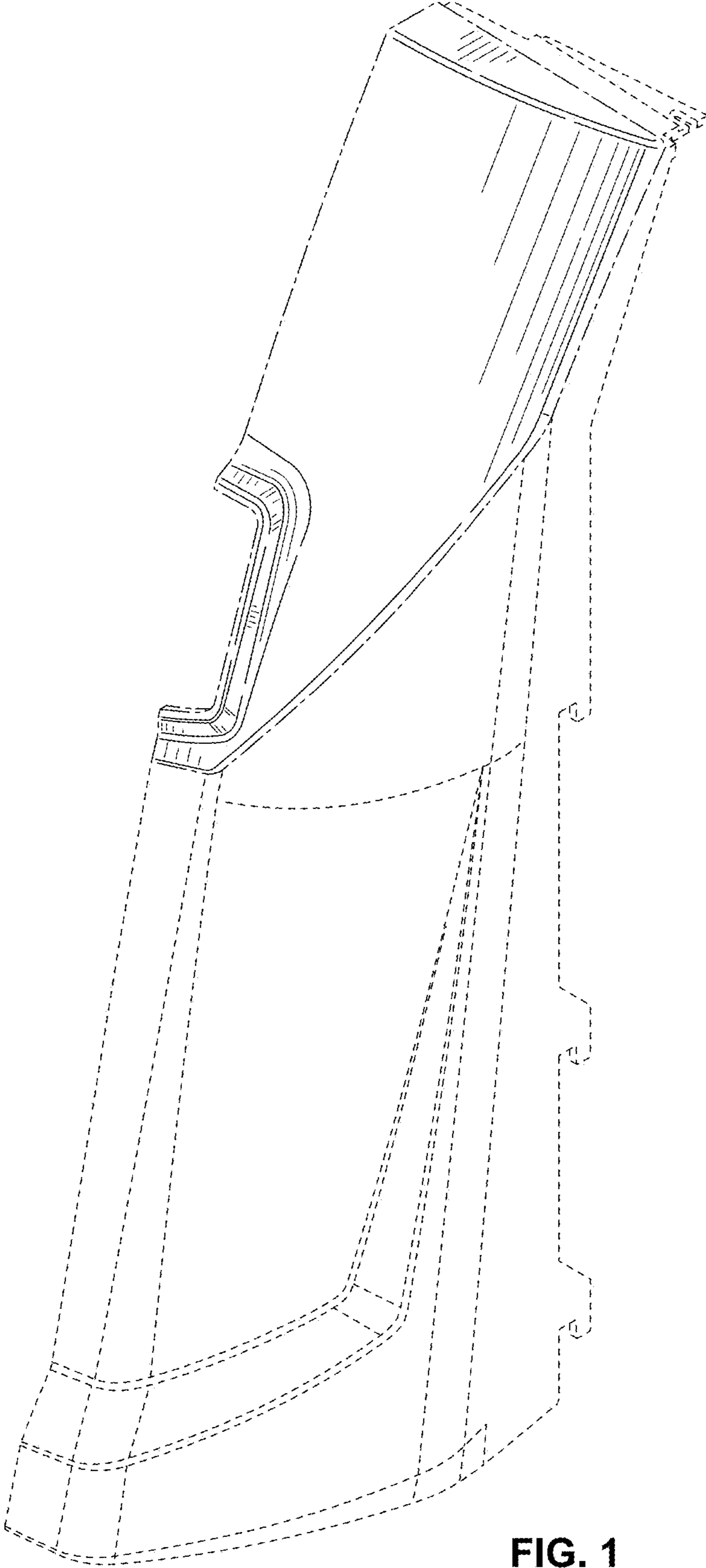


FIG. 1

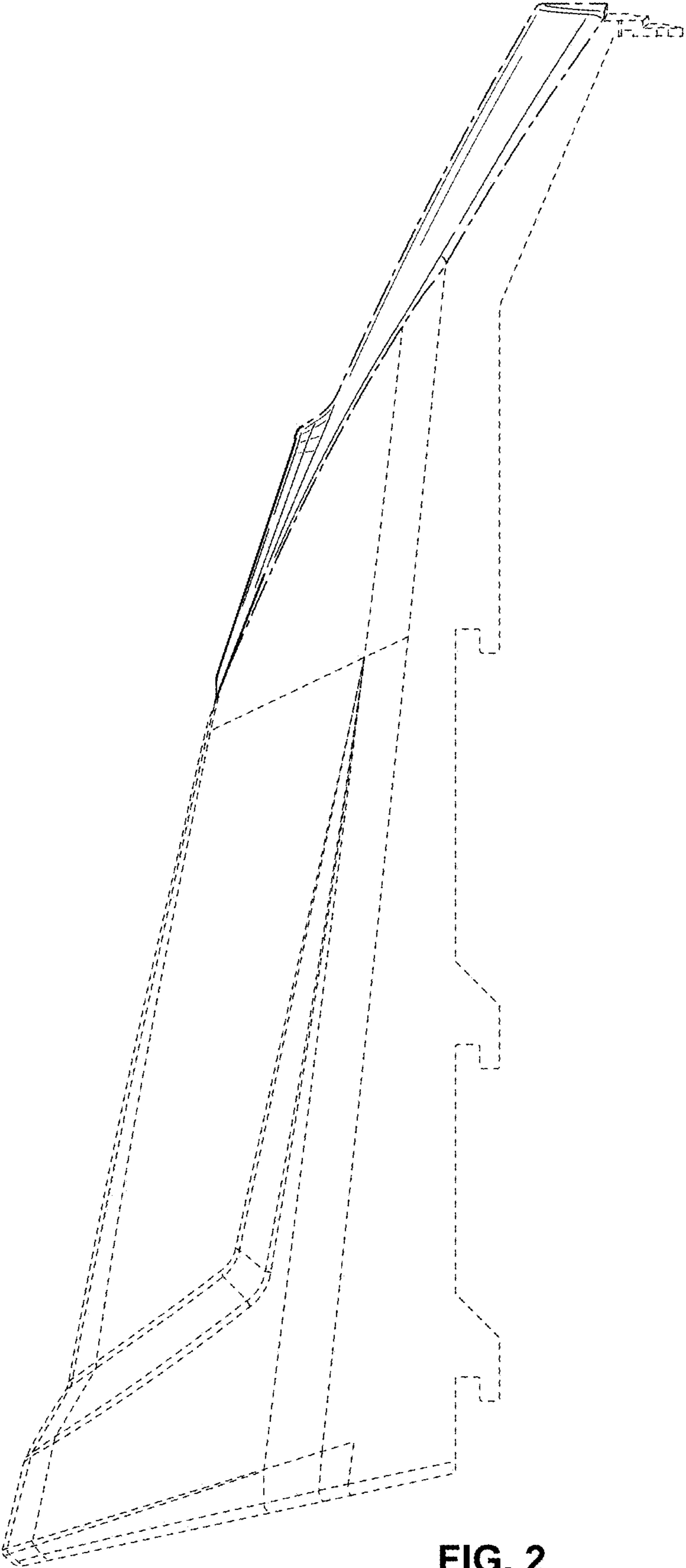


FIG. 2

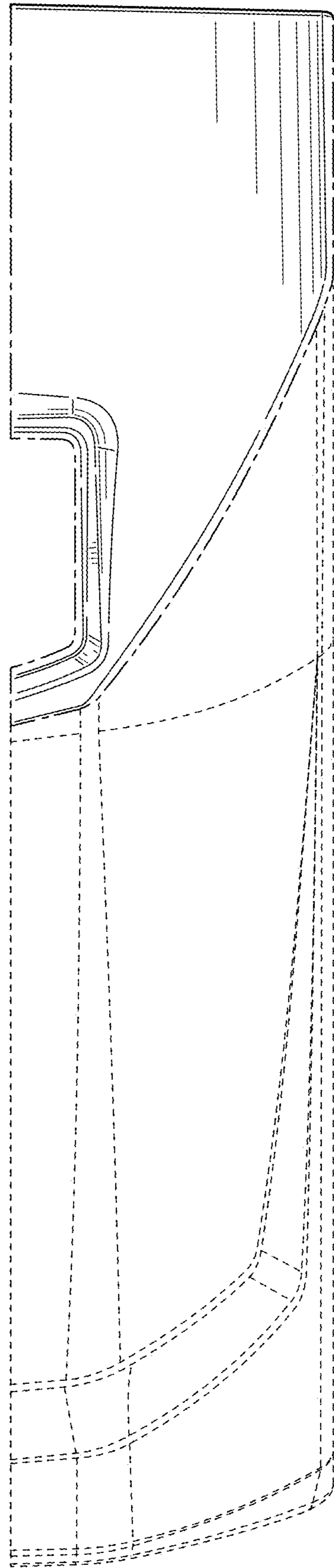


FIG. 3

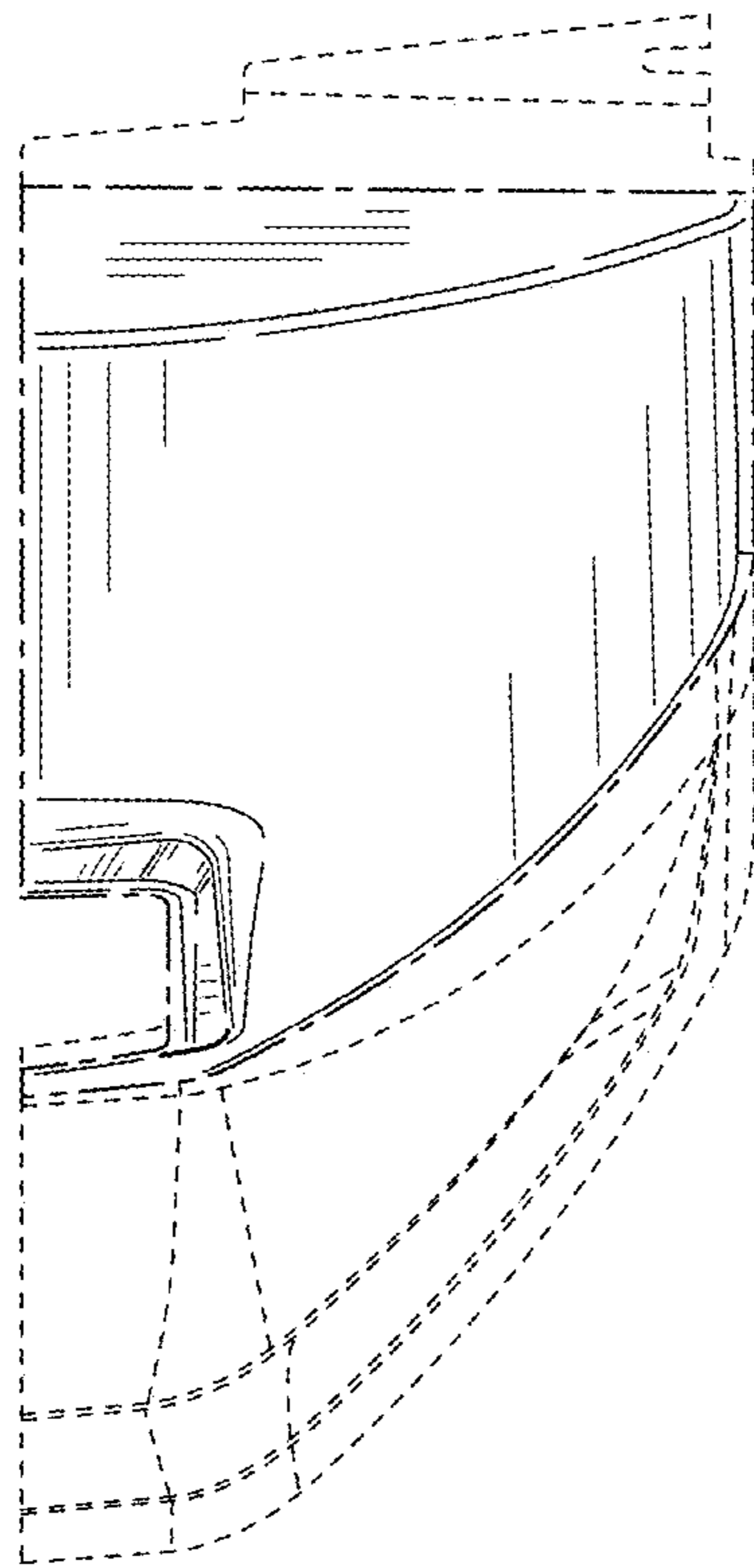


FIG. 4