



US00D934527S

(12) **United States Design Patent** (10) **Patent No.:** **US D934,527 S**
Zhao (45) **Date of Patent:** **** Oct. 26, 2021**

(54) **FISHING MAGNET**
(71) Applicant: **Huan Zhao**, Zhejiang (CN)
(72) Inventor: **Huan Zhao**, Zhejiang (CN)
(73) Assignee: **Ningbo Auto-Tech Technology Co., Ltd.**, Ningbo (CN)
(**) Term: **15 Years**
(21) Appl. No.: **29/755,647**
(22) Filed: **Oct. 21, 2020**
(51) **LOC (13) Cl.** **12-05**
(52) **U.S. Cl.**
USPC **D34/35; D22/136**
(58) **Field of Classification Search**
USPC D34/28, 33, 35; D8/14, 387; D22/136
CPC H01F 7/0257; B66C 1/00; B66C 1/04
See application file for complete search history.

6,557,429 B1 * 5/2003 Asquith B66C 1/04
335/212
6,652,012 B1 * 11/2003 Fuller B66C 1/66
294/215
6,683,521 B2 * 1/2004 Snider H01F 7/0231
294/65.5
6,854,777 B2 * 2/2005 Jung B66C 1/04
294/65.5
D542,505 S 5/2007 Alba
D769,705 S * 10/2016 Moreau D8/387
D814,257 S * 4/2018 Berndt D8/14
D816,935 S 5/2018 Maness
D852,150 S 6/2019 Turksu
D895,923 S 9/2020 Jie
(Continued)

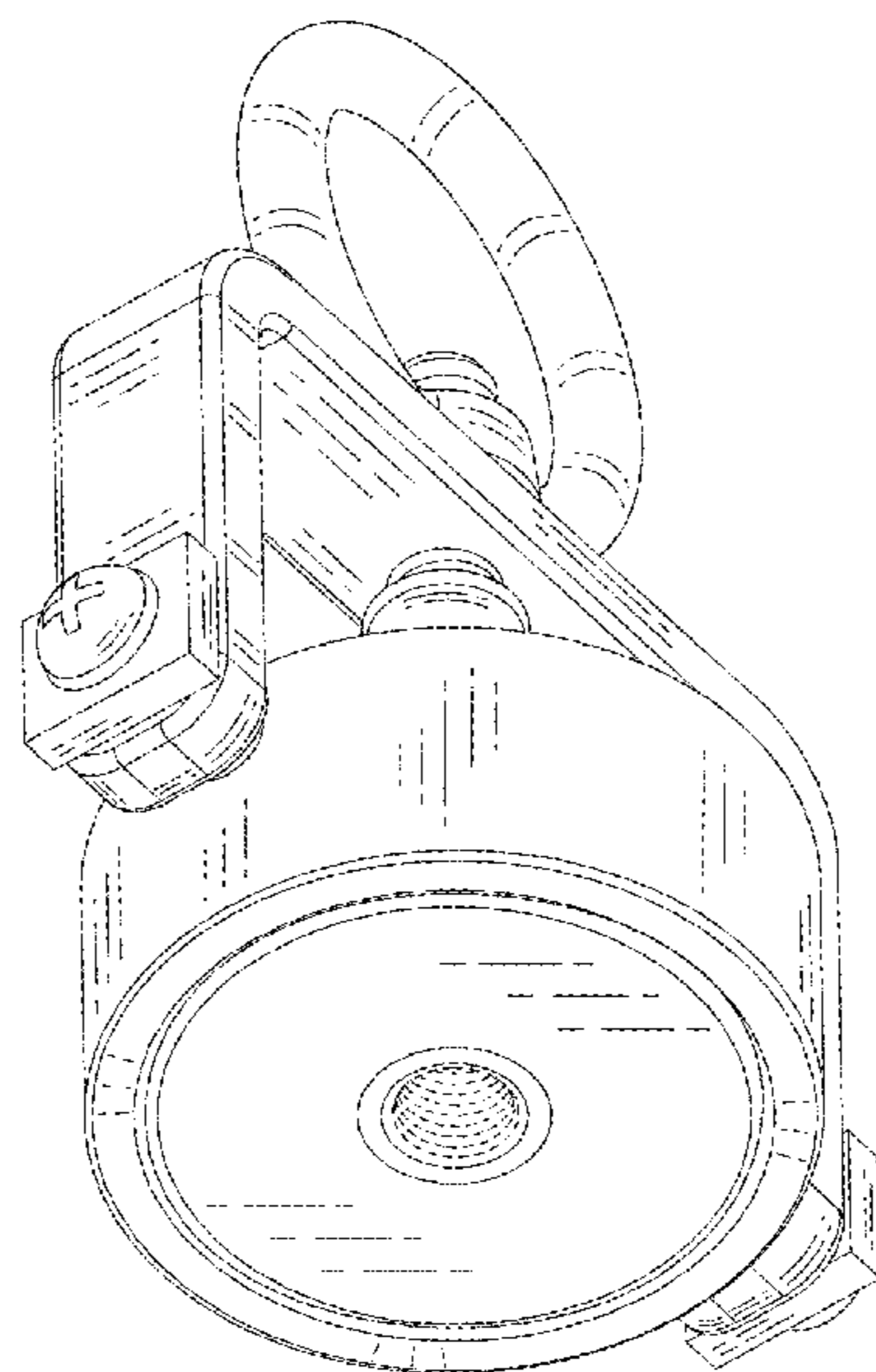
(56) **References Cited**
U.S. PATENT DOCUMENTS
4,431,352 A * 2/1984 Andrews B66C 1/66
248/499
4,802,702 A * 2/1989 Bownds A47L 13/41
294/65.5
5,248,176 A * 9/1993 Fredriksson B66C 1/66
294/215
D417,328 S * 11/1999 Kwon D34/35
6,002,317 A * 12/1999 Pignataro B23Q 3/1543
335/285
6,076,873 A * 6/2000 Jung H01F 7/04
294/65.5
6,104,271 A * 8/2000 Barrett B03C 1/28
335/291
D446,701 S * 8/2001 Coleman, Jr. D8/14
6,331,810 B1 * 12/2001 Jung B66C 1/04
269/8
6,443,514 B1 * 9/2002 Fuller B66C 1/66
294/215

OTHER PUBLICATIONS
King Kong Fishing Magnet, Amazon.com. First Available Jul. 23, 2019.*
(Continued)
Primary Examiner — Philip S Hyder

(57) **CLAIM**
The ornamental design for a fishing magnet, as shown and described.

DESCRIPTION
FIG. 1 is a perspective view of a fishing magnet showing my new design;
FIG. 2 is a front elevational view thereof;
FIG. 3 is a rear elevational view thereof;
FIG. 4 is a left side elevational view thereof;
FIG. 5 is a right side elevational view thereof;
FIG. 6 is a top plan view thereof;
FIG. 7 is a bottom plan view thereof; and,
FIG. 8 is another perspective view thereof.
The broken lines depict environment that form no part of the claimed design.

1 Claim, 8 Drawing Sheets



(56)

References Cited

U.S. PATENT DOCUMENTS

D908,477 S * 1/2021 Liu D8/387
2014/0037418 A1 * 2/2014 Syrowik H01F 7/0257
414/800

OTHER PUBLICATIONS

625 Lb Fishing Magnet, Amazon.com. First Available Dec. 10,
2019.*

* cited by examiner

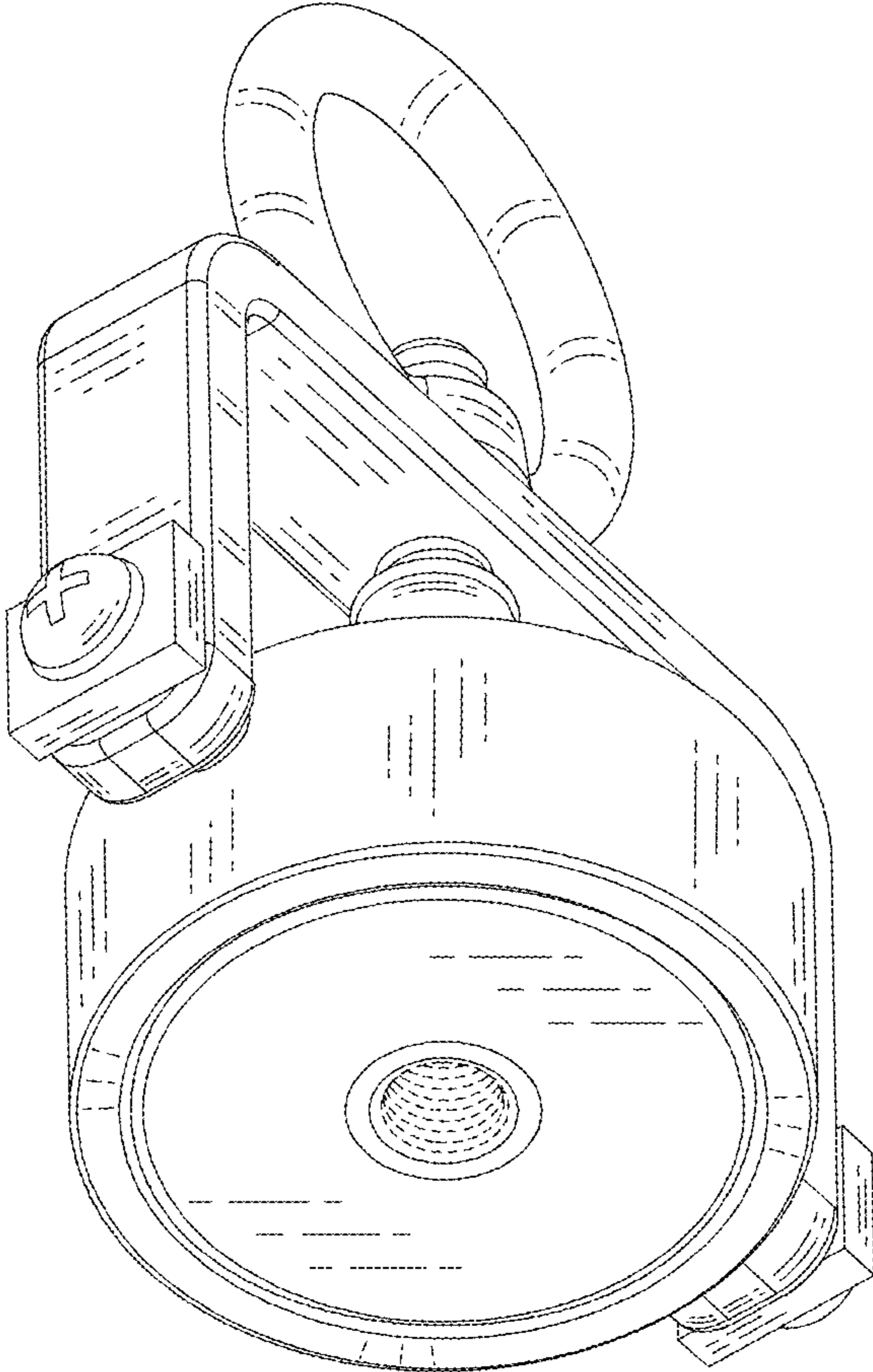


FIG.1

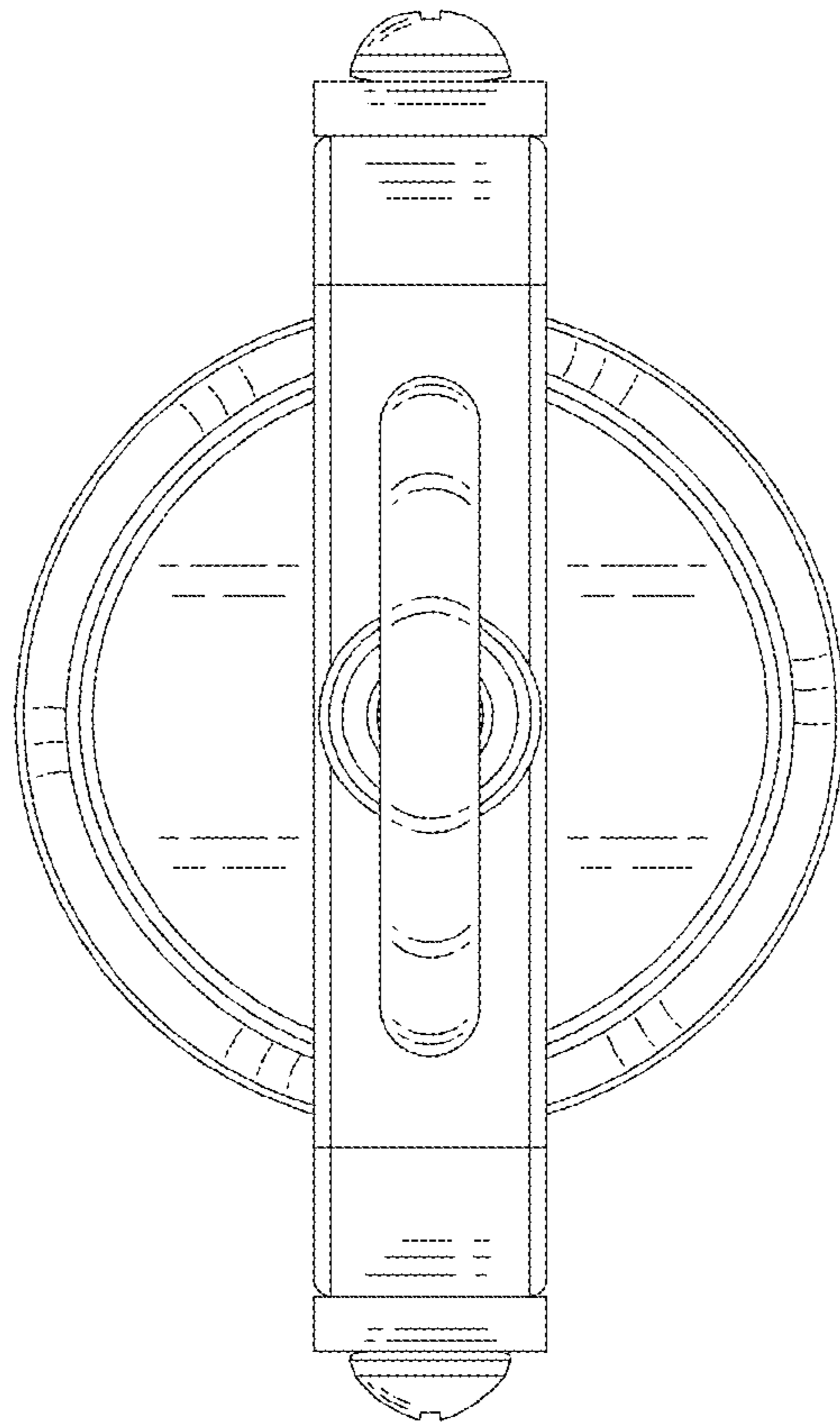


FIG.2

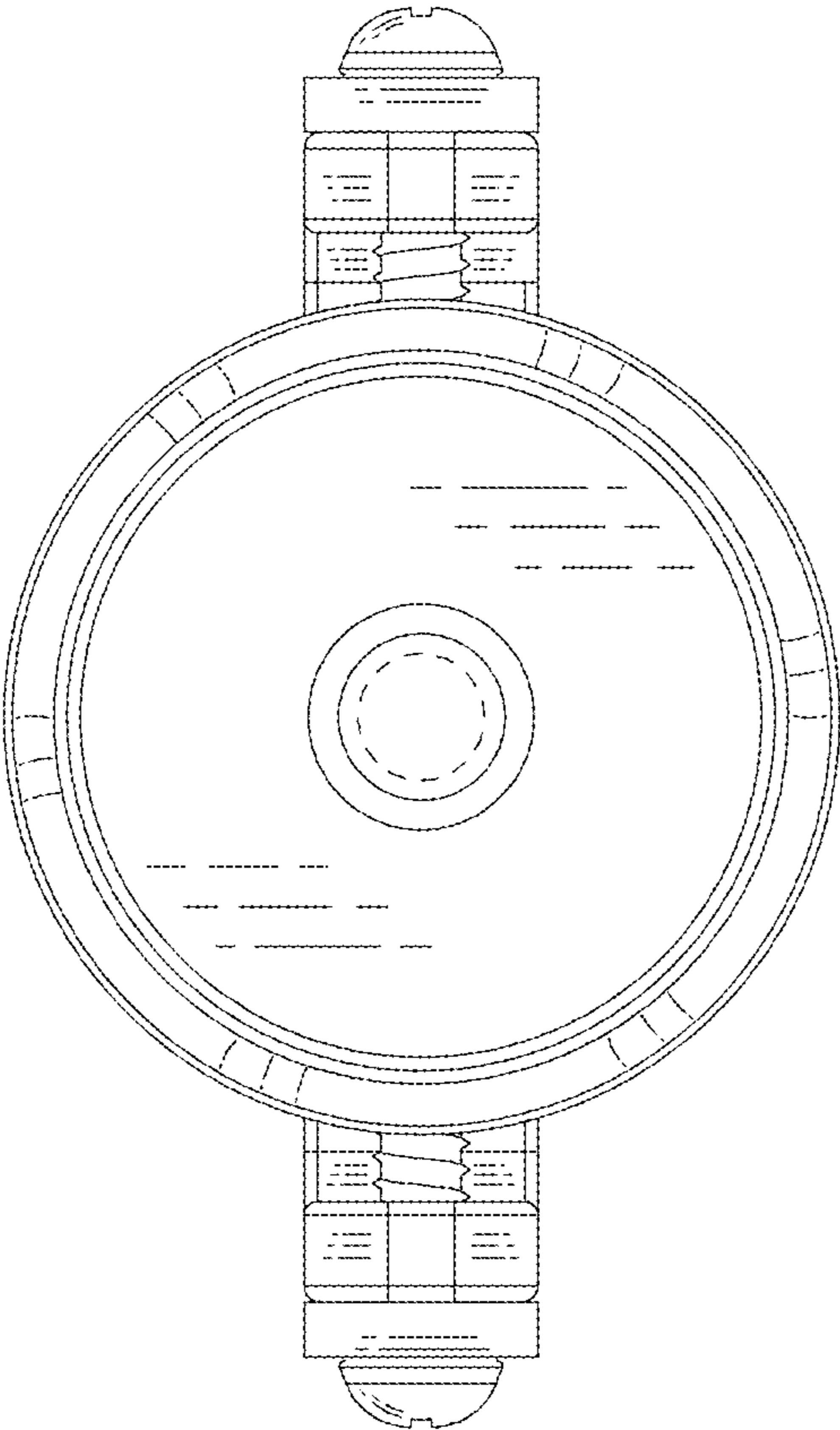


FIG.3

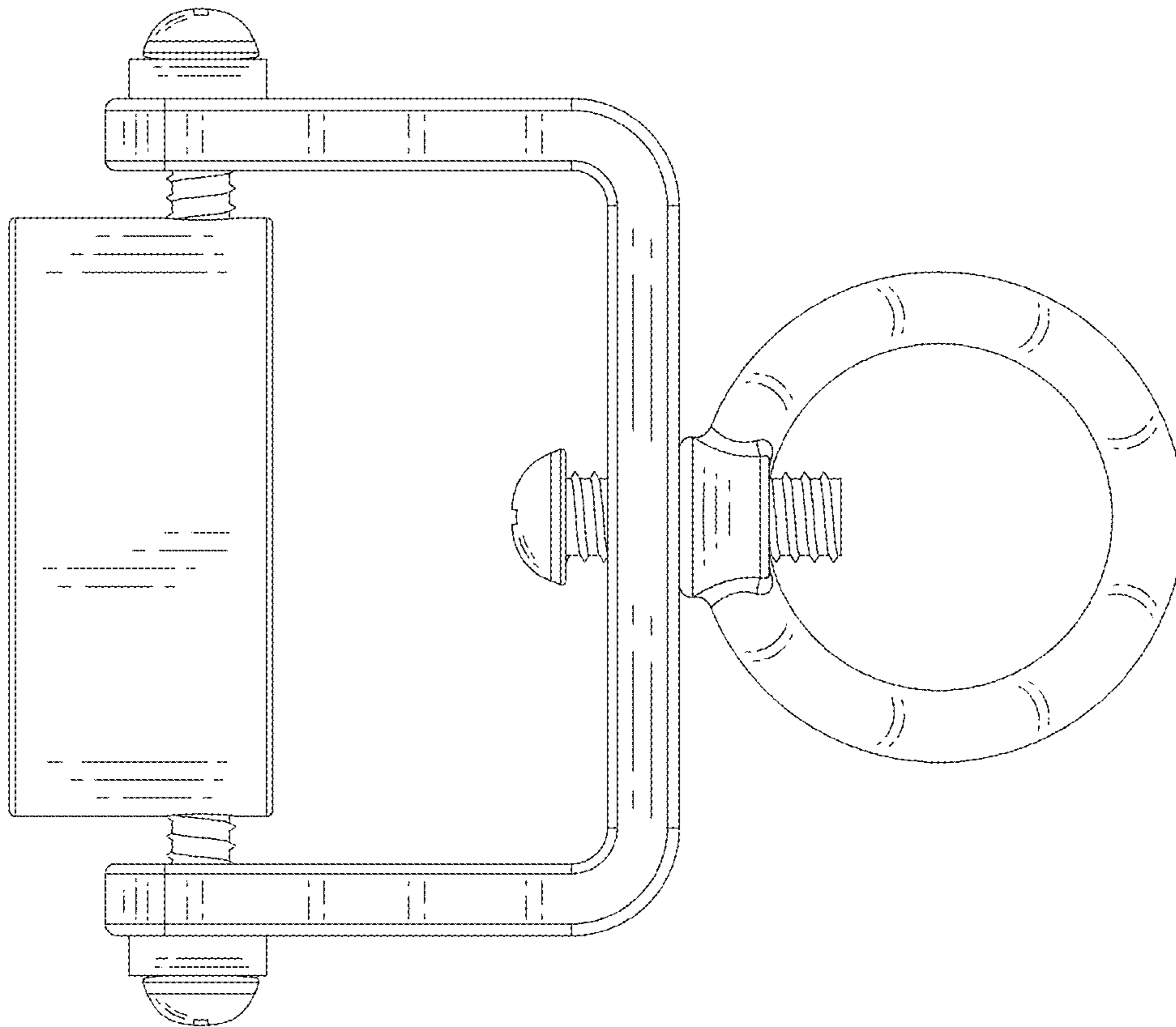


FIG.4

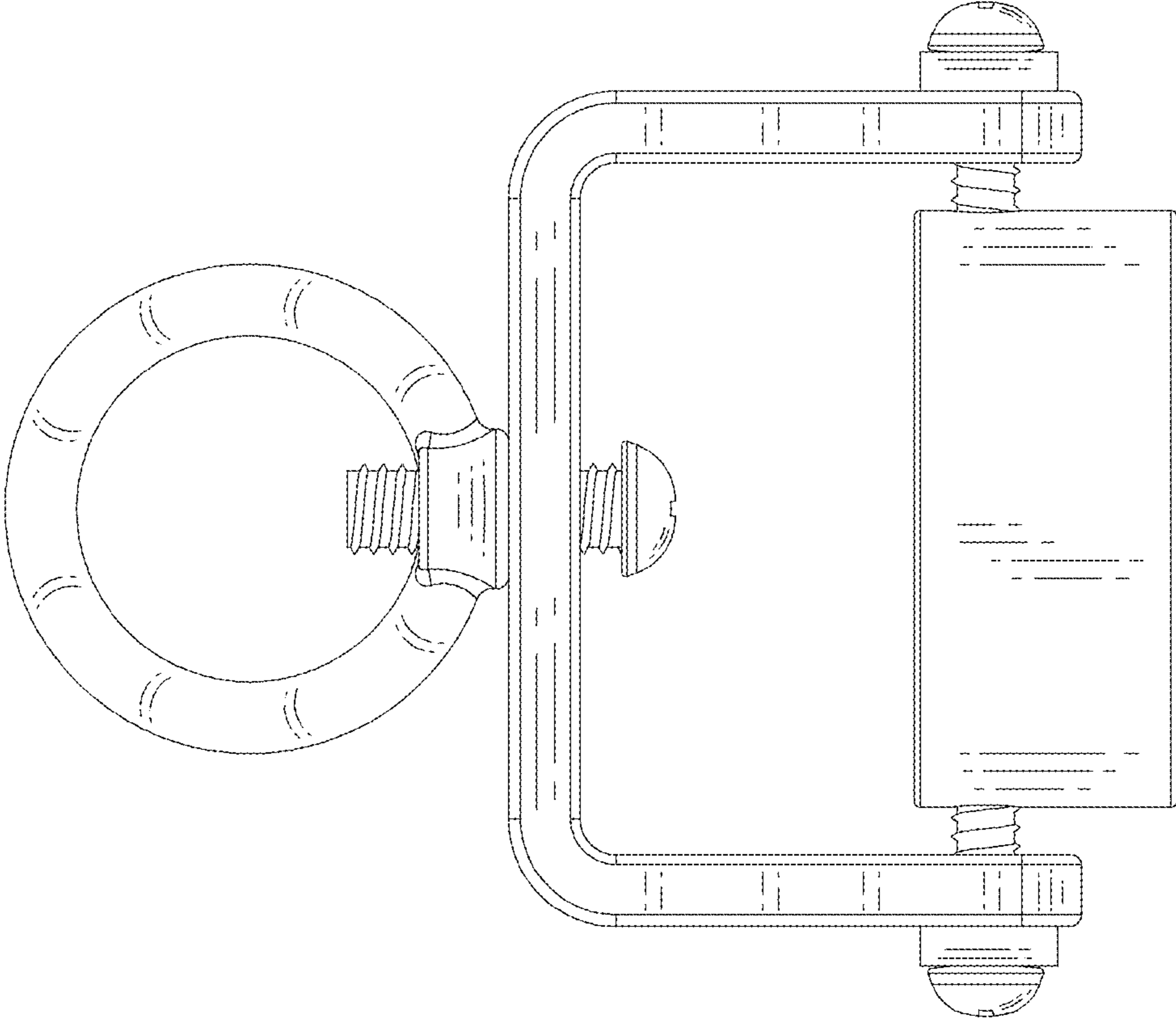


FIG.5

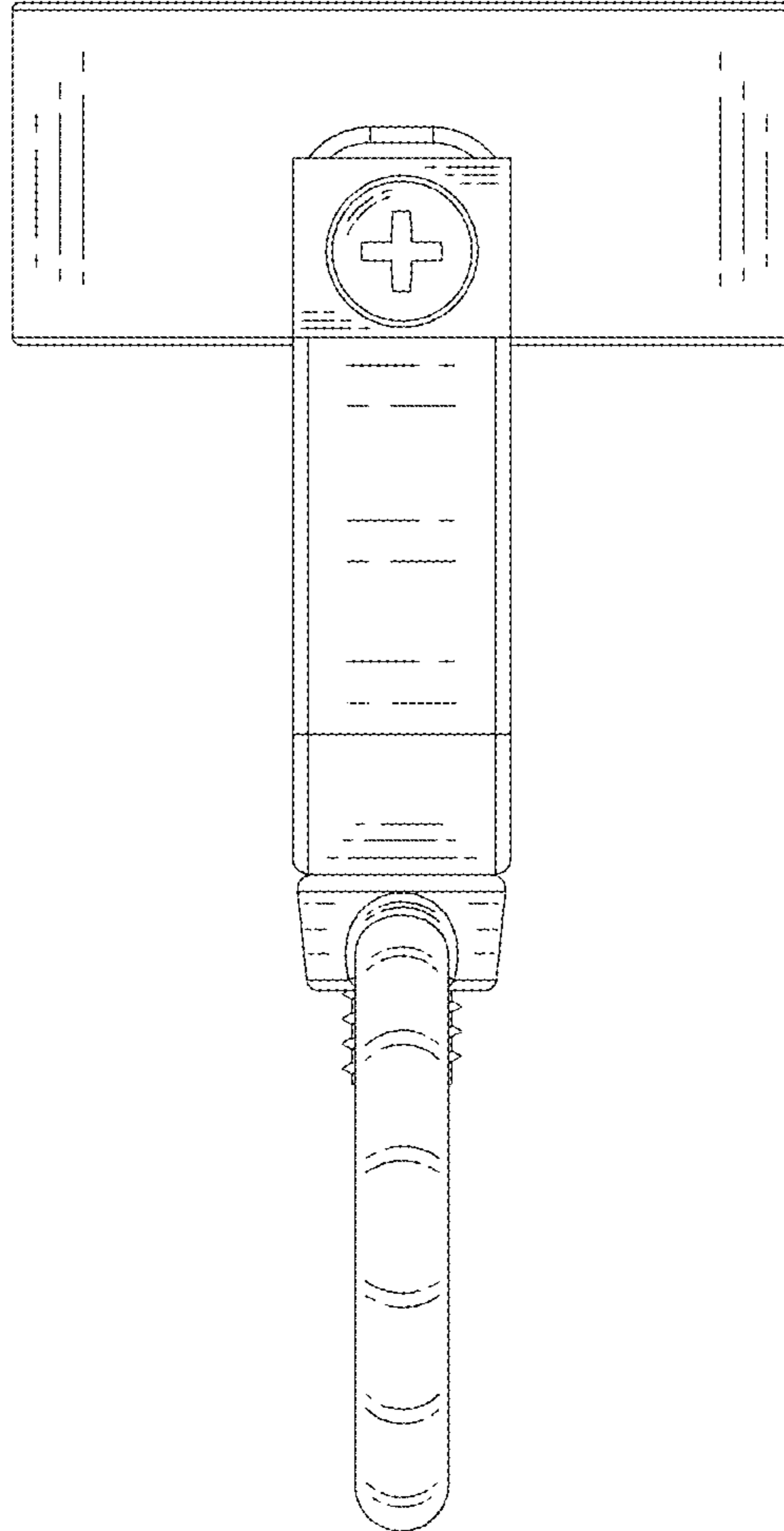


FIG.6

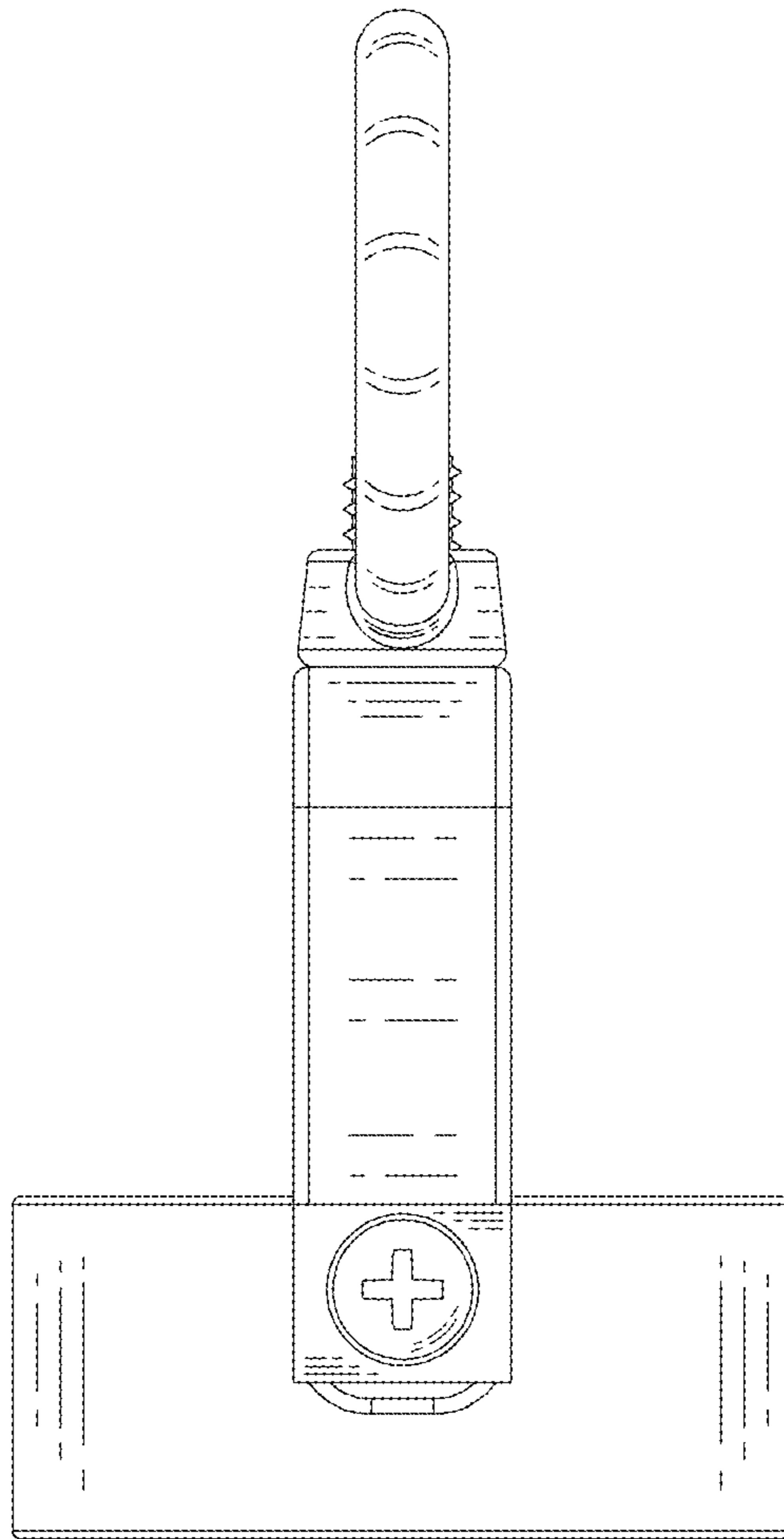


FIG. 7

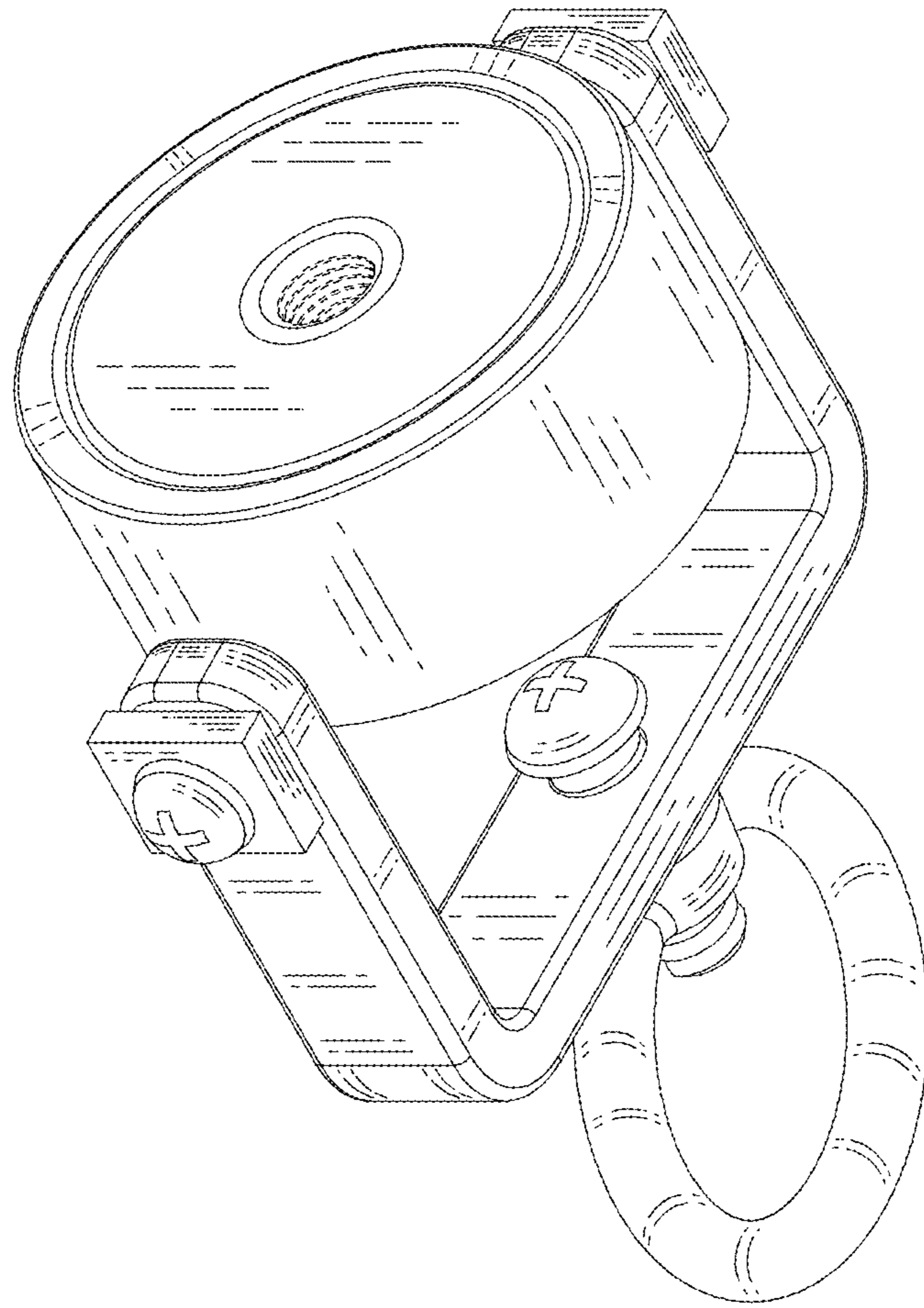


FIG.8